



US00D585916S

(12) **United States Design Patent**
Greenleaf

(10) **Patent No.:** **US D585,916 S**

(45) **Date of Patent:** **** Feb. 3, 2009**

(54) **SHEDDER PIN**

(76) **Inventor:** **Richard J. Greenleaf**, 14 Ocean St.,
Manchester-by-the-Sea, MA (US) 01944

(**) **Term:** **14 Years**

(21) **Appl. No.:** **29/307,010**

(22) **Filed:** **Mar. 27, 2008**

(51) **LOC (9) Cl.** **15-09**

(52) **U.S. Cl.** **D15/128; D15/139**

(58) **Field of Classification Search** D8/70,
D8/71; D15/128, 138, 139, 140; 29/432,
29/432.1, 432.2, 738; 72/313, 324, 326-328,
72/332, 334, 335, 336, 348, 397, 404, 427,
72/432, 455, 456, 464; 83/465, 613, 627,
83/639, 681, 685, 686; 113/1 F, 121 R; 269/37,
269/40

See application file for complete search history.

(56) **References Cited**

U.S. PATENT DOCUMENTS

D24,321 S * 5/1895 Broch D15/139
D262,938 S * 2/1982 Schulze D8/70
D276,879 S * 12/1984 Bell D8/70
D293,914 S * 1/1988 Hudson D15/139
4,852,865 A * 8/1989 Edrich et al. 269/48
D328,844 S * 8/1992 Fritz D8/70
5,263,237 A * 11/1993 Gallant et al. 29/402.06
D355,428 S * 2/1995 Hatcher D15/139

D358,082 S * 5/1995 Trezza D8/70
D376,084 S * 12/1996 Karvinen D8/70
5,682,782 A * 11/1997 Rosene et al. 72/179
D392,985 S * 3/1998 Williams D15/140
D401,828 S * 12/1998 Schneider D8/70
D410,367 S * 6/1999 Applegate et al. D8/27
D476,873 S * 7/2003 Carroll D8/70
D530,729 S * 10/2006 Cook D15/140

* cited by examiner

Primary Examiner—Sandra Snapp

Assistant Examiner—Patricia Palasik

(74) *Attorney, Agent, or Firm*—Don Halgren

(57) **CLAIM**

The ornamental design for a shedder pin, as shown and described.

DESCRIPTION

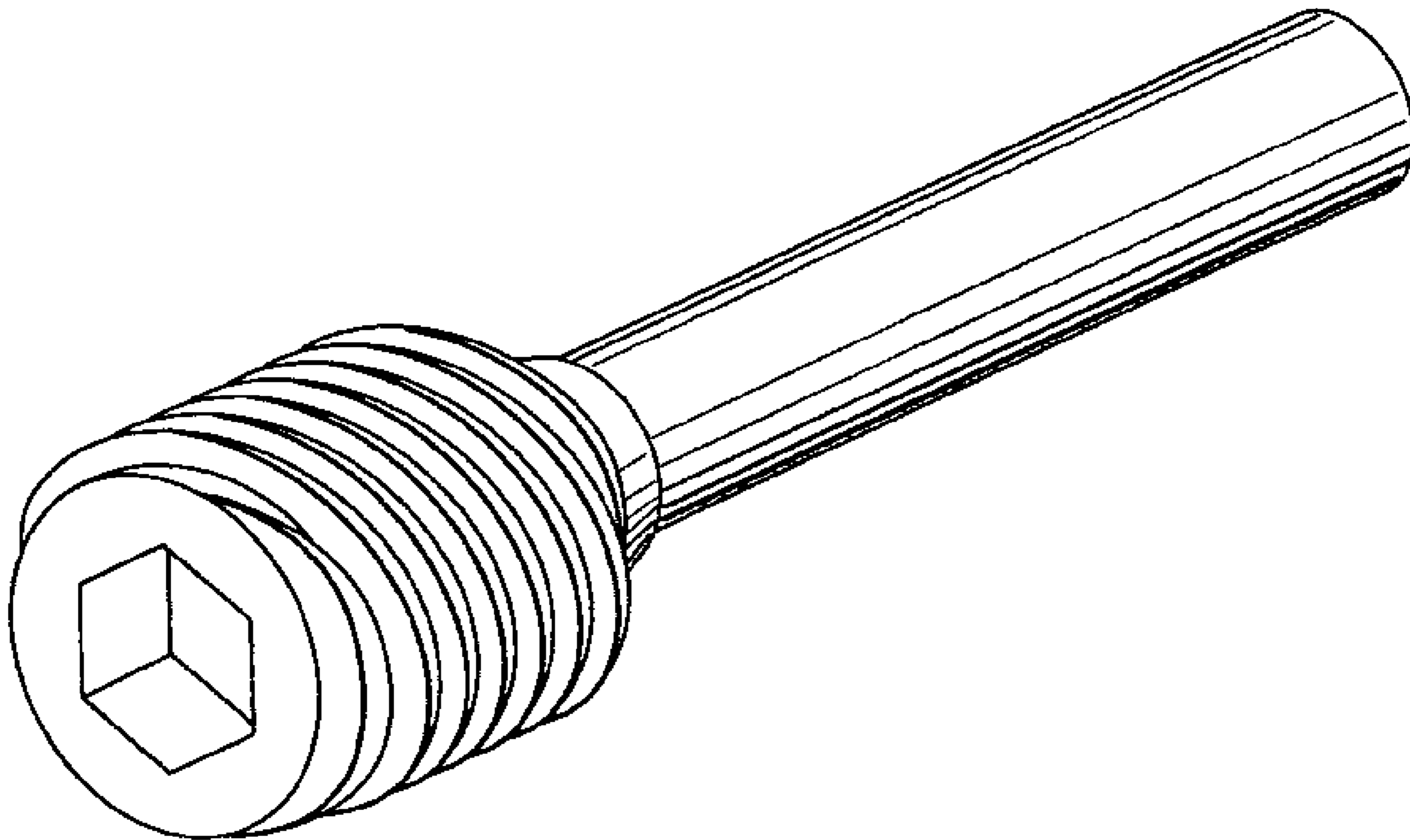
FIG. 1 is a perspective view of the shedder pin of the present invention, looking angularly towards a back end thereof;

FIG. 2 is a side elevational view of the shedder pin of the present invention, which side view is common to all sides of said design;

FIG. 3 is a top end or plan view of the shedder pin of the present invention; and,

FIG. 4 is a view of the bottom or back end of the shedder pin of the present invention.

1 Claim, 3 Drawing Sheets



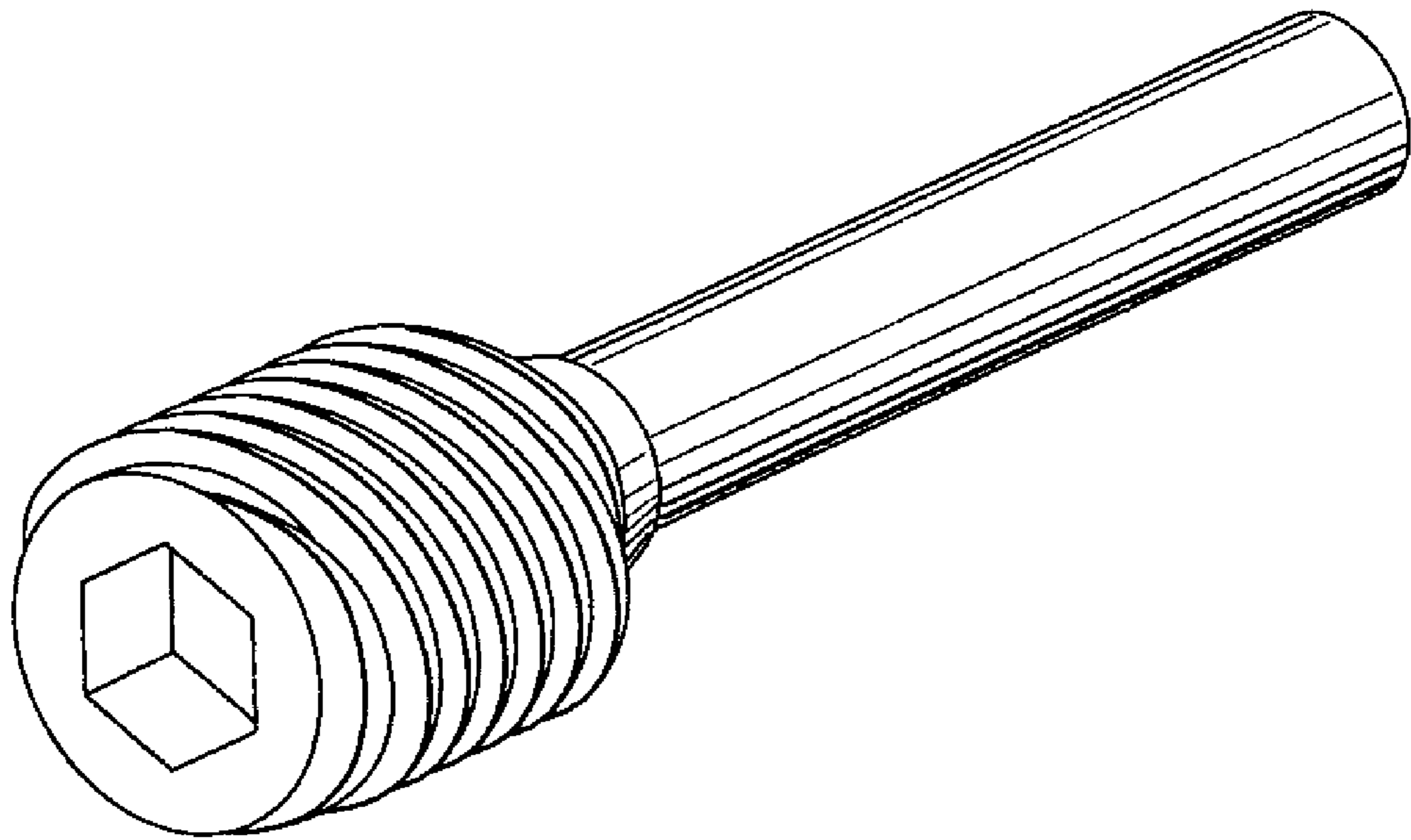


Fig. 1

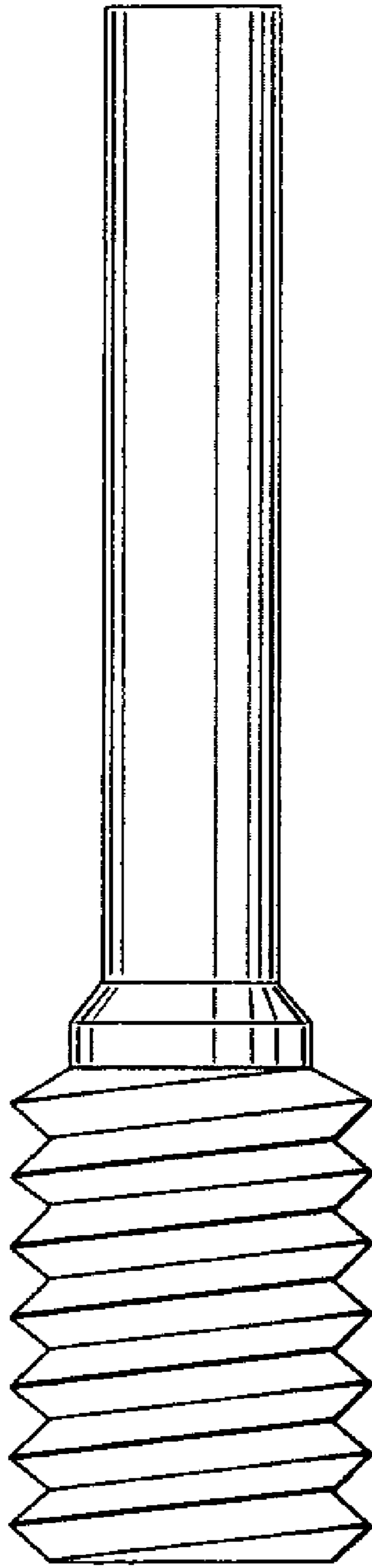


Fig. 2

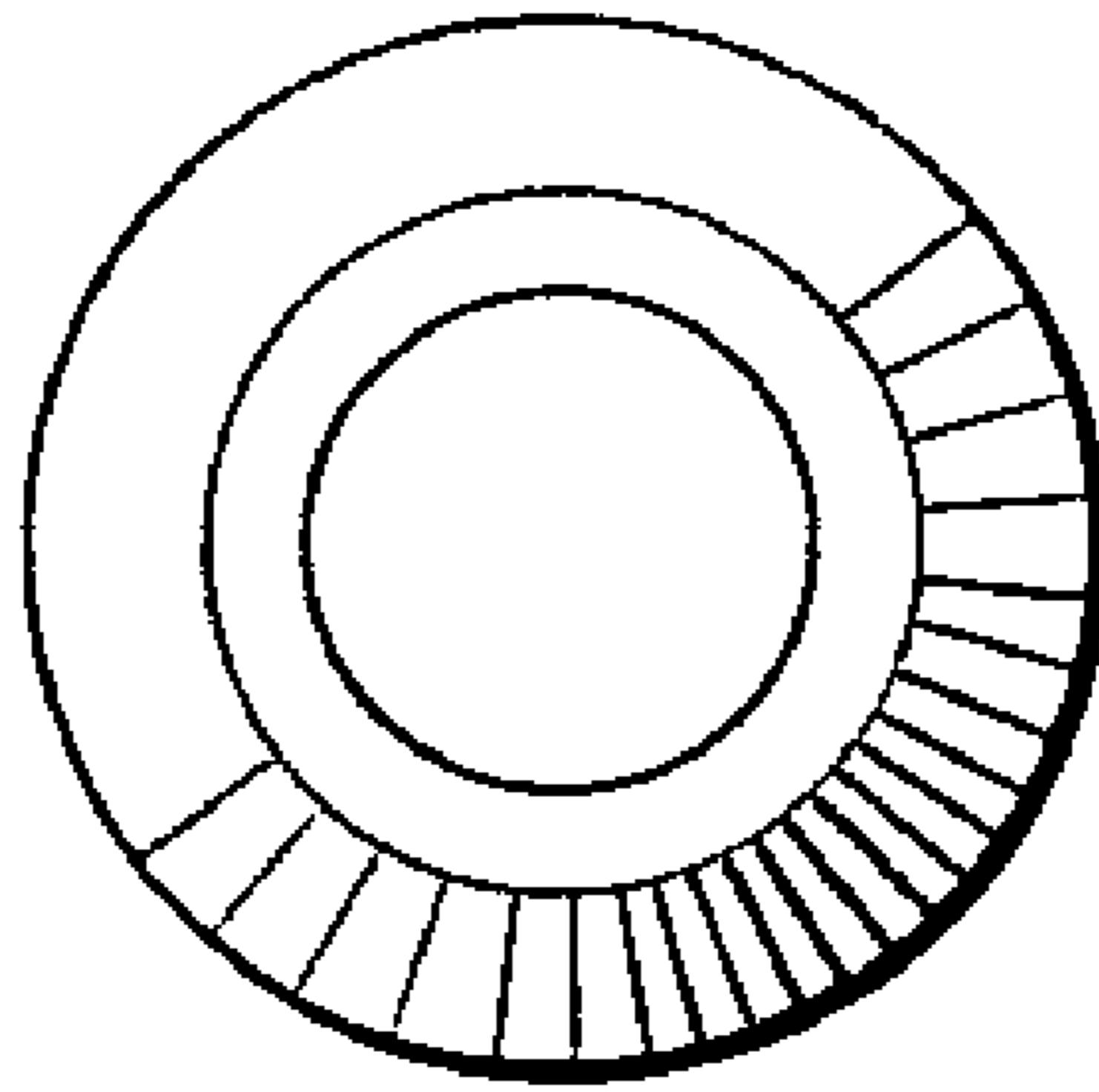


Fig. 3

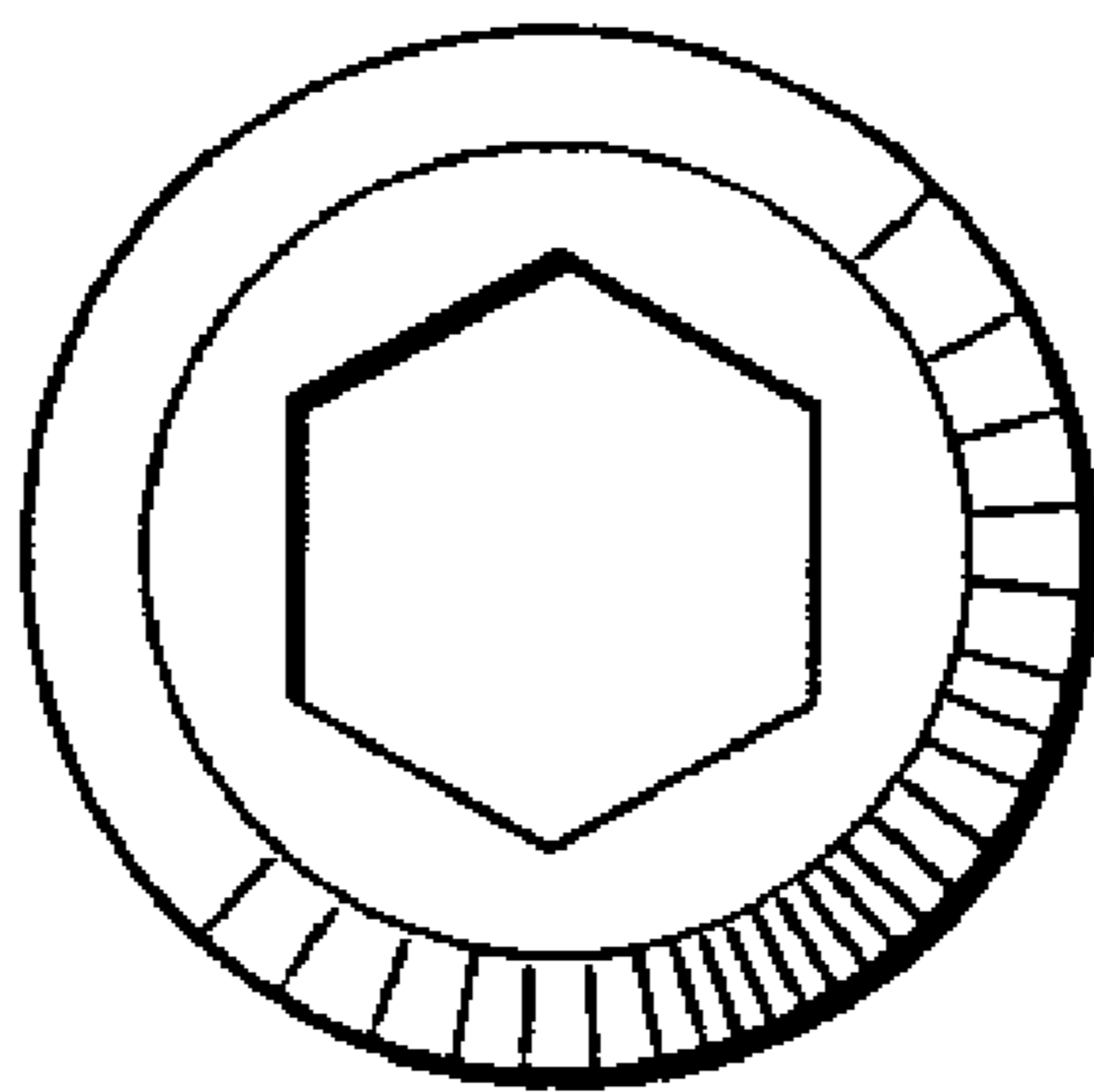


Fig. 4