



US00D585912S

(12) **United States Design Patent**
Meehan

(10) **Patent No.:** **US D585,912 S**
(45) **Date of Patent:** **** Feb. 3, 2009**

(54) **COMBINED REFRIGERATOR AND STAND**

(75) Inventor: **Thomas P. Meehan**, Edina, MN (US)

(73) Assignee: **Creative Refrigeration Devices, Ltd.**, Hopkins, MN (US)

(**) Term: **14 Years**

(21) Appl. No.: **29/319,807**

(22) Filed: **Jun. 16, 2008**

(51) **LOC (9) Cl.** **15-06**

(52) **U.S. Cl.** **D15/81**

(58) **Field of Classification Search** D15/79,
D15/81, 85, 88; D6/301, 326, 396, 397,
D6/470-474; 62/331, 371, 440, 467, 529,
62/531; 312/236, 352, 400-408
See application file for complete search history.

(56) **References Cited**

U.S. PATENT DOCUMENTS

D275,969 S *	10/1984	Bowers	D6/470
D299,391 S	1/1989	Meehan		
4,882,910 A	11/1989	Meehan et al.		
4,946,032 A	8/1990	Staddard et al.		
D339,941 S	10/1993	Meehan		
D349,829 S *	8/1994	Bustos	D6/470
D363,398 S *	10/1995	Branz et al.	D6/472
D368,271 S *	3/1996	Montgomery	D15/85
D377,800 S *	2/1997	Branz et al.	D15/85
D392,295 S *	3/1998	Johnson	D15/81

D396,048 S	7/1998	Meehan		
D439,476 S	3/2001	Mount		
D450,068 S *	11/2001	Gadrix et al.	D15/81
6,478,268 B1	11/2002	Bidwell et al.		
D466,949 S *	12/2002	Chang et al.	D15/85
D468,114 S *	1/2003	Ong	D6/301
D469,787 S *	2/2003	Wicker	D15/79
D481,400 S *	10/2003	Sintjan et al.	D15/81
D547,776 S *	7/2007	Debontridder	D15/81
D550,723 S	9/2007	Meehan		

* cited by examiner

Primary Examiner—Stella M Reid

Assistant Examiner—Shanda C Hill

(74) *Attorney, Agent, or Firm*—Haugen Law Firm PLLP

(57) **CLAIM**

The ornamental design for a combined refrigerator and stand, as shown and described.

DESCRIPTION

FIG. 1 is a front perspective view of a combined refrigerator and stand showing my new design;

FIG. 2 is a front elevation view thereof;

FIG. 3 is a rear elevation view thereof;

FIG. 4 is a side elevation view thereof;

FIG. 5 is a top plan view thereof; and,

FIG. 6 is a bottom plan elevation view thereof.

1 Claim, 4 Drawing Sheets

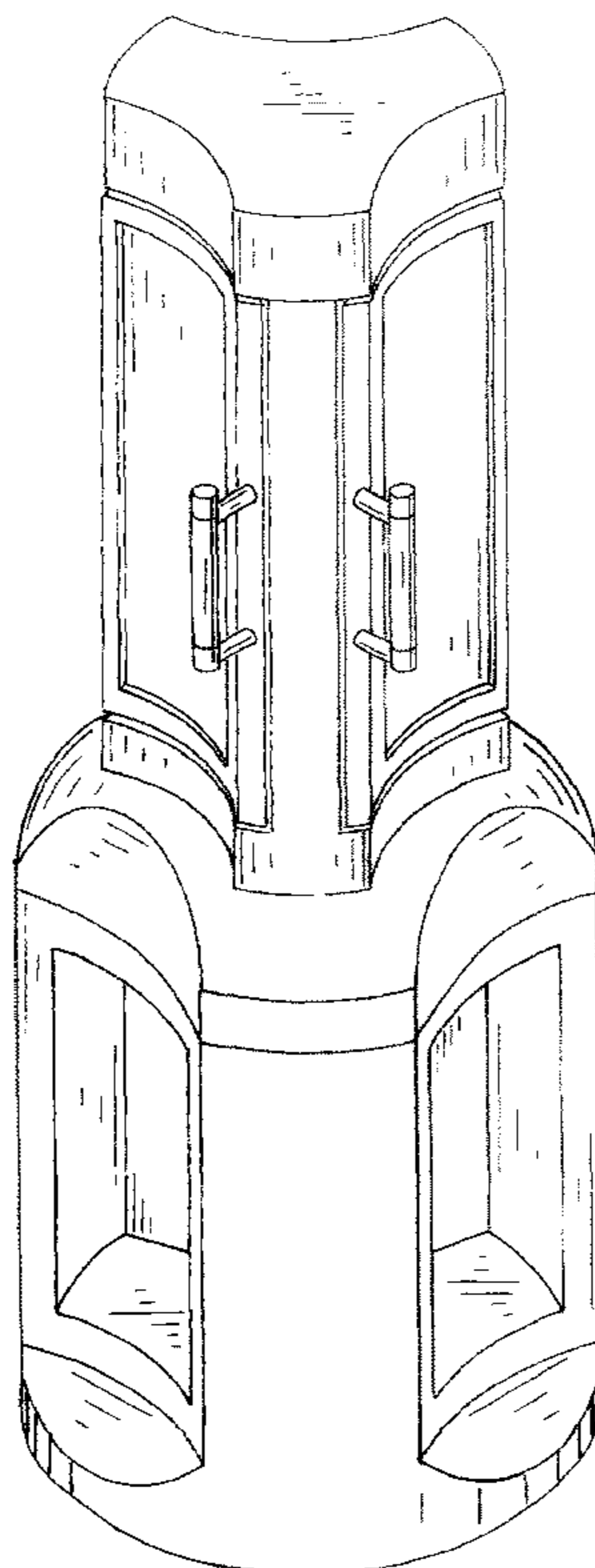


Fig.-1

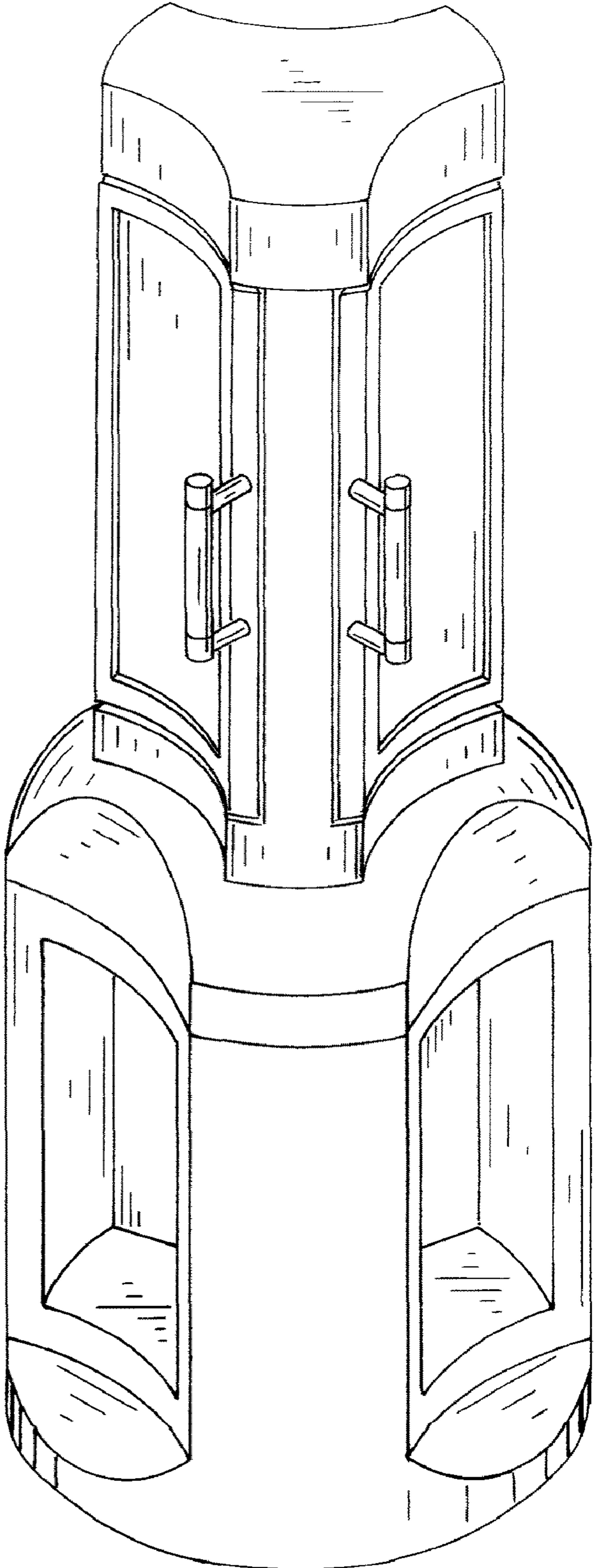


Fig.-2

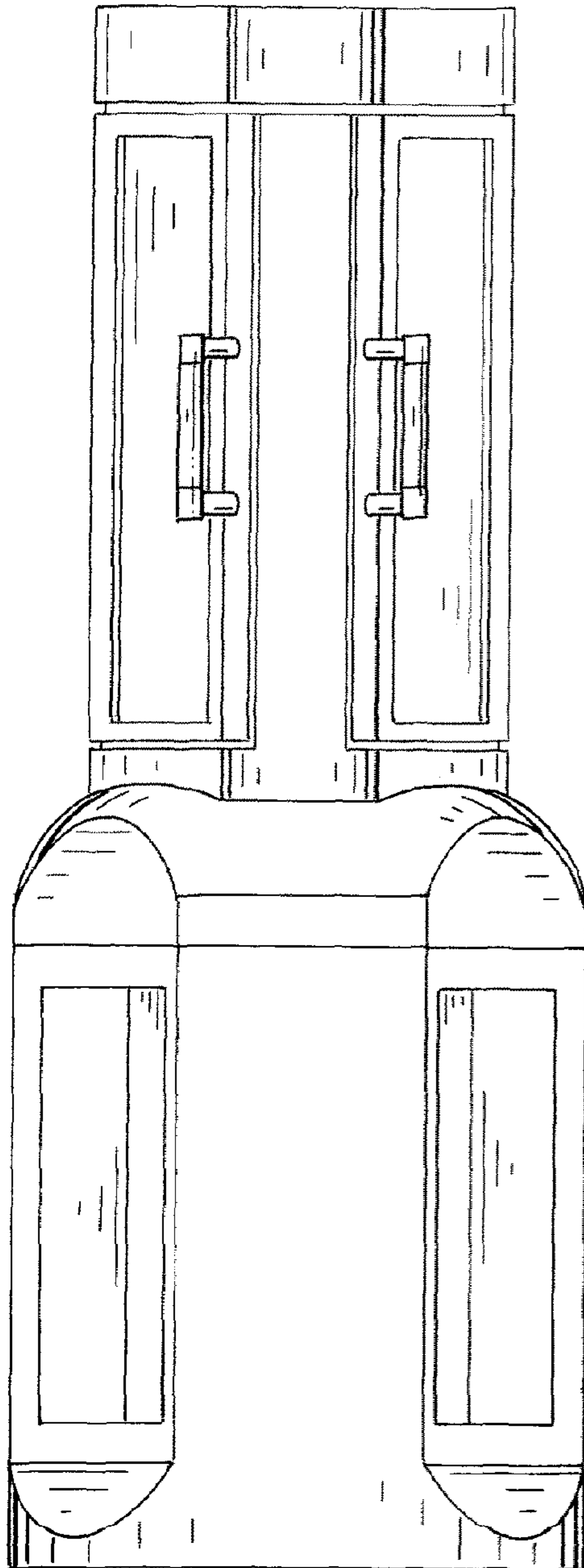


Fig.-3

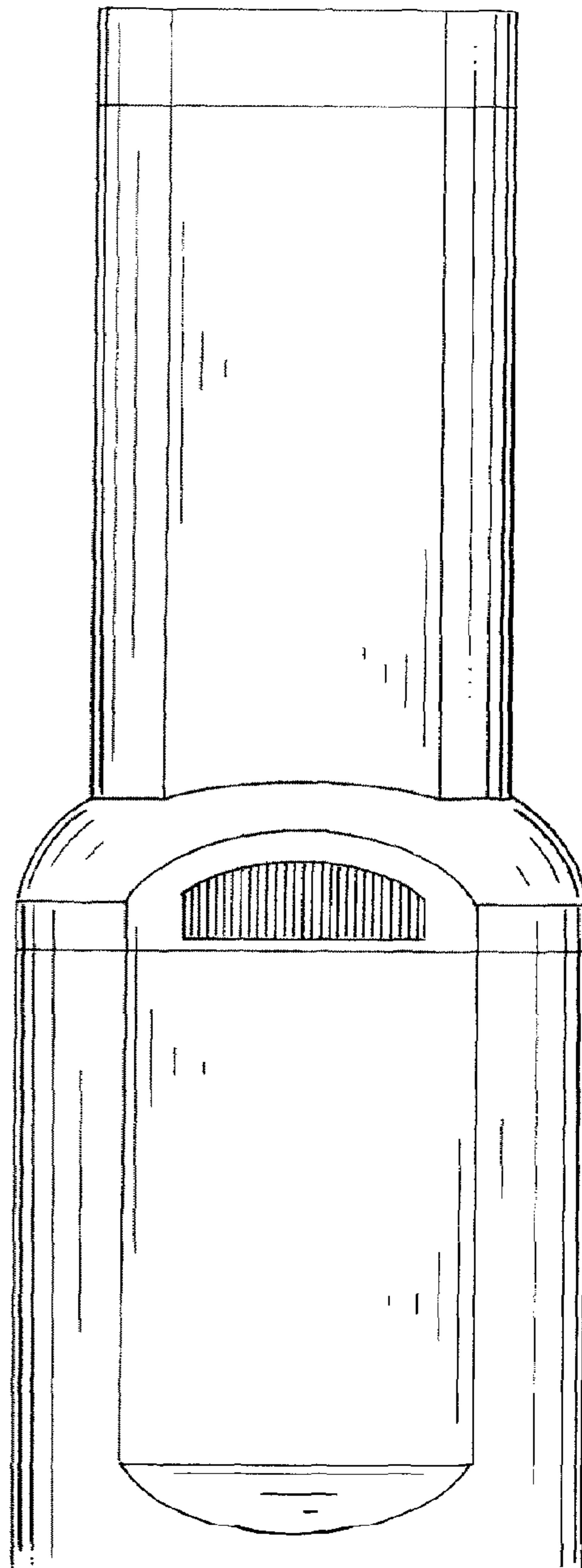


Fig.-4

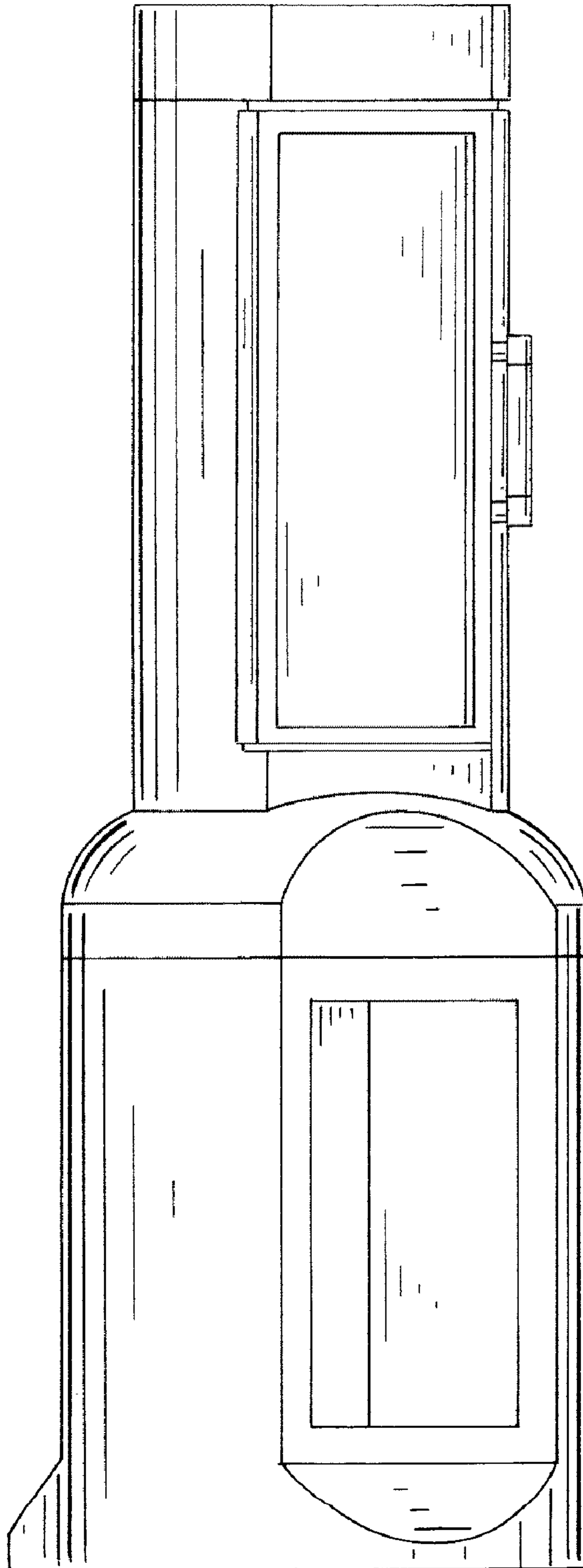


Fig.-5

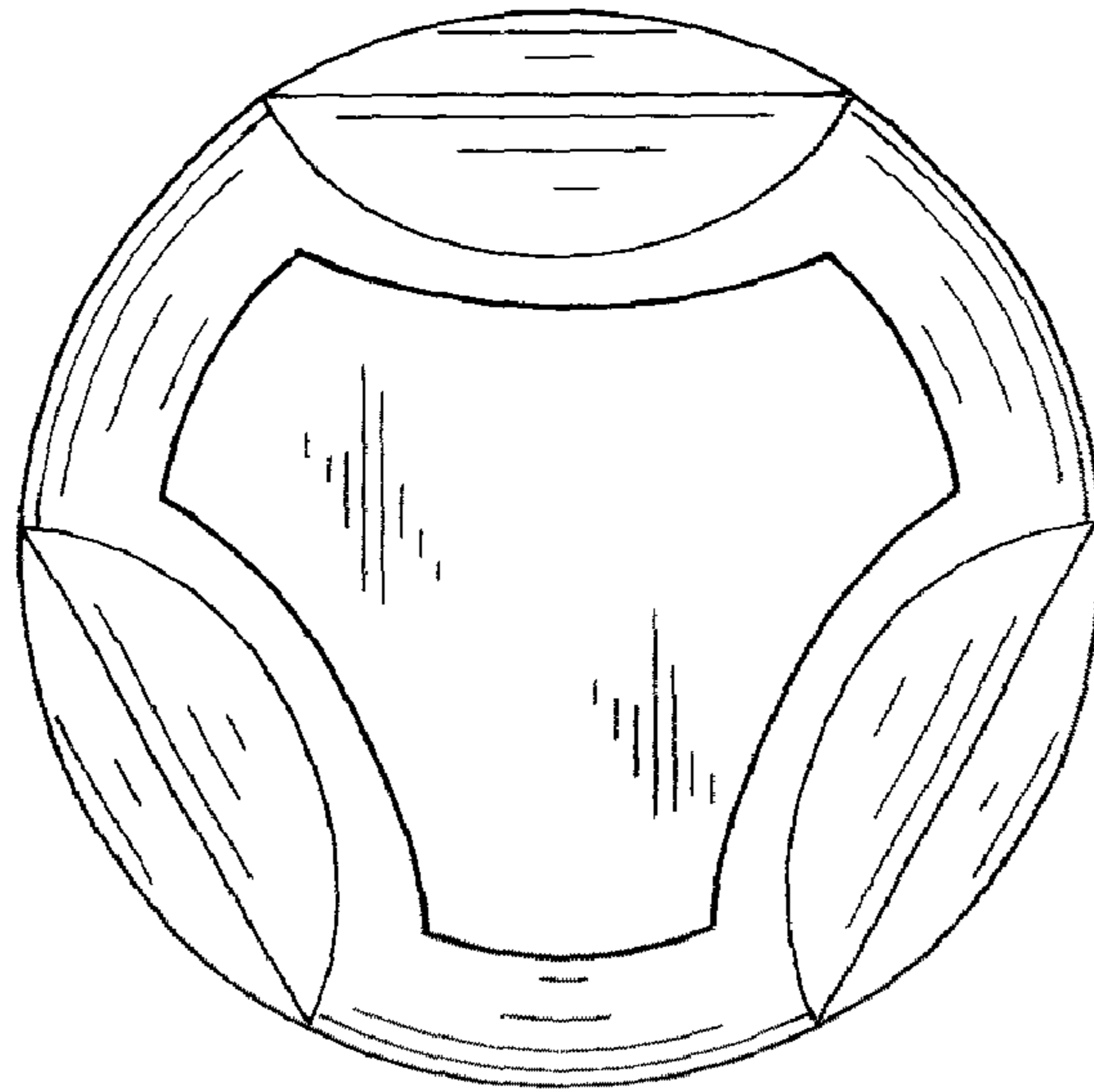


Fig.-6

