



US00D585901S

(12) **United States Design Patent**
Liu et al.

(10) **Patent No.:** **US D585,901 S**
(45) **Date of Patent:** **** Feb. 3, 2009**

(54) **FRONT BEZEL FOR A COMPUTER ENCLOSURE**

D517,078 S * 3/2006 Yu et al. D14/444
2005/0040744 A1 * 2/2005 Chen et al. 312/265.6

(75) Inventors: **Yuan-Yuan Liu**, Shenzhen (CN);
Chun-Chi Liang, Taipei Hsien (TW);
Chao-Chi Chang, Taipei Hsien (TW);
Jiing-Renn Yu, Taipei Hsien (TW);
Yun-Dong Xu, Shenzhen (CN)

* cited by examiner

Primary Examiner—Freda S Nunn
(74) *Attorney, Agent, or Firm*—Frank R. Niranjana

(73) Assignee: **Hon Hai Precision Industry Co., Ltd.**,
Tu-Cheng, Taipei-Hsien

(57) **CLAIM**

The ornamental design for a front bezel for a computer enclosure, as shown and described.

(**) Term: **14 Years**

DESCRIPTION

(21) Appl. No.: **29/297,635**

FIG. 1 is a perspective view of a front bezel for a computer enclosure showing our new design;

(22) Filed: **Nov. 15, 2007**

FIG. 2 is a front elevational view thereof;

(51) **LOC (9) Cl.** **14-02**

FIG. 3 is a left-side elevational view thereof;

(52) **U.S. Cl.** **D14/444**

FIG. 4 is a right-side elevational view thereof;

(58) **Field of Classification Search** D14/441-446;

FIG. 5 is a top plan view thereof;

D13/162, 184, 199; 312/223.2, 326, 265.6;

FIG. 6 is a bottom plan view thereof; and,

361/680-686, 690-696; D18/41; 360/92

FIG. 7 is a perspective view thereof at a using state.

See application file for complete search history.

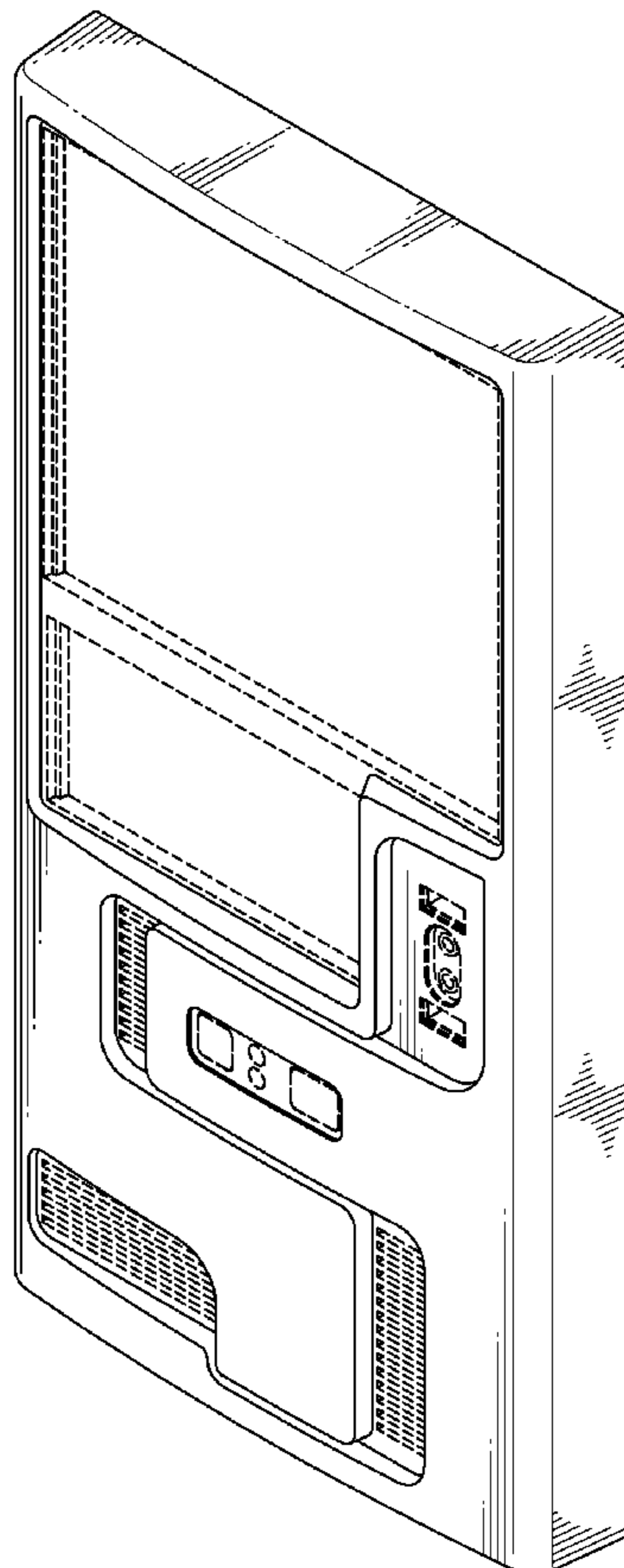
The broken lines are for illustrative purposes only and form no part of the claimed design.

(56) **References Cited**

U.S. PATENT DOCUMENTS

6,478,392 B2 * 11/2002 Gan et al. 312/326

1 Claim, 7 Drawing Sheets



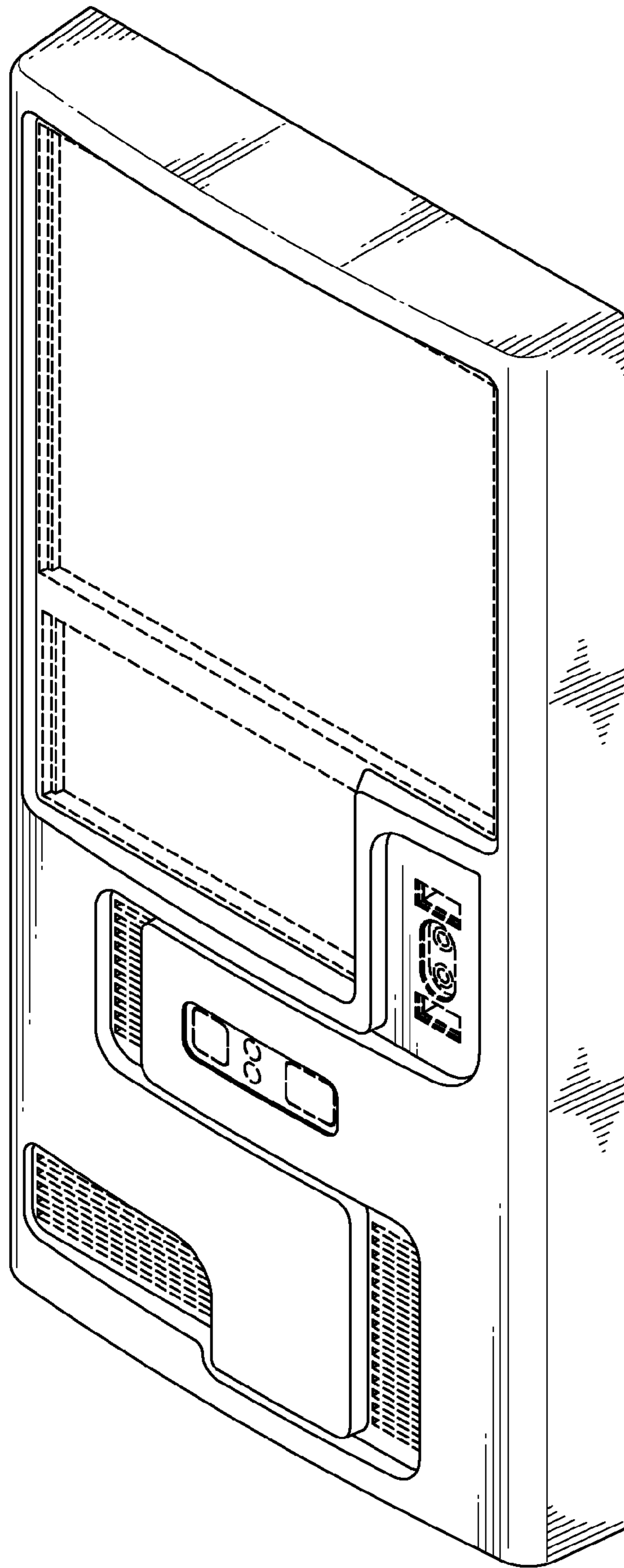


FIG. 1

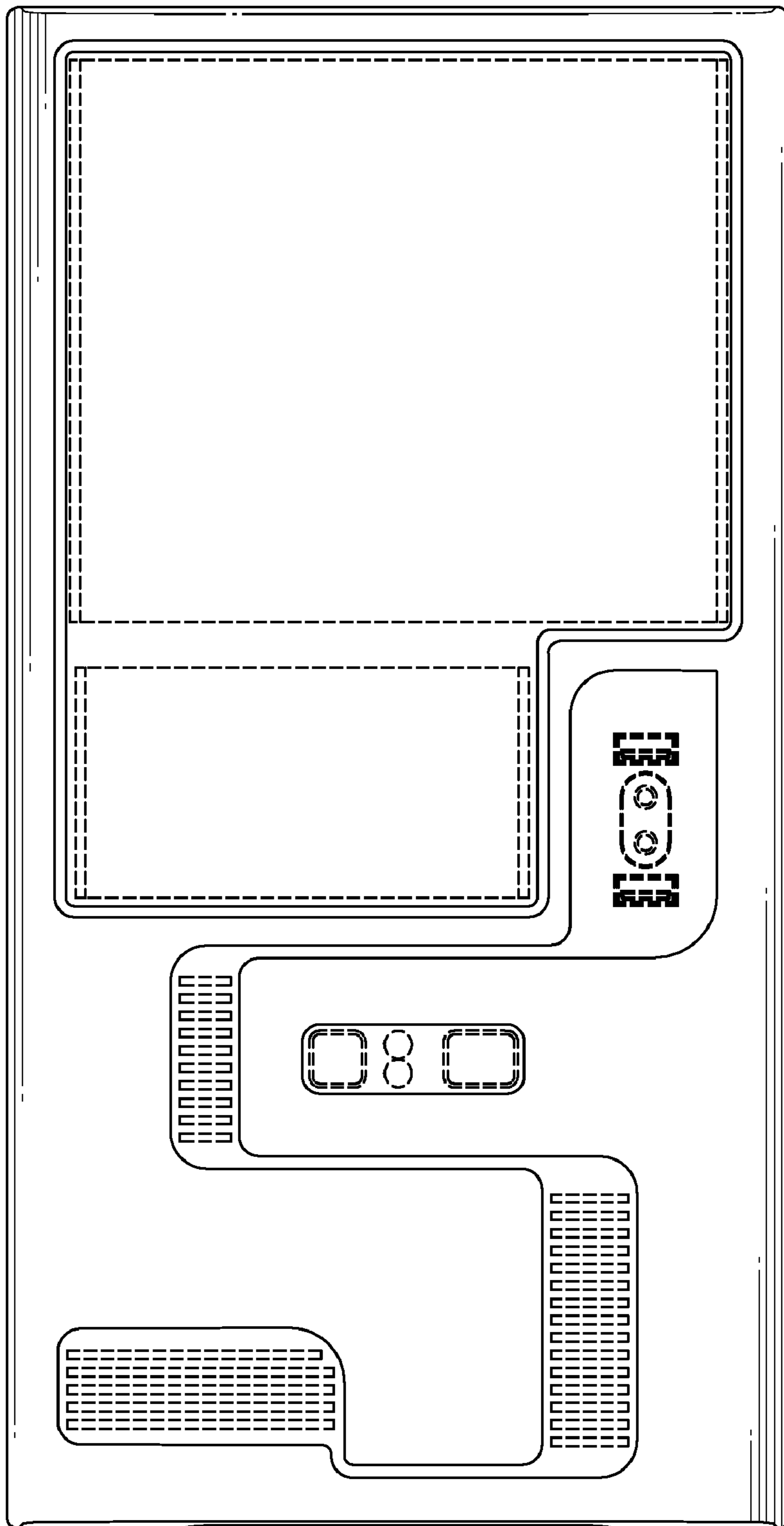


FIG. 2

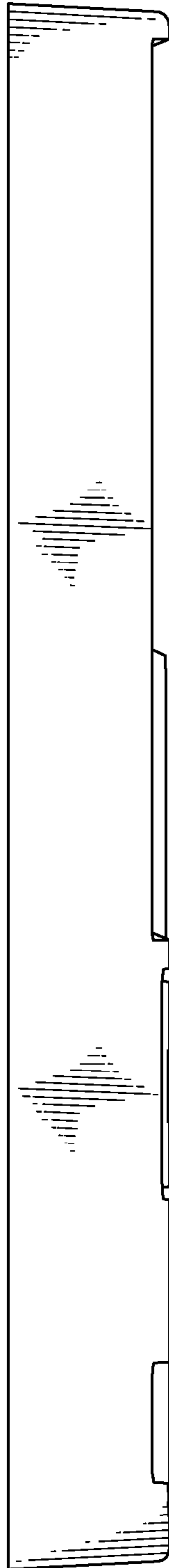


FIG. 3

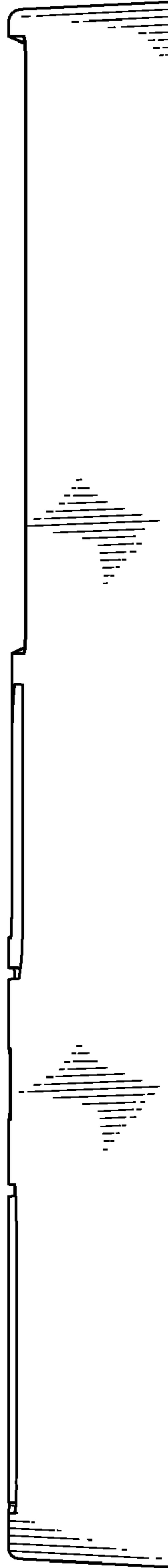


FIG. 4

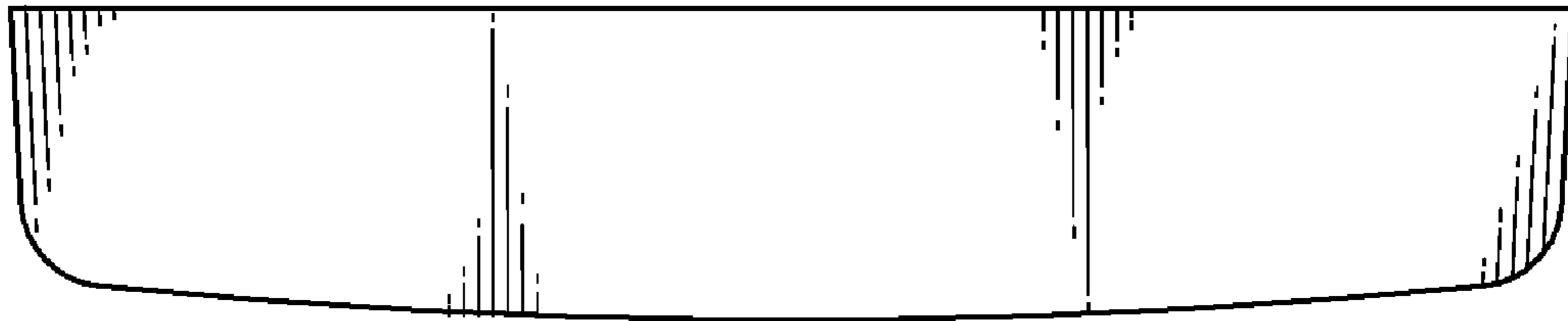


FIG. 5

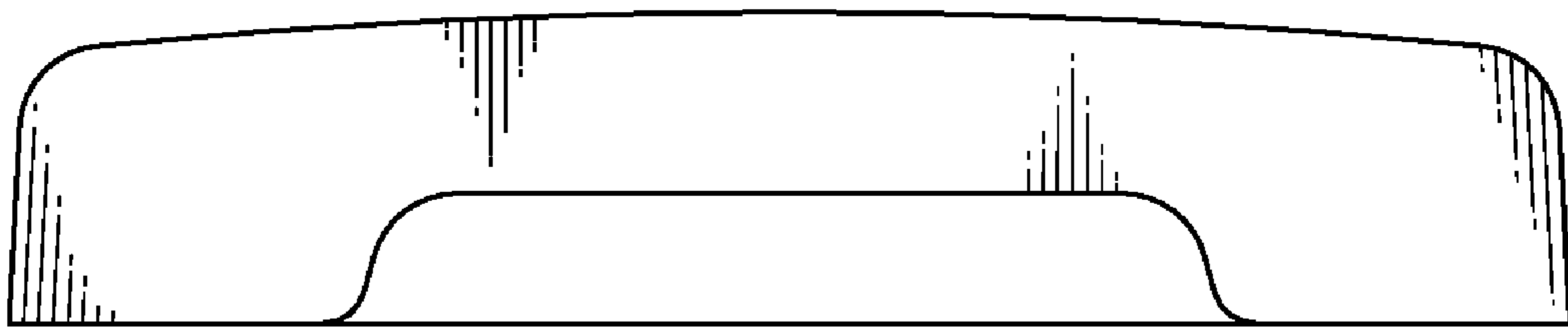


FIG. 6

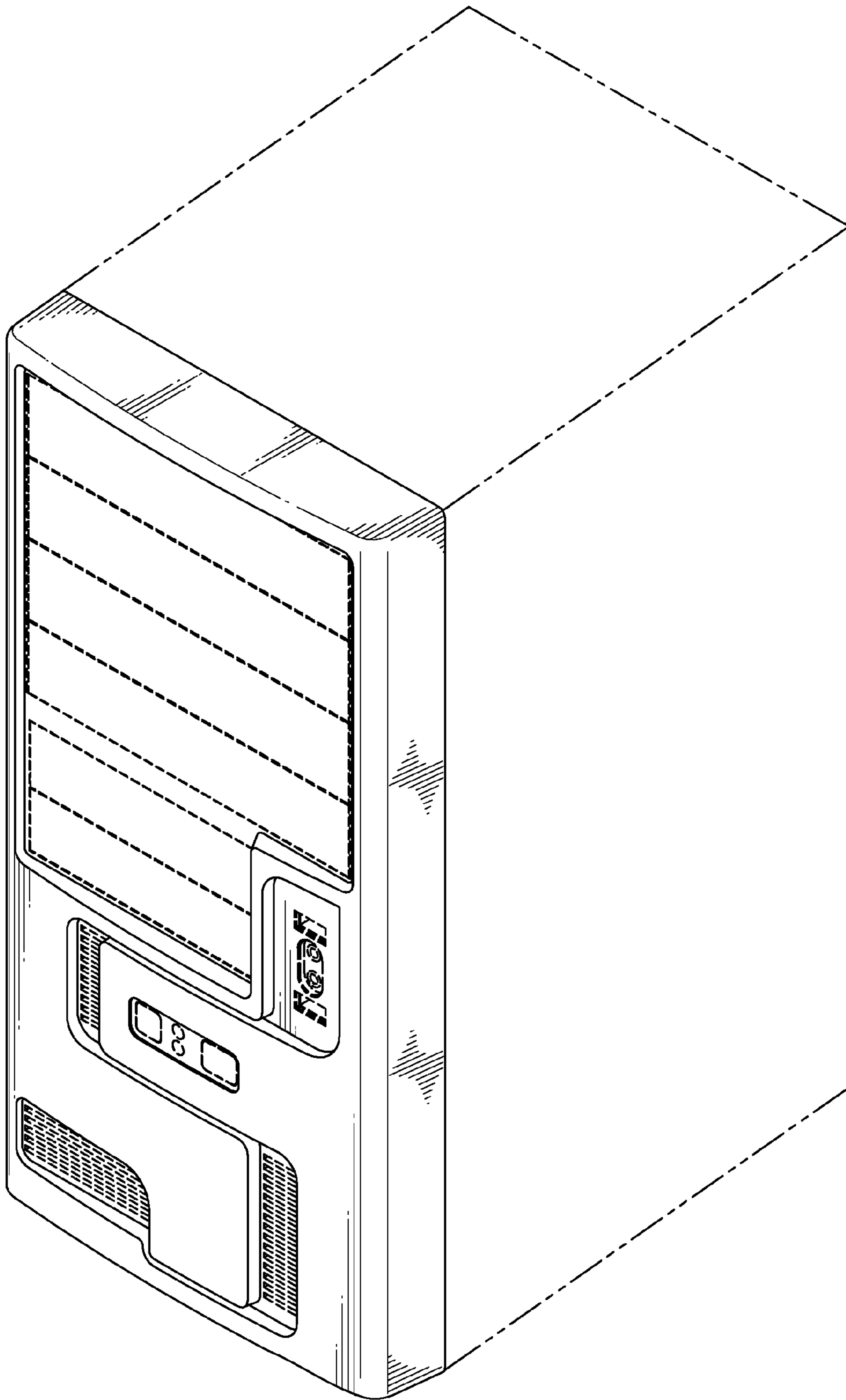


FIG. 7