



US00D585899S

(12) **United States Design Patent**
Shek

(10) **Patent No.:** **US D585,899 S**
(45) **Date of Patent:** **** Feb. 3, 2009**

(54) **REPLACEMENT CARTRIDGE**

(76) Inventor: **Simon Shek**, 4 Macniece Pl., Dex Hills,
NY (US) 11746

(**) Term: **14 Years**

(21) Appl. No.: **29/304,238**

(22) Filed: **Feb. 27, 2008**

(51) **LOC (9) Cl.** **14-02**

(52) **U.S. Cl.** **D14/435; D14/483; D6/407**

(58) **Field of Classification Search** D14/432,
D14/435-438, 474, 478-480, 483, 484, 217,
D14/260.1, 299; D21/324, 333, 443, 444;
360/131-135; 369/272.1, 274, 275.5, 280,
369/282, 283; 720/725, 734, 738, 740, 741;
D9/424, 425, 426, 428; D6/407
See application file for complete search history.

(56) **References Cited**

U.S. PATENT DOCUMENTS

- D387,217 S 12/1997 Lakoski et al.
- D398,603 S * 9/1998 Aoki D14/260.1
- D398,604 S * 9/1998 Aoki D14/260.1
- D402,975 S * 12/1998 Schick et al. D14/435
- D408,808 S * 4/1999 Nowell et al. D14/478
- D434,592 S * 12/2000 Sankey et al. D6/407
- 6,178,067 B1 * 1/2001 Schick et al. 360/133
- 6,227,363 B1 * 5/2001 Lu 206/308.1
- 6,298,034 B1 * 10/2001 Hashimoto 720/740
- D454,750 S * 3/2002 Bieda D6/407
- D469,780 S * 2/2003 Nonomura D14/483
- D473,874 S * 4/2003 Taniguchi et al. D14/435
- D474,184 S * 5/2003 Taniguchi et al. D14/435
- 6,583,956 B2 6/2003 Kikuchi
- D476,663 S * 7/2003 Nonomura D14/483

- 6,590,858 B2 7/2003 Inoue
- 6,662,943 B1 12/2003 Yang
- 6,782,548 B2 8/2004 Takizawa et al.
- D499,738 S * 12/2004 Goto D14/478
- 6,847,605 B2 1/2005 Okamoto et al.
- D501,482 S * 2/2005 Goto D14/478
- 6,874,157 B2 3/2005 Taguchi et al.
- D504,689 S * 5/2005 Kojima et al. D14/478
- 6,896,132 B1 5/2005 Frick
- 7,016,153 B2 * 3/2006 Aoishi et al. 360/133
- D519,312 S * 4/2006 Tsai D6/407
- D522,522 S 6/2006 Goto
- 7,103,901 B2 * 9/2006 Takizawa et al. 720/741
- 7,114,166 B2 * 9/2006 Hashizume et al. 720/738
- 7,383,559 B2 * 6/2008 Ohgi 720/725
- 2006/0102500 A1 5/2006 Hertzog

* cited by examiner

Primary Examiner—Cathron C Brooks
Assistant Examiner—Deanna Fluegeman

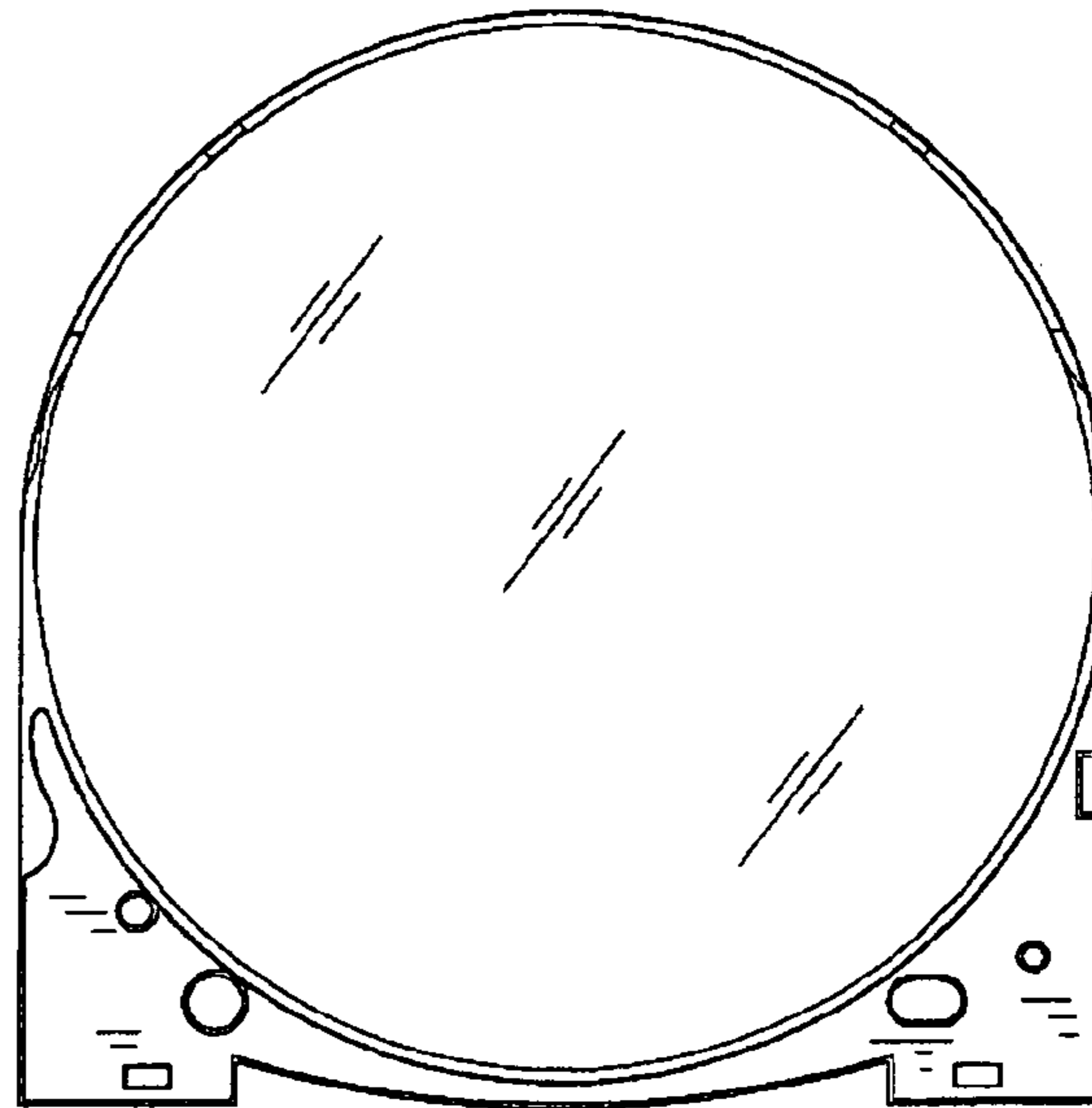
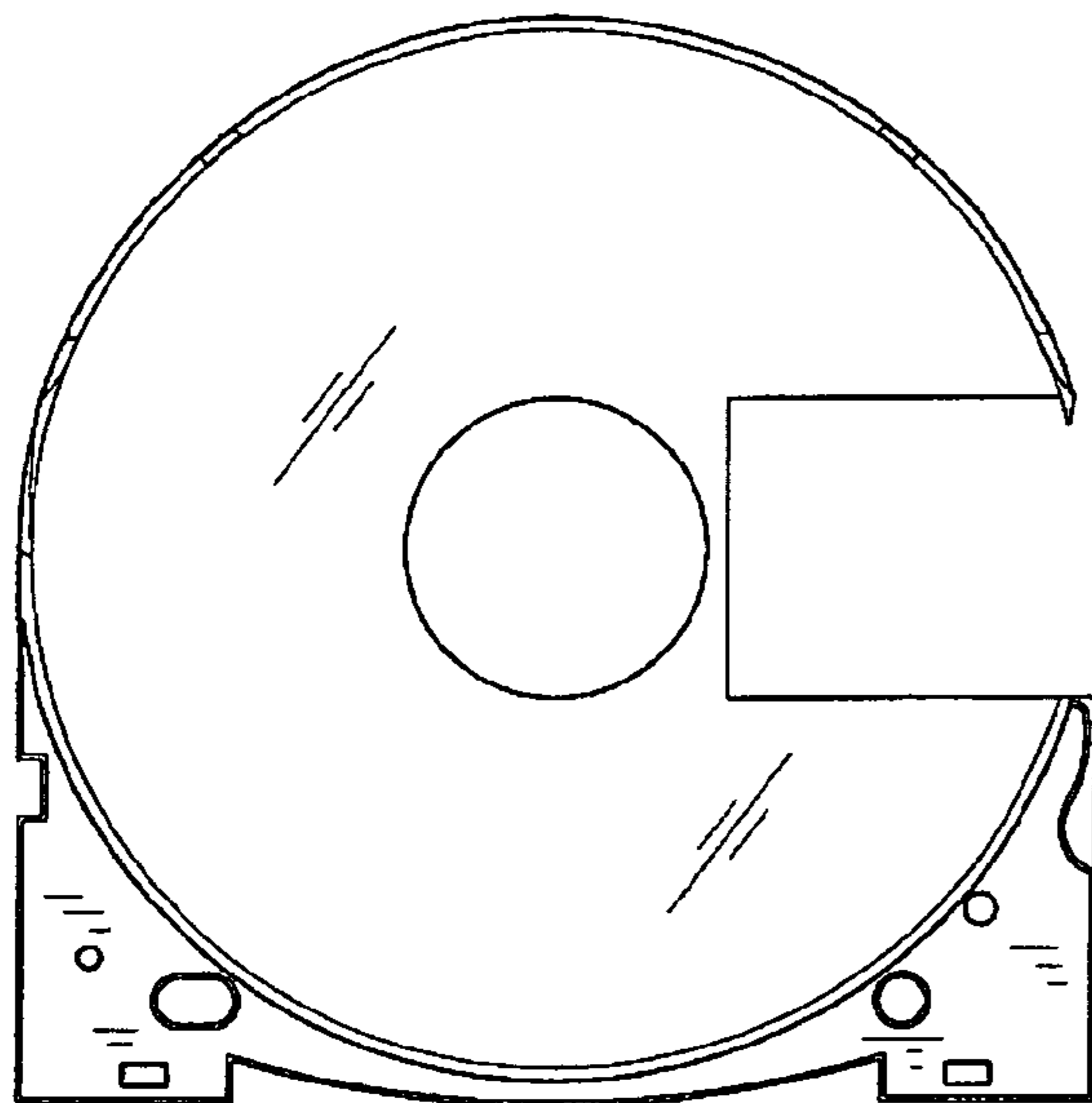
(57) **CLAIM**

The ornamental design for a replacement cartridge, as shown.

DESCRIPTION

FIG. 1 is a top view of a new replacement cartridge in its open position;
FIG. 2 is a bottom view thereof;
FIG. 3 is a left side view thereof;
FIG. 4 is a right side view thereof;
FIG. 5 is a front view thereof;
FIG. 6 is a rear view thereof; and,
FIG. 7 is a perspective view thereof.

1 Claim, 3 Drawing Sheets



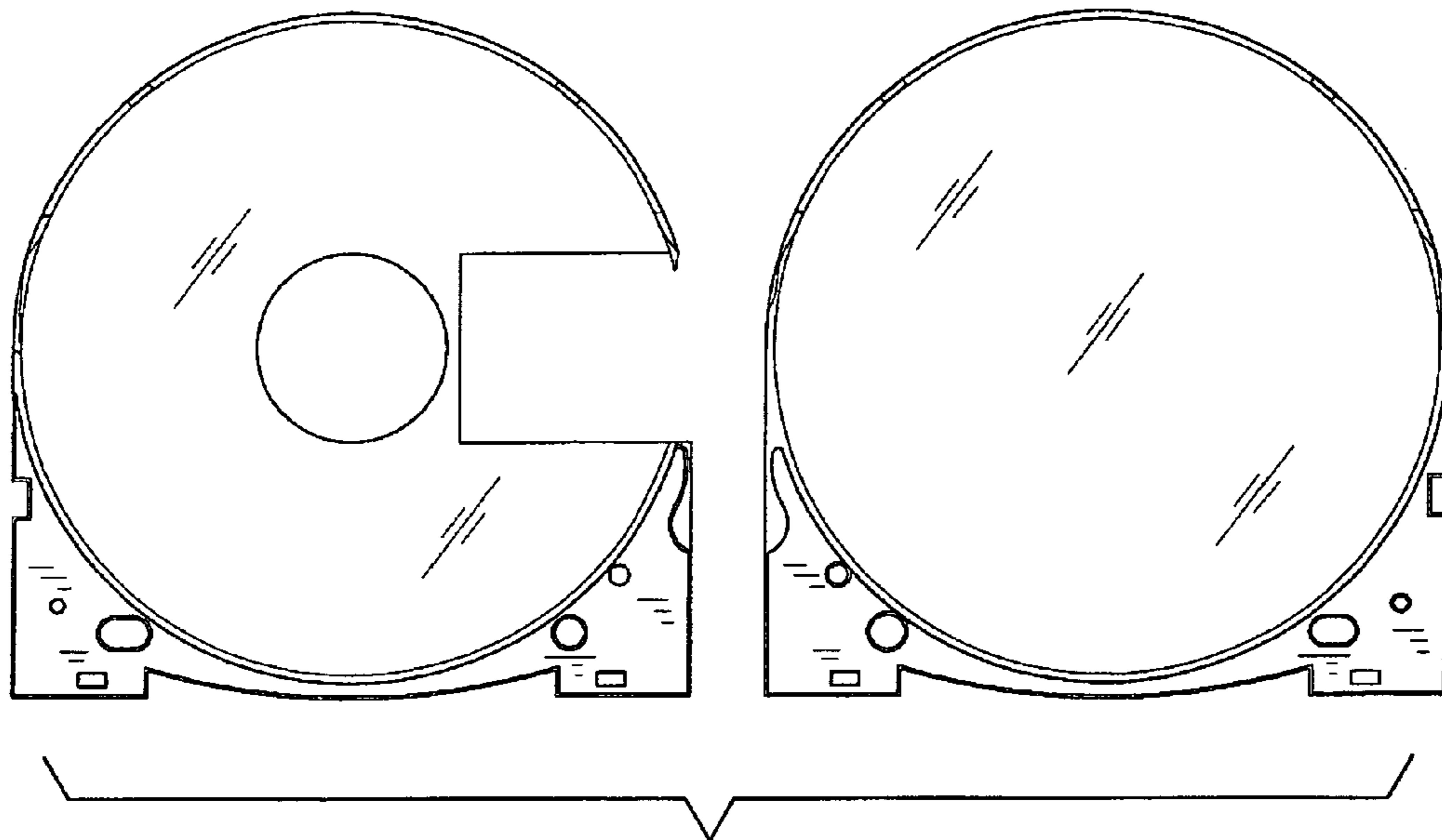


FIG. 1

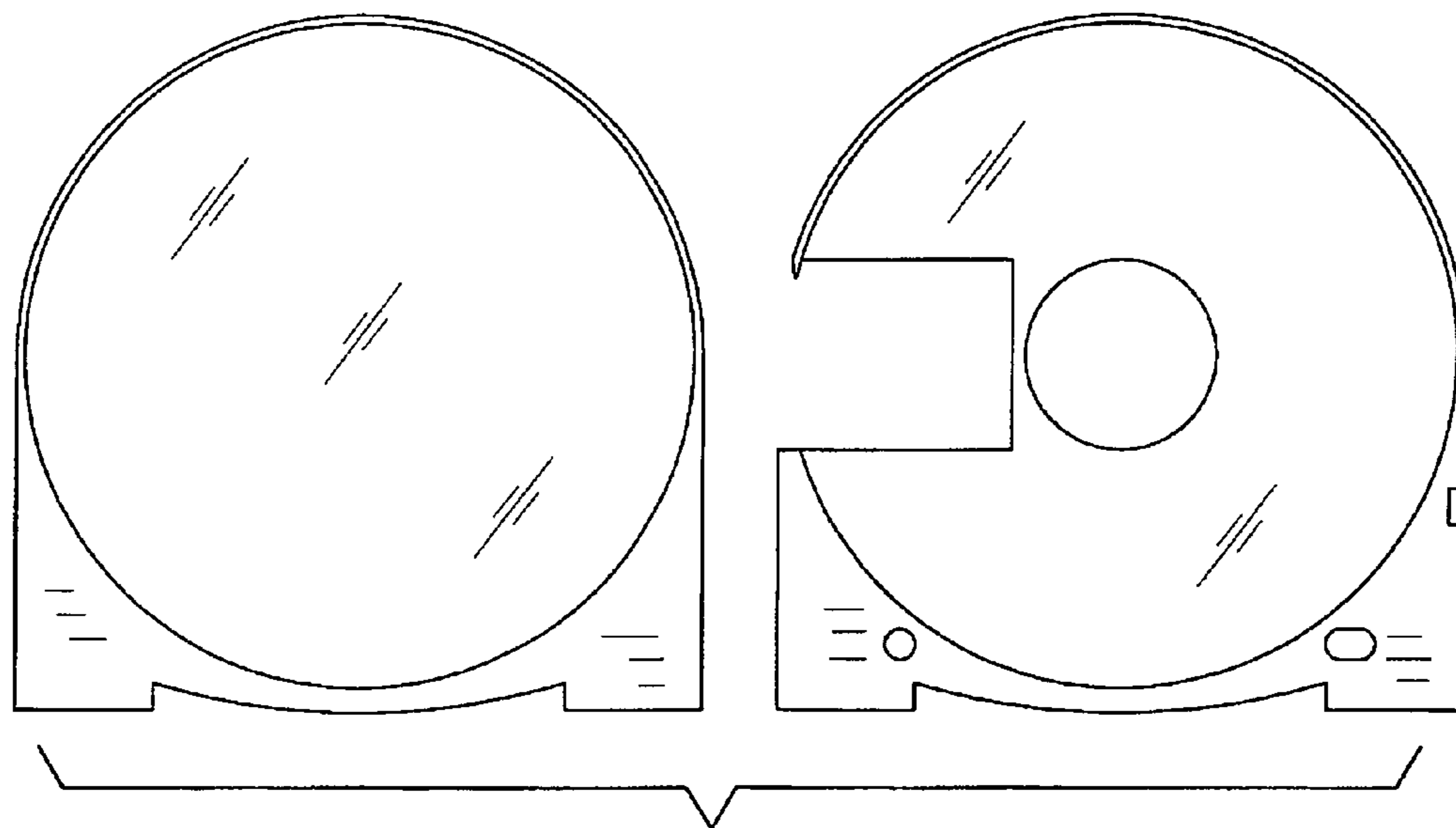


FIG. 2

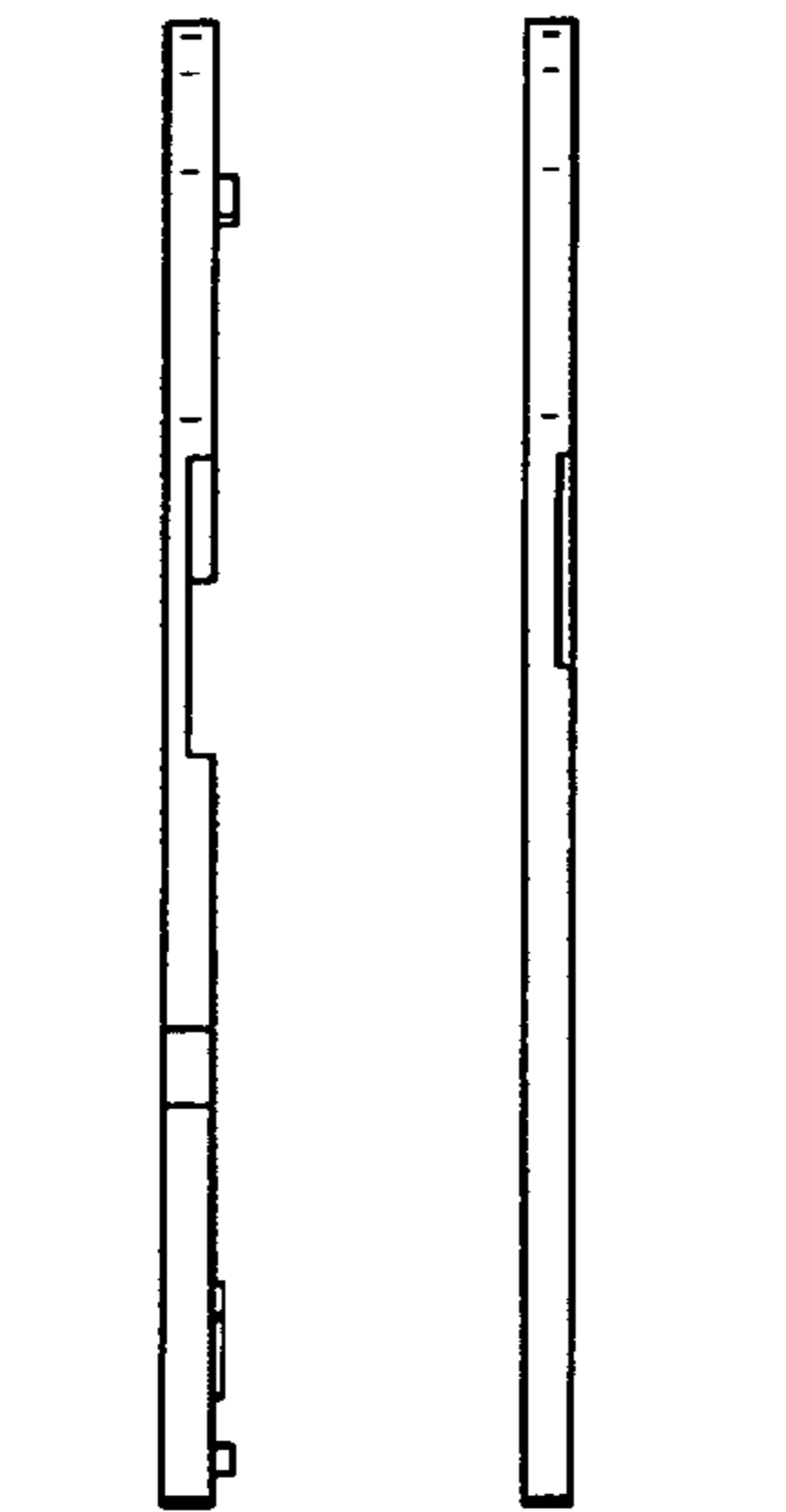


FIG. 3

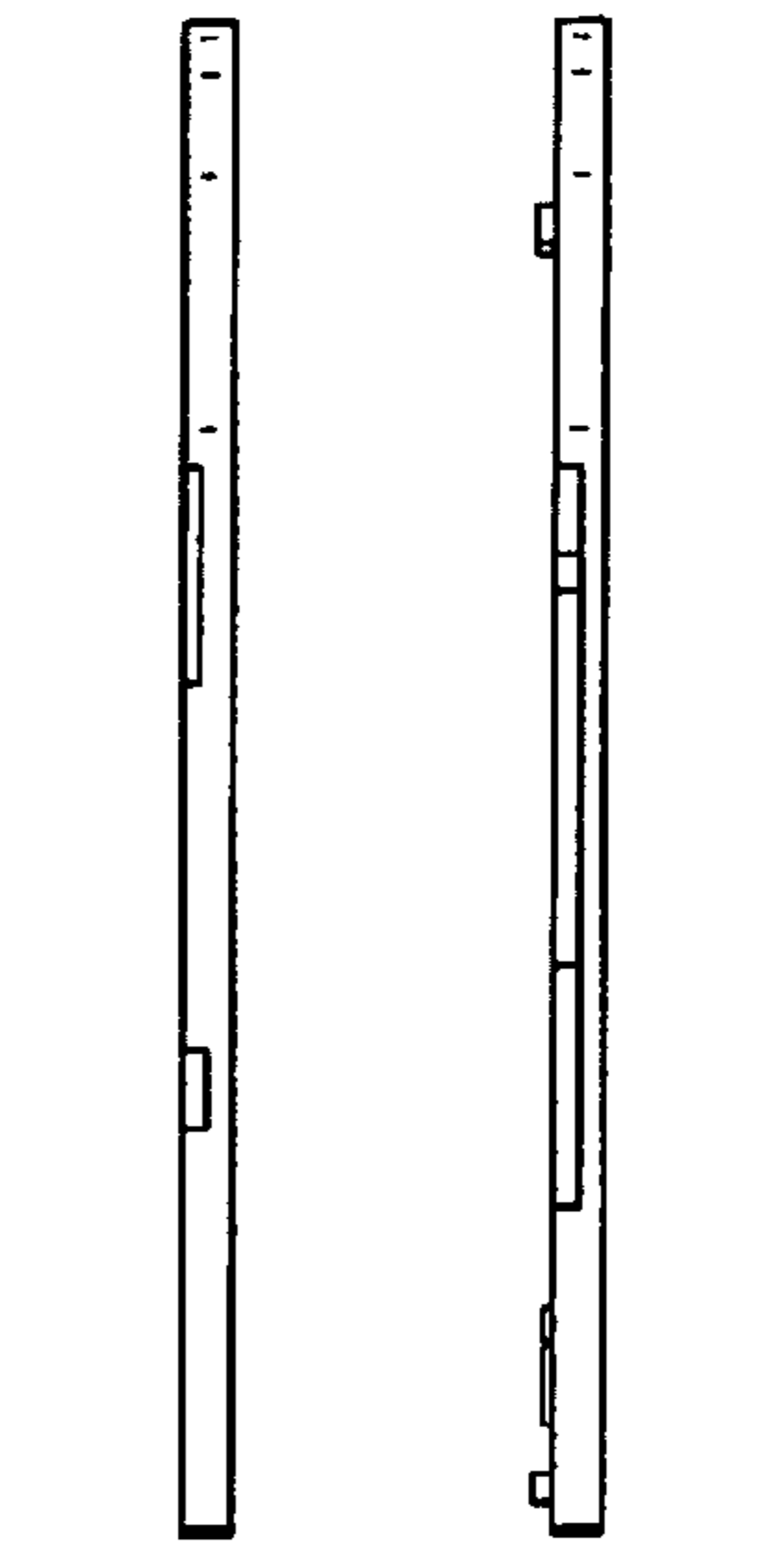


FIG. 4

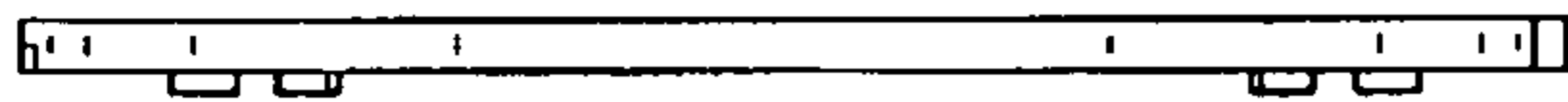


FIG. 5

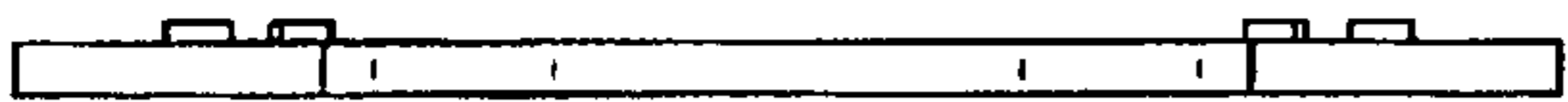
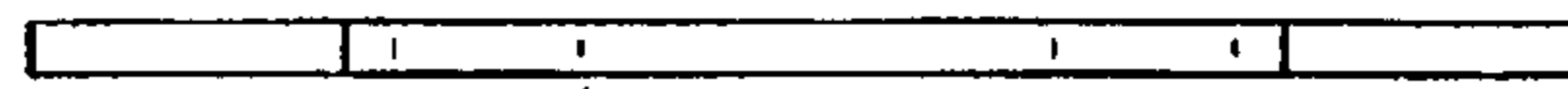


FIG. 6

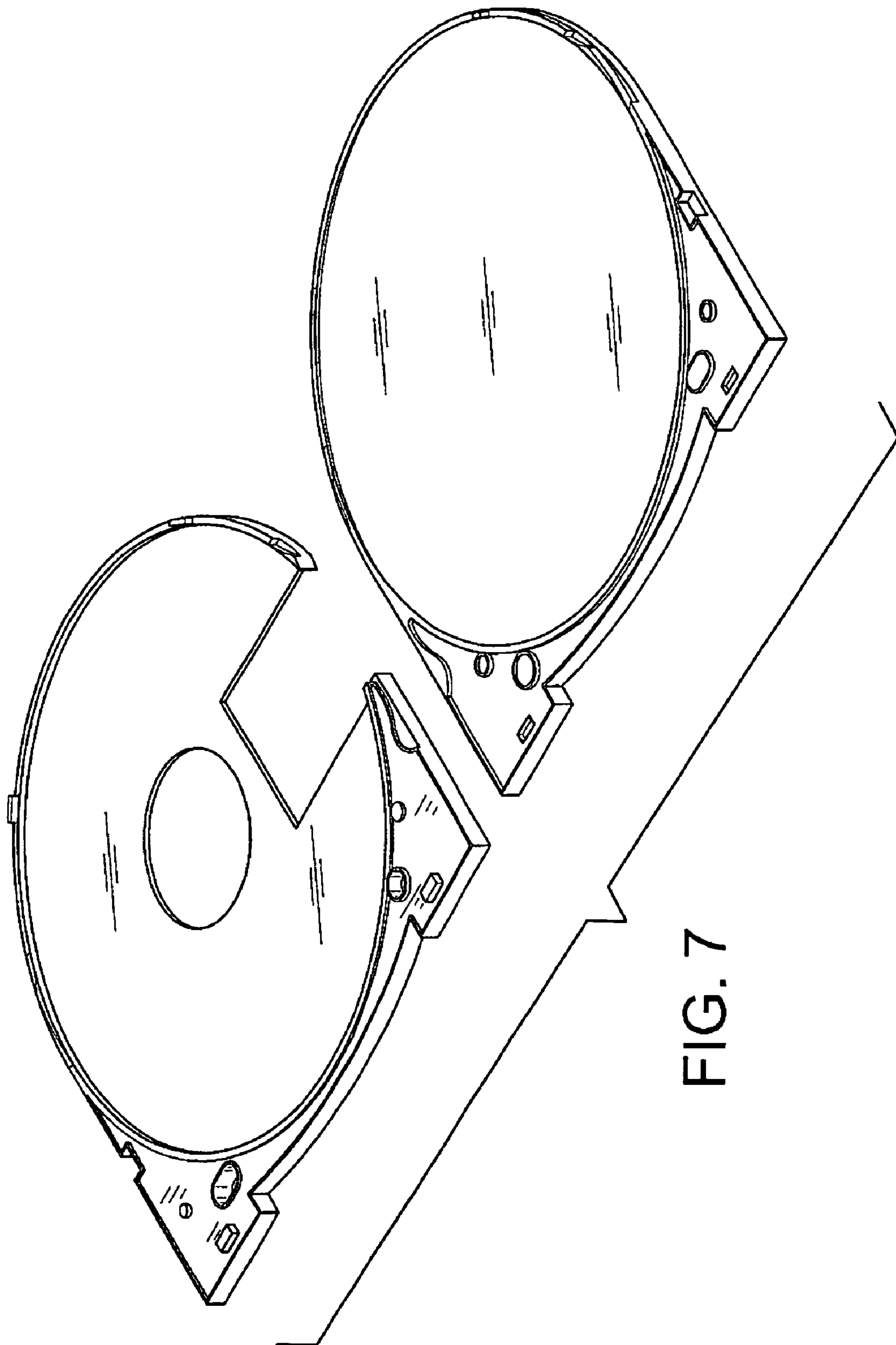


FIG. 7