



US00D585898S

(12) **United States Design Patent**
Skurdal

(10) **Patent No.:** **US D585,898 S**

(45) **Date of Patent:** **** Feb. 3, 2009**

(54) **BASE UNIT FOR DIGITAL MEDIA PLAYER**

(75) Inventor: **Andrew Skurdal**, Jersey City, NJ (US)

(73) Assignee: **SDI Technologies, Inc.**, Rahway, NJ (US)

(**) Term: **14 Years**

(21) Appl. No.: **29/306,065**

(22) Filed: **Apr. 1, 2008**

(51) **LOC (9) Cl.** **14-02**

(52) **U.S. Cl.** **D14/434; D14/496**

(58) **Field of Classification Search** D14/496,
D14/432, 434, 447, 385, 356, 357; D21/324,
D21/328, 332, 333; D13/107, 110, 118;
274/148 B; 361/600, 683, 686; 345/156,
345/161, 903, 905; 463/1, 46, 47
See application file for complete search history.

(56) **References Cited**

U.S. PATENT DOCUMENTS

D495,336 S *	8/2004	Andre et al.	D14/434
7,145,603 B2 *	12/2006	Whitby et al.	348/375
D553,122 S *	10/2007	Solland	D14/217
7,303,282 B2 *	12/2007	Dwyer et al.	353/15
7,332,890 B2 *	2/2008	Cohen et al.	320/109
D570,847 S *	6/2008	Chern	D14/434
7,386,868 B2 *	6/2008	McCormack	720/657
D575,275 S *	8/2008	Andre et al.	D14/217
D575,289 S *	8/2008	Kuo et al.	D14/434

D575,350 S *	8/2008	Ashida et al.	D21/333
7,414,668 B2 *	8/2008	Takahashi	348/373
2008/0197050 A1 *	8/2008	Strauser	206/726
2008/0219488 A1 *	9/2008	Crooijmans et al.	381/333

* cited by examiner

Primary Examiner—Prabhakar Deshmukh

(74) *Attorney, Agent, or Firm*—Ostrolenk, Faber, Gerb & Soffen, LLP

(57) **CLAIM**

The ornamental design for base unit for digital media player, as shown and described.

DESCRIPTION

FIG. 1 is a top, front, right side, perspective view of a base unit for digital media player showing my new design;

FIG. 2 is a top view thereof;

FIG. 3 is a front view thereof;

FIG. 4 is a rear view thereof;

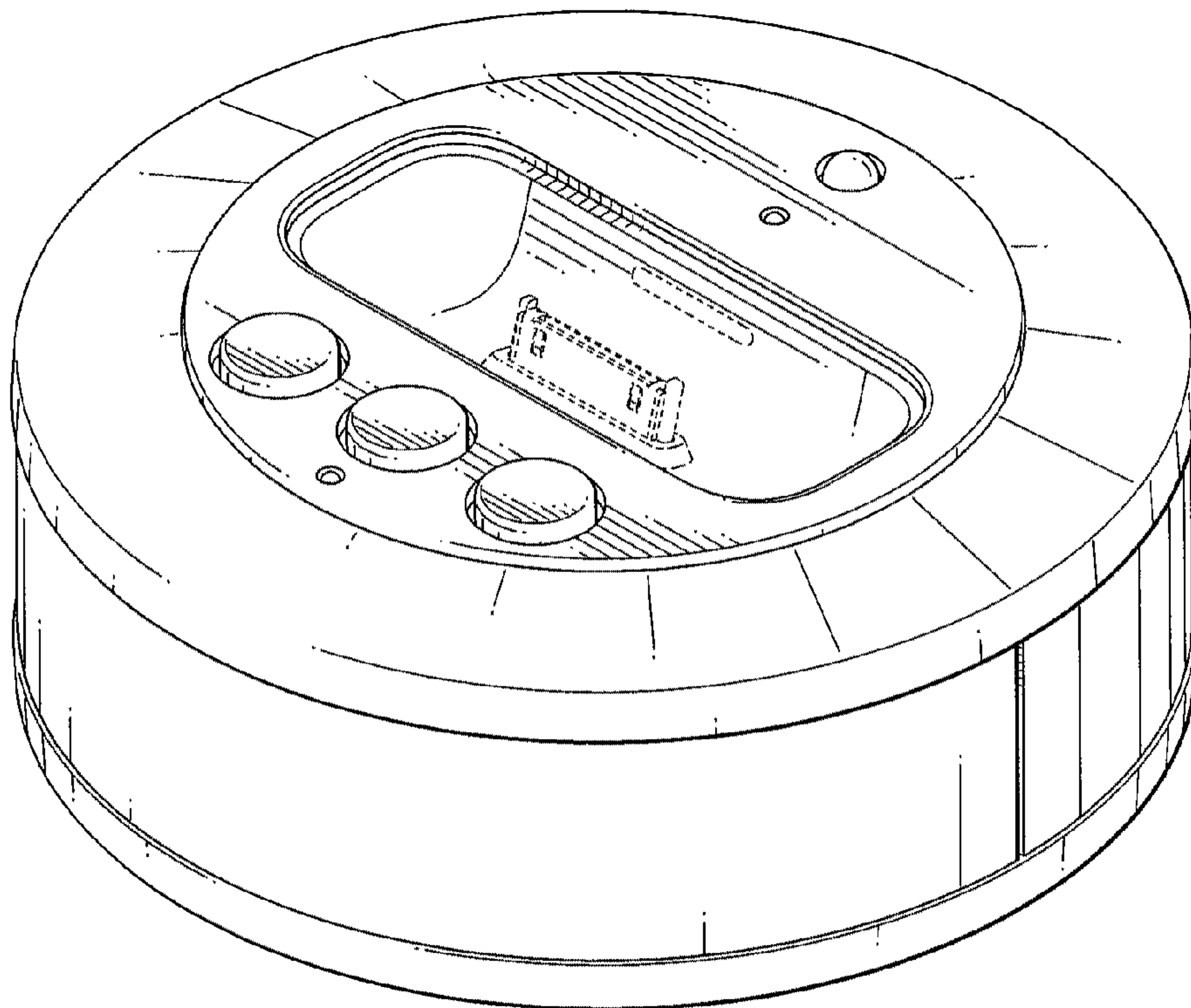
FIG. 5 is a left side view thereof;

FIG. 6 is a right side view thereof; and,

FIG. 7 is a bottom view thereof.

The broken lines, which define the bounds of the claimed design, form no part thereof. The broken lines showing environment is for illustrative purpose only and forms no part of the claimed design.

1 Claim, 5 Drawing Sheets



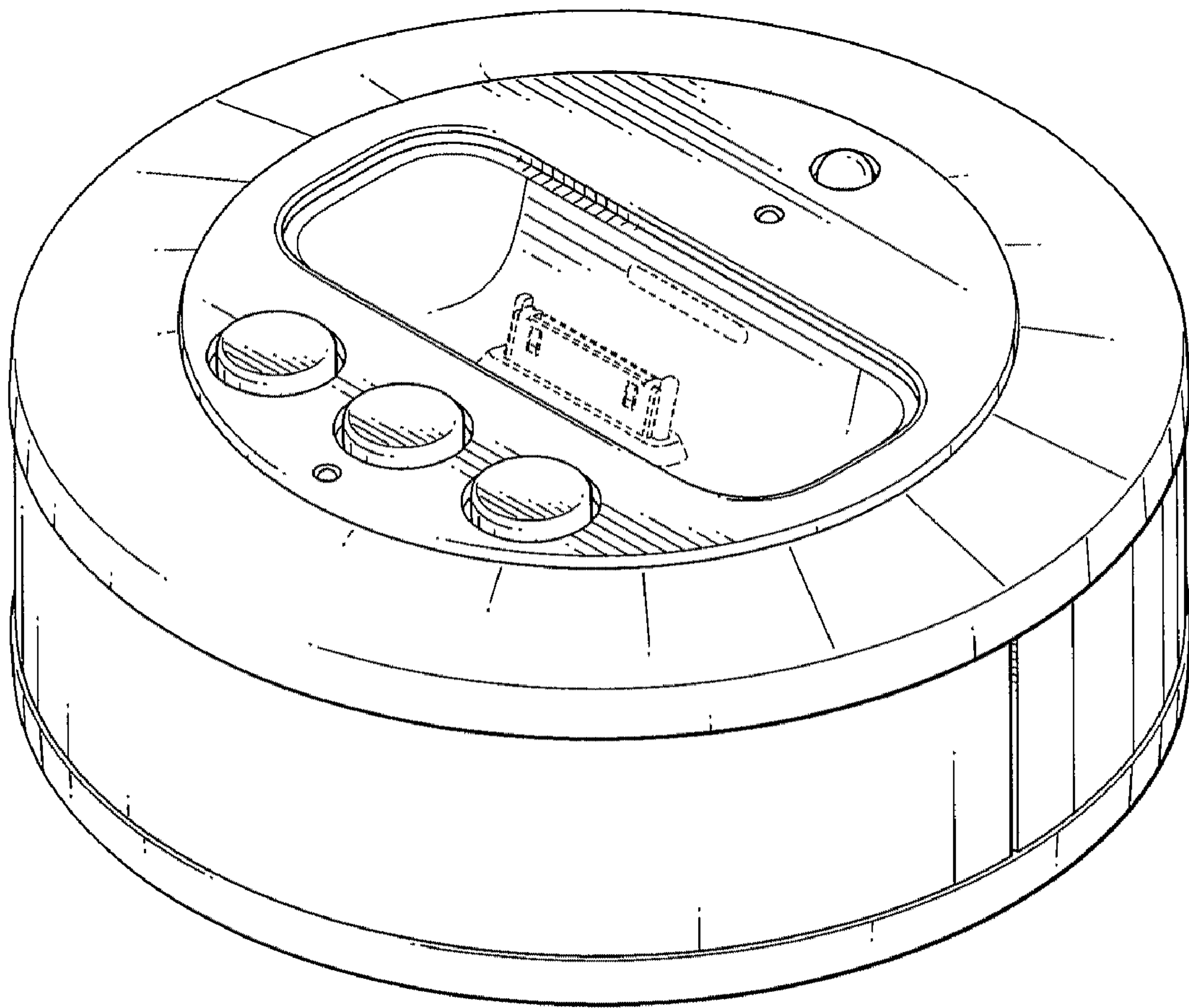


FIG. 1

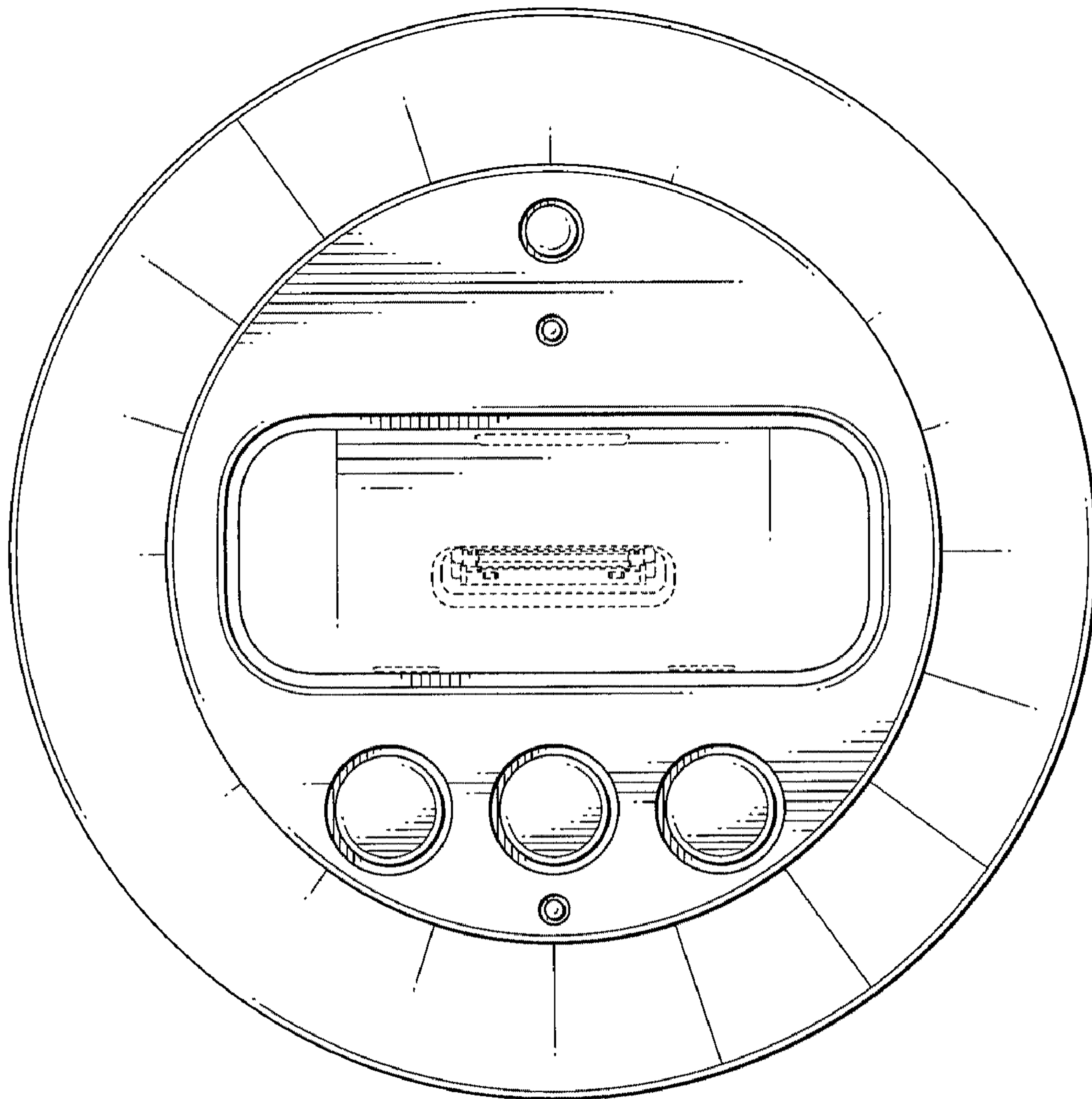


FIG. 2

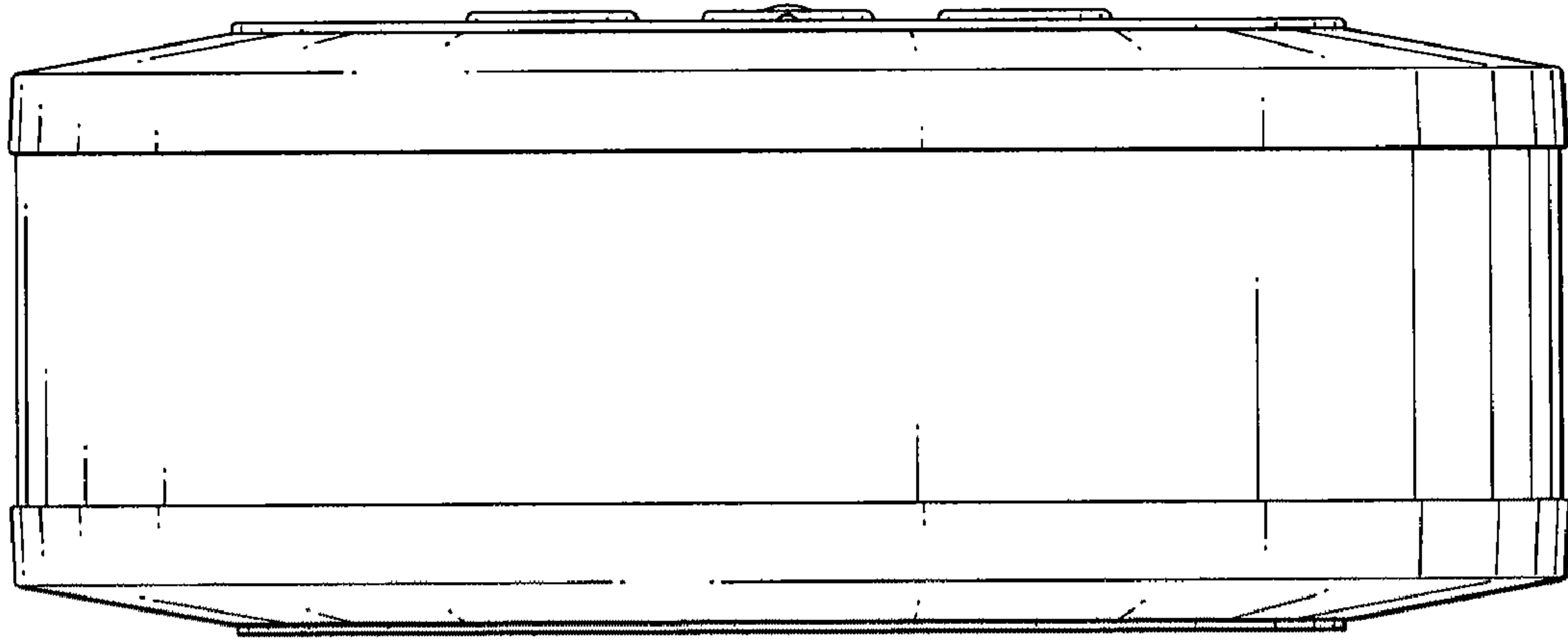


FIG. 3

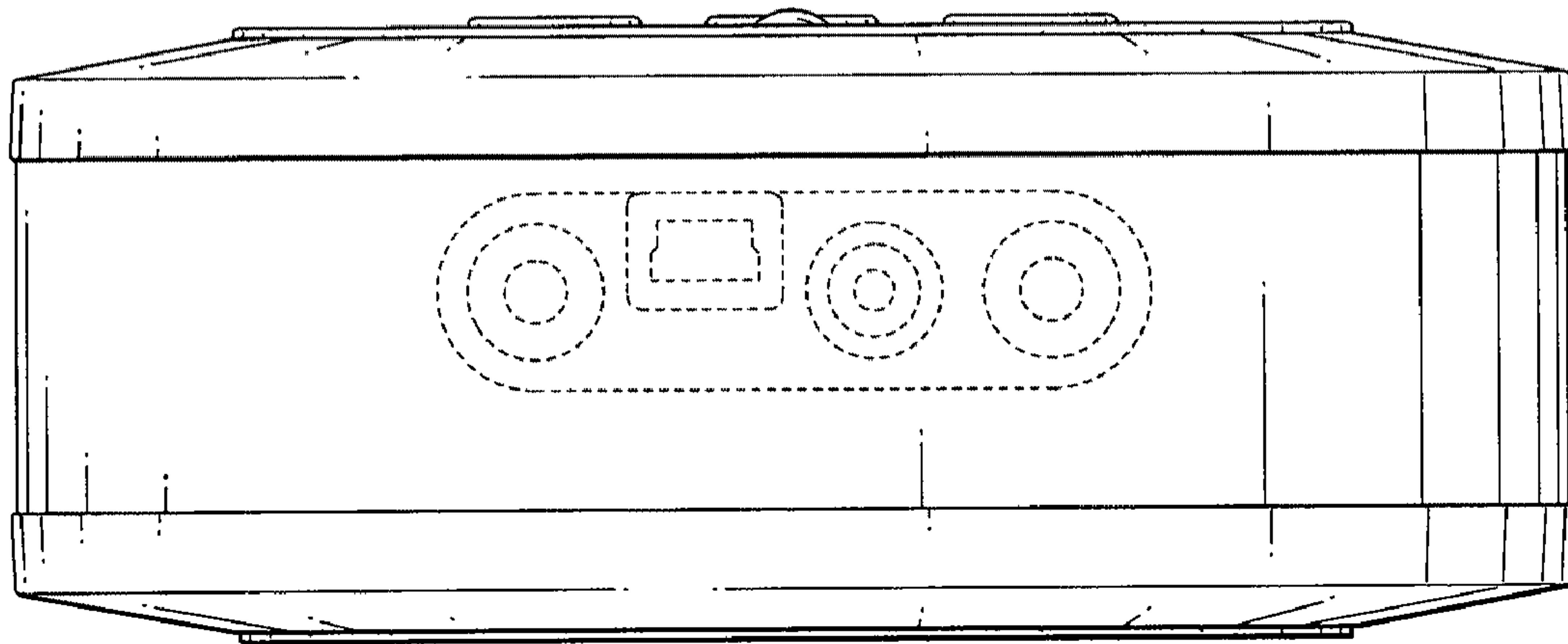


FIG. 4

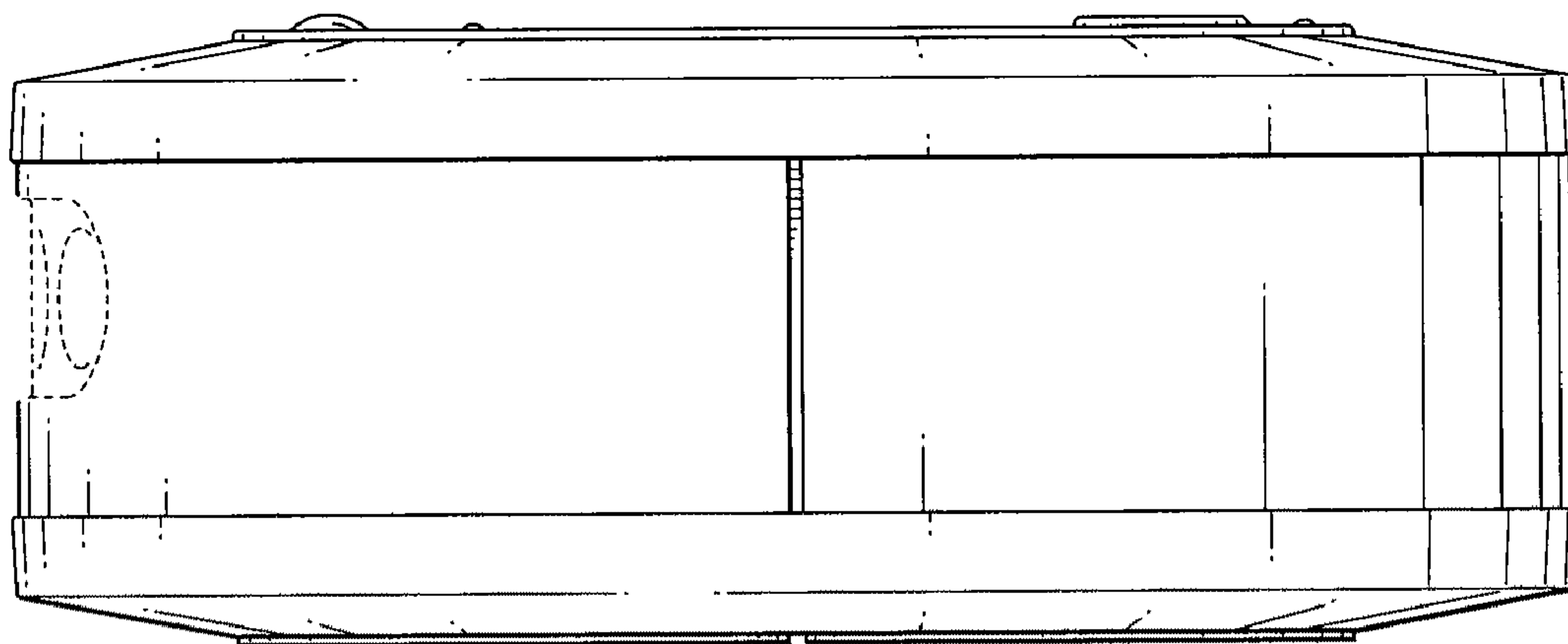


FIG. 5

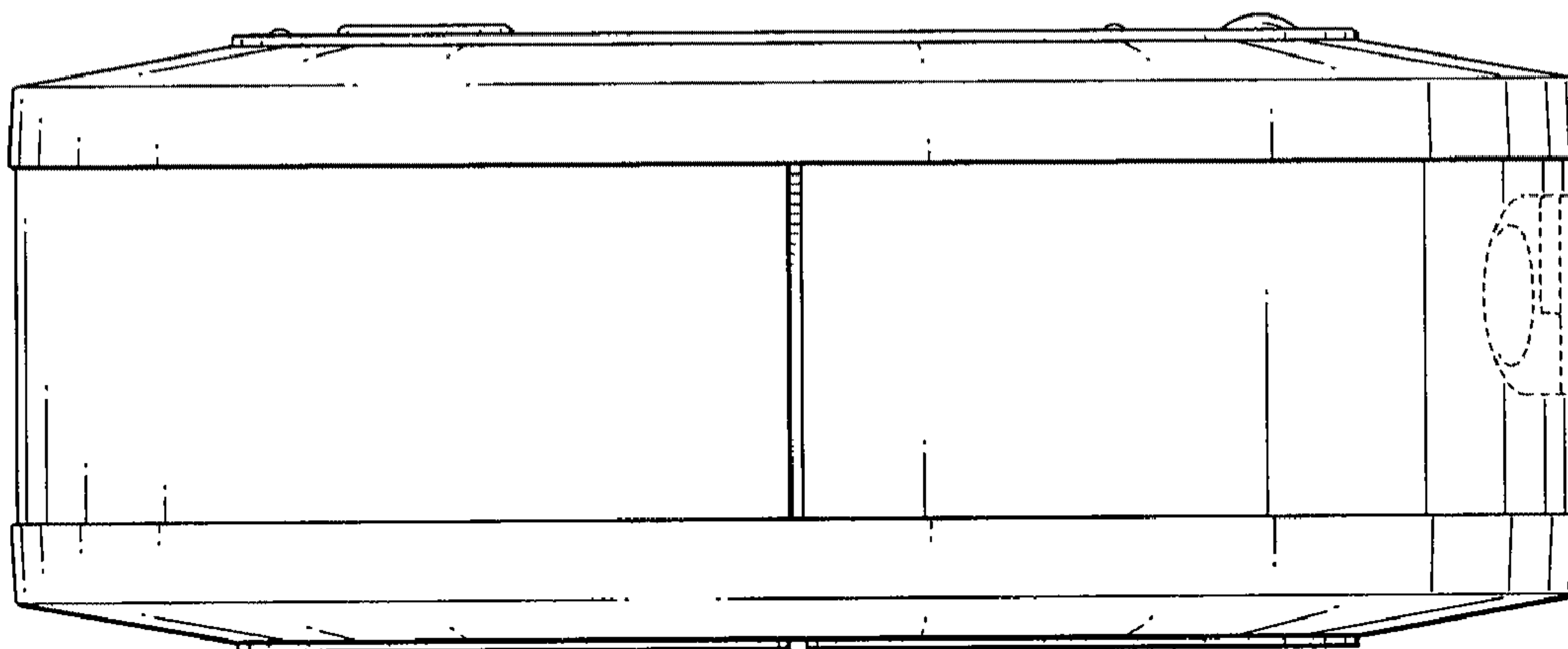


FIG. 6

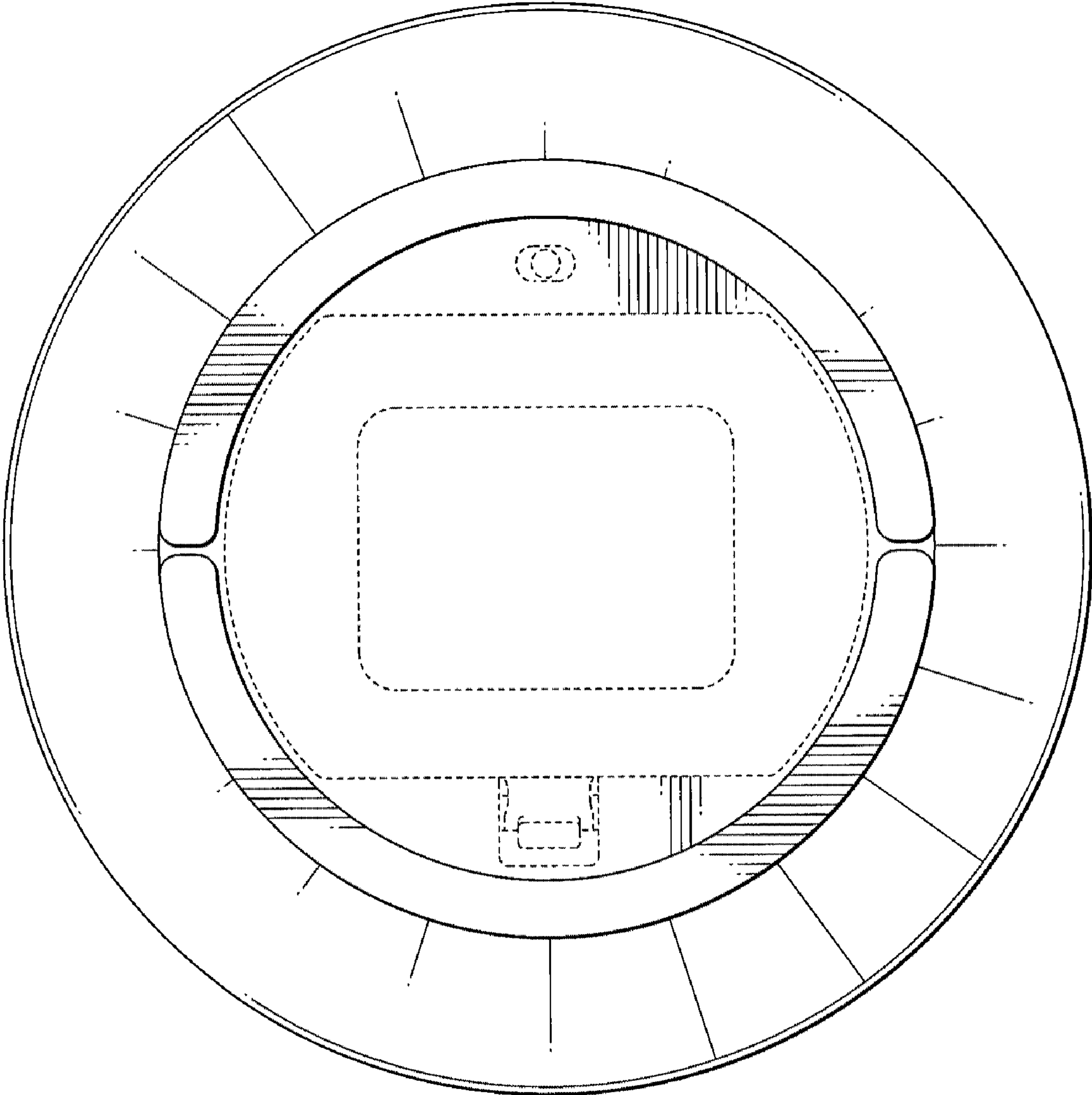


FIG. 7