



US00D585897S

(12) **United States Design Patent**
Carnevali

(10) **Patent No.:** **US D585,897 S**

(45) **Date of Patent:** **** Feb. 3, 2009**

(54) **CRADLE FOR AN ELECTRONIC DEVICE**

6,520,466 B1 * 2/2003 Blanchard et al. 248/309.1
D524,729 S * 7/2006 Hussaini et al. D13/108
D525,935 S * 8/2006 Hussaini et al. D13/108

(76) Inventor: **Jeffrey D. Carnevali**, 5957 Beach Dr.
SW., Seattle, WA (US) 98136

* cited by examiner

(**) Term: **14 Years**

Primary Examiner—Melanie H Tung
Assistant Examiner—Susan Moon Lee

(21) Appl. No.: **29/292,193**

(74) *Attorney, Agent, or Firm*—Charles J. Rupnick

(22) Filed: **Oct. 1, 2007**

(57) **CLAIM**

(51) **LOC (9) Cl.** **14-02**

We claim the ornamental design for a cradle for an electronic device, as shown and described.

(52) **U.S. Cl.** **D14/434**

(58) **Field of Classification Search** D14/434,
D14/447, 432, 433, 385, 357, 149, 457, 253,
D14/251, 356; D13/199, 107, 108, 118;
361/600, 679, 683, 686; 200/6 R; 206/701;
320/113–115, 107; 379/426; 455/557, 556.1,
455/556.2; 345/156, 901, 905; 439/374,
439/131, 529, 534, 929, 346, 31, 640; 235/472.01;
248/309.1, 221.11; 429/100; D21/333, 392;
D19/65; 24/303; D8/395

DESCRIPTION

See application file for complete search history.

FIG. 1 is a top perspective view of a cradle for an electronic device showing our new design;

FIG. 2 is another top perspective view showing our new design;

FIG. 3 is front elevation view showing our new design;

FIG. 4 is a back elevation view showing our new design;

FIG. 5 is a top end elevation view showing our new design;

FIG. 6 is a right side elevation view showing our new design;

FIG. 7 is a bottom end elevation view showing our new design; and,

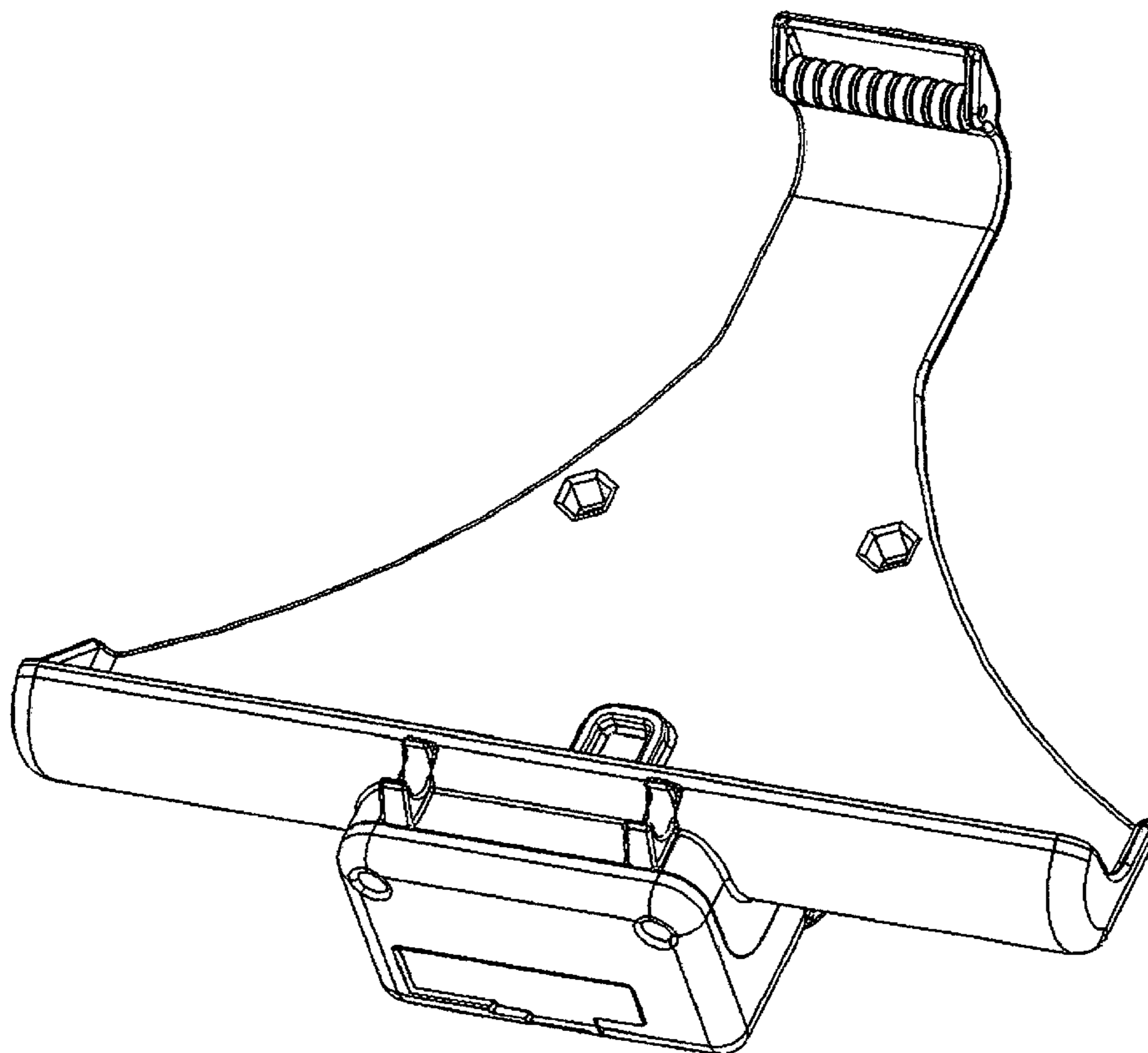
FIG. 8 is a left side elevation view showing our new design.

(56) **References Cited**

U.S. PATENT DOCUMENTS

D156,987 S * 1/1950 Newton D8/395
D416,536 S * 11/1999 Ross et al. D13/107
5,988,572 A * 11/1999 Chivallier et al. 248/176.1
D427,602 S * 7/2000 Yerazunis et al. D14/433

1 Claim, 4 Drawing Sheets



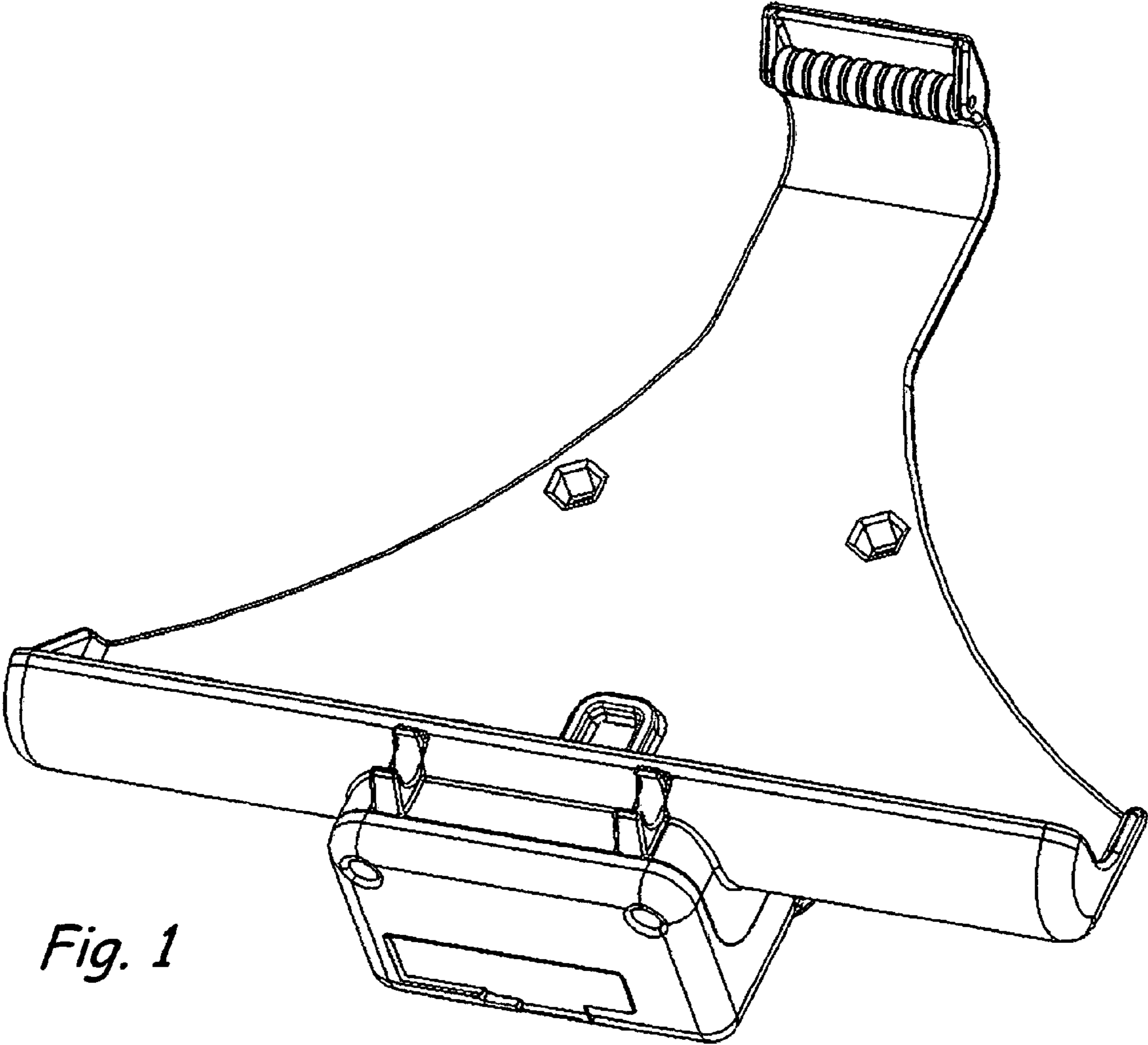


Fig. 1

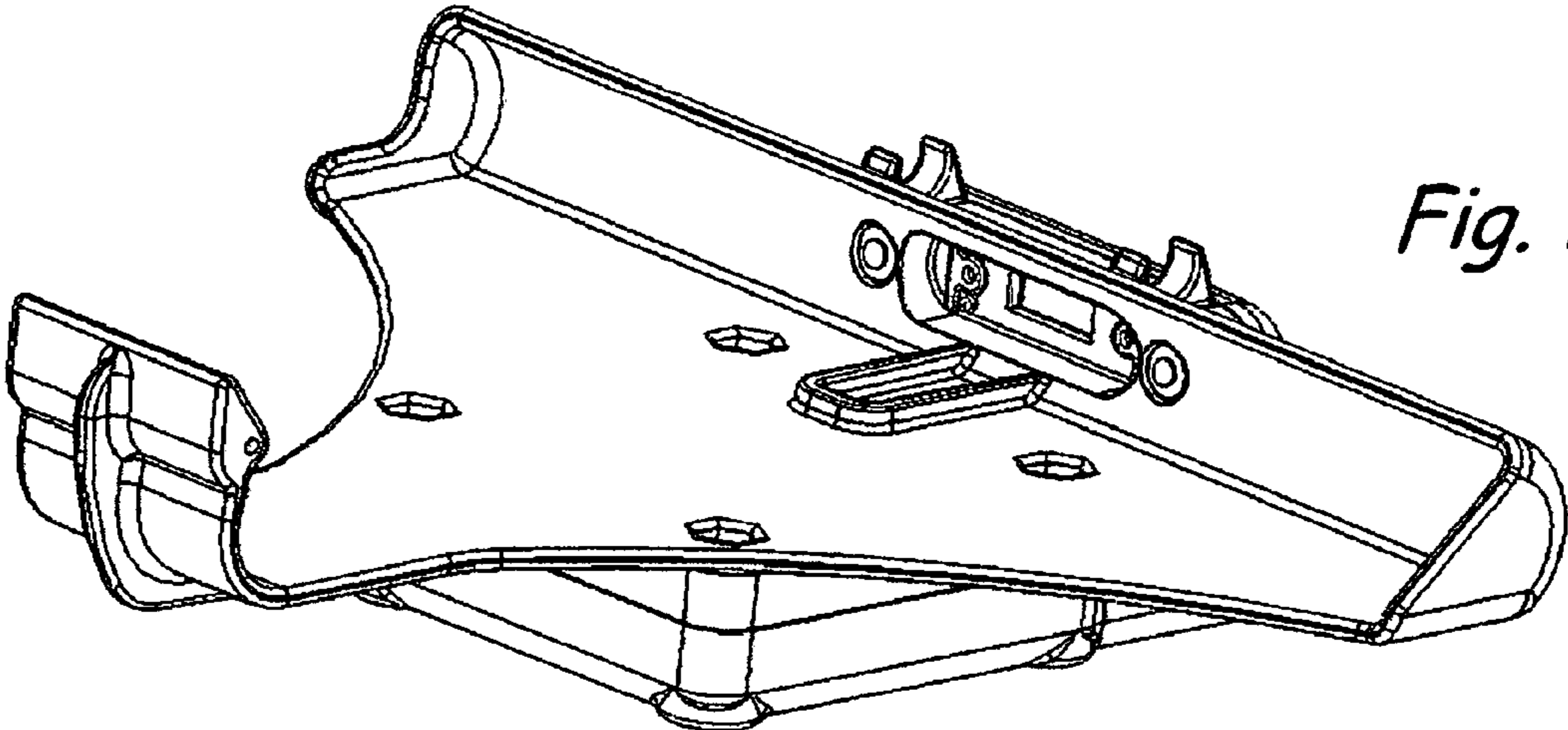


Fig. 2

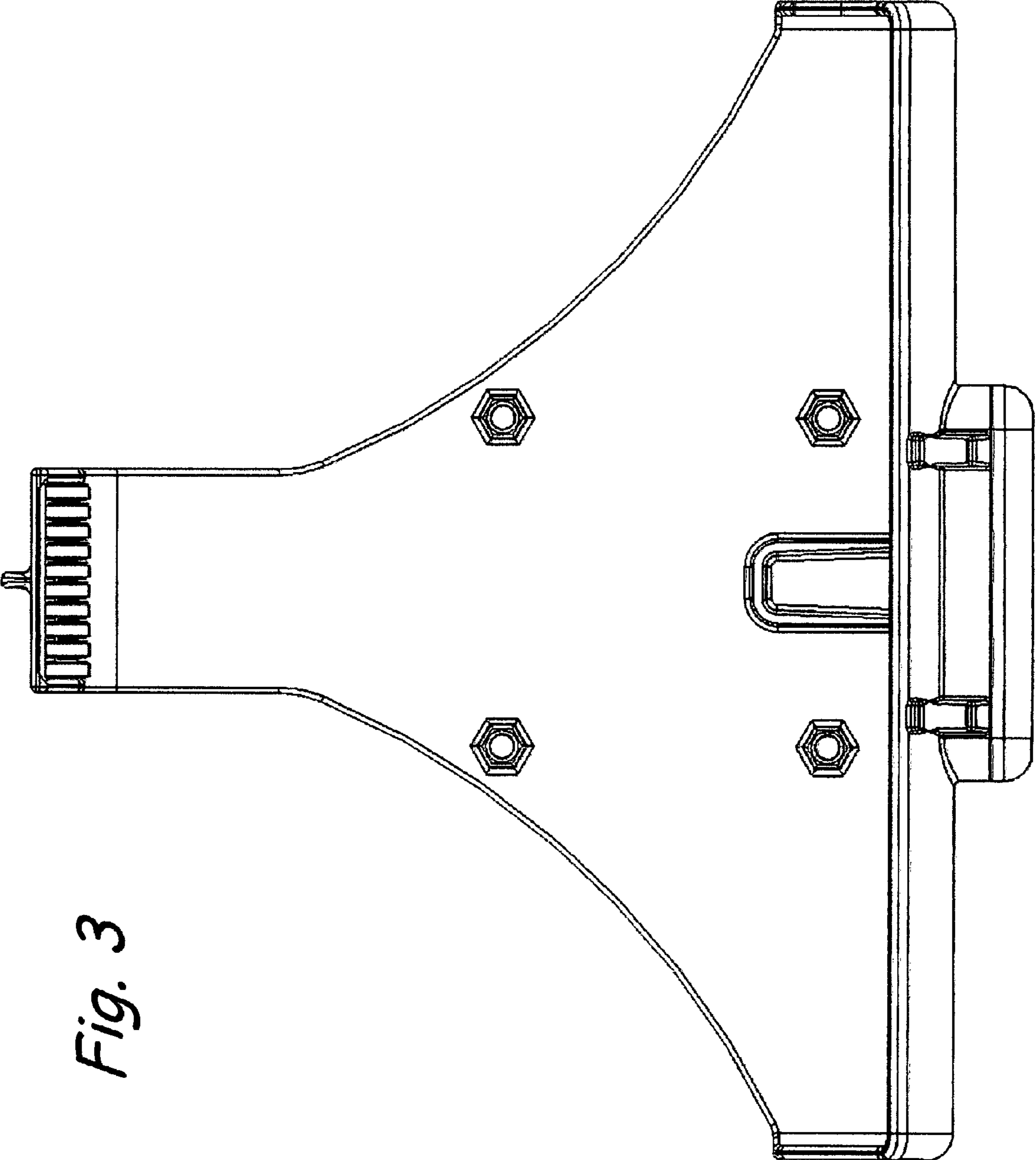


Fig. 3

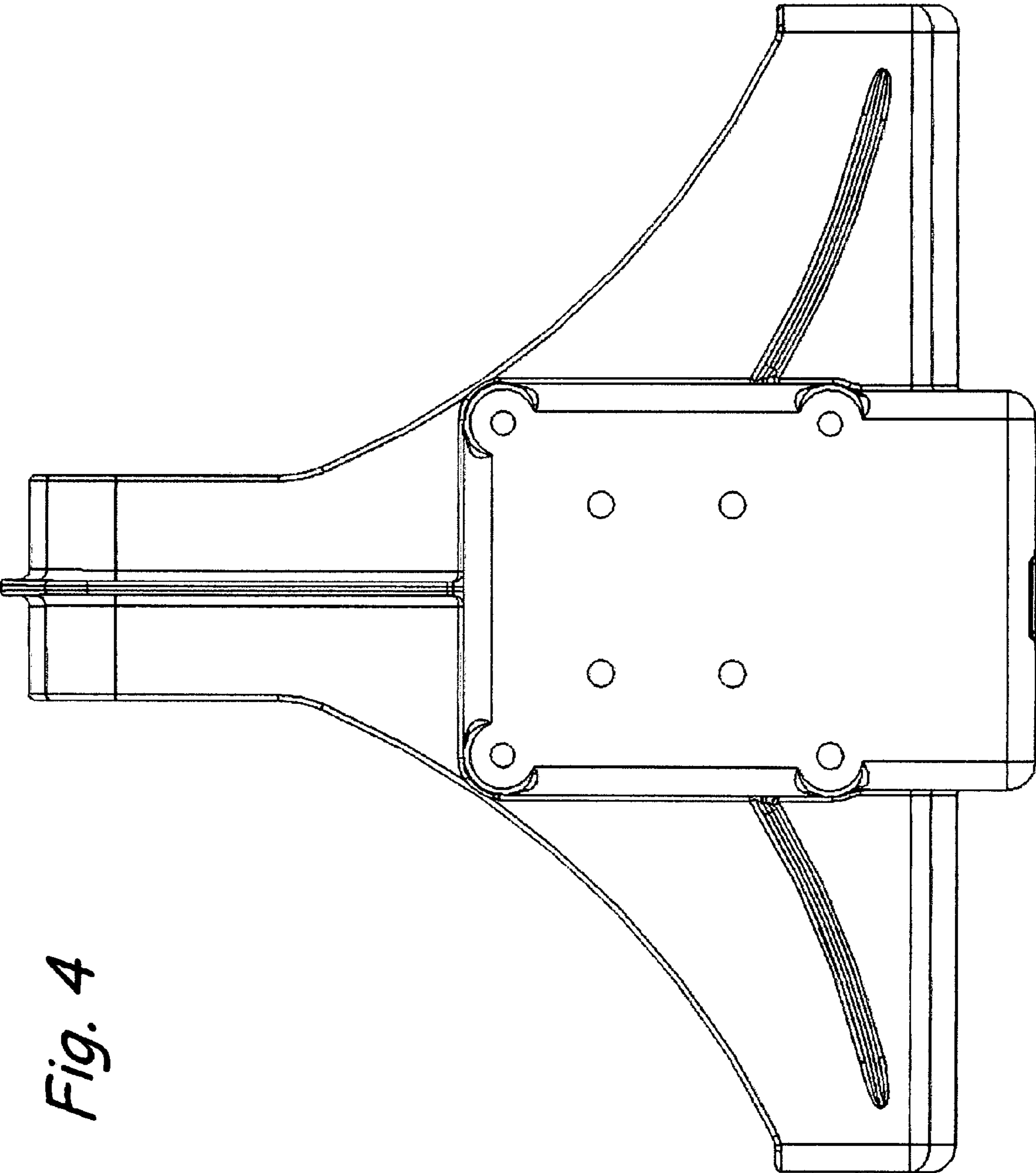


Fig. 4

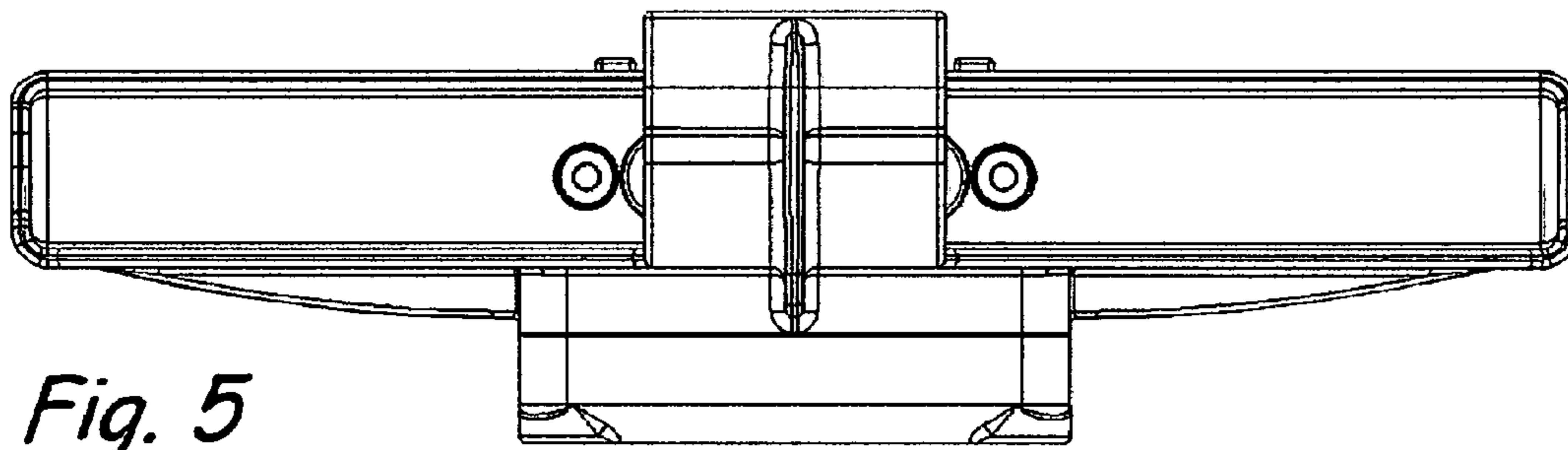


Fig. 5

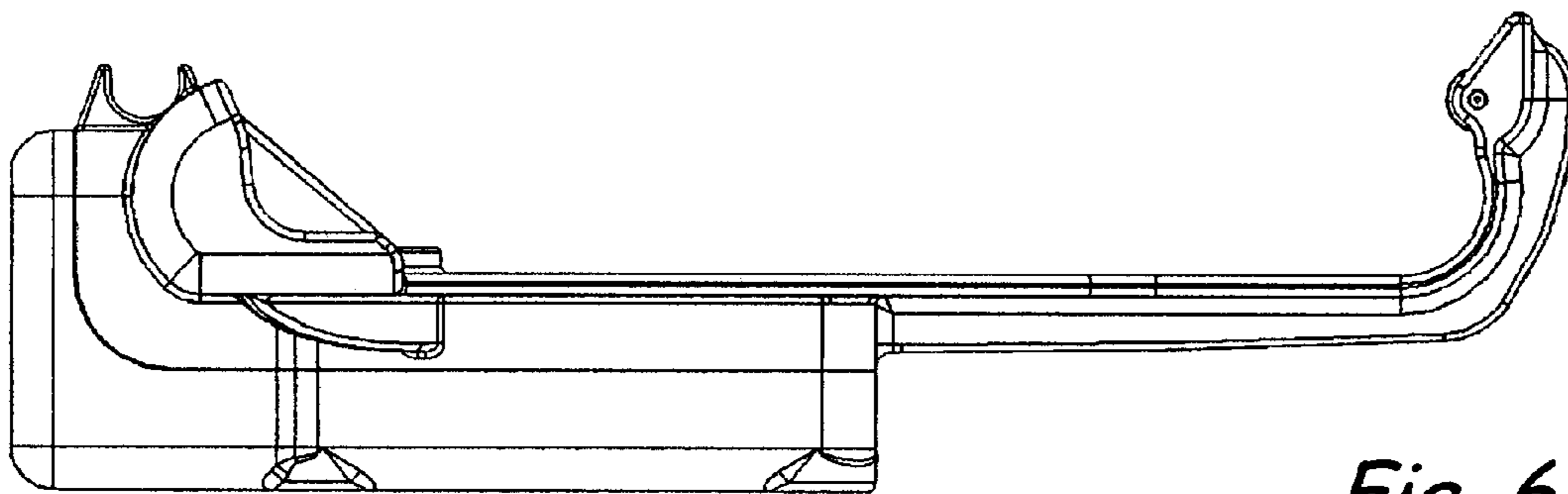


Fig. 6

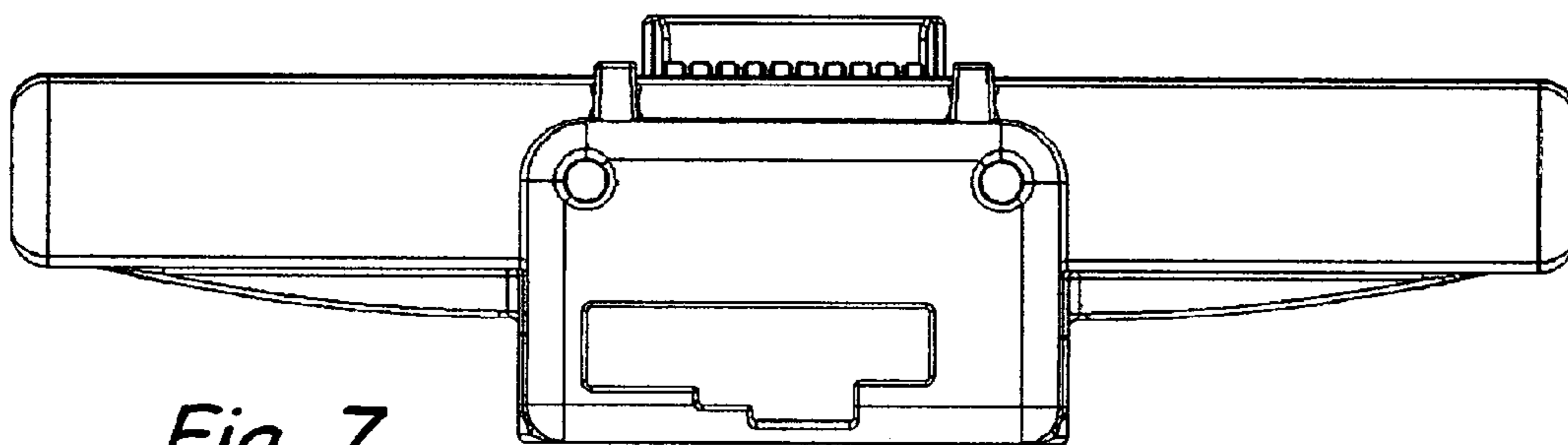


Fig. 7

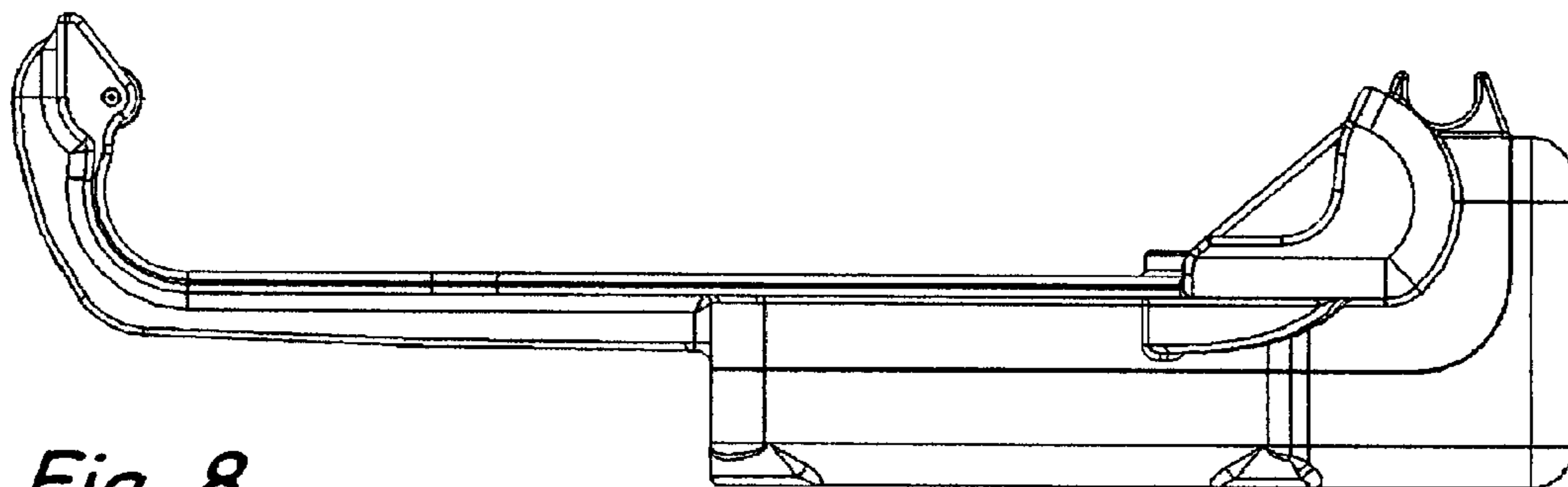


Fig. 8