



US00D585896S

(12) **United States Design Patent**
Wahl et al.

(10) **Patent No.:** **US D585,896 S**

(45) **Date of Patent:** **** Feb. 3, 2009**

(54) **CONNECTOR FOR A PERIPHERAL DEVICE**

(75) Inventors: **James Wahl**, Export, PA (US); **Chris Nightingale**, Wimbledon (GB)

(73) Assignee: **Vocollect Healthcare Systems, Inc.**, Pittsburgh, PA (US)

(**) Term: **14 Years**

(21) Appl. No.: **29/303,922**

(22) Filed: **Feb. 20, 2008**

(51) **LOC (9) Cl.** **14-02**

(52) **U.S. Cl.** **D14/433**

(58) **Field of Classification Search** D14/356–358, D14/383–385, 432–439, 442, 447, 451, 453, D14/474, 155, 217, 242, 299; D13/107, D13/108, 118, 120, 123, 133, 146, 147, 154, D13/158, 182, 184, 199; 361/679, 685, 686, 361/724–728, 683, 639; 439/668, 669, 701, 439/660, 607, 296; 455/351, 353, 325

See application file for complete search history.

(56) **References Cited**

U.S. PATENT DOCUMENTS

D240,433 S *	7/1976	Krapowicz	D13/108
D368,260 S *	3/1996	Oschmann et al.	D14/137
D426,190 S *	6/2000	Higgins et al.	D13/119
D438,169 S *	2/2001	Minagawa et al.	D13/103
D455,431 S *	4/2002	Freitag et al.	D14/433
D463,359 S *	9/2002	Nawrozki	D13/107
D465,223 S *	11/2002	Milan	D14/434
D469,761 S *	2/2003	Nussberger	D14/341
D473,515 S *	4/2003	Salazar et al.	D13/107
D480,074 S *	9/2003	Tuhkanen	D14/242
D481,674 S *	11/2003	Sade et al.	D13/108
D487,470 S *	3/2004	Cobigo	D14/496
6,910,911 B2	6/2005	Mellott et al.		

D524,731 S *	7/2006	Navarrez et al.	D13/108
D525,581 S *	7/2006	Rad et al.	D13/103
D543,148 S *	5/2007	Suckle et al.	D13/146
D554,642 S	11/2007	Suwalski et al.		
D562,761 S *	2/2008	Ueda et al.	D13/107
D569,848 S *	5/2008	Suzuki	D14/217
D571,289 S *	6/2008	Michaeli	D13/103
D572,230 S *	7/2008	Neu et al.	D14/155
D572,712 S *	7/2008	Ledbetter et al.	D14/432

* cited by examiner

Primary Examiner—Cathron C Brooks

Assistant Examiner—Deanna Fluegeman

(74) *Attorney, Agent, or Firm*—Wood, Herron & Evans, LLP

(57) **CLAIM**

The ornamental design for a connector for a peripheral device, as shown and described.

DESCRIPTION

FIG. 1 is a front perspective view of the invention, with broken lines showing a mobile device to which the connector of the invention is connected;

FIG. 2 is another perspective view of the invention of FIG. 1;

FIG. 3 is a front elevational view of the invention of FIG. 2;

FIG. 4 is a rear elevational view of FIG. 2;

FIG. 5 is a left side elevational view of FIG. 2;

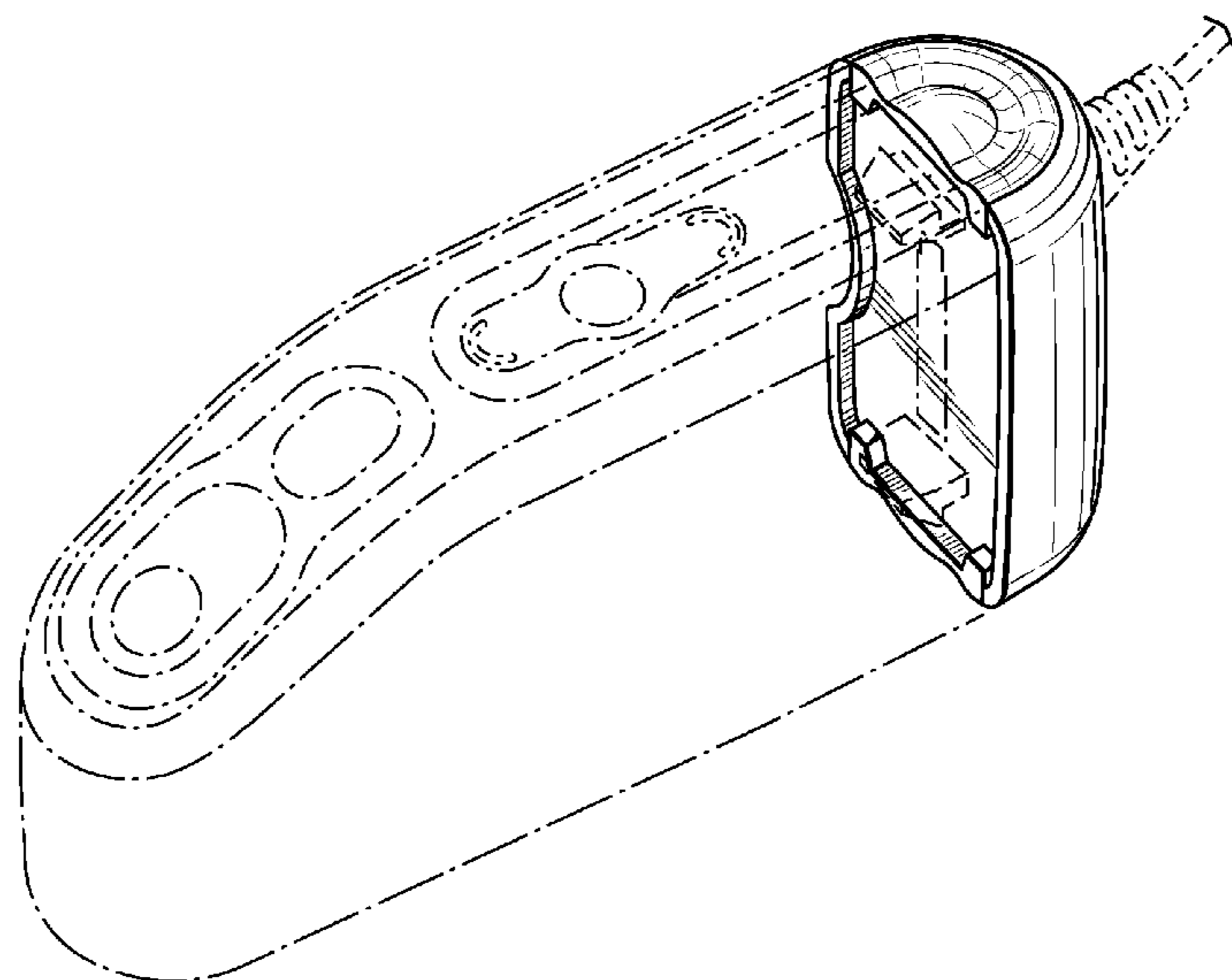
FIG. 6 is a right side elevational view of FIG. 2;

FIG. 7 is a top view of FIG. 2; and,

FIG. 8 is a bottom view of FIG. 2.

The broken line showing of the mobile device in FIG. 1 is included for the purpose of illustrating environmental structure and forms no part of the claimed design. The portions of the connector for a peripheral device illustrated in broken lines form no part of the claimed design.

1 Claim, 2 Drawing Sheets



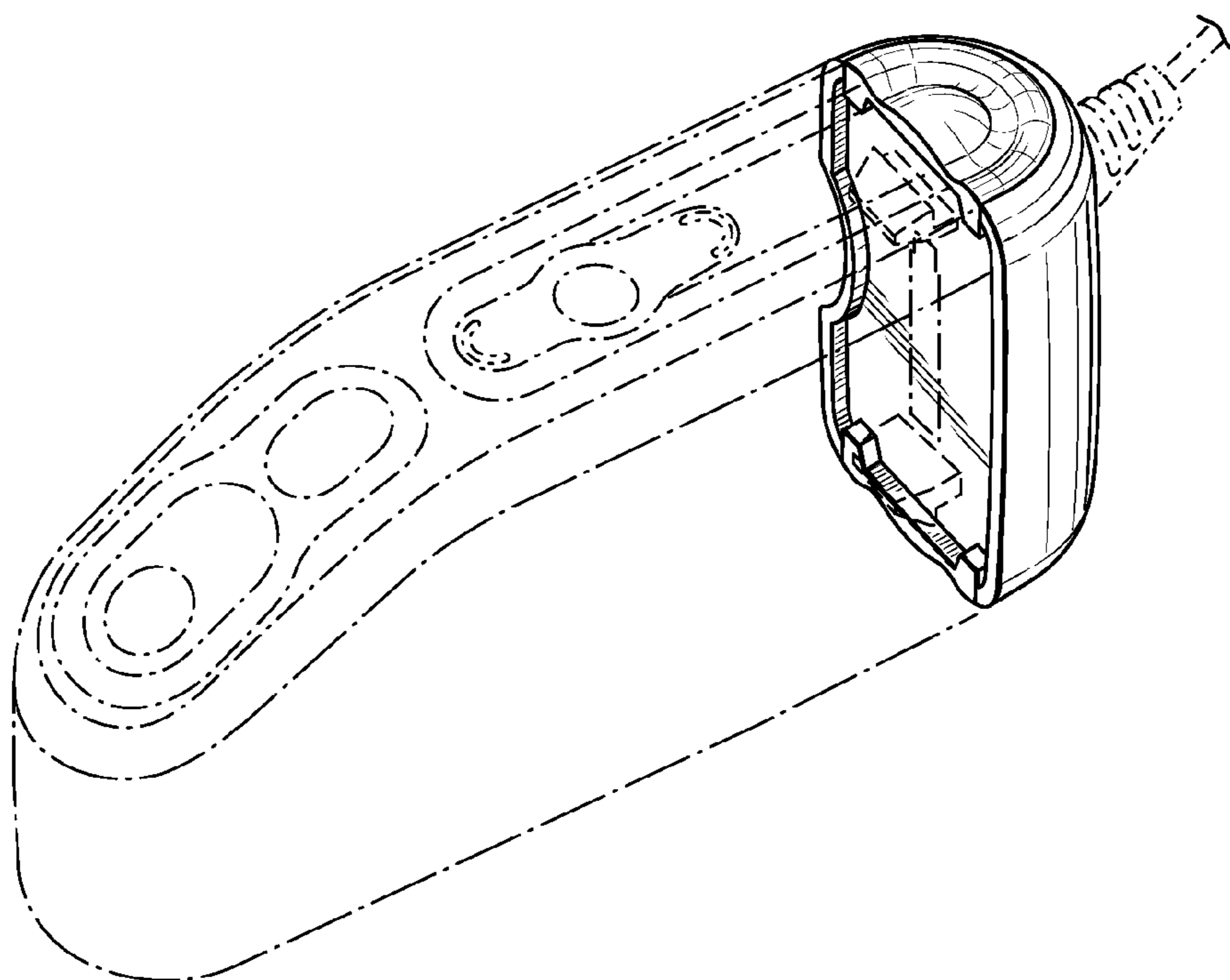


FIG. 1

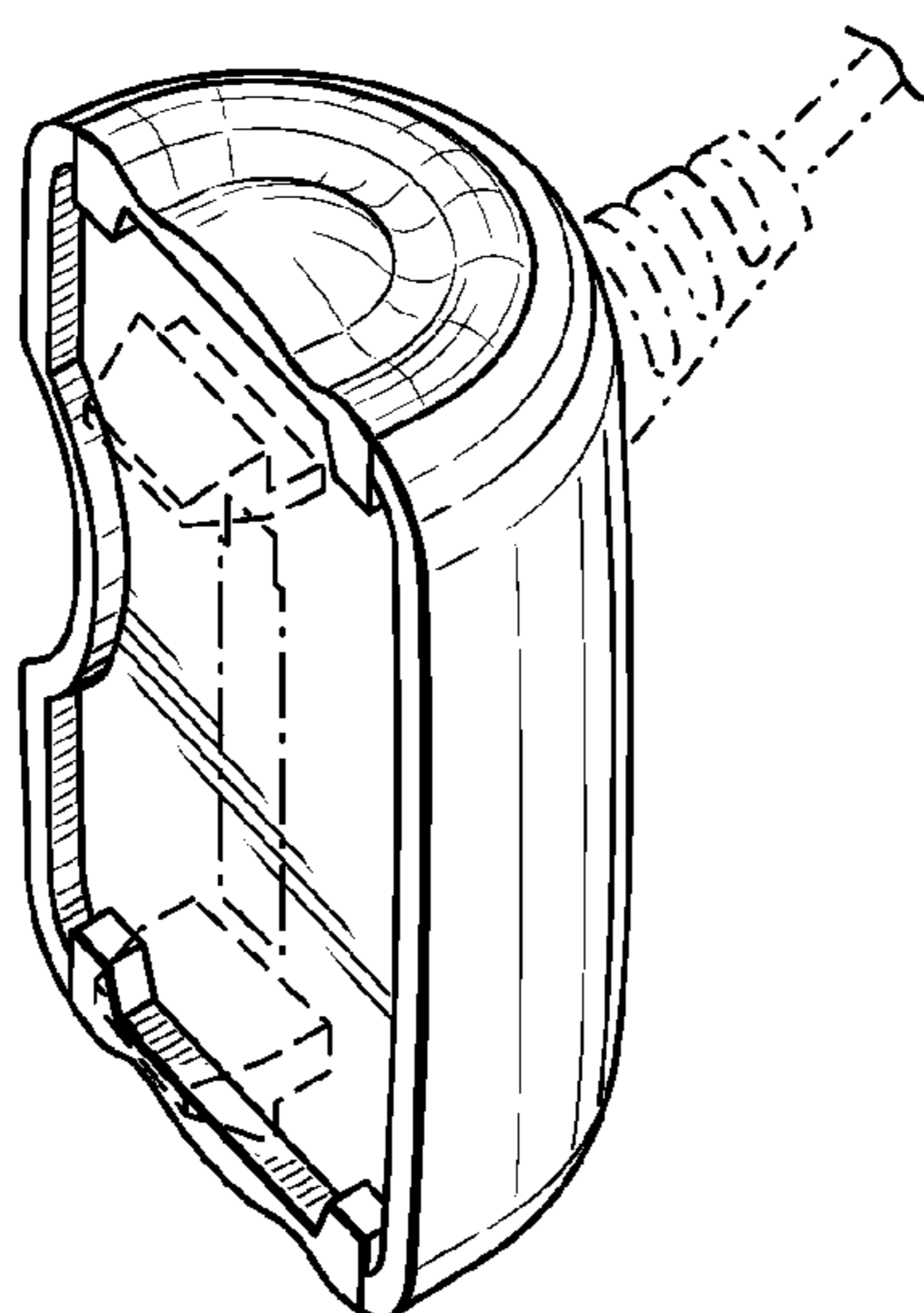


FIG. 2

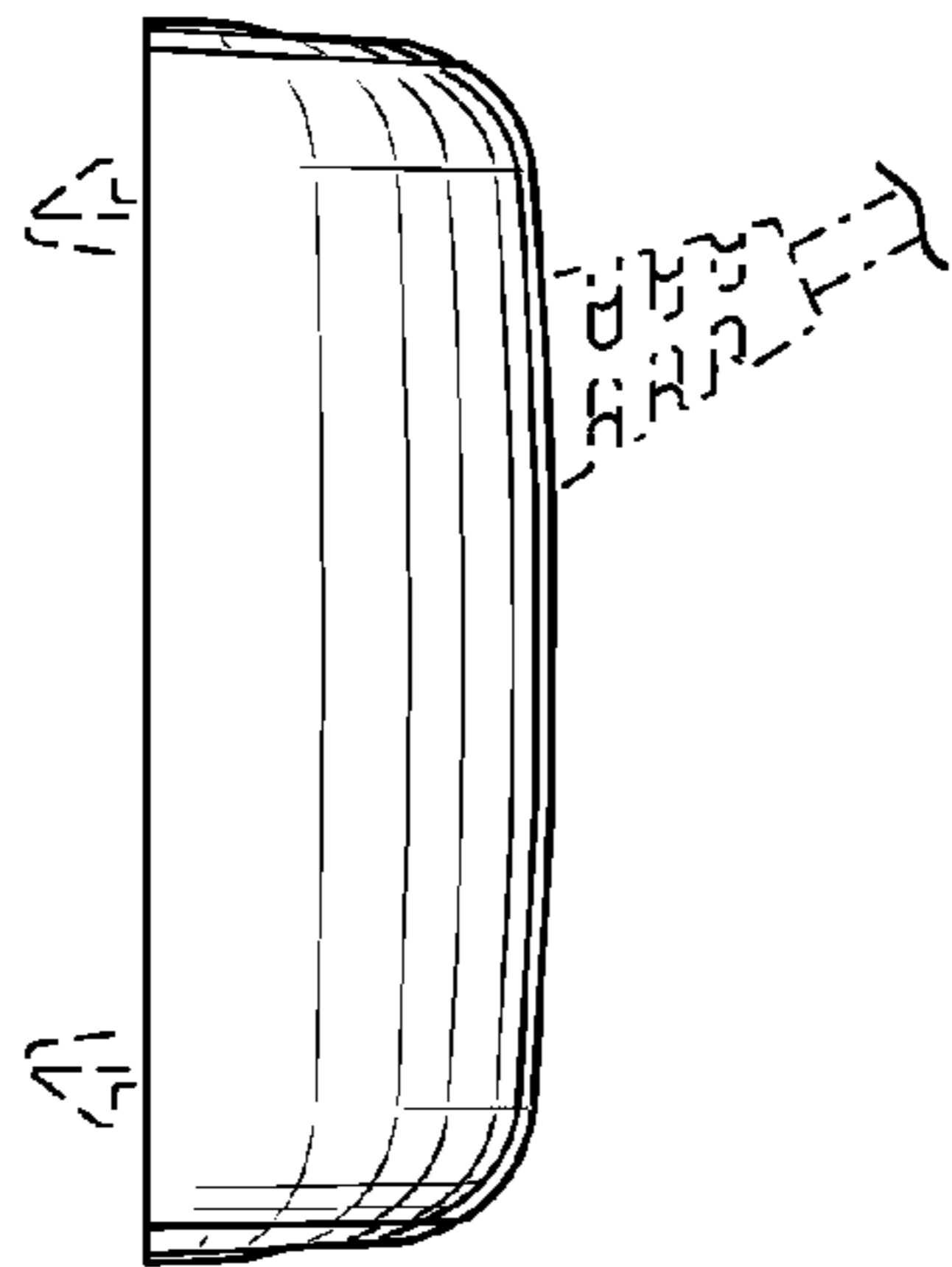


FIG. 3

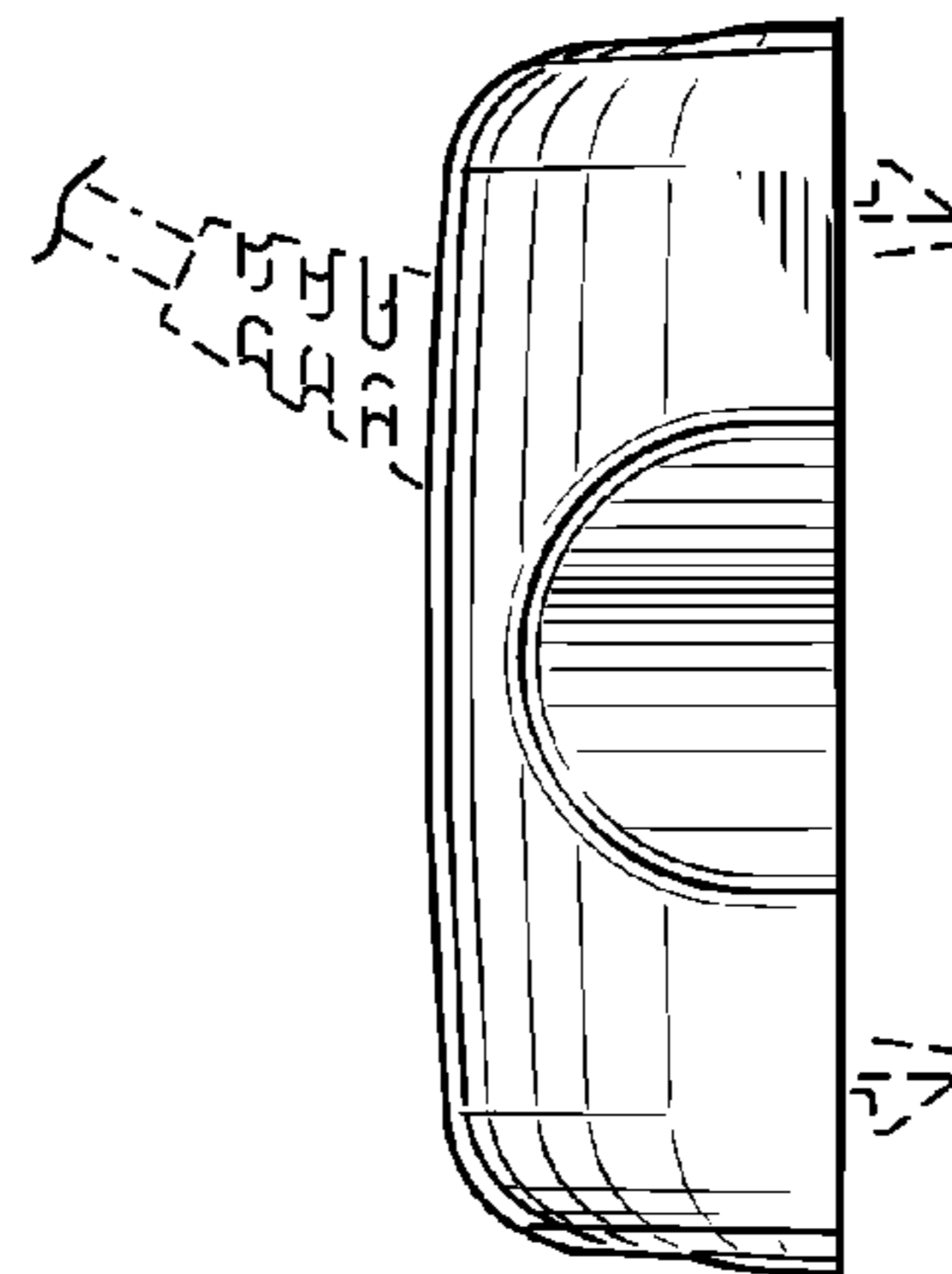


FIG. 4

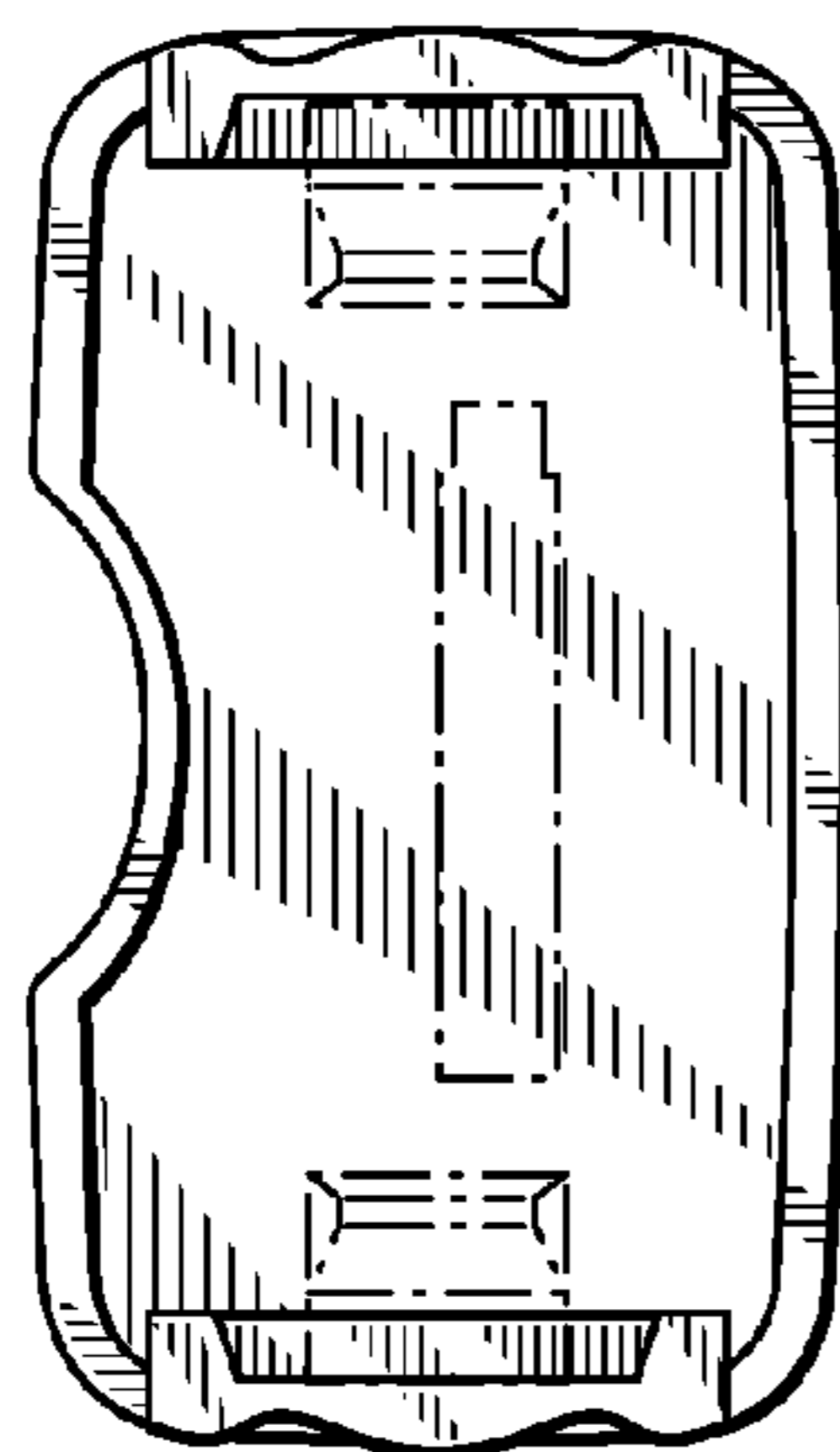


FIG. 5

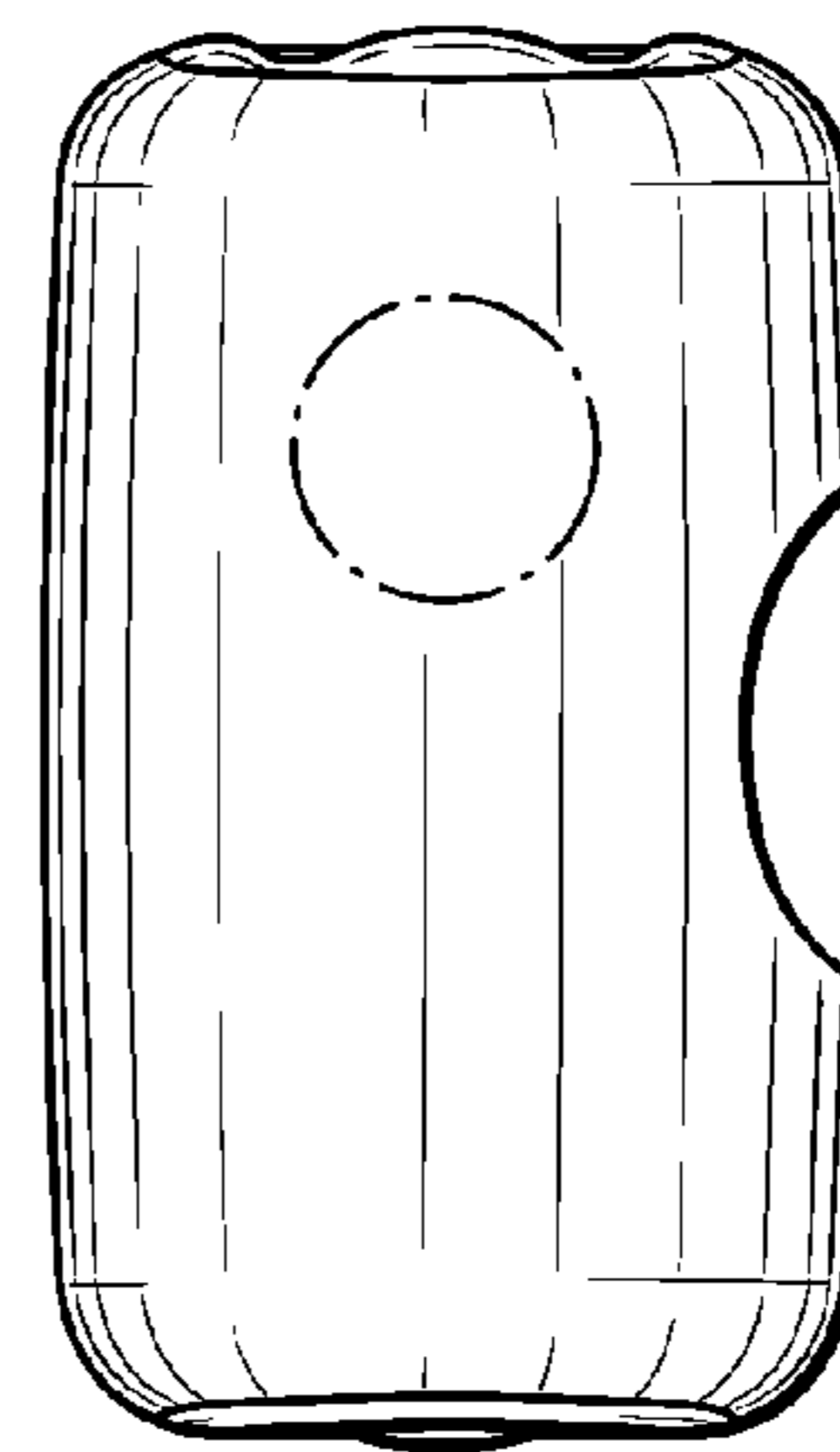


FIG. 6

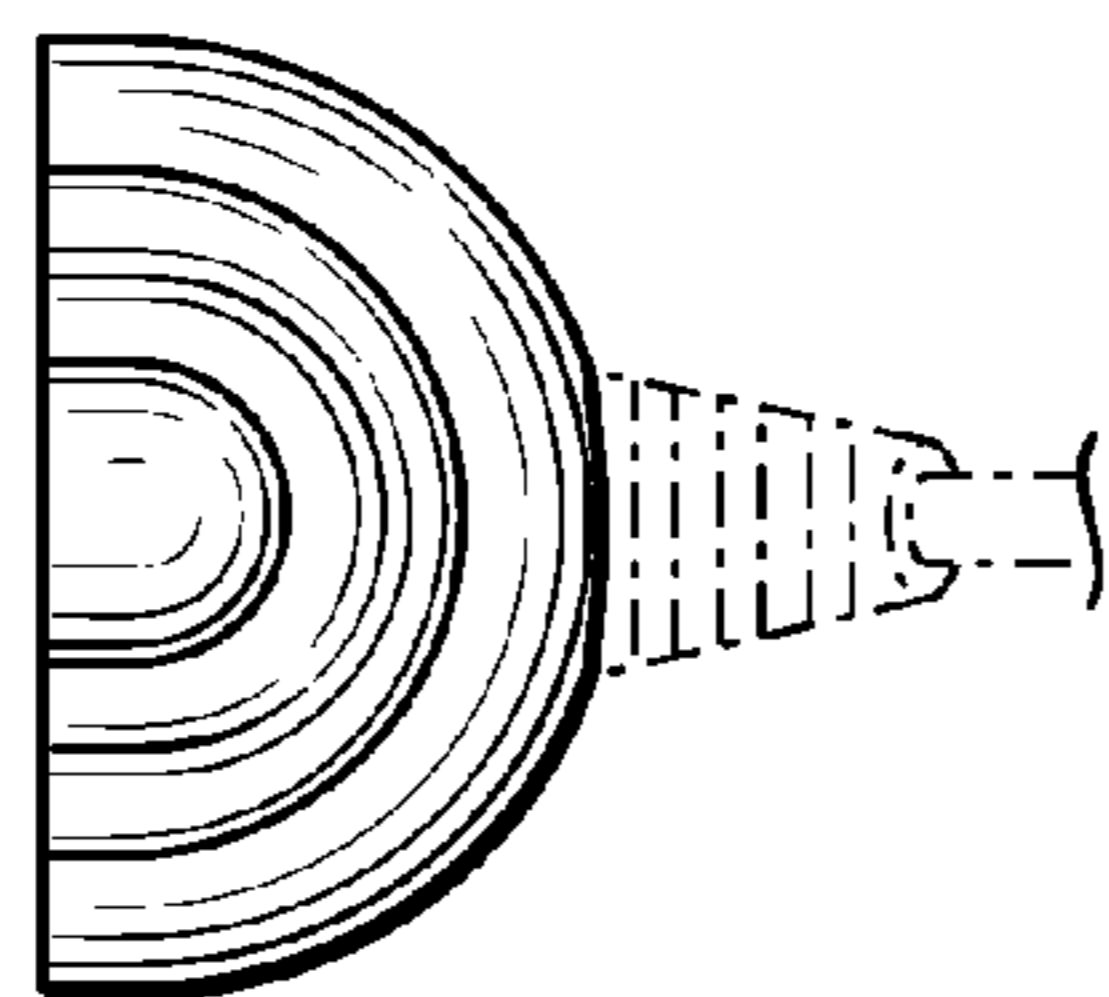


FIG. 7

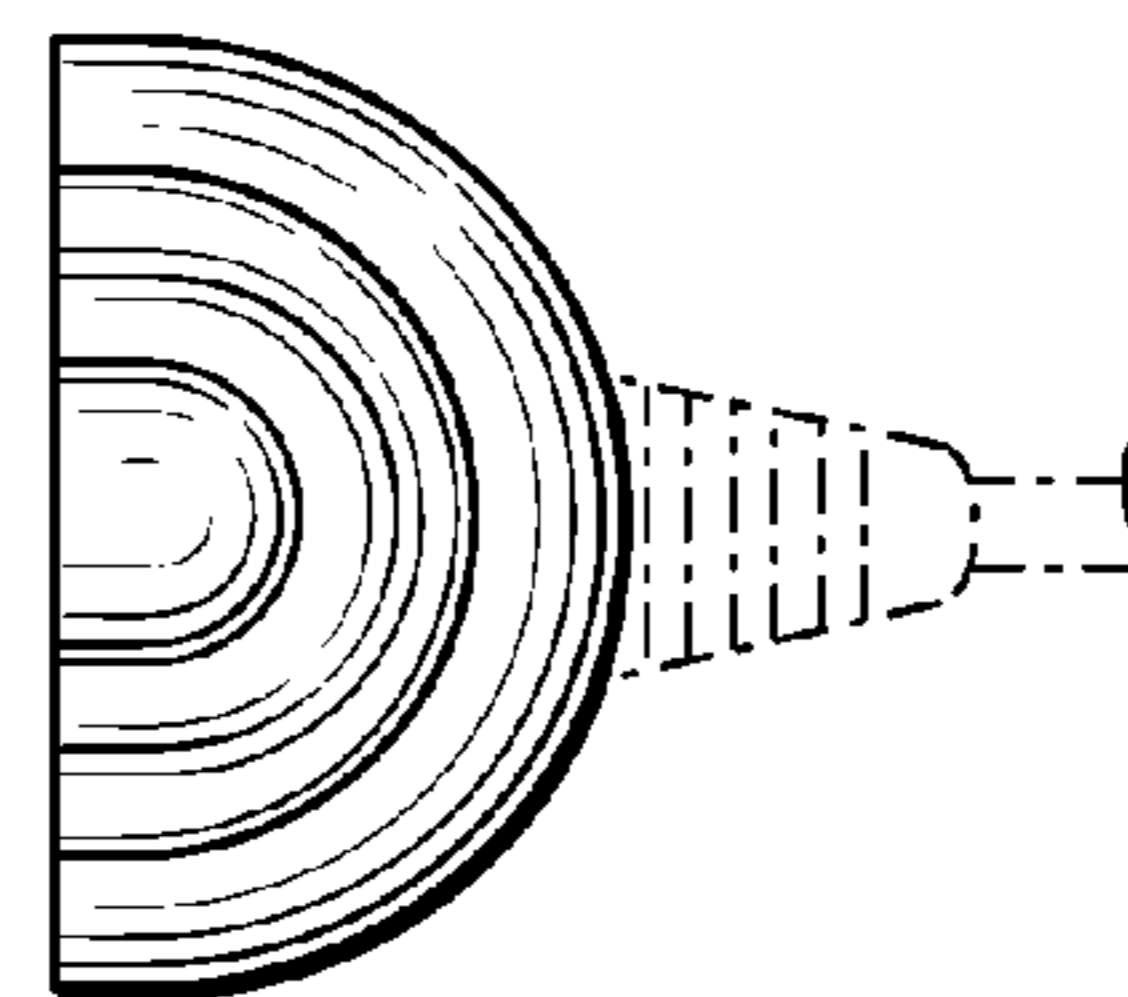


FIG. 8