



US00D585887S

(12) **United States Design Patent**
Shimizu

(10) **Patent No.:** **US D585,887 S**

(45) **Date of Patent:** **** Feb. 3, 2009**

(54) **COMPUTER**

(75) Inventor: **Yosuke Shimizu**, Tokyo (JP)

(73) Assignee: **Sony Corporation**, Tokyo (JP)

(**) Term: **14 Years**

(21) Appl. No.: **29/267,258**

(22) Filed: **Oct. 11, 2006**

(30) **Foreign Application Priority Data**

Apr. 11, 2006 (JP) 2006-009373
Apr. 11, 2006 (JP) 2006-009377

(51) **LOC (9) Cl.** **14-02**

(52) **U.S. Cl.** **D14/336; D14/371**

(58) **Field of Classification Search** D14/328,
D14/331, 336-337, 343, 371-376, 125-129;
248/917-924; 341/12; 345/1.1, 104, 156,
345/157, 168, 173; 348/180, 184, 352, 739;
349/1, 2, 11, 62; 361/680-686

See application file for complete search history.

(56) **References Cited**

U.S. PATENT DOCUMENTS

D294,578 S * 3/1988 Yubisui D14/328
D298,537 S * 11/1988 Walters et al. D14/328
D319,222 S * 8/1991 Mizusugi et al. D14/331
5,260,884 A * 11/1993 Stern 361/680
D373,347 S * 9/1996 Ashley et al. D14/343
D378,083 S * 2/1997 Ando D14/336
D380,213 S 6/1997 Morimiya
D441,732 S 5/2001 Ota
D454,845 S 3/2002 Niitsu
D471,191 S * 3/2003 Yu et al. D14/331
D479,230 S * 9/2003 Hirose et al. D14/337
D488,451 S 4/2004 Niitsu
D500,034 S * 12/2004 Johnson D14/336

D508,914 S * 8/2005 Ishii D14/337

* cited by examiner

Primary Examiner—Freda S Nunn

(74) *Attorney, Agent, or Firm*—Rader, Fishman & Grauer, PLLC

(57) **CLAIM**

The ornamental design for a computer, as shown and described.

DESCRIPTION

FIG. 1 is a perspective view of an embodiment of a computer showing my new design;

FIG. 2 is a front elevational view thereof;

FIG. 3 is a rear elevational view thereof;

FIG. 4 is a left side elevational view thereof;

FIG. 5 is a right side elevational view thereof;

FIG. 6 is a top plan view thereof;

FIG. 7 is a bottom plan view thereof;

FIG. 8 is a left side elevational view thereof, wherein a supporting portion is in the open position;

FIG. 9 is a perspective view of another embodiment of a computer showing my new design;

FIG. 10 is a front elevational view thereof;

FIG. 11 is a rear elevational view thereof;

FIG. 12 is a left side elevational view thereof;

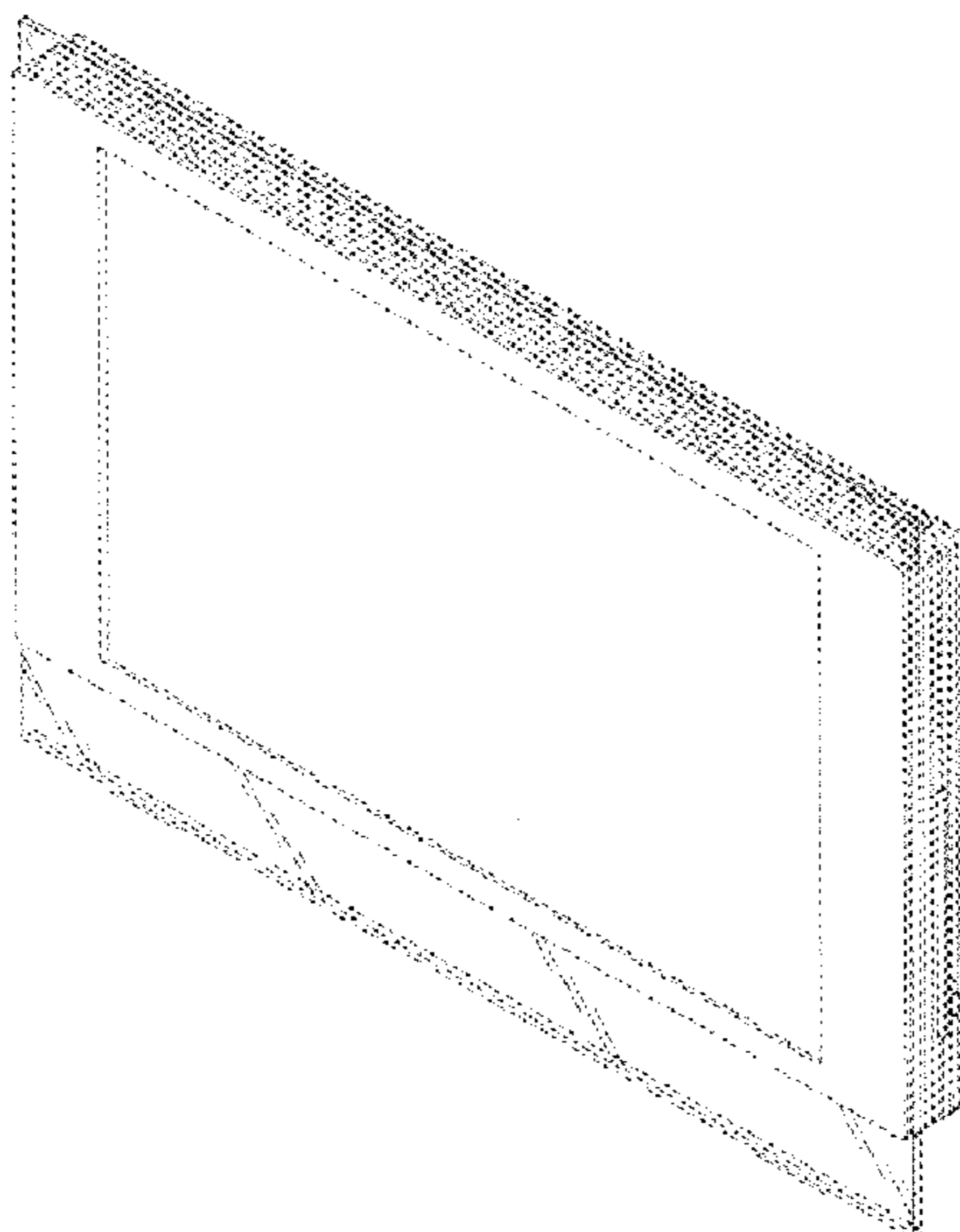
FIG. 13 is a right side elevational view thereof;

FIG. 14 is a top plan view thereof; and,

FIG. 15 is a bottom plan view thereof.

Portions of FIGS. 1-15 that are shown as broken lines are for illustrative purpose only and form no part of the claimed design.

1 Claim, 15 Drawing Sheets



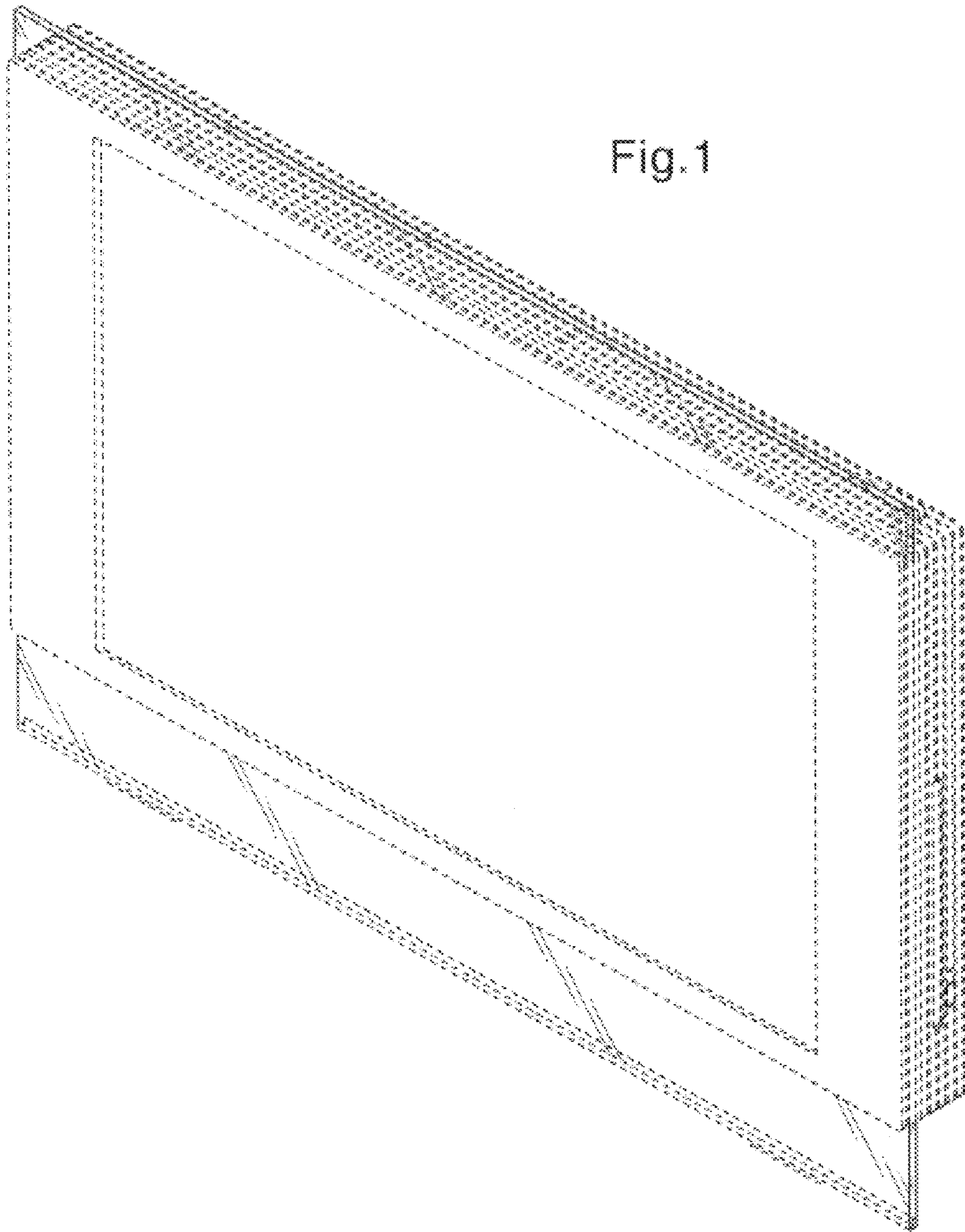


Fig. 1

Fig.2

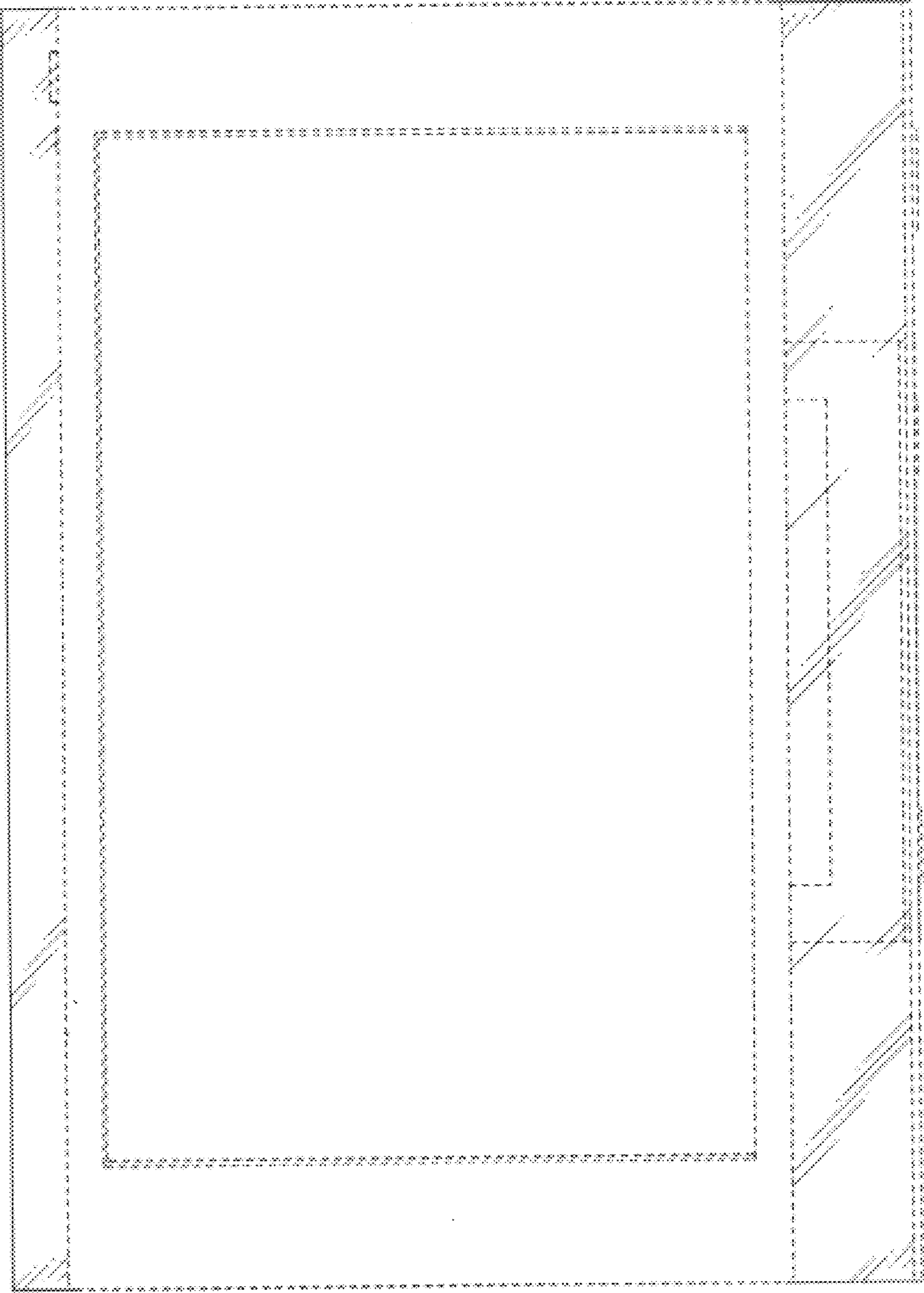


Fig. 3

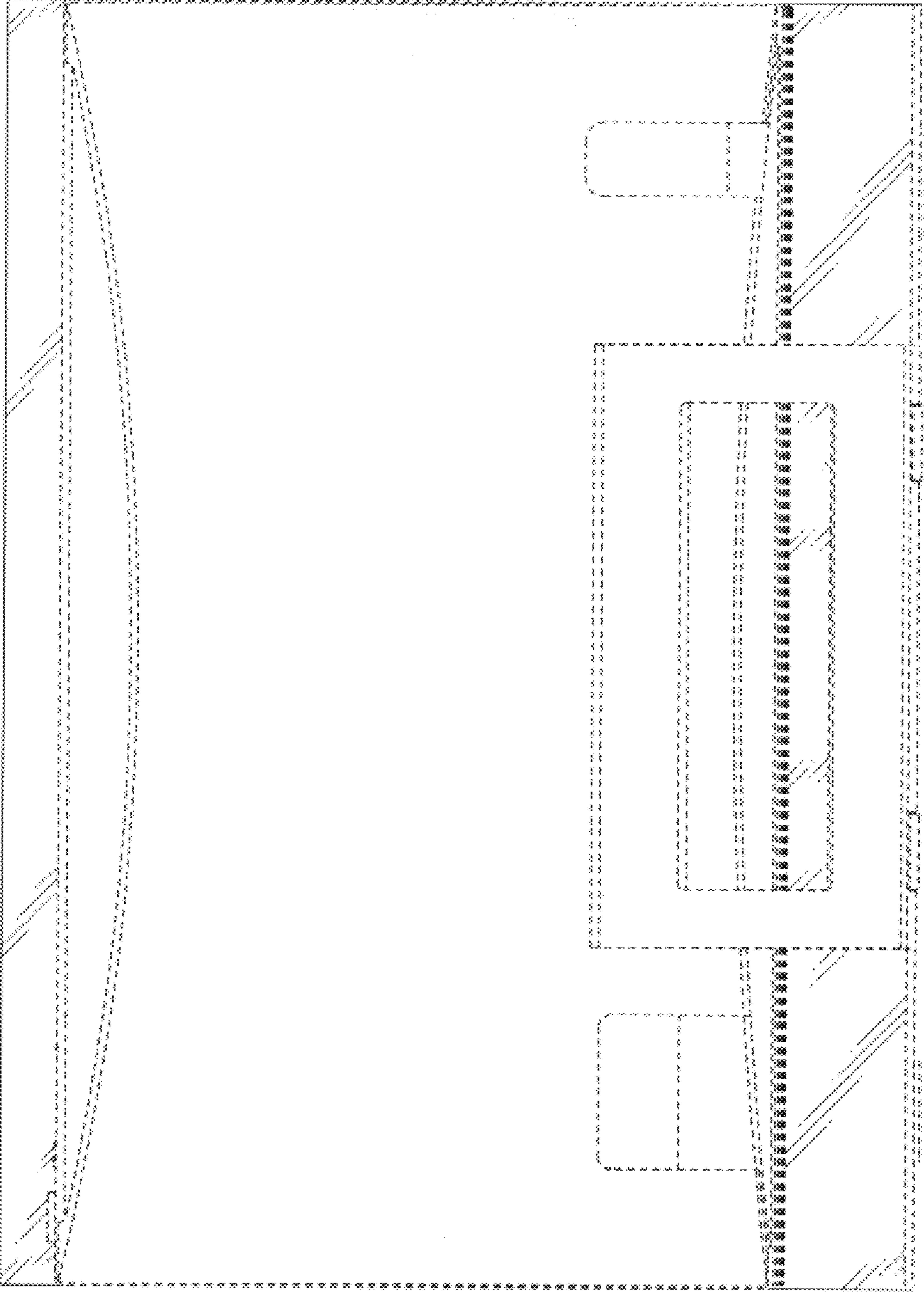


Fig.4

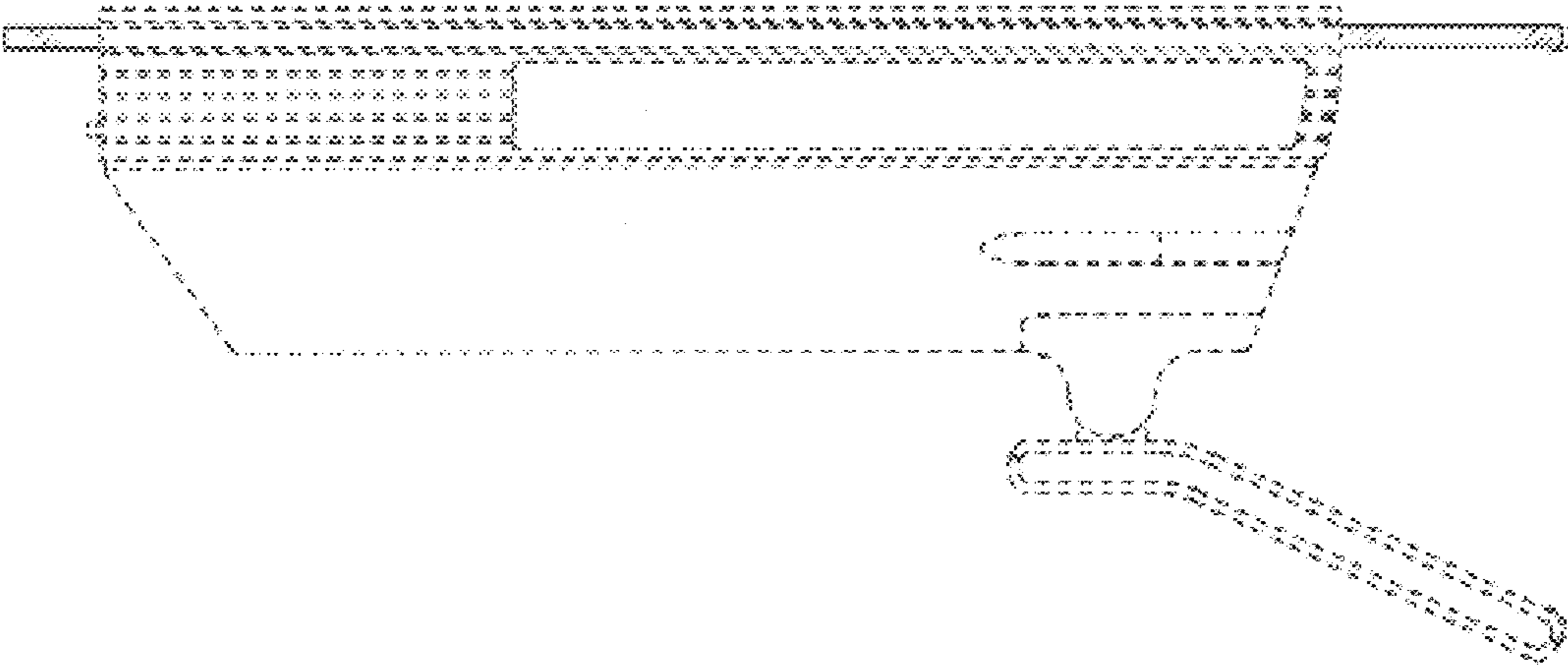


Fig. 5

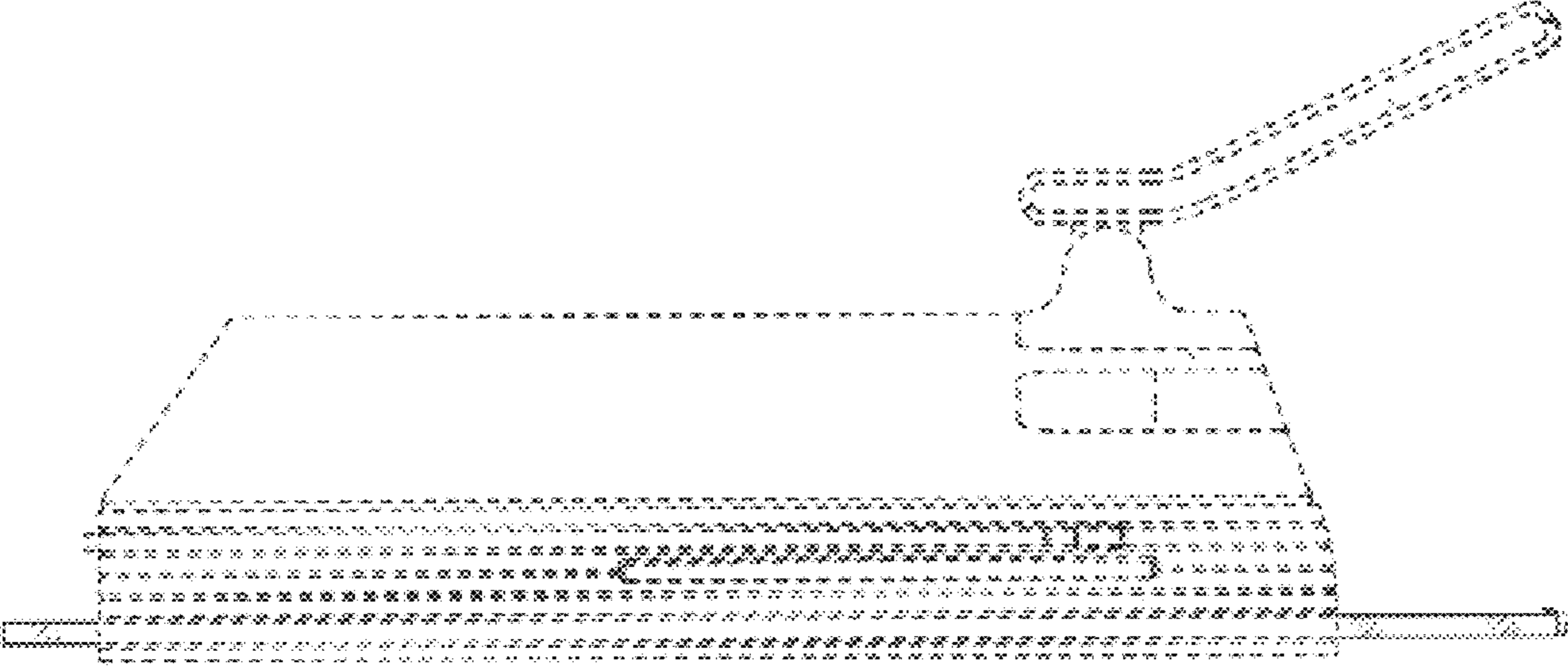


Fig. 6

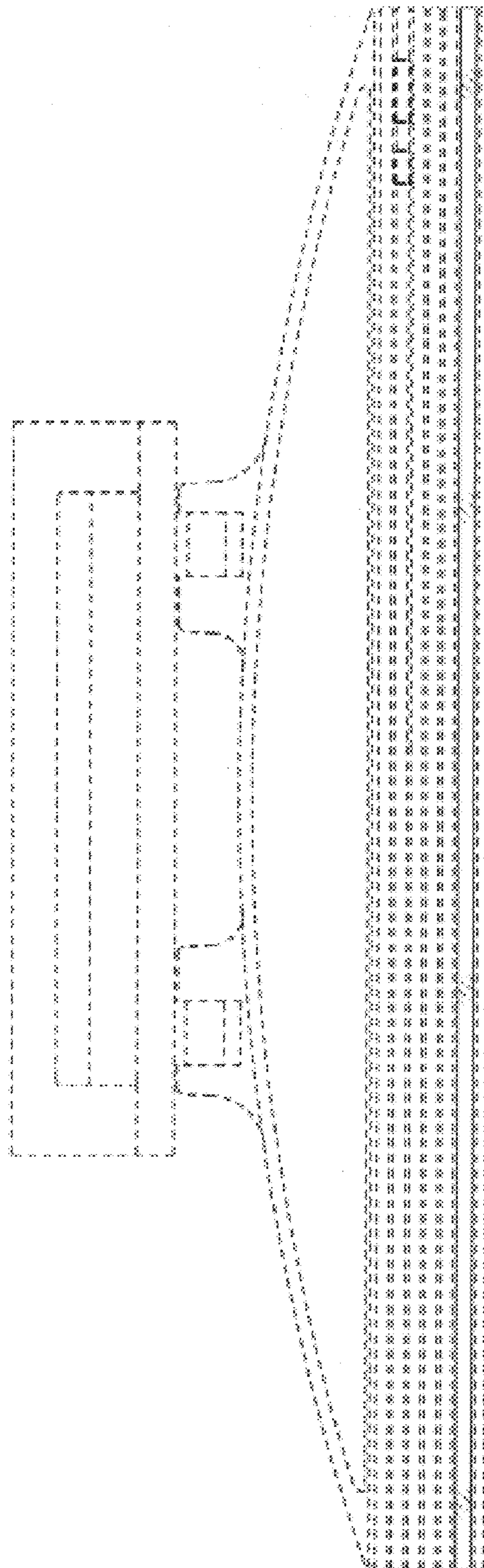


Fig. 7

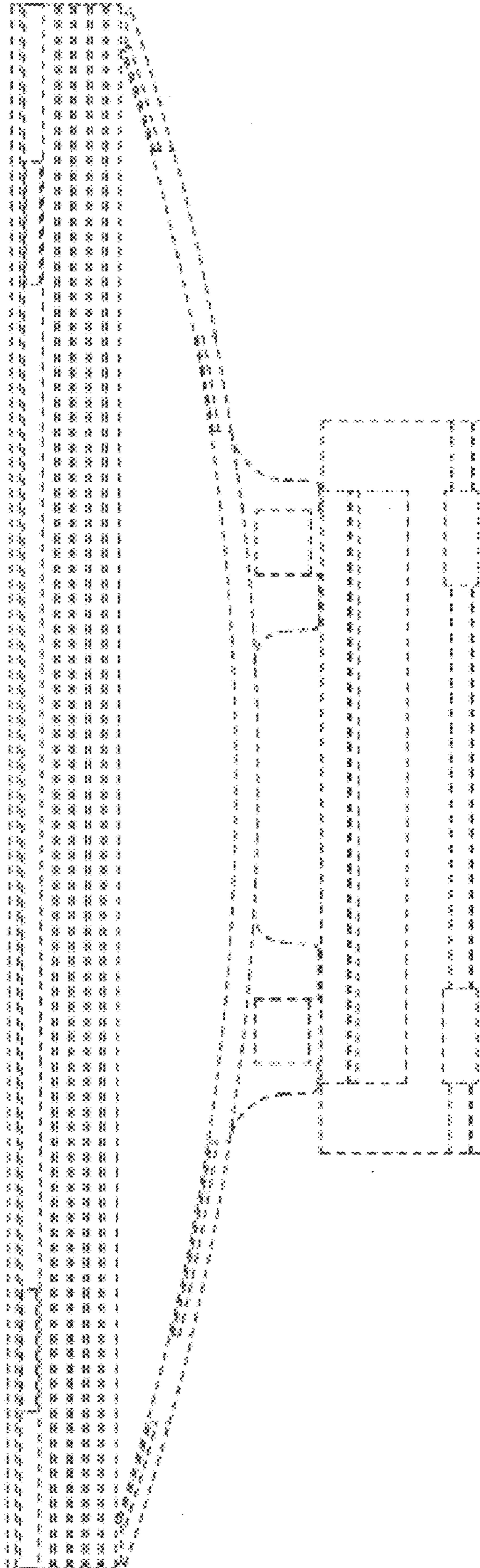
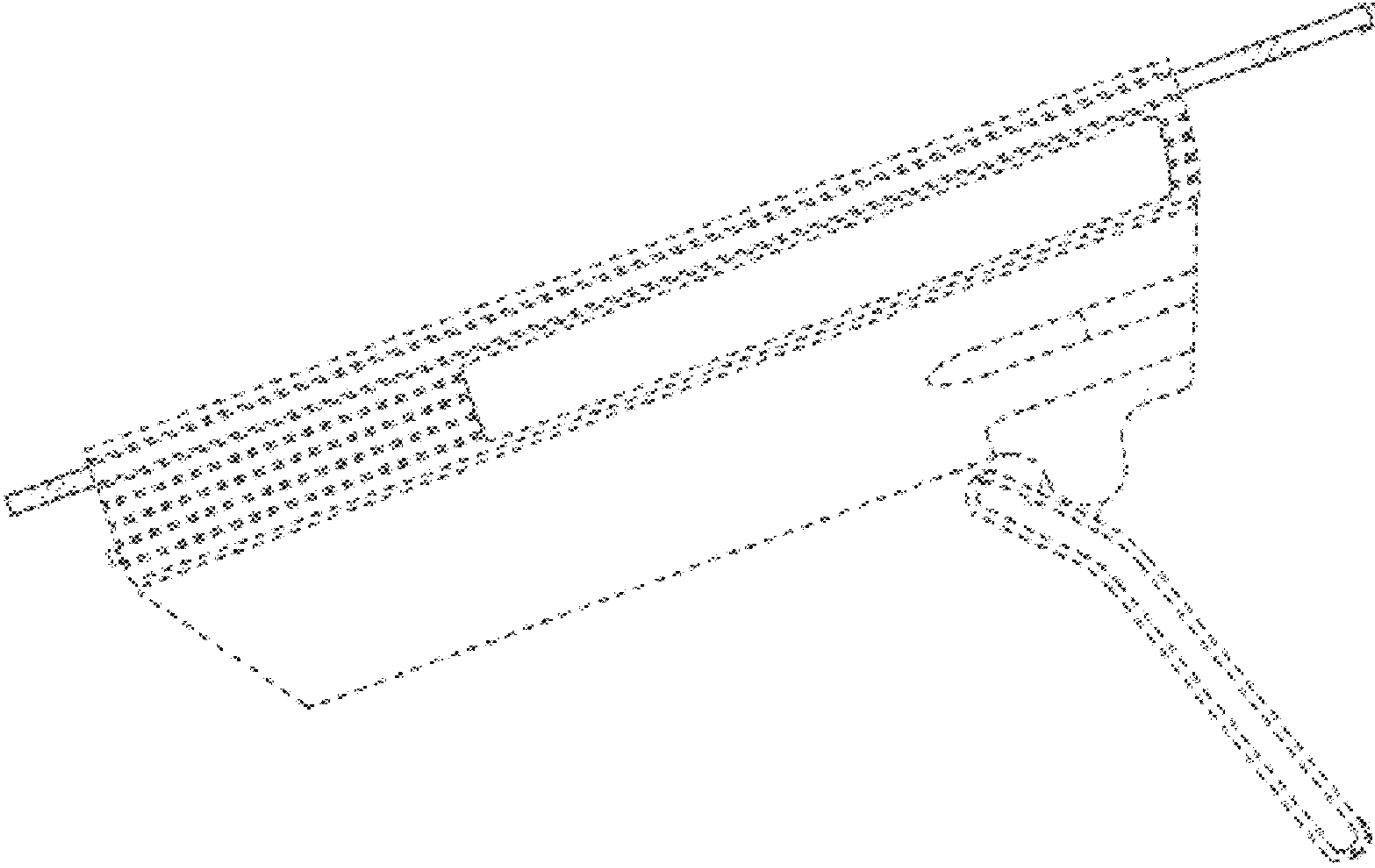


Fig. 8



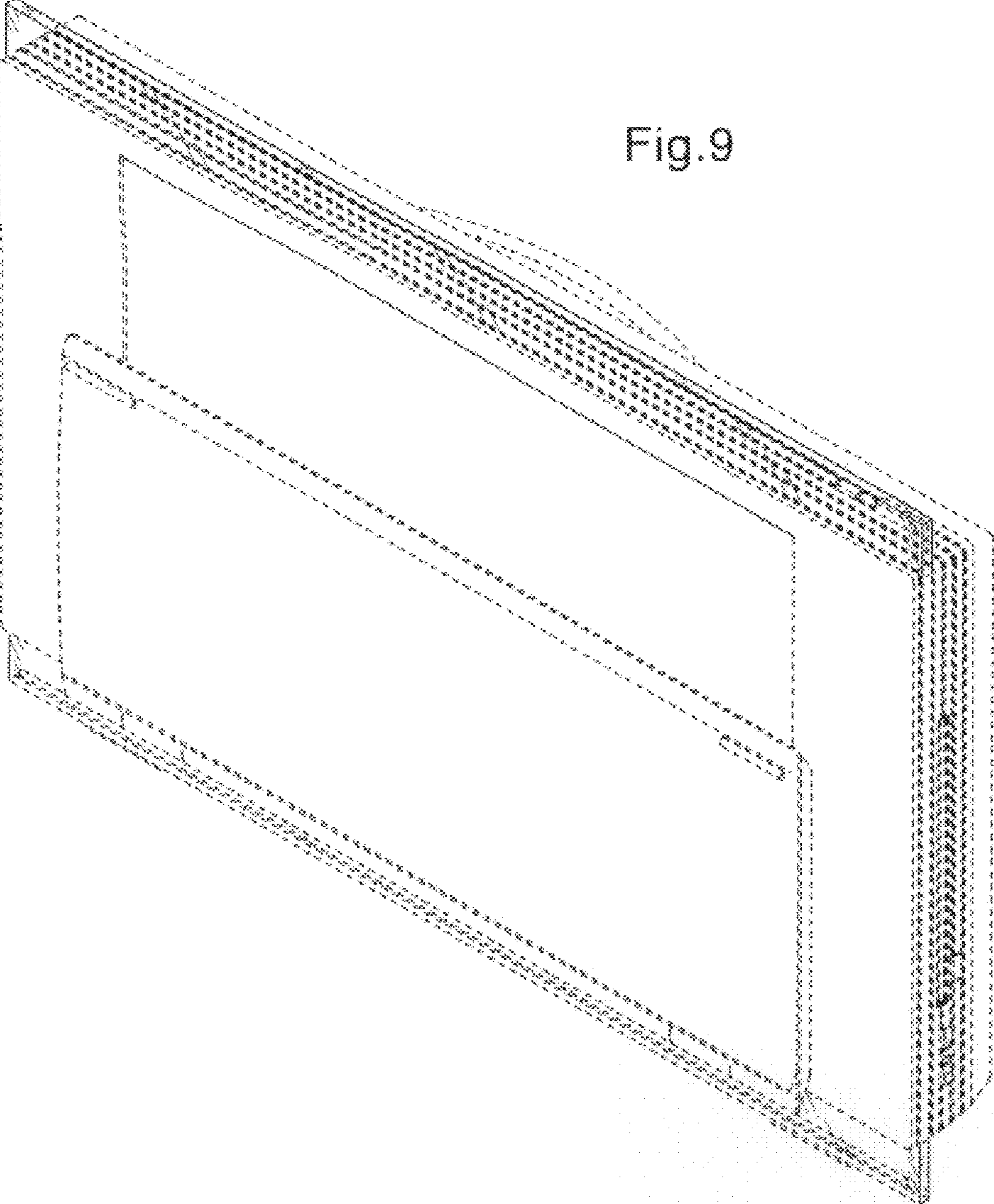


Fig. 9

Fig. 10

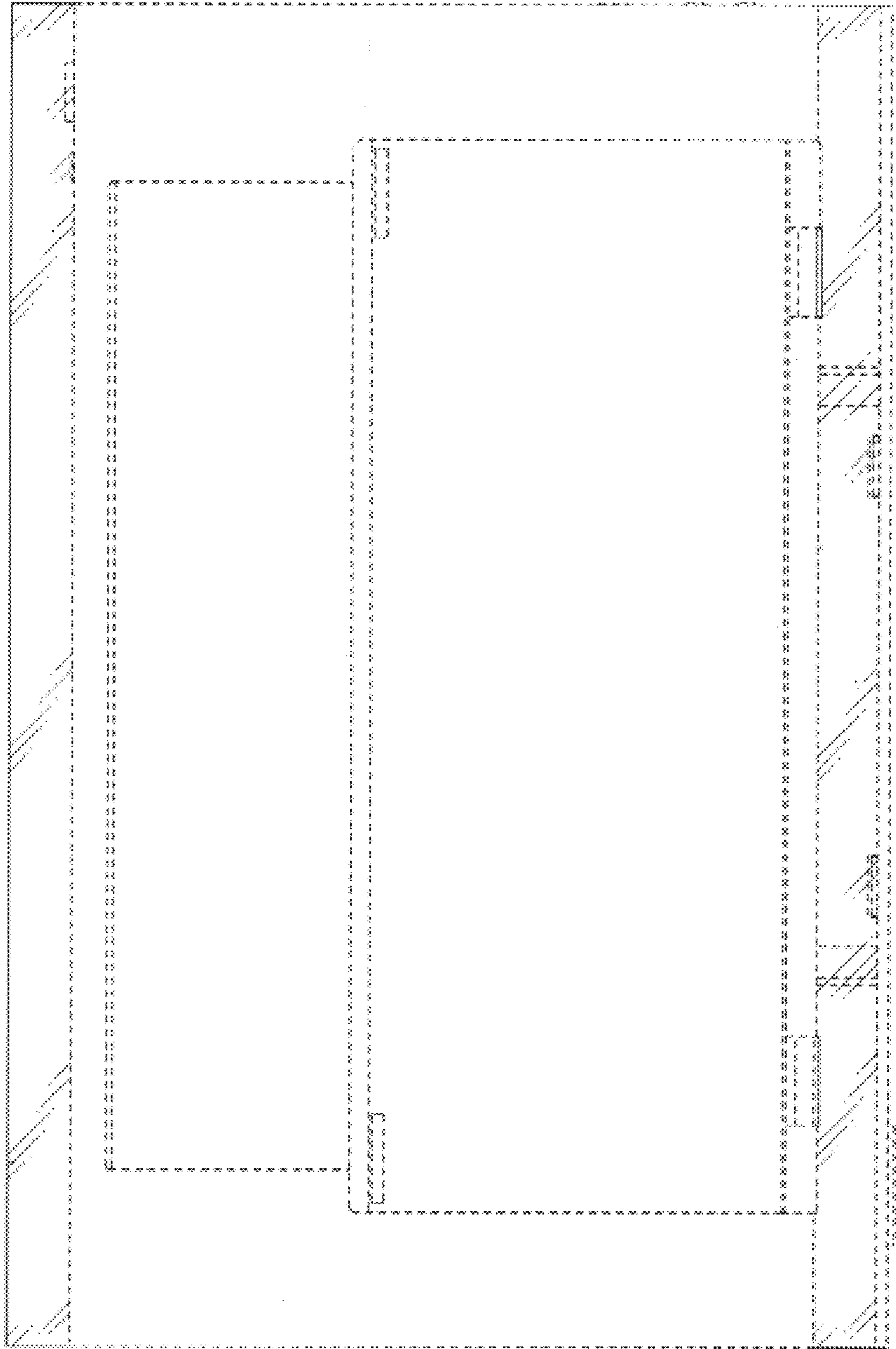


Fig. 11

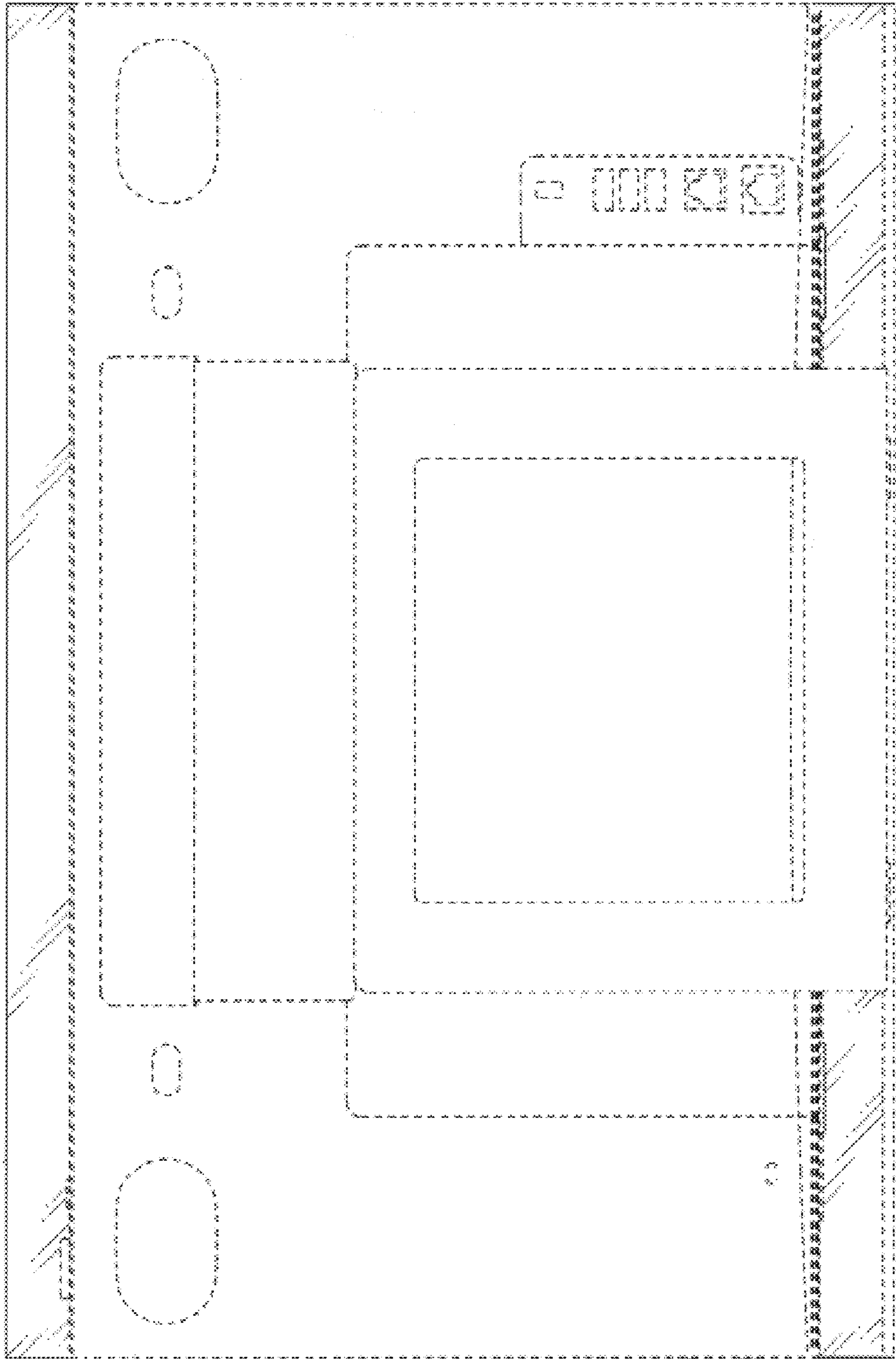


Fig. 12

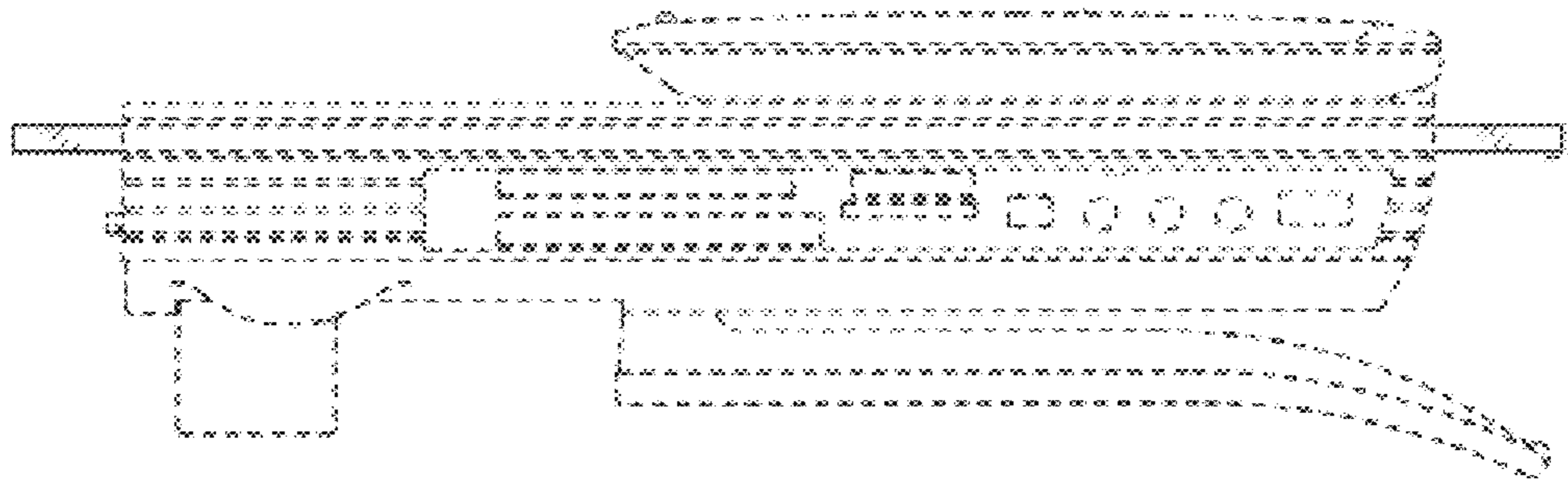


Fig. 13

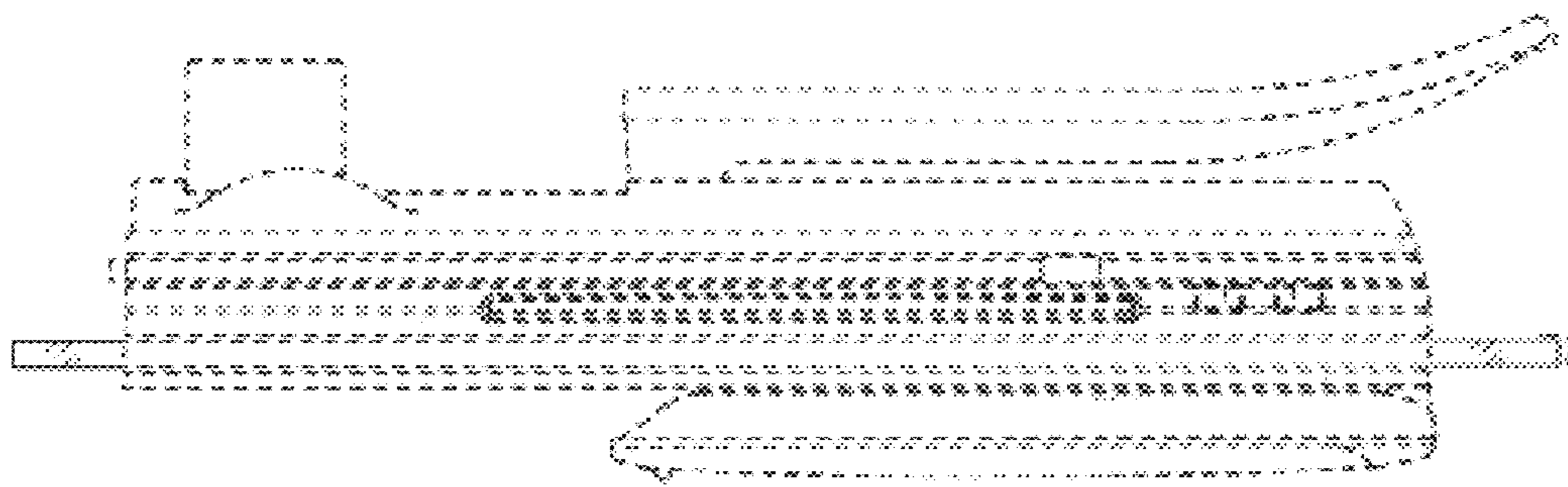


Fig. 14

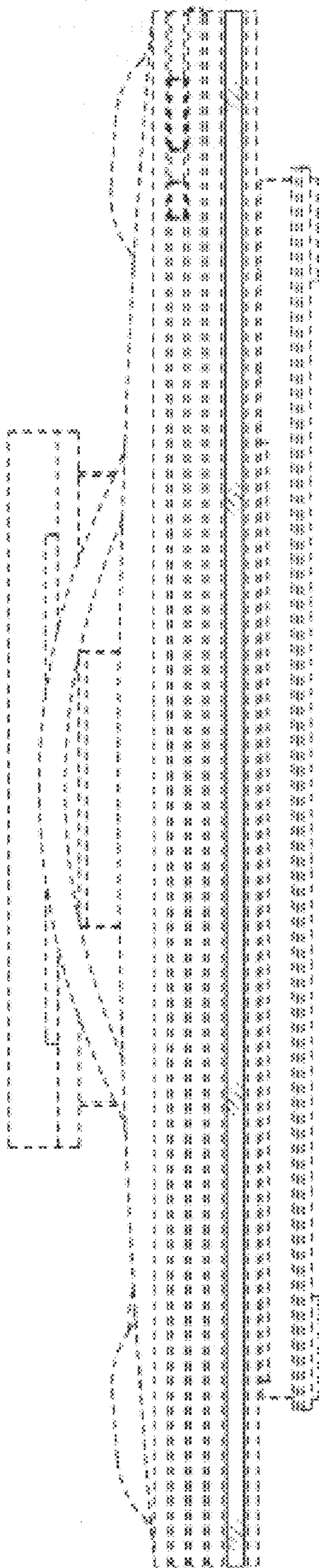


Fig. 15

