



US00D585885S

(12) **United States Design Patent**  
**Laine**

(10) **Patent No.:** **US D585,885 S**  
(45) **Date of Patent:** **\*\* Feb. 3, 2009**

(54) **KEYPAD FOR A HANDSET**

(75) Inventor: **Aki Laine**, København (DK)

(73) Assignee: **Nokia Corporation**, Espoo (FI)

(\*\*) Term: **14 Years**

(21) Appl. No.: **29/305,928**

(22) Filed: **Mar. 31, 2008**

(51) **LOC (9) Cl.** ..... **14-03**

(52) **U.S. Cl.** ..... **D14/247**

(58) **Field of Classification Search** ..... D14/137,  
D14/138 R, 138 AA, 138 AB, 138 AC, 138 AD,  
D14/138 C, 138 G, 147, 191, 218, 247-248,  
D14/341-347, 455, 496; D10/65, 78, 104;  
D13/168; D18/7; 455/556.1, 556, 575.1,  
455/575.3; 345/169

See application file for complete search history.

(56) **References Cited**

**U.S. PATENT DOCUMENTS**

D491,930 S *	6/2004	Widiaman	.....	D14/247
D500,992 S *	1/2005	Shen et al.	.....	D14/138 AA
D507,562 S *	7/2005	Kim	.....	D14/247
D507,563 S *	7/2005	Moss	.....	D14/247
D521,478 S *	5/2006	Lee et al.	.....	D14/138 AB
D534,530 S *	1/2007	Pitt et al.	.....	D14/247
D539,791 S *	4/2007	Sheu	.....	D14/247
D549,699 S *	8/2007	Bower	.....	D14/247
D550,220 S *	9/2007	Lyles	.....	D14/247
D550,661 S *	9/2007	Fahlgren	.....	D14/247
D564,503 S *	3/2008	Nakajima et al.	.....	D14/247
D567,784 S *	4/2008	Lee et al.	.....	D14/138 AB

D567,786 S *	4/2008	Lee et al.	.....	D14/138 AB
D569,858 S *	5/2008	He	.....	D14/247
D570,339 S *	6/2008	Mehandjiysky et al.	....	D14/247
D578,504 S *	10/2008	Stillerman	.....	D14/138 AB
2005/0130718 A1 *	6/2005	Woo	.....	455/575.3
2007/0021158 A1 *	1/2007	Kim et al.	.....	455/575.3

**OTHER PUBLICATIONS**

Nokia 6650 T-Mobile, announced Mar. 2008, [online], [retrieved on Oct. 3, 2008]. Retrieved from Internet ,<URL: http://www.gsmarena.com>.\*

Nokia 6600 fold, announced Apr. 2008, [online], [retrieved on Oct. 3, 2008]. Retrieved from Internet ,<URL: http://www.gsmarena.com>.\*

Nokia Model #6233, Nokia Corporation, 4 color sheets of photographs, disclosed on or about Dec. 2005.

\* cited by examiner

*Primary Examiner*—Jeffrey D Asch

*Assistant Examiner*—Bridget L Eland

(74) *Attorney, Agent, or Firm*—Banner & Witcoff, Ltd.

(57) **CLAIM**

The ornamental design for a keypad for a handset, as shown and described.

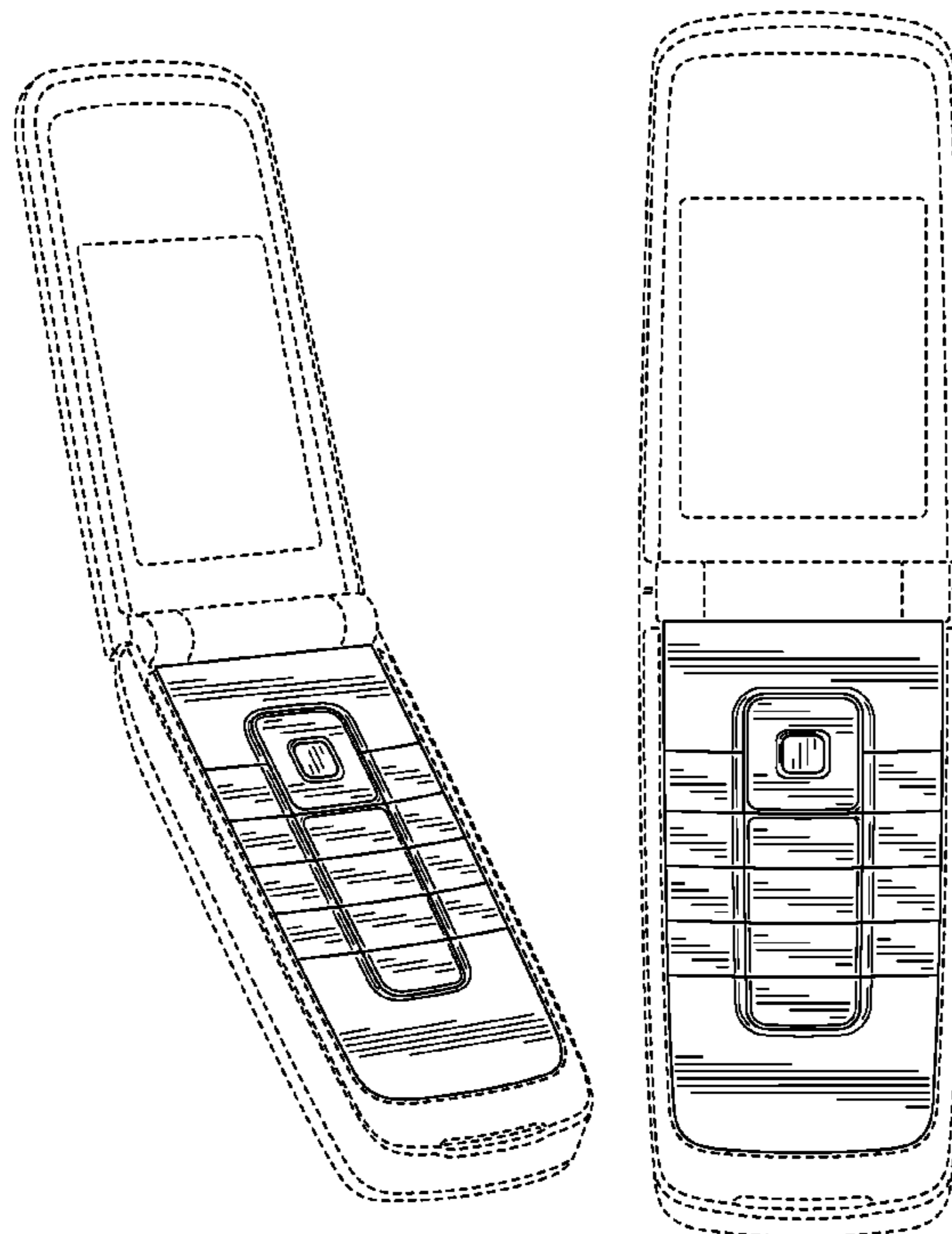
**DESCRIPTION**

FIG. 1 is a front perspective view of a keypad for a handset showing my new design; and,

FIG. 2 is a front view thereof.

The broken line showing of the remainder of the handset is directed to environment, is for illustrative purposes only, and forms no part of the claimed design.

**1 Claim, 2 Drawing Sheets**



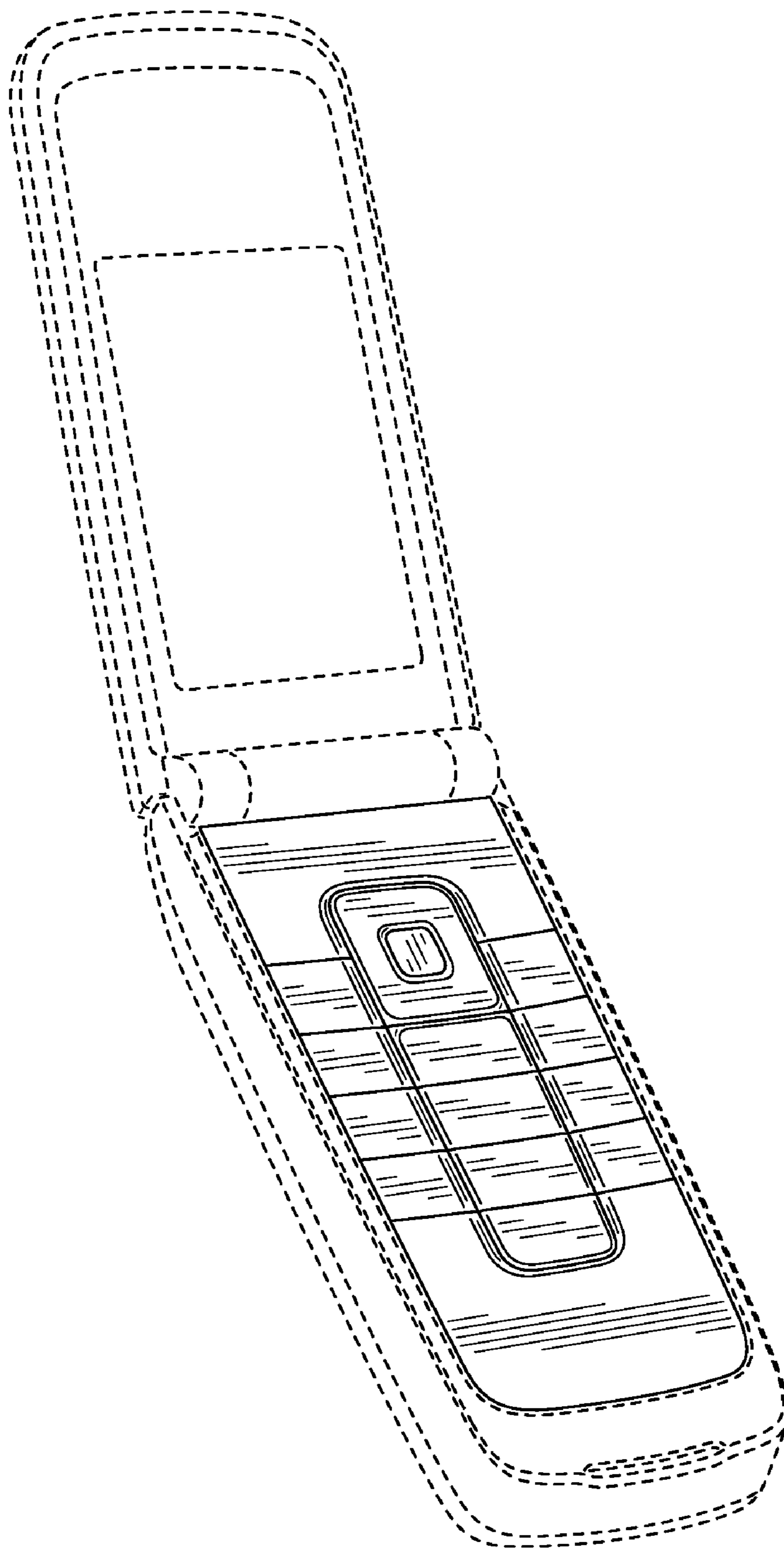


FIG. 1

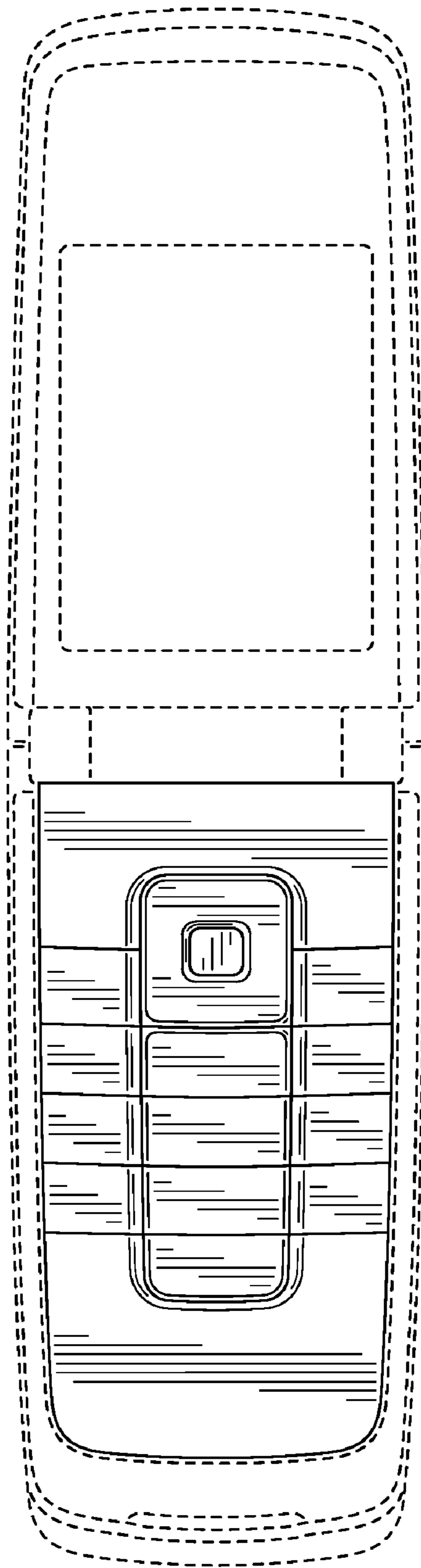


FIG. 2