



US00D585883S

(12) **United States Design Patent**  
**Kaneko**

(10) **Patent No.:** **US D585,883 S**

(45) **Date of Patent:** **\*\* Feb. 3, 2009**

(54) **ANTENNA**

(75) **Inventor:** **Takuji Kaneko**, Daito (JP)

(73) **Assignee:** **Funai Electric Company Limited**,  
Osaka (JP)

(\*\*) **Term:** **14 Years**

(21) **Appl. No.:** **29/322,649**

(22) **Filed:** **Aug. 8, 2008**

(30) **Foreign Application Priority Data**

Mar. 14, 2008 (JP) ..... 2008-0060396

(51) **LOC (9) Cl.** ..... **14-03**

(52) **U.S. Cl.** ..... **D14/230**

(58) **Field of Classification Search** ..... D14/230-238,  
D14/299; 343/700 R, 840, 841, 908; 455/3.02,  
455/FOR. 215, 575.2

See application file for complete search history.

(56) **References Cited**

**U.S. PATENT DOCUMENTS**

2,060,098 A \* 11/1936 McLachlan ..... 181/165  
D310,671 S \* 9/1990 Weiss ..... D14/230  
D345,362 S \* 3/1994 Kadono et al. .... D14/230  
D347,219 S \* 5/1994 McGreevy ..... D14/137  
D357,021 S \* 4/1995 Prince ..... D14/235

D378,368 S \* 3/1997 McGreevy ..... D14/137  
D449,593 S \* 10/2001 Schultz ..... D14/235  
D477,539 S \* 7/2003 Blessing ..... D10/2  
D501,468 S \* 2/2005 Wang ..... D14/235  
D553,124 S \* 10/2007 Joughin et al. .... D14/230  
D558,189 S \* 12/2007 Inoue et al. .... D14/230

\* cited by examiner

*Primary Examiner*—Robert M Spear

*Assistant Examiner*—John Windmuller

(74) *Attorney, Agent, or Firm*—Sughrue Mion, PLLC

(57) **CLAIM**

The ornamental design for an antenna, as shown and described.

**DESCRIPTION**

FIG. 1 is a bottom perspective view of the antenna showing my new design;

FIG. 2 is a front elevational view thereof;

FIG. 3 is a rear elevational view thereof;

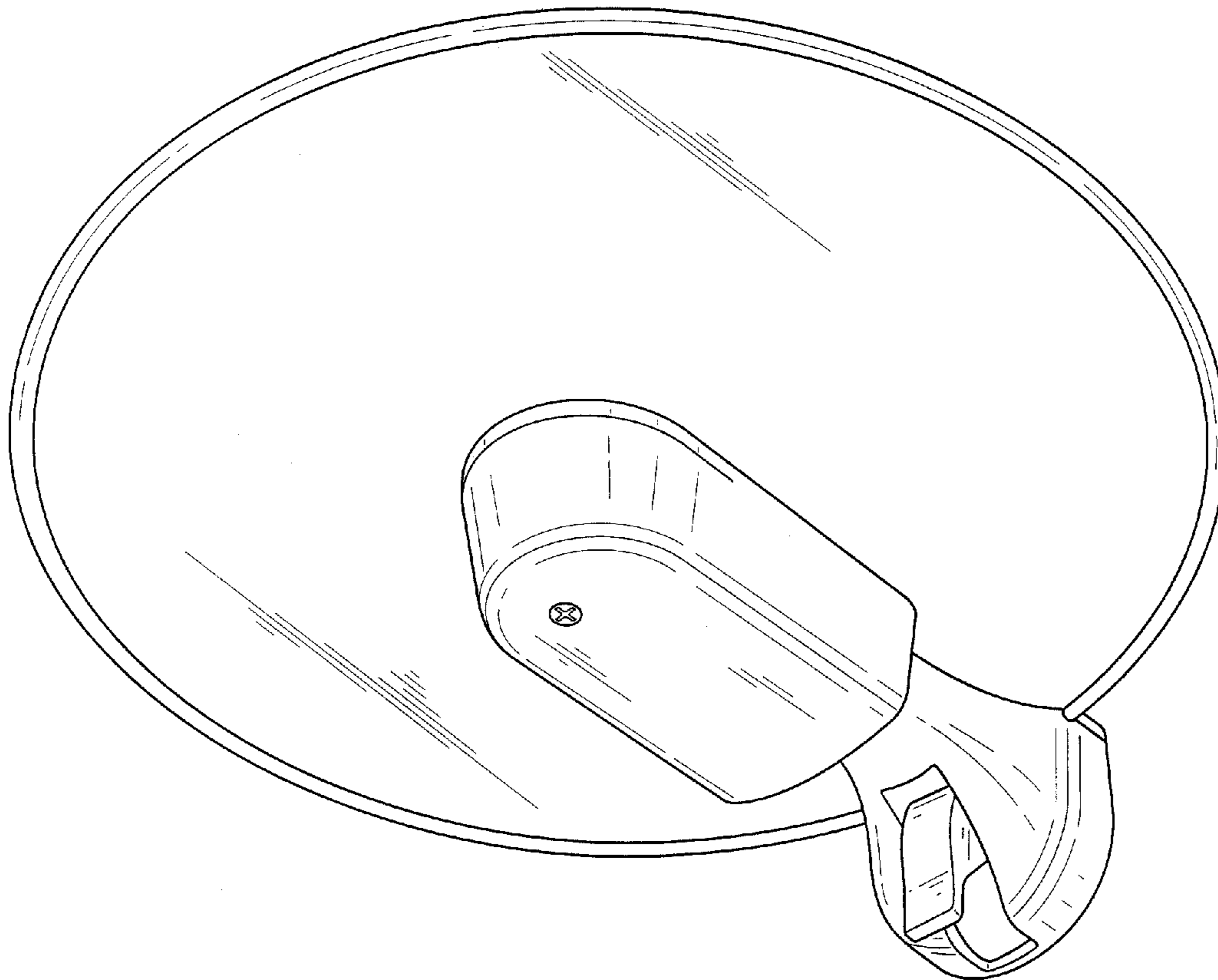
FIG. 4 is a left elevational view thereof;

FIG. 5 is a right elevational view thereof;

FIG. 6 is a top plan view thereof; and,

FIG. 7 is a bottom plan view thereof.

**1 Claim, 5 Drawing Sheets**



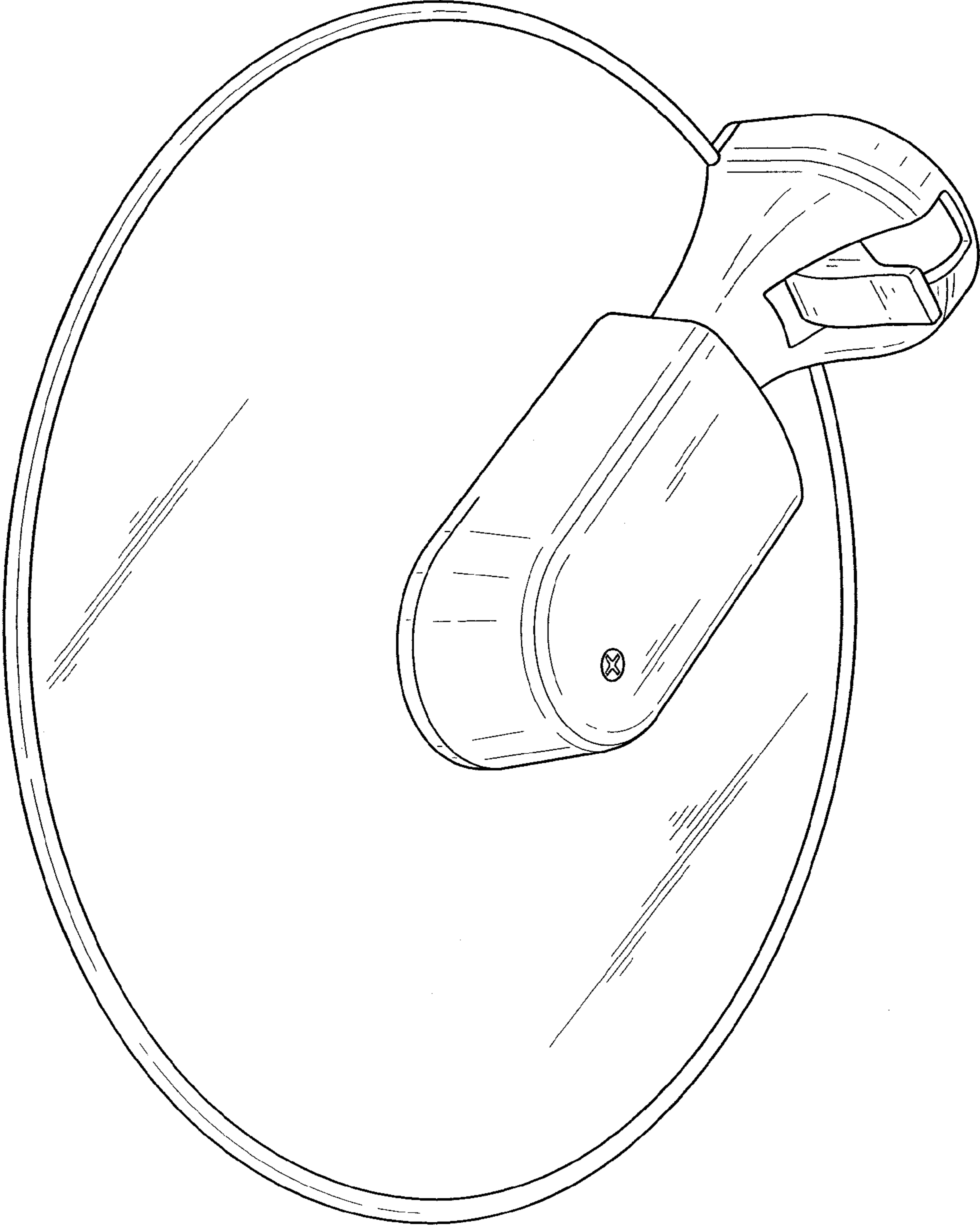
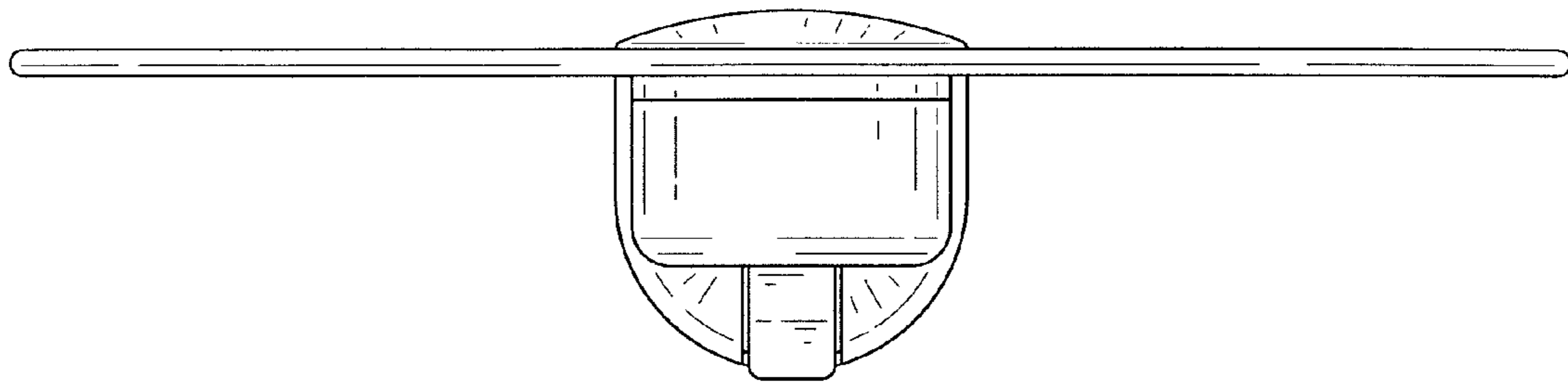
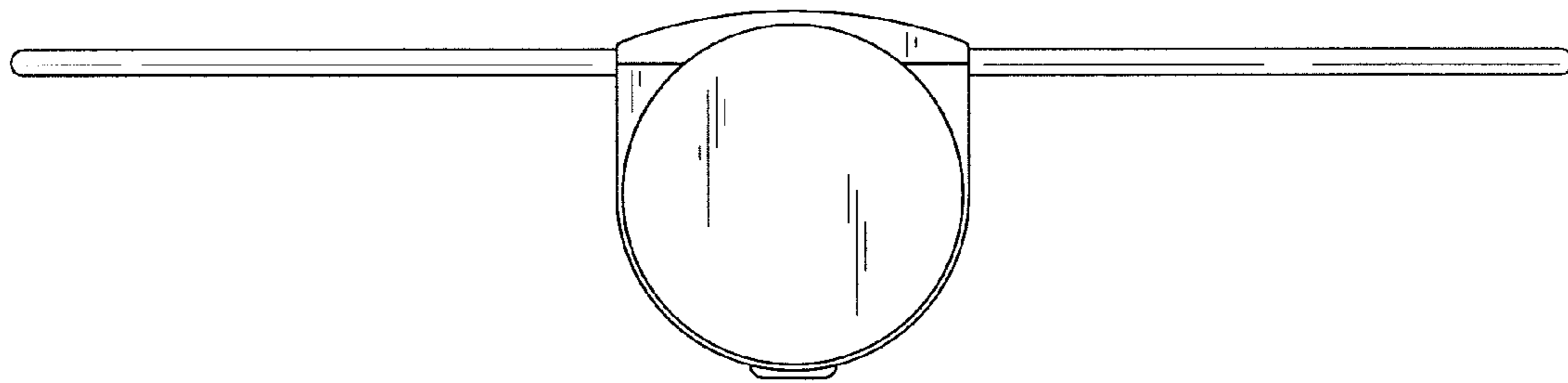


FIG. 1



*FIG. 2*



*FIG. 3*

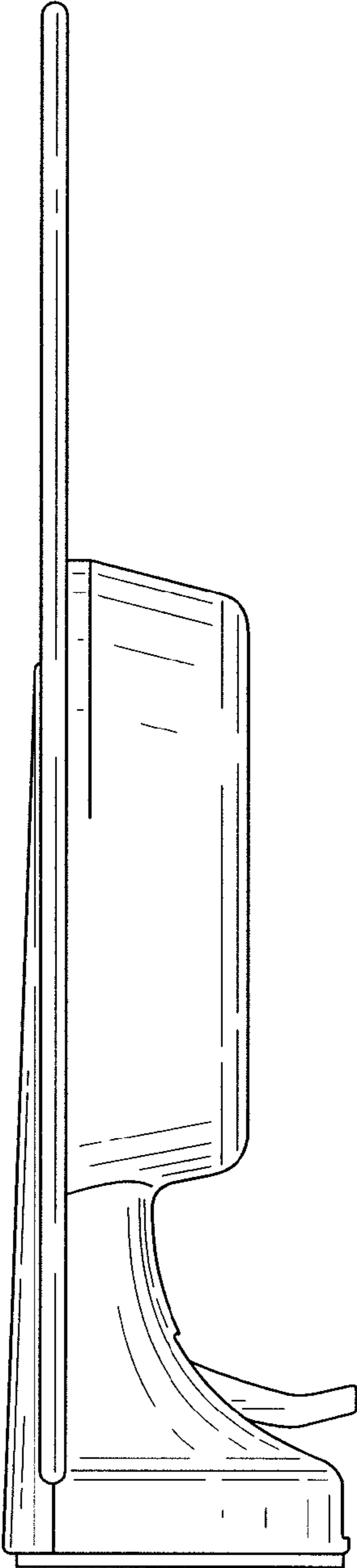


FIG. 4

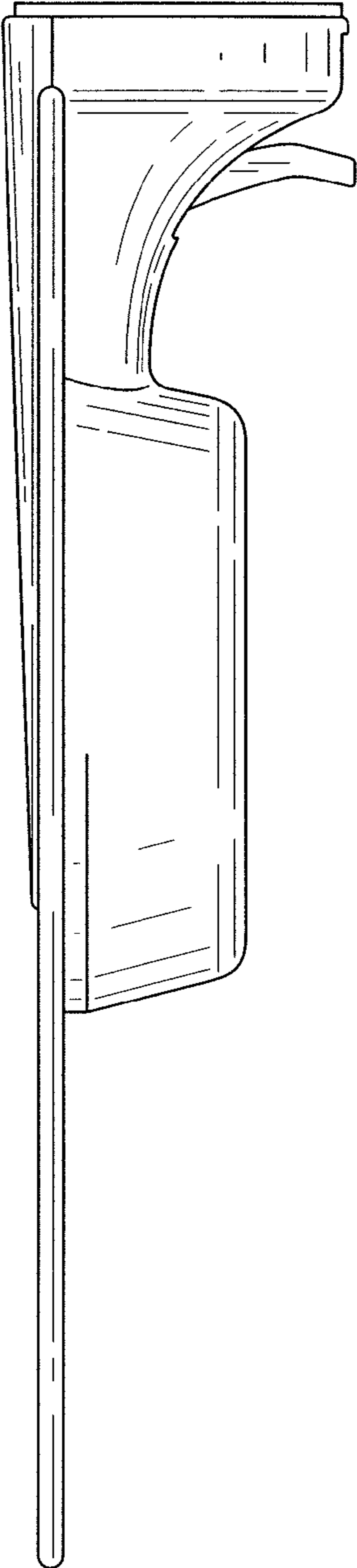
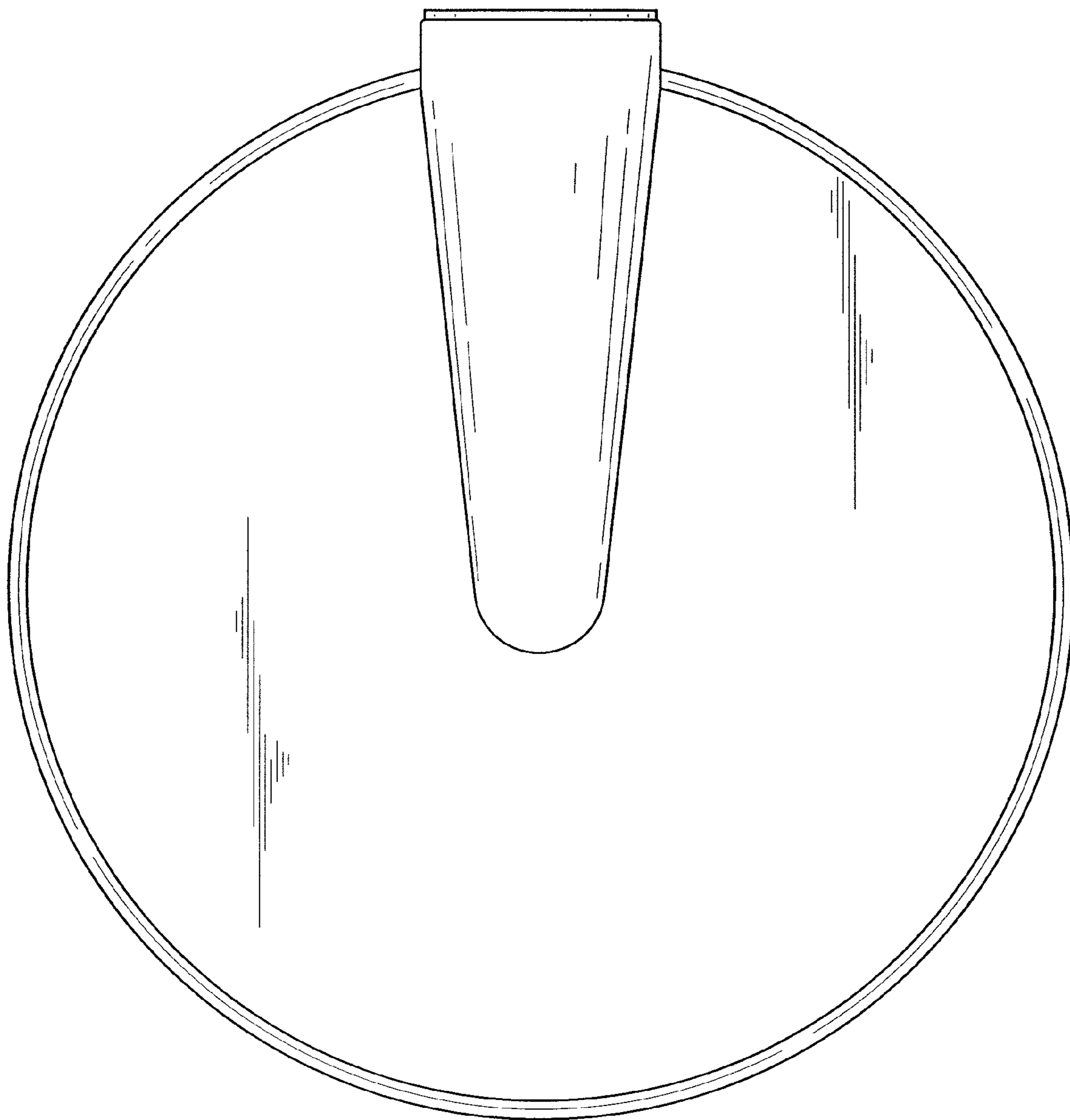
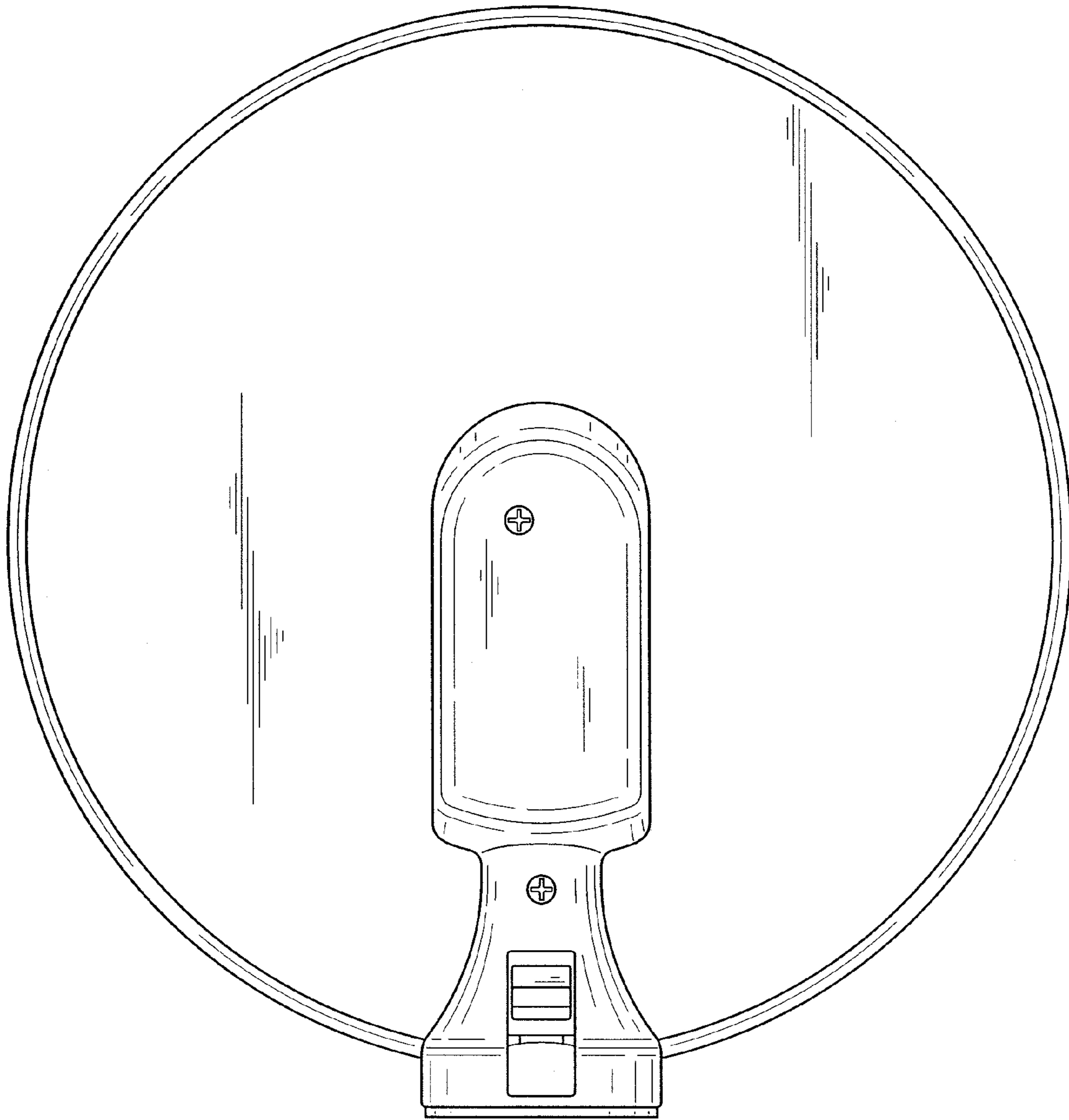


FIG. 5



*FIG. 6*



*FIG. 7*