

US00D585880S

(12) **United States Design Patent**  
**Säde et al.**

(10) **Patent No.:** **US D585,880 S**  
(45) **Date of Patent:** **\*\* Feb. 3, 2009**

(54) **CONNECTOR RING FOR A HEADSET**

(75) Inventors: **Heli Säde**, Salo (FI); **Sami Lehtovaara**,  
Masku (FI)

(73) Assignee: **Nokia Corporation**, Espoo (FI)

(\*\*) Term: **14 Years**

(21) Appl. No.: **29/295,605**

(22) Filed: **Oct. 2, 2007**

(30) **Foreign Application Priority Data**

Apr. 2, 2007 (FI) ..... 20070062

(51) **LOC (9) Cl.** ..... **14-01**

(52) **U.S. Cl.** ..... **D14/223; D14/205**

(58) **Field of Classification Search** ..... D14/205,  
D14/206, 223, 240, 217, 251, 256, 299, 433;  
181/129, 130, 135; 379/430, 433.01, 433.03,  
379/433.04; 381/379, 380, 381, 374  
See application file for complete search history.

(56) **References Cited**

**U.S. PATENT DOCUMENTS**

D311,521	S	*	10/1990	Jonsson et al.	.....	D14/226
D350,961	S	*	9/1994	Nakamura	.....	D14/205
D375,959	S	*	11/1996	Davis et al.	.....	D14/223
D419,564	S	*	1/2000	McDonald et al.	.....	D14/223
D420,010	S	*	2/2000	Pitel	.....	D14/240
D449,295	S	*	10/2001	Smith et al.	.....	D14/223
D462,944	S	*	9/2002	Yuen	.....	D14/206
D464,638	S	*	10/2002	Huang	.....	D14/205
D464,949	S	*	10/2002	DeKalb et al.	.....	D14/218
D464,951	S	*	10/2002	Skulley et al.	.....	D14/223
D465,209	S	*	11/2002	Rath	.....	D14/206

D504,883	S	*	5/2005	Jacobson et al.	.....	D14/192
D519,106	S	*	4/2006	Polito et al.	.....	D14/223
D523,845	S	*	6/2006	Smith et al.	.....	D14/205
D556,740	S	*	12/2007	Xavier	.....	D14/223
D562,808	S	*	2/2008	Gwee	.....	D14/223
D565,024	S	*	3/2008	Kim et al.	.....	D14/205
D566,104	S	*	4/2008	Suzuki	.....	D14/223
D573,137	S	*	7/2008	Polito	.....	D14/223

\* cited by examiner

*Primary Examiner*—Paula Greene

(74) *Attorney, Agent, or Firm*—Banner & Witcoff, Ltd.

(57) **CLAIM**

The ornamental design of a connector ring for a headset, as shown and described.

**DESCRIPTION**

FIG. 1 is a top front perspective view of a connector ring for a headset showing our new design;

FIG. 2 is a second top front perspective view taken at a different angle thereof;

FIG. 3 is a bottom rear perspective view thereof;

FIG. 4 is a left side plan view thereof;

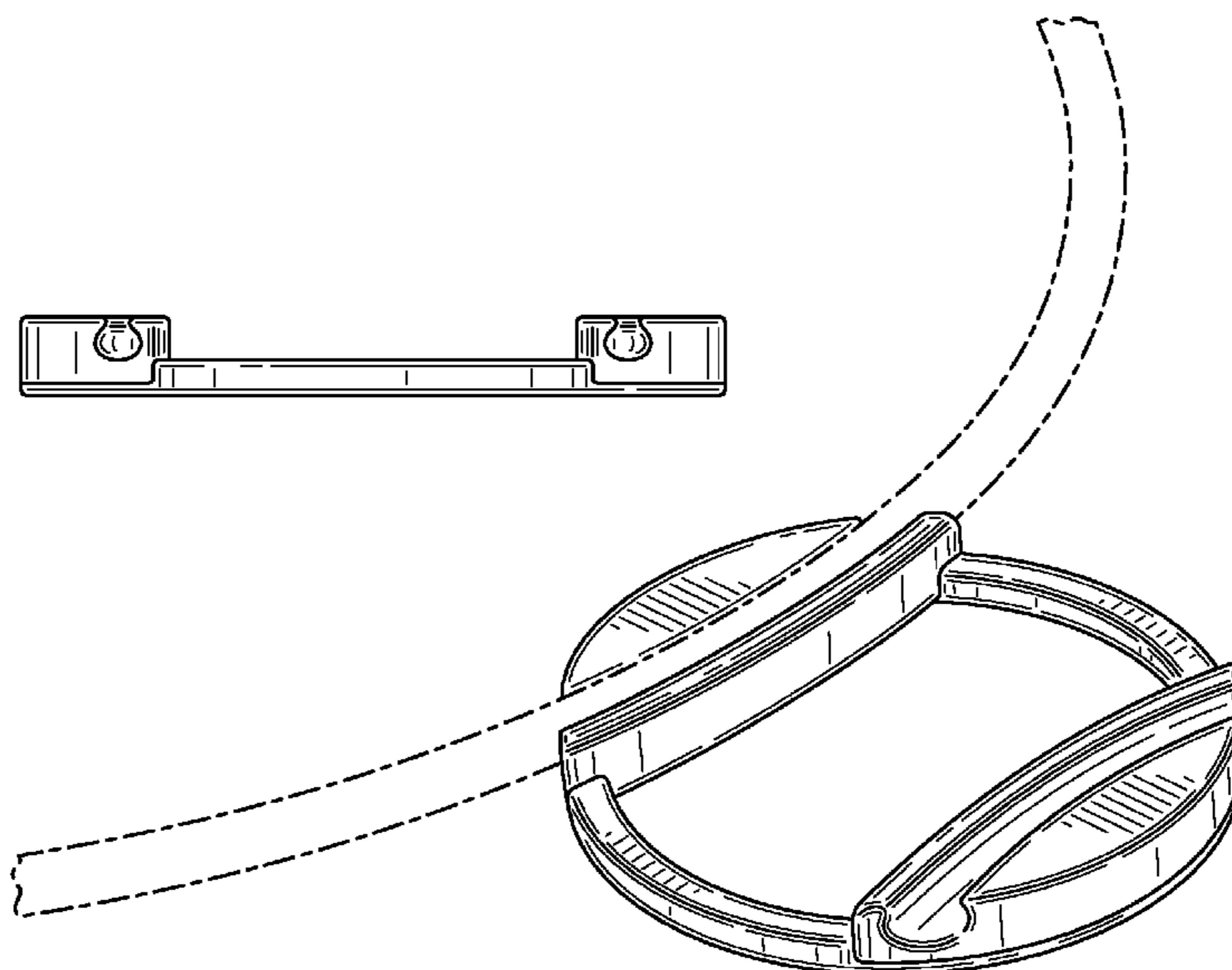
FIG. 5 is a front view thereof;

FIG. 6 is an enlarged top front perspective view of the connector ring for a headset of FIGS. 1–5 shown in an open, in use position; and,

FIG. 7 is a bottom rear perspective view thereof.

The broken line showing environmental structure is for illustrative purposes only and forms no part of the claimed design.

**1 Claim, 4 Drawing Sheets**



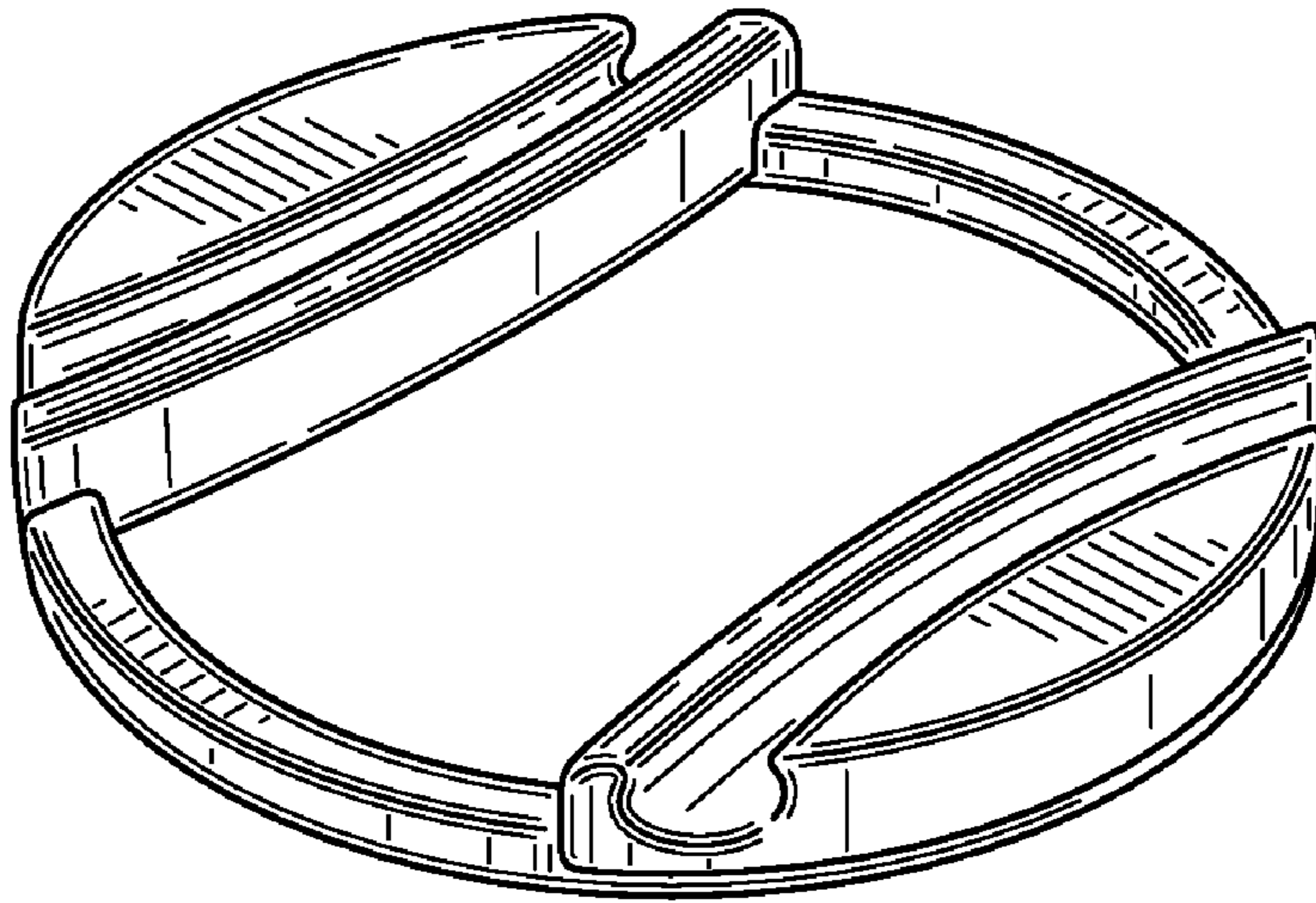


FIG. 1

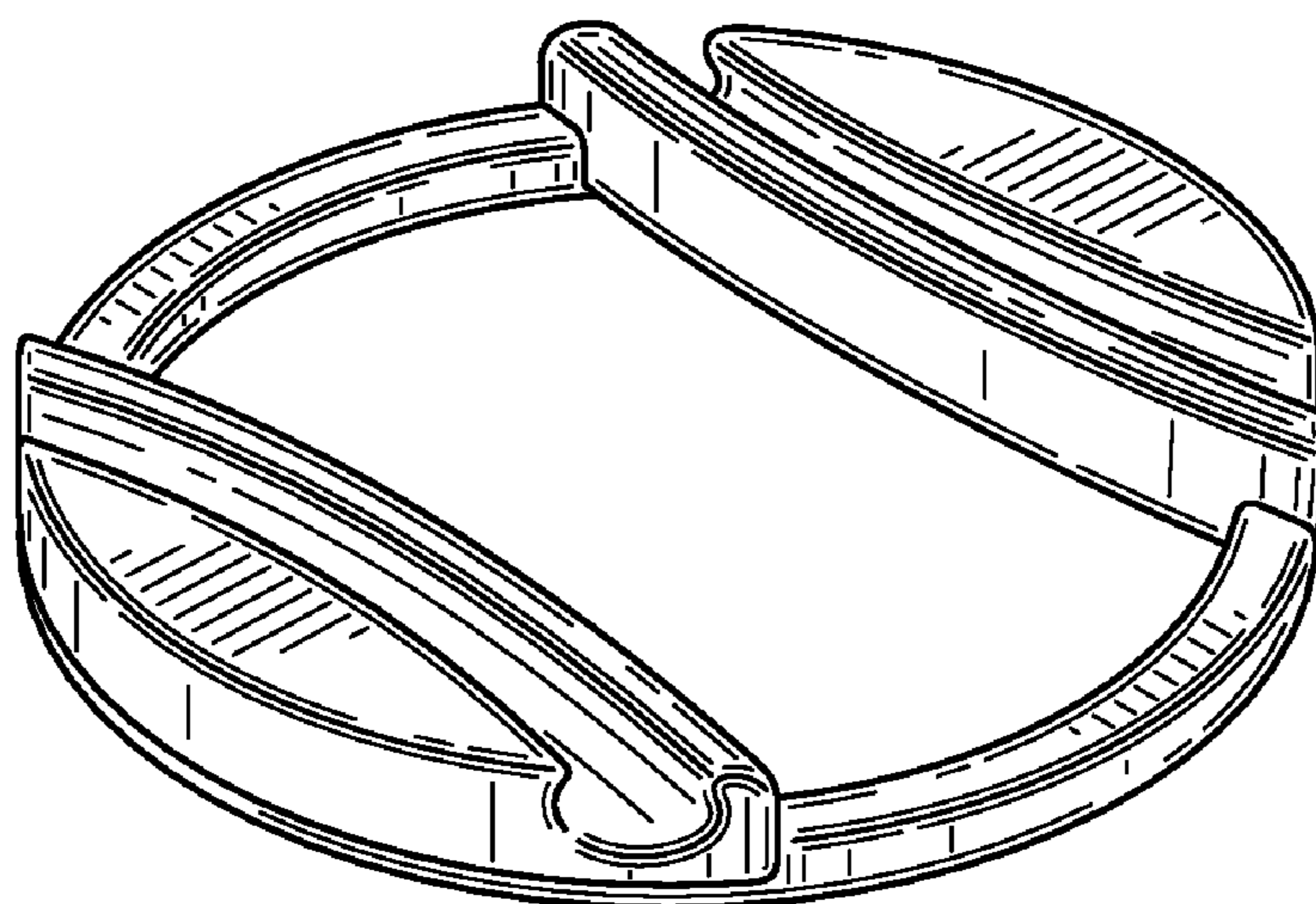


FIG. 2

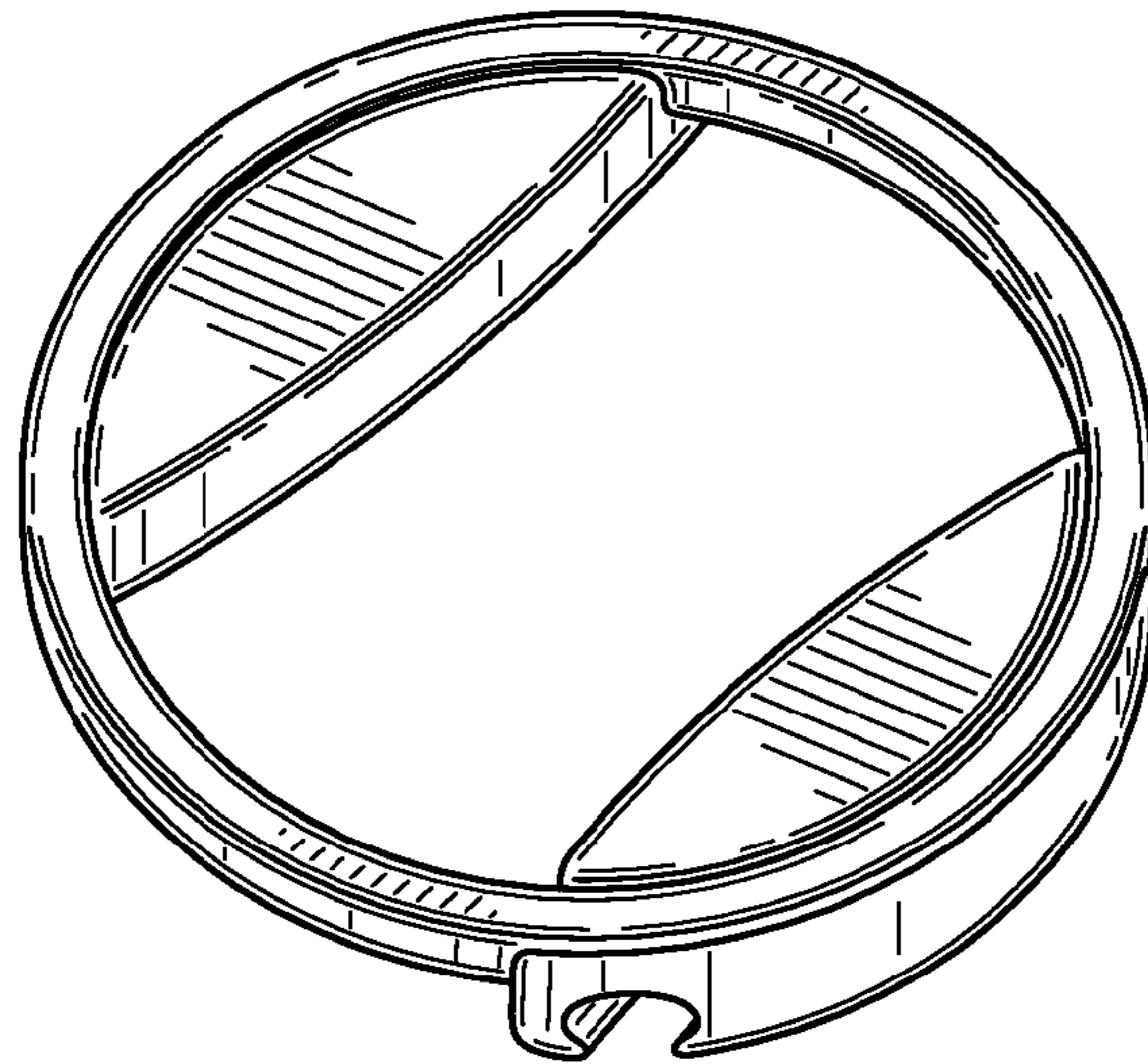


FIG. 3



FIG. 4



FIG. 5

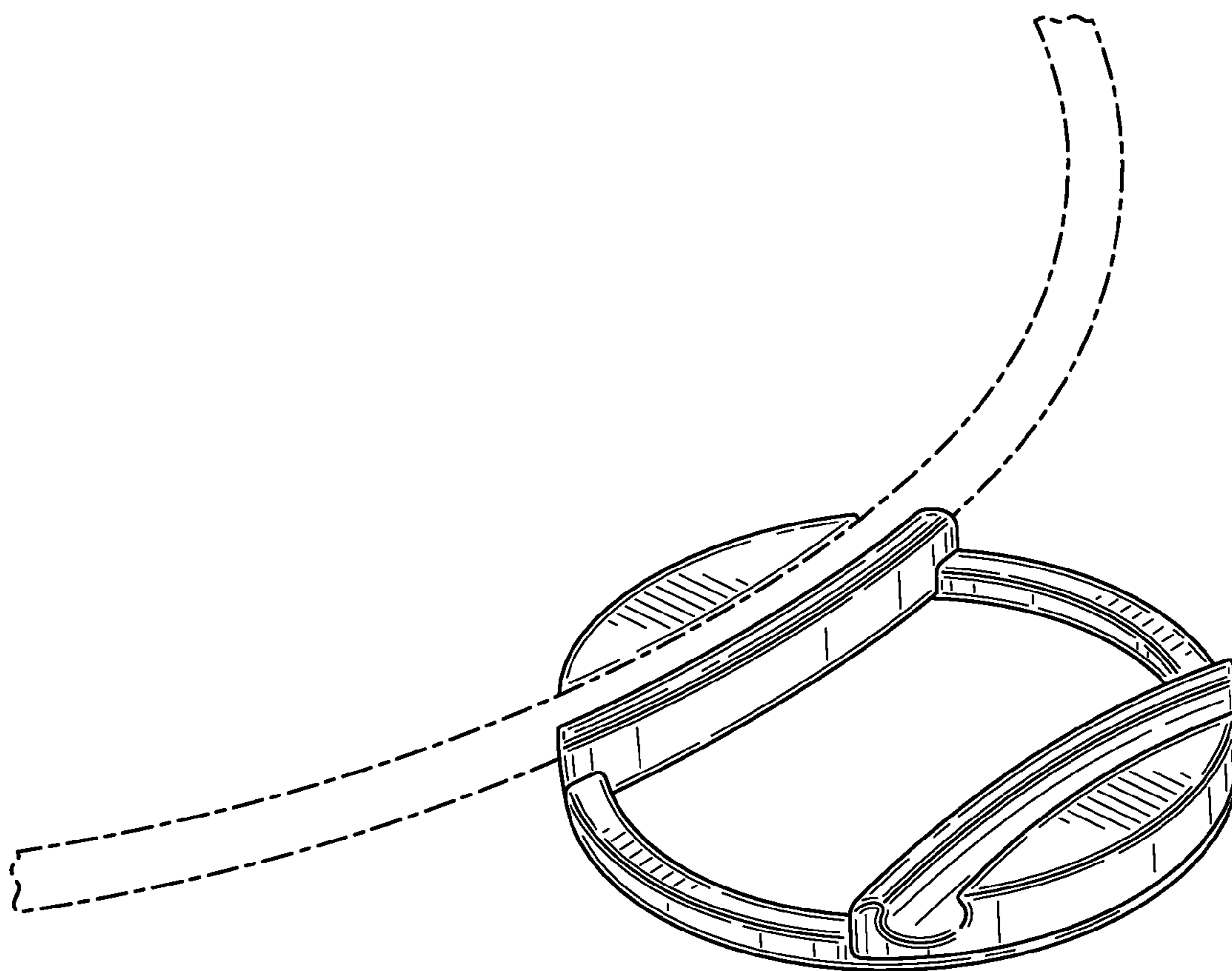


FIG. 6

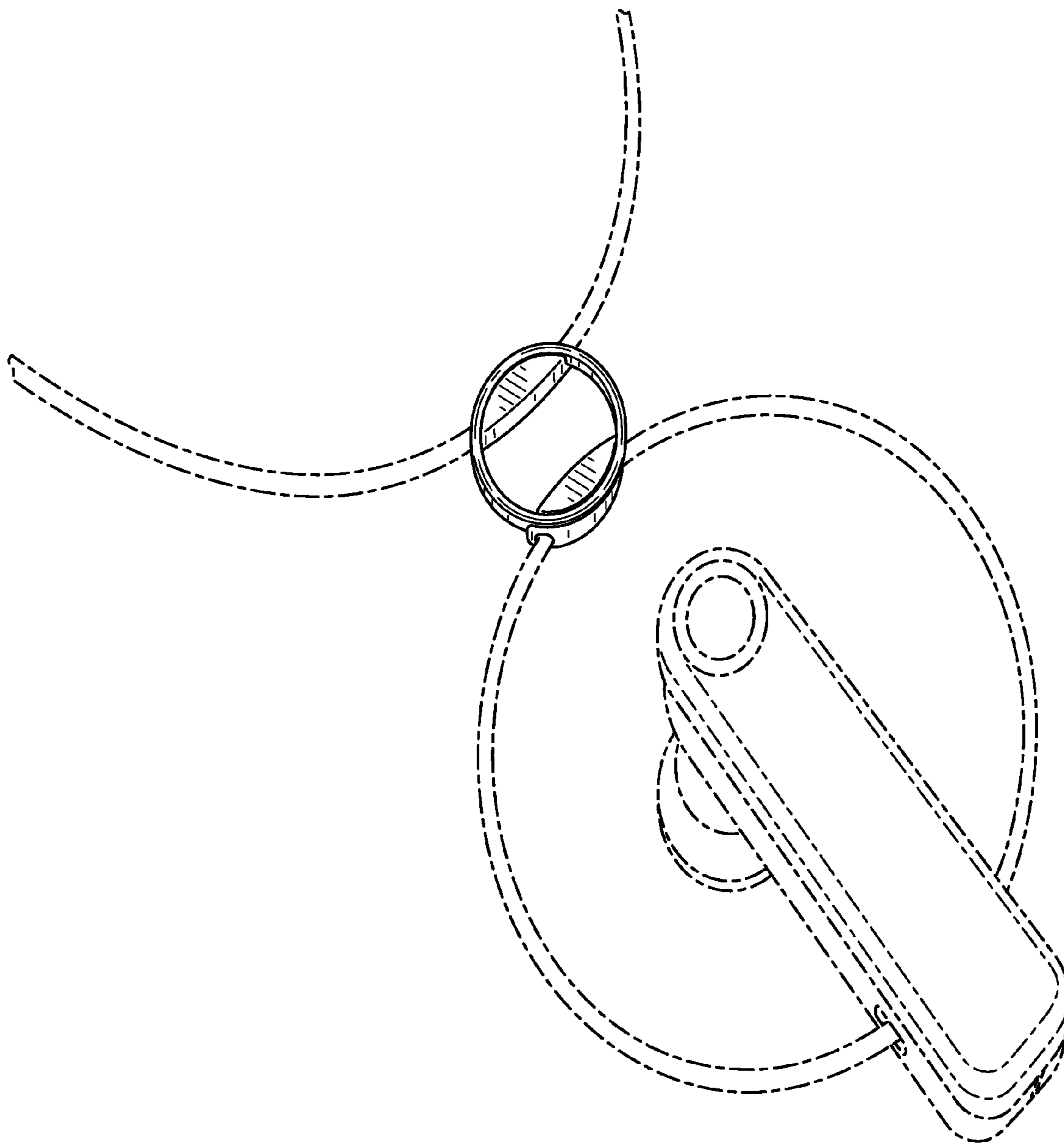


FIG. 7