



US00D585879S

(12) **United States Design Patent**  
**Schulman**

(10) **Patent No.:** **US D585,879 S**

(45) **Date of Patent:** **\*\* Feb. 3, 2009**

(54) **EARPHONE HEADBAND**

(76) Inventor: **Ken Schulman**, 233 Chandler Dr.,  
Mundelein, IL (US) 60060

(\*\*) Term: **14 Years**

(21) Appl. No.: **29/294,796**

(22) Filed: **Jan. 30, 2008**

(51) **LOC (9) Cl.** ..... **14-01**

(52) **U.S. Cl.** ..... **D14/223**

(58) **Field of Classification Search** ..... D14/205,  
D14/206, 223; 181/129, 130, 175; 379/430,  
379/431, 420.03; D29/112; 128/866, 867;  
2/409

See application file for complete search history.

(56) **References Cited**

**U.S. PATENT DOCUMENTS**

D237,307 S *	10/1975	Miyamoto et al.	.....	D14/192
D276,665 S *	12/1984	Higginson	.....	D29/112
D276,855 S *	12/1984	Falco	.....	D29/112
4,570,742 A *	2/1986	Takise	.....	181/175
D442,340 S *	5/2001	Leight et al.	.....	D29/112
D452,491 S *	12/2001	Sato	.....	D14/223
D481,709 S *	11/2003	Solderits	.....	D14/228
D488,461 S *	4/2004	Okada et al.	.....	D14/223
D505,411 S *	5/2005	Sakai	.....	D14/192
6,902,029 B2 *	6/2005	Weise	.....	181/129
D514,095 S *	1/2006	Wilson et al.	.....	D14/223
7,139,405 B1 *	11/2006	Grattan et al.	.....	381/375

D537,438 S *	2/2007	Hermansen	.....	D14/223
D538,270 S *	3/2007	Kim et al.	.....	D14/223
D542,282 S *	5/2007	Yoshiyama	.....	D14/223
D543,972 S *	6/2007	Taylor	.....	D14/223
D550,656 S *	9/2007	Gedom et al.	.....	D14/223
D559,837 S *	1/2008	Nakano	.....	D14/223
D568,290 S *	5/2008	Wikel	.....	D14/205
D574,368 S *	8/2008	Chapman	.....	D14/225
D575,278 S *	8/2008	Guccione et al.	.....	D14/223

\* cited by examiner

*Primary Examiner*—Paula Greene

(74) *Attorney, Agent, or Firm*—Justin Lampel

(57) **CLAIM**

The ornamental design for an earphone headband, as shown and described.

**DESCRIPTION**

FIG. 1 is a front perspective view of an earphone for a headband of the present invention;

FIG. 2 is a side plan view of the present invention;

FIG. 3 is a top plan view of the present invention, the undisclosed portion is not part of the claimed design;

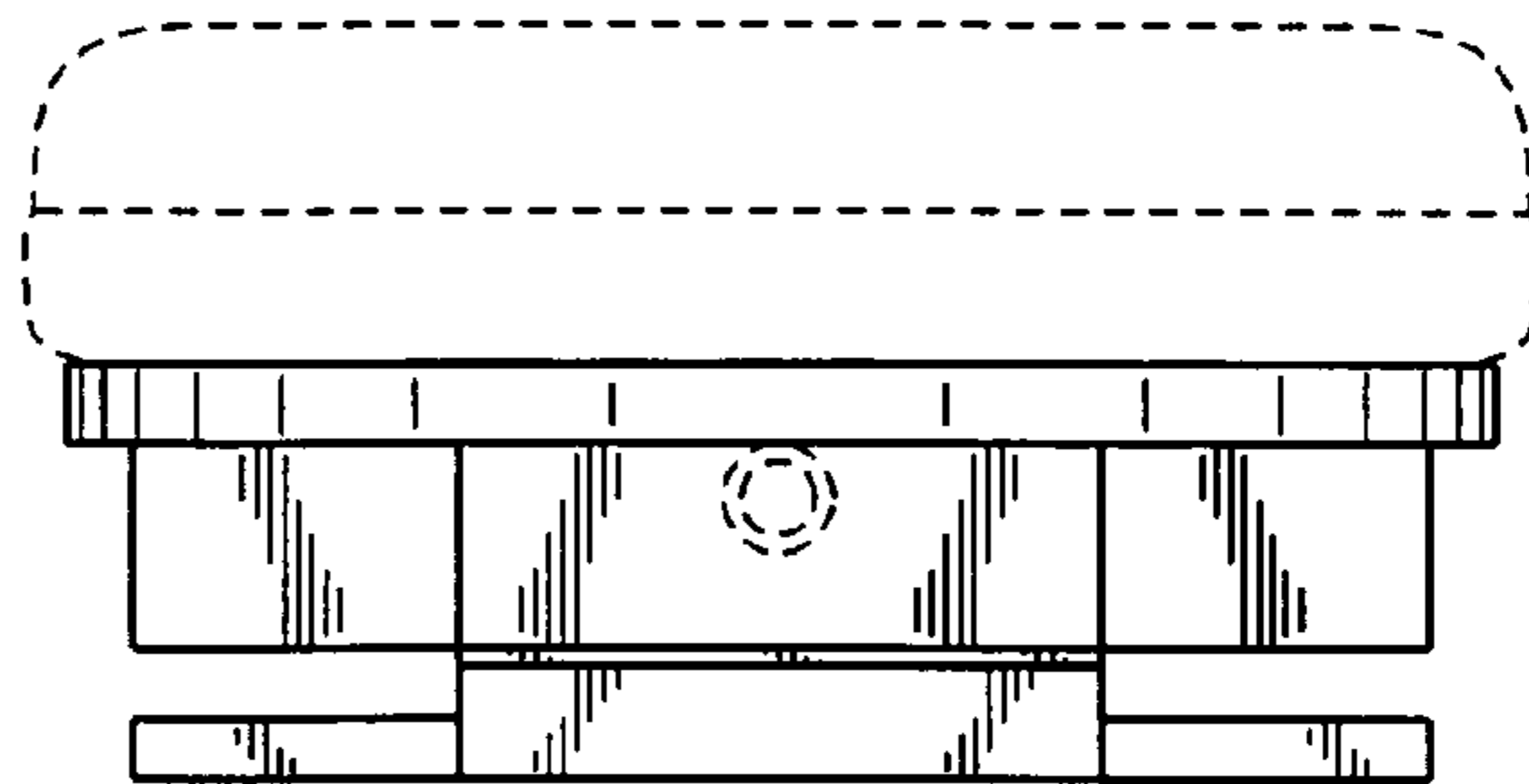
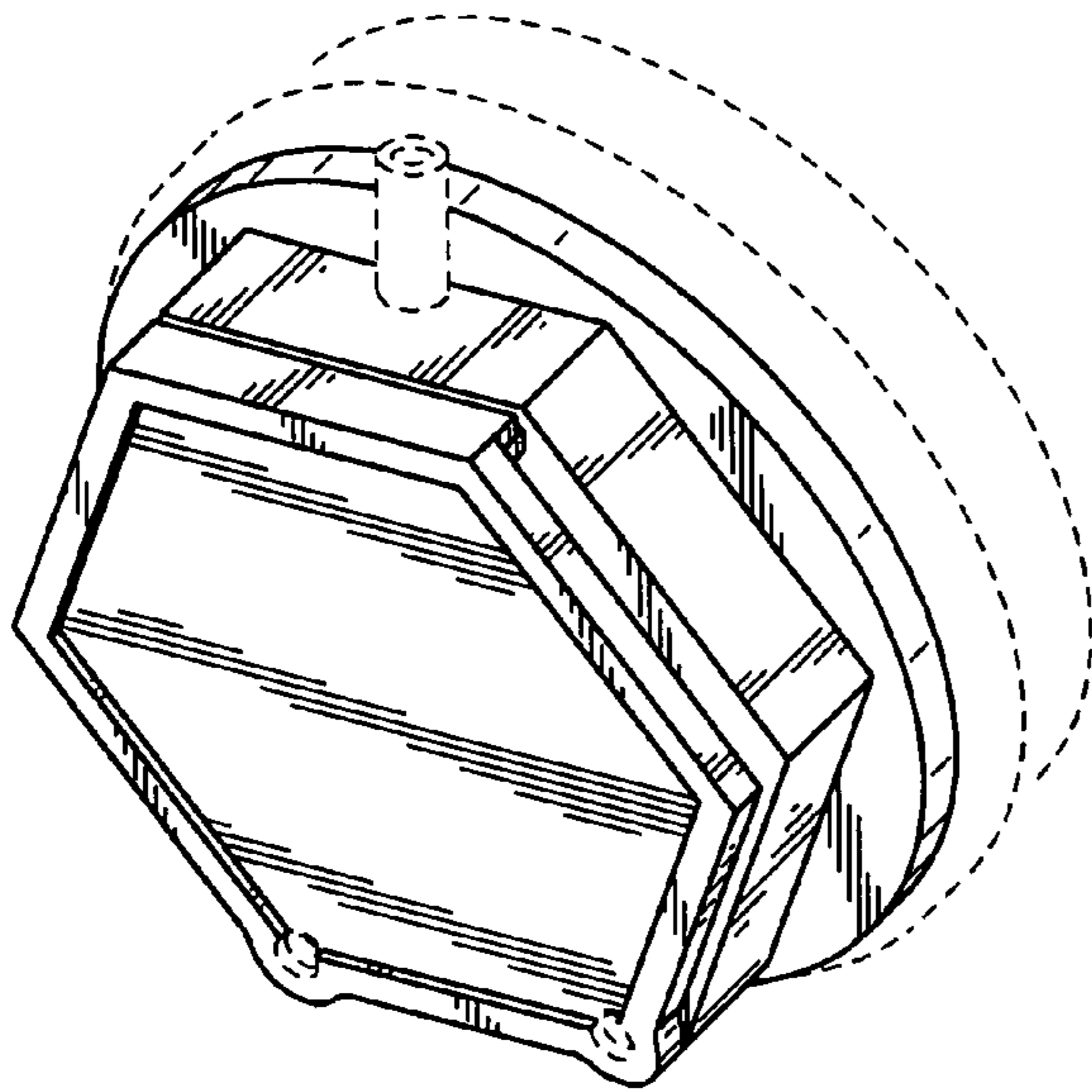
FIG. 4 is a side plan view of the present invention;

FIG. 5 is a bottom plan view of the present invention; and,

FIG. 6 is a back plan view of the present invention.

The broken line showing is for illustrative purposes only and forms no part of the claimed design.

**1 Claim, 3 Drawing Sheets**



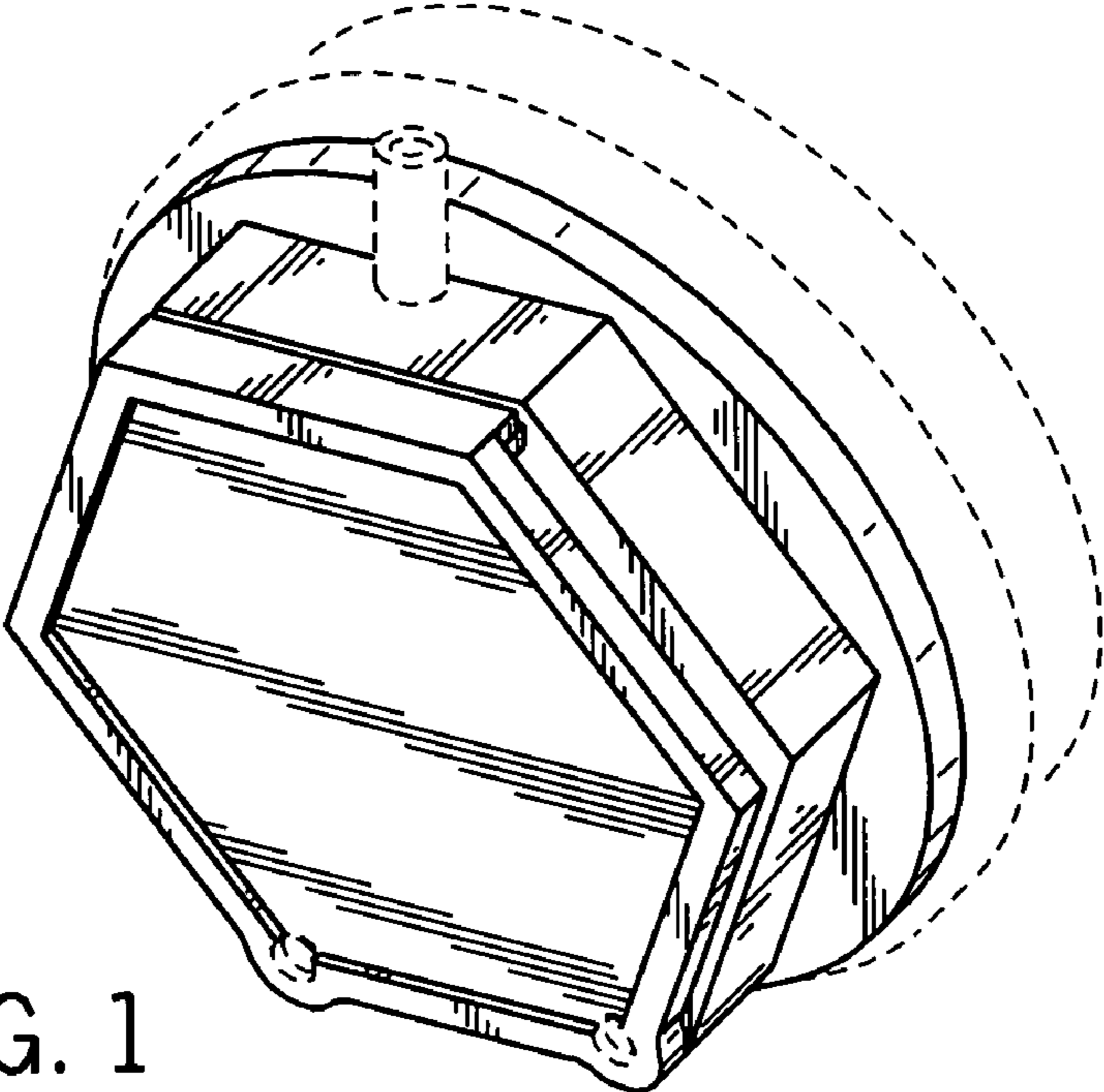


FIG. 1

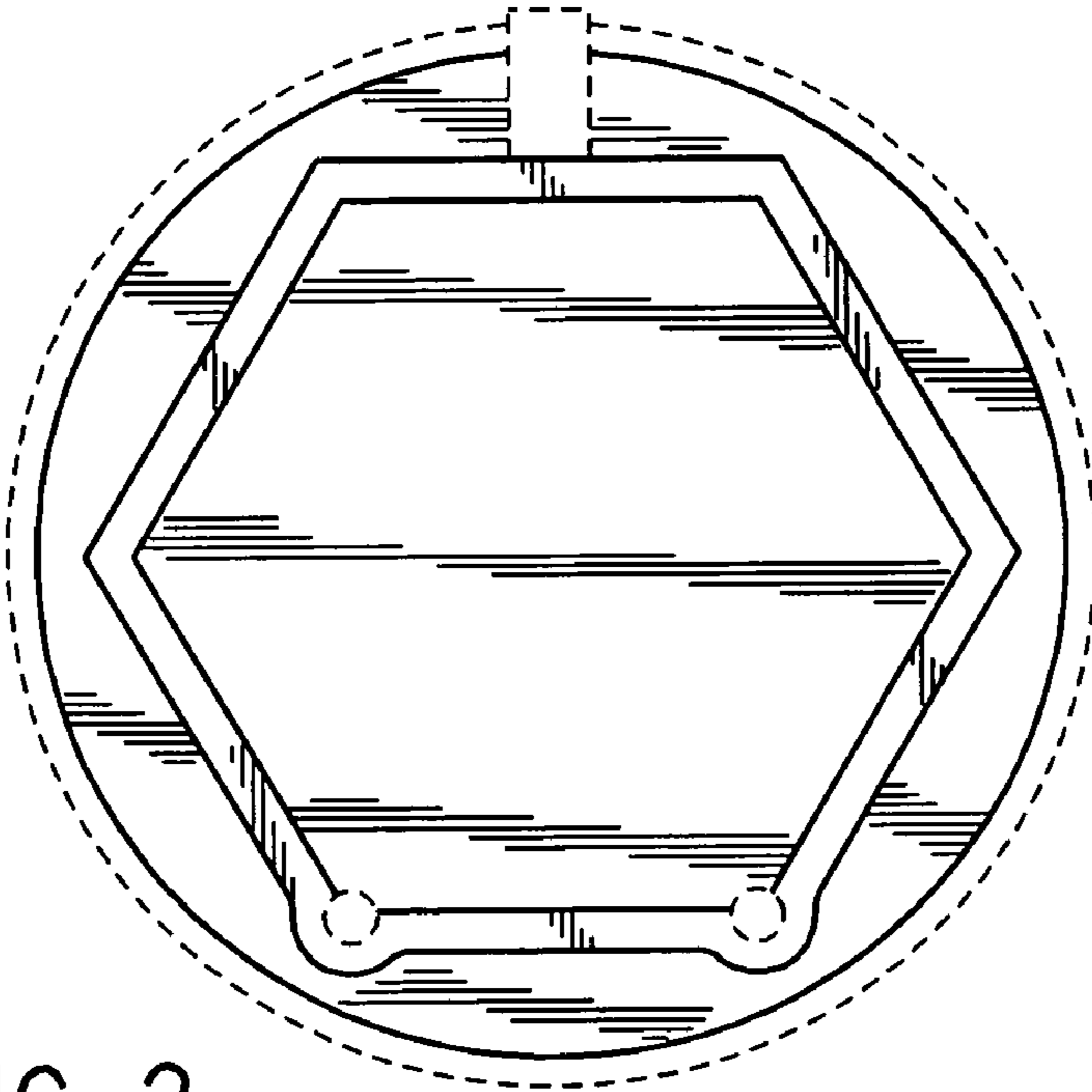


FIG. 2

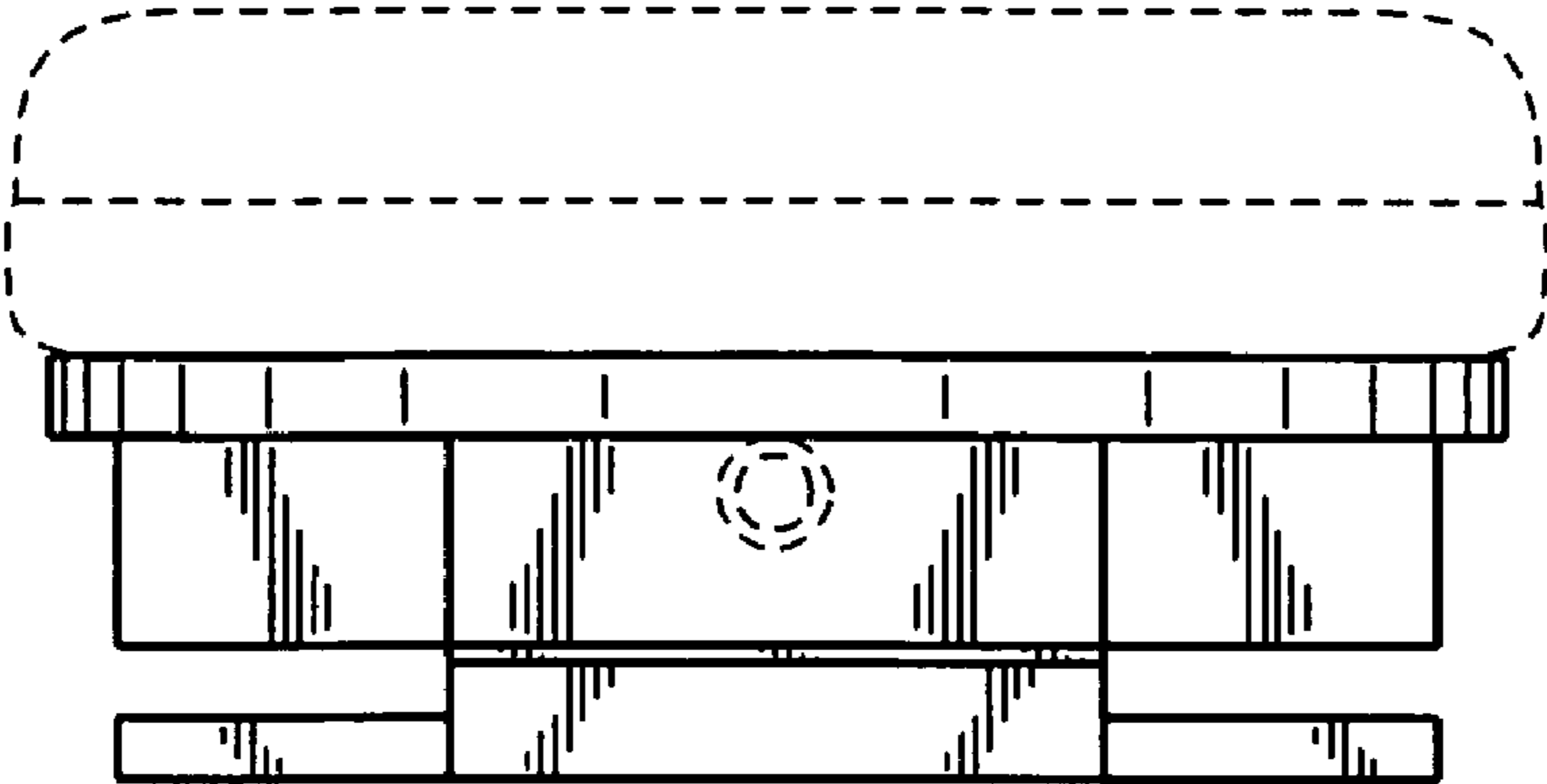


FIG. 3

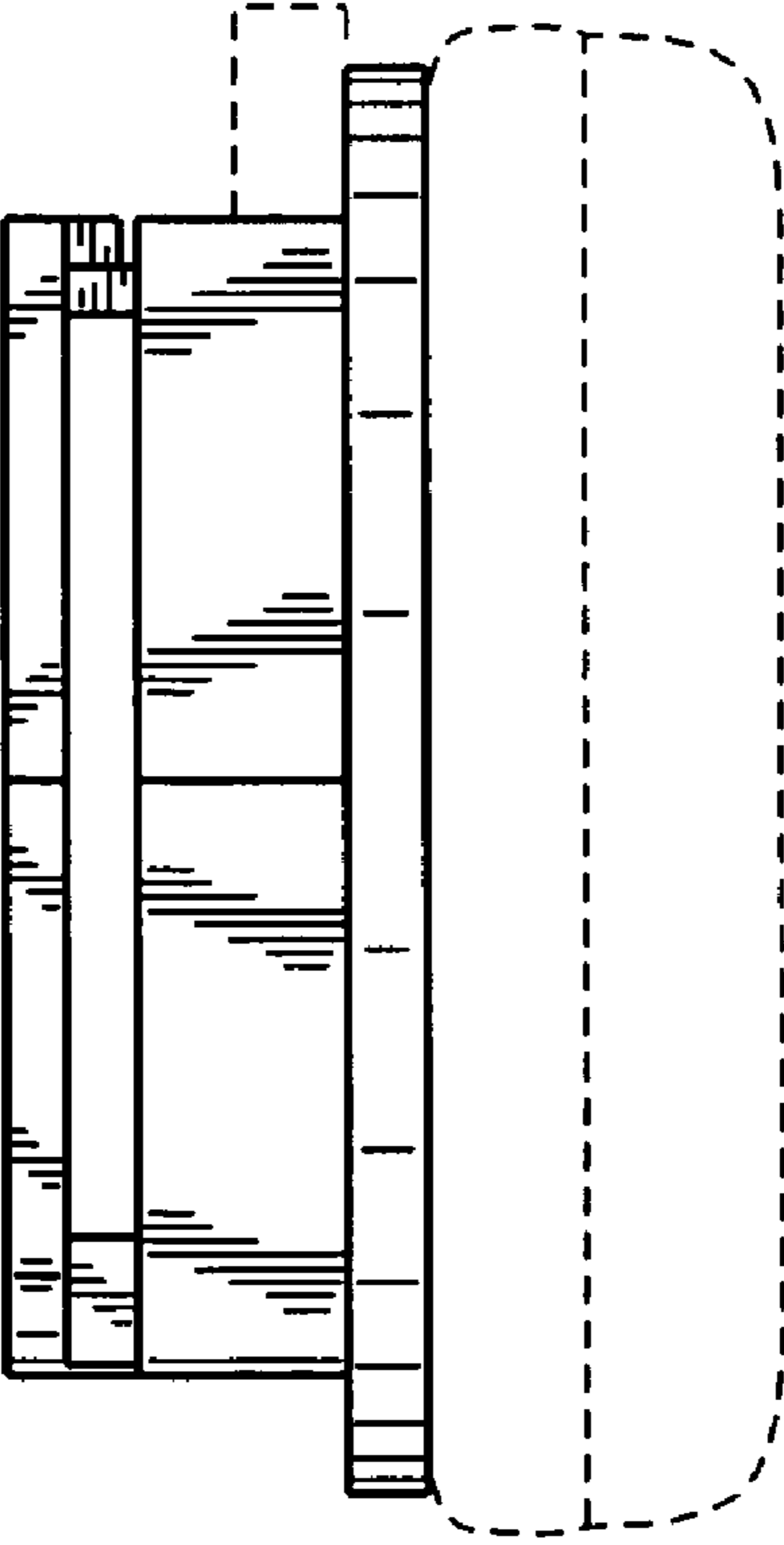


FIG. 4



FIG. 5

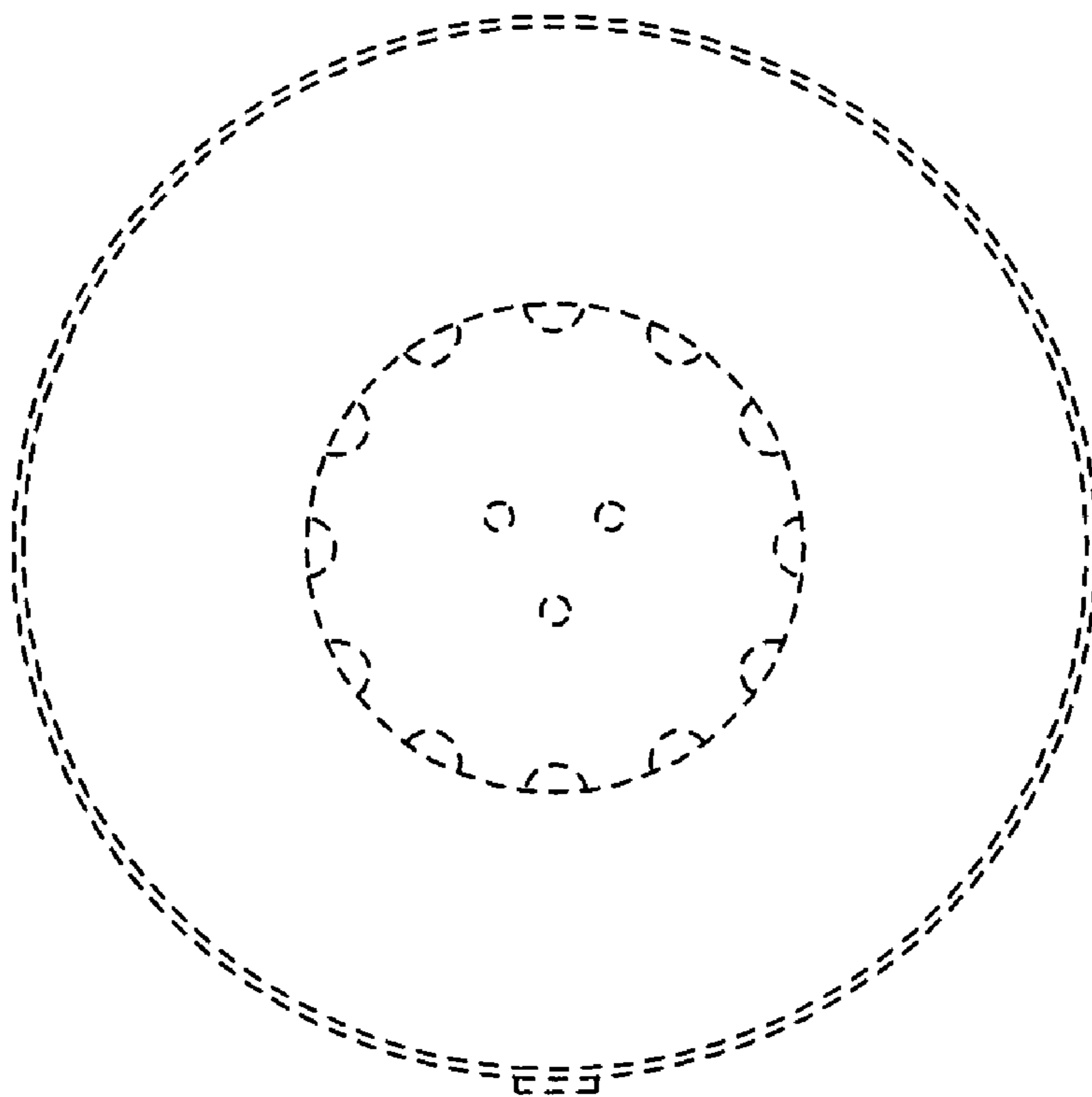


FIG. 6