



US00D585878S

(12) **United States Design Patent**  
**Jung**

(10) **Patent No.:** **US D585,878 S**

(45) **Date of Patent:** **\*\* Feb. 3, 2009**

(54) **HEADSET**

(75) Inventor: **Hei-Chae Jung**, Gyeonggi-do (KR)

(73) Assignee: **Uneeds Commerce**, Gyeonggi-do (KR)

(\*\*) Term: **14 Years**

(21) Appl. No.: **29/290,846**

(22) Filed: **Jan. 22, 2008**

(30) **Foreign Application Priority Data**

Jul. 23, 2007 (KR) ..... 30-2007-0031640

(51) **LOC (9) Cl.** ..... **14-01**

(52) **U.S. Cl.** ..... **D14/223**

(58) **Field of Classification Search** ..... D14/205,  
D14/206, 223; 181/129, 130; 379/430, 446,  
379/374, 376, 377, 378, 380, 381; 381/375,  
381/385; D24/174

See application file for complete search history.

(56) **References Cited**

**U.S. PATENT DOCUMENTS**

D517,054 S \* 3/2006 Yang ..... D14/223  
D529,021 S \* 9/2006 Jensen et al. .... D14/223  
D538,271 S \* 3/2007 Kim et al. .... D14/223  
D538,792 S \* 3/2007 Kim et al. .... D14/223  
D539,777 S \* 4/2007 Pena Angarita ..... D14/138 R  
D539,787 S \* 4/2007 Kim et al. .... D14/223  
D542,267 S \* 5/2007 Cha et al. .... D14/206  
D550,658 S \* 9/2007 Wang ..... D14/223  
D555,151 S \* 11/2007 Eklund ..... D14/223

D559,836 S \* 1/2008 Lee ..... D14/223  
D562,309 S \* 2/2008 Choi et al. .... D14/223  
D562,310 S \* 2/2008 Moon et al. .... D14/223  
D565,033 S \* 3/2008 Goransson ..... D14/223  
D566,103 S \* 4/2008 Sade et al. .... D14/223  
D566,108 S \* 4/2008 Kan ..... D14/223  
D566,694 S \* 4/2008 Kim et al. .... D14/223  
D566,696 S \* 4/2008 Schmelling ..... D14/223  
D568,301 S \* 5/2008 Kim et al. .... D14/223  
D568,876 S \* 5/2008 Tsai et al. .... D14/223  
D569,842 S \* 5/2008 Yang ..... D14/205  
D573,983 S \* 7/2008 Bang et al. .... D14/223  
D574,366 S \* 8/2008 Sade et al. .... D14/223  
D575,277 S \* 8/2008 Gaarde et al. .... D14/223

\* cited by examiner

*Primary Examiner*—Paula Greene

(74) *Attorney, Agent, or Firm*—The Nath Law Group; Jerald L. Meyer; Derek Richmond

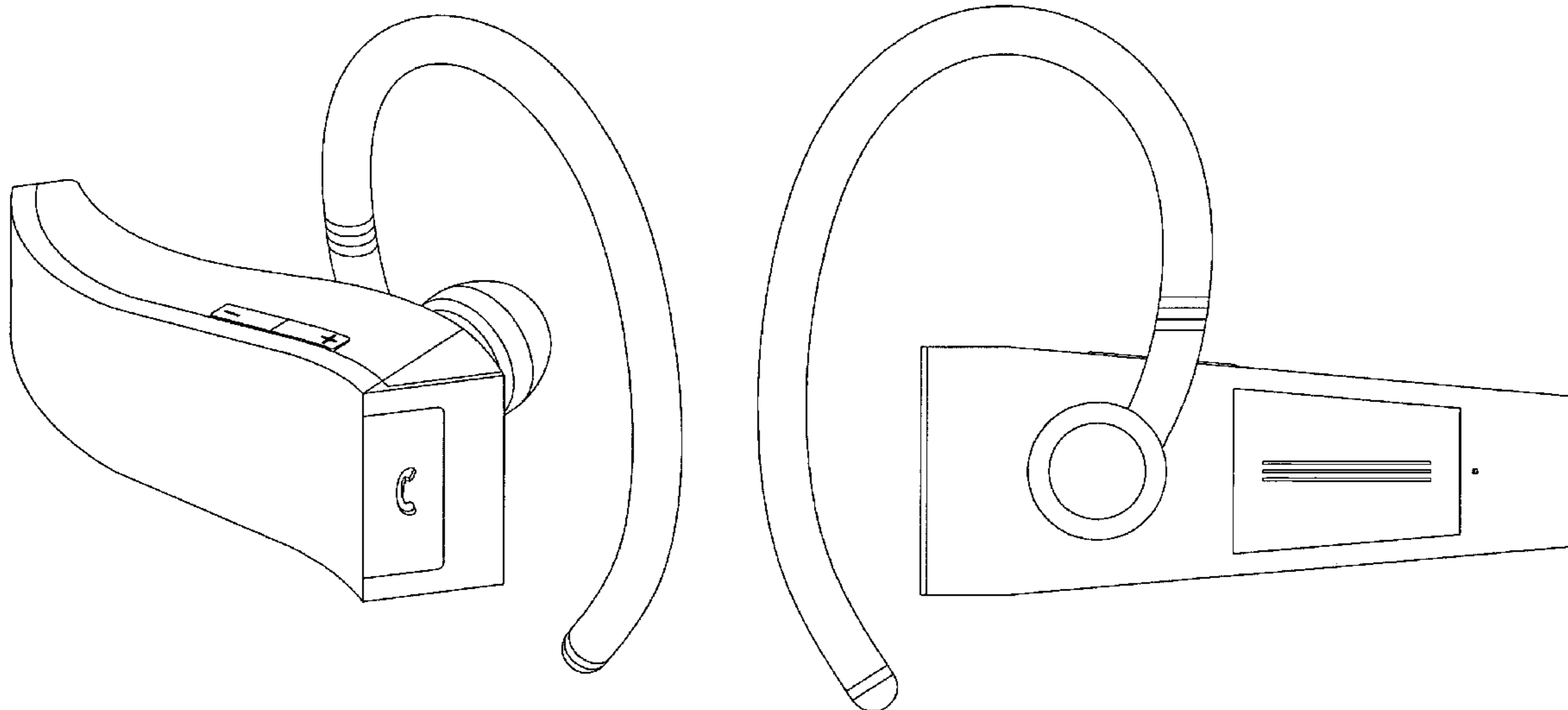
(57) **CLAIM**

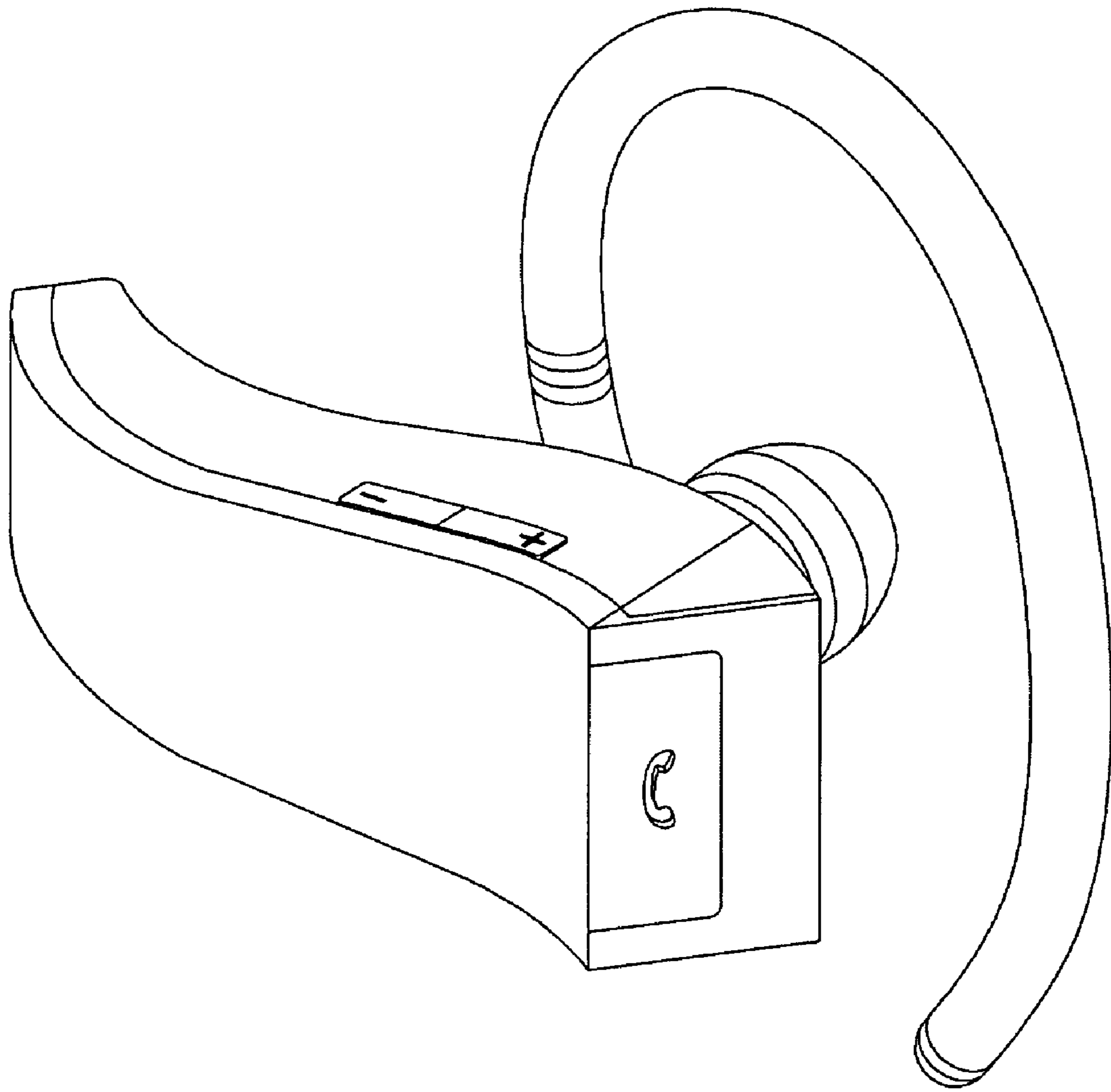
The ornamental design for headset, as shown and described.

**DESCRIPTION**

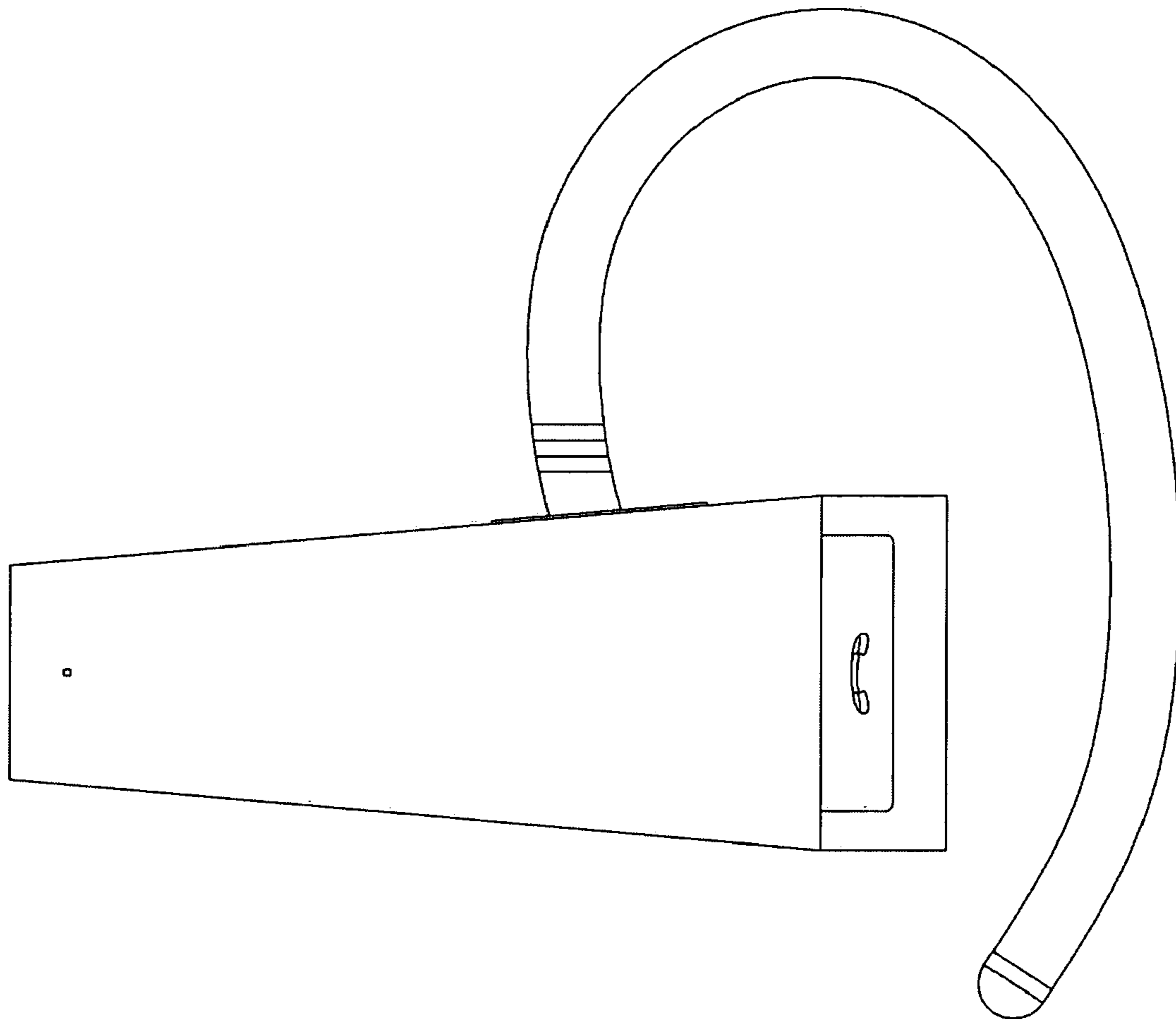
FIG. 1 is a front perspective view of a headset;  
FIG. 2 is a front elevational view of a headset;  
FIG. 3 is a rear elevational view of a headset;  
FIG. 4 is a left side elevational view of a headset;  
FIG. 5 is a right side elevational view of a headset;  
FIG. 6 is a top plan view of a headset; and,  
FIG. 7 is a bottom plan view of a headset.

**1 Claim, 7 Drawing Sheets**

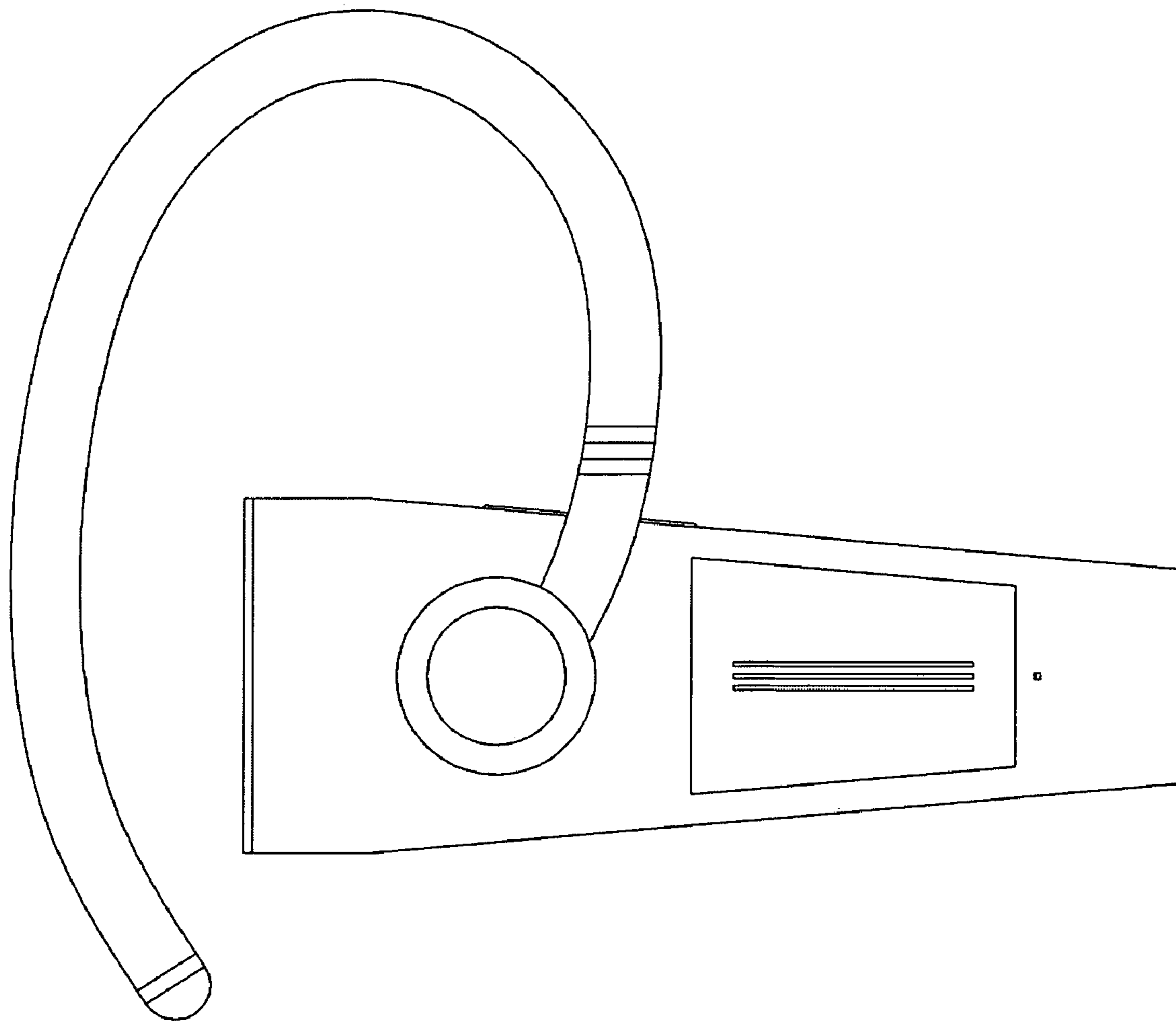




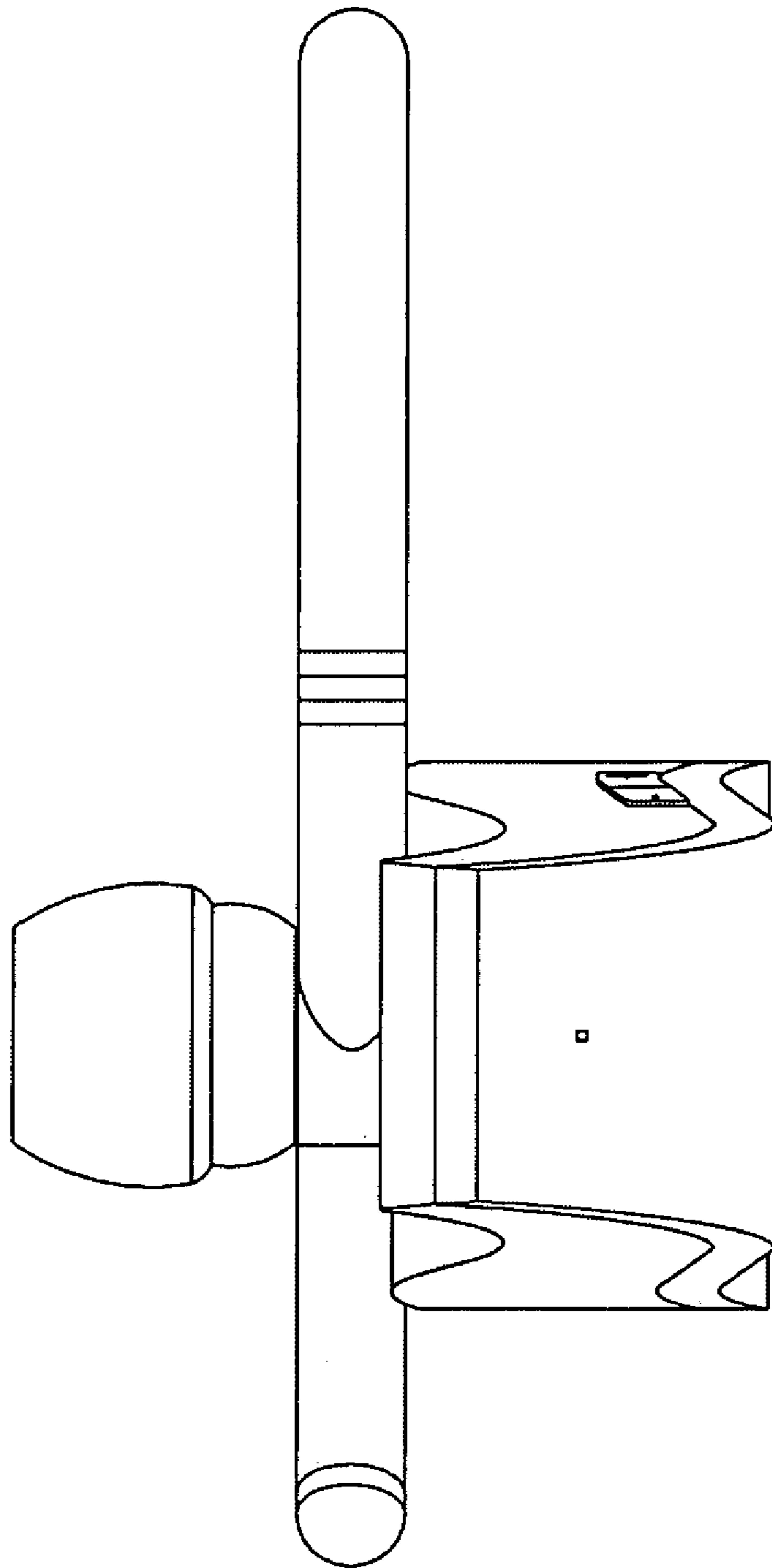
【Fig. 1】



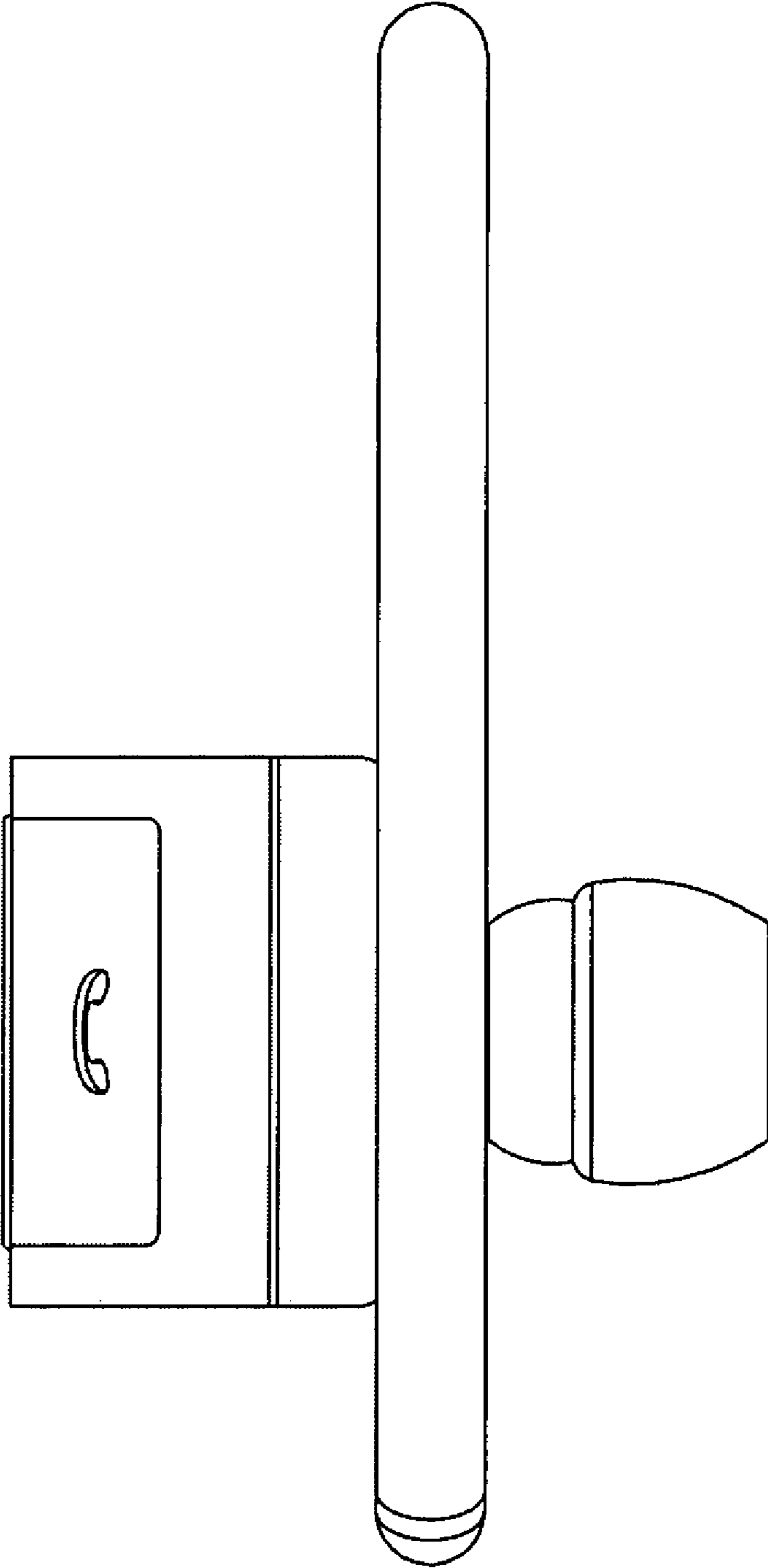
【Fig. 2】



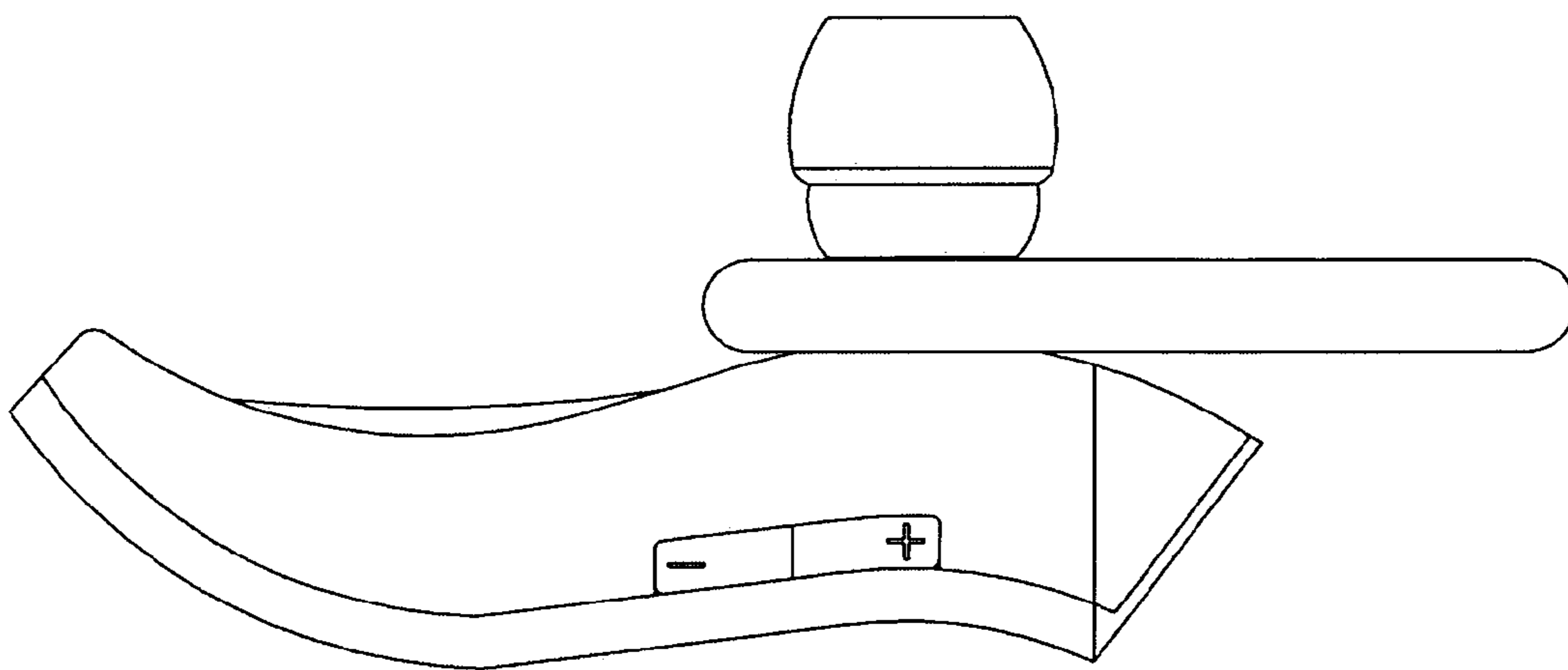
【Fig. 3】



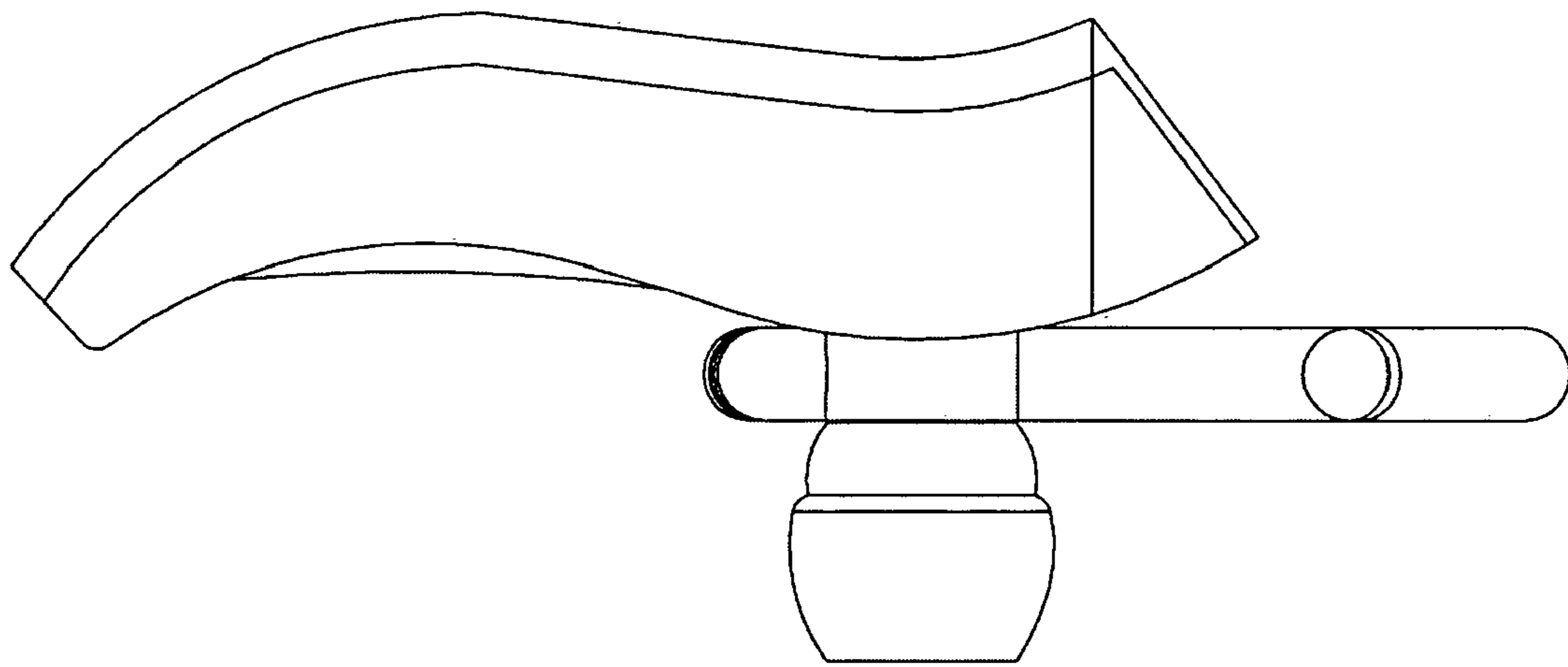
【Fig. 4】



【Fig. 5】



【Fig. 6】



【Fig. 7】