



US00D585876S

(12) **United States Design Patent**
Griffin

(10) **Patent No.:** **US D585,876 S**

(45) **Date of Patent:** **** Feb. 3, 2009**

(54) **REMOTE CONTROLLER FOR A COMPUTER OR AN MP3 PLAYER DEVICE**

D515,515 S * 2/2006 Li D13/168

* cited by examiner

(76) Inventor: **Paul Griffin**, 2846 Polo Club Rd.,
Nashville, TN (US) 37221

Primary Examiner—T. Chase Nelson
Assistant Examiner—John Windmuller

(**) Term: **14 Years**

(74) *Attorney, Agent, or Firm*—Michael E. McKee

(21) Appl. No.: **29/229,833**

(57) **CLAIM**

(22) Filed: **May 12, 2005**

The ornamental design for a remote controller for a computer or an MP3 player device, as shown and described.

(51) **LOC (9) Cl.** **14-03**

(52) **U.S. Cl.** **D14/218**

(58) **Field of Classification Search** D14/218,
D14/455, 138; D13/168; D21/566; D10/104,
D10/106; 345/169; 348/14.05, 114, 211.99,
348/734; 340/825.24, 825.69; 341/22; 455/92,
455/95, 128, 151.1–151.4, 352, 355, FOR. 121;
700/65

DESCRIPTION

See application file for complete search history.

FIG. 1 is a perspective view of a remote controller for a computer or an MP3 player device showing my new design as seen from one angle;

FIG. 2 is top view thereof;

FIG. 3 is a side elevational view thereof as seen from the left in FIG. 2;

FIG. 4 is a bottom view thereof;

FIG. 5 is a side elevational view thereof as seen from the right in FIG. 2;

FIG. 6 is a front elevational view thereof;

FIG. 7 is a back elevational view thereof; and,

FIG. 8 is a perspective view thereof as seen from an alternative angle.

(56) **References Cited**

U.S. PATENT DOCUMENTS

D385,207 S *	10/1997	Urvoy	D10/104
D389,151 S *	1/1998	Shintani	D14/218
D427,177 S *	6/2000	Yamazaki	D14/192
D436,083 S *	1/2001	Kishita et al.	D13/168
D476,972 S *	7/2003	Cohen	D14/217
D496,031 S *	9/2004	Ma et al.	D14/240
D503,687 S *	4/2005	Hoffman	D13/168

1 Claim, 3 Drawing Sheets

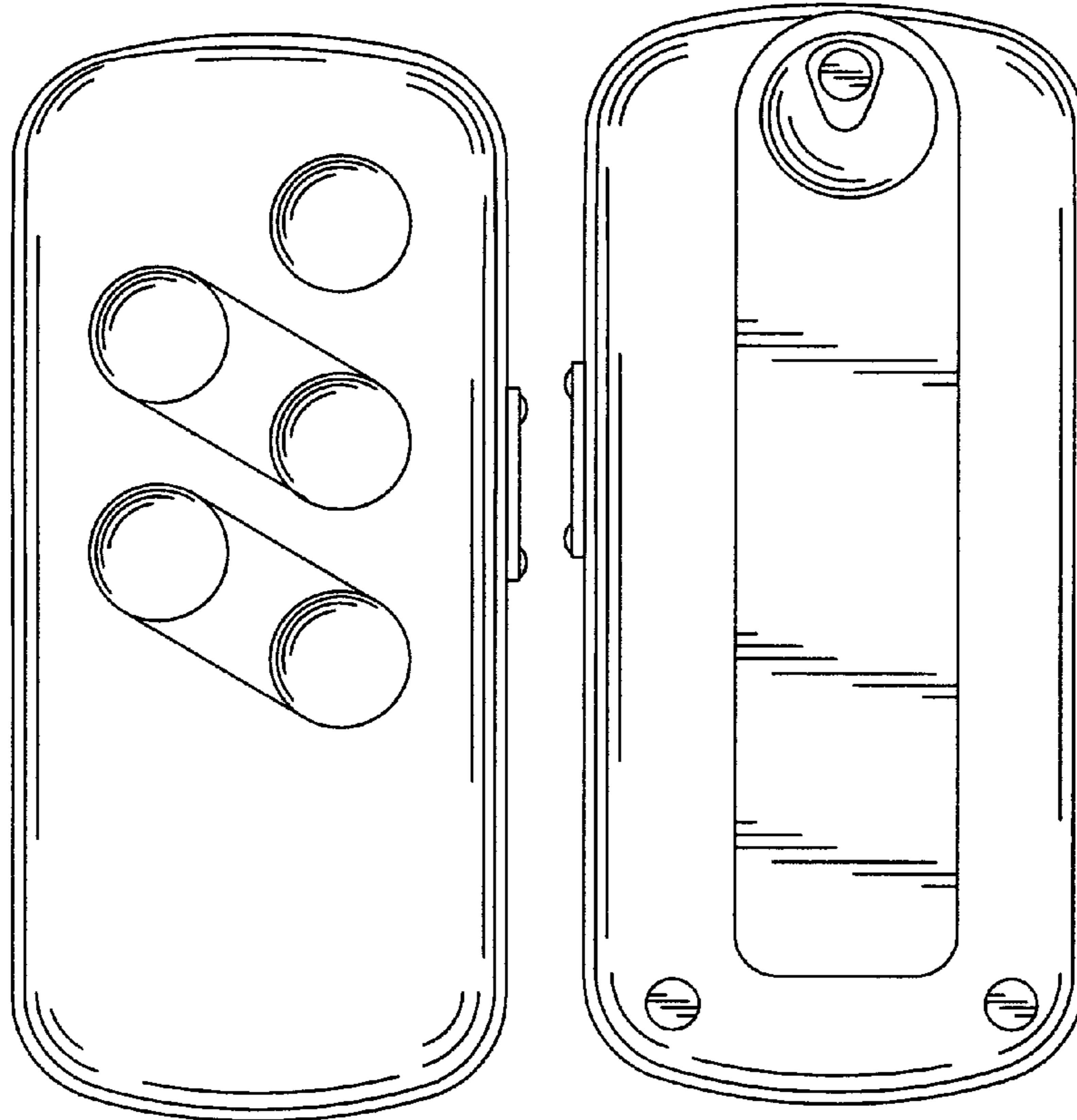


FIG. 1

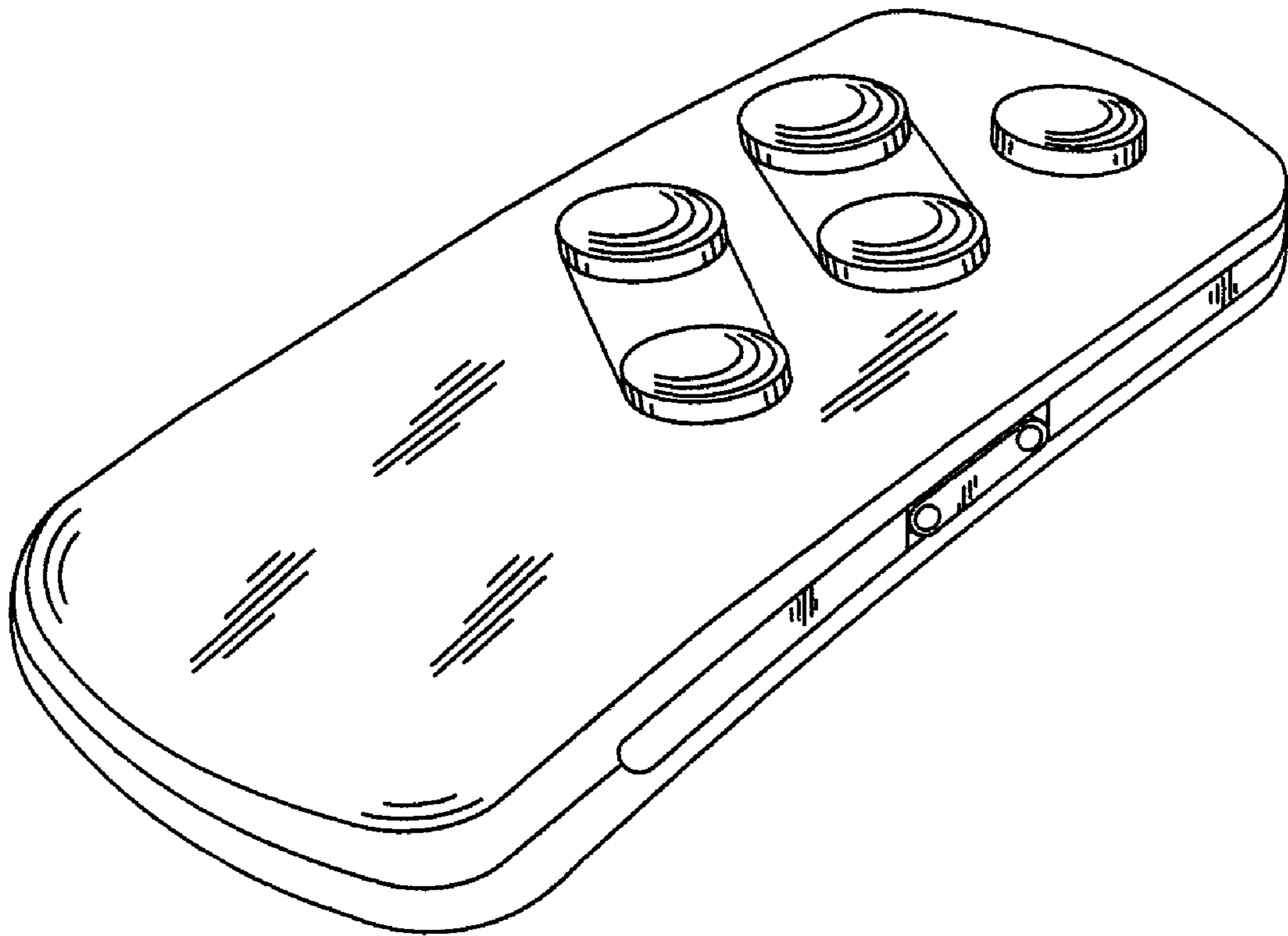


FIG. 8

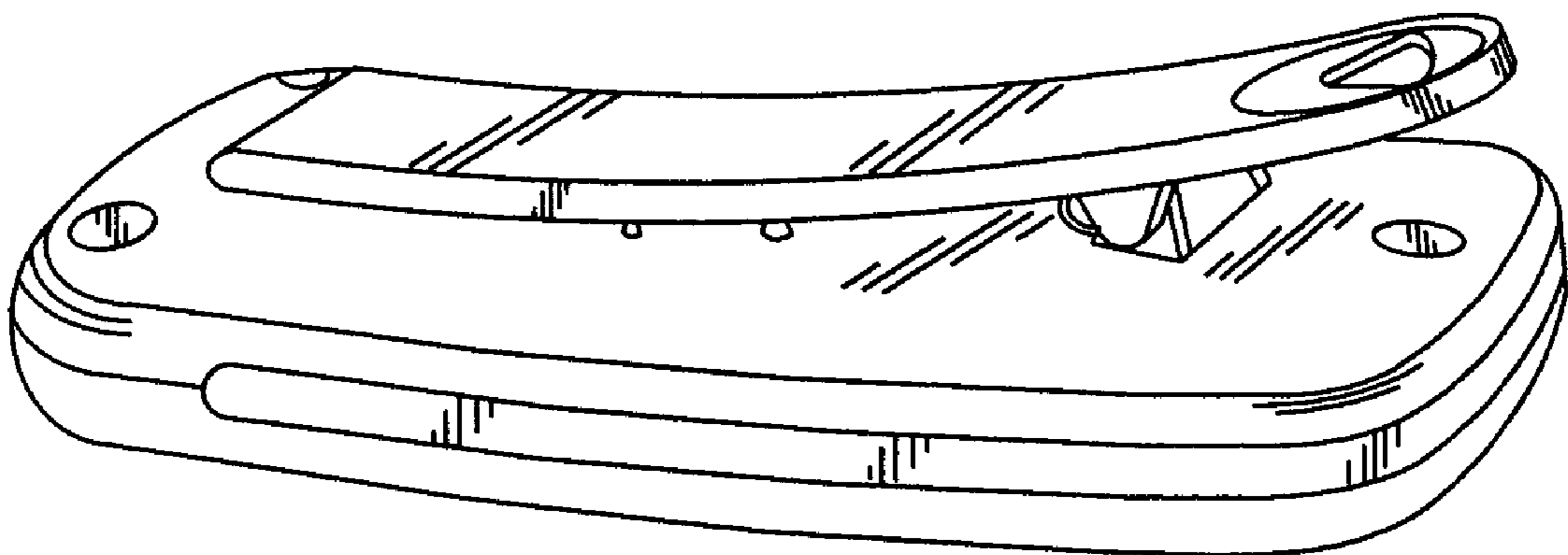


FIG. 2

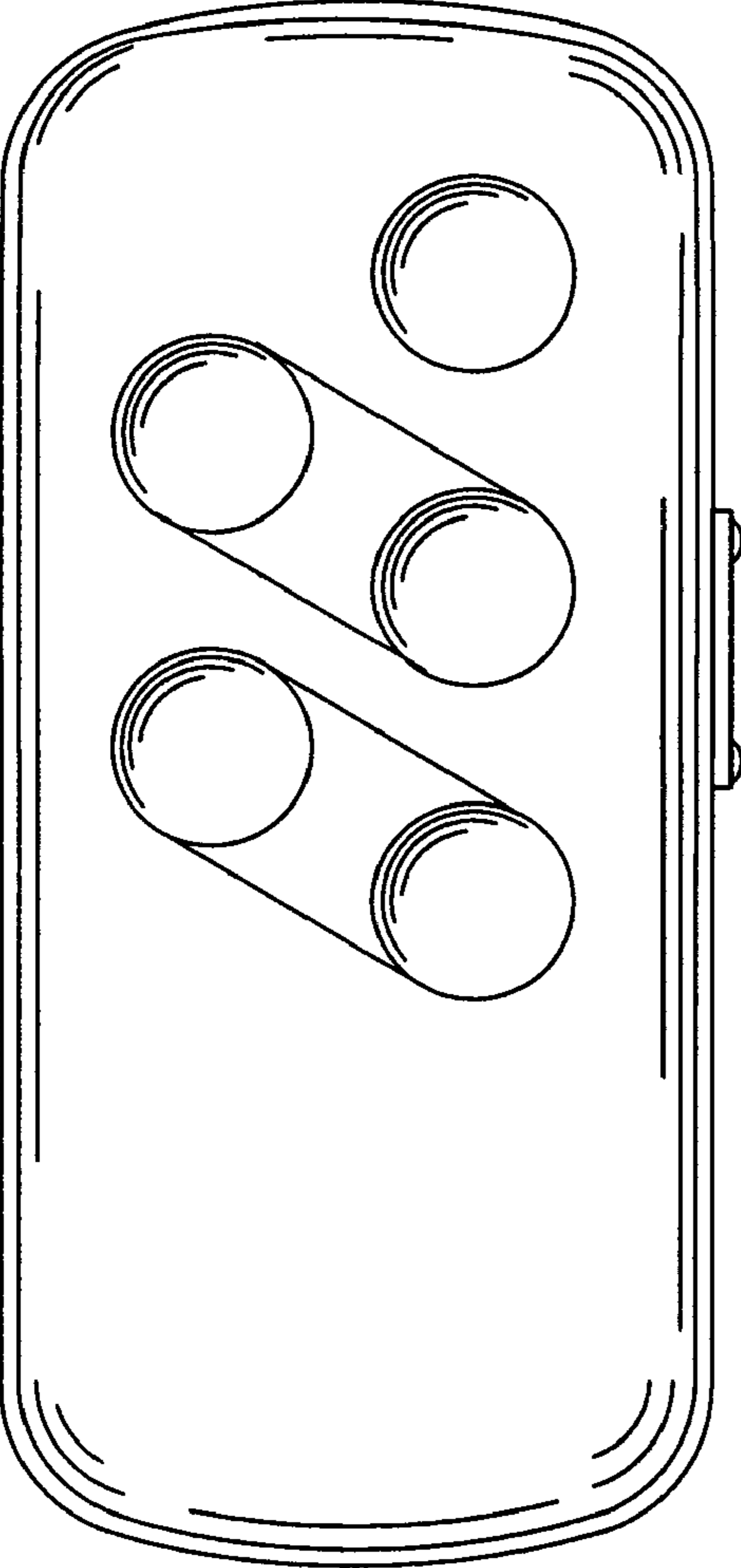


FIG. 3

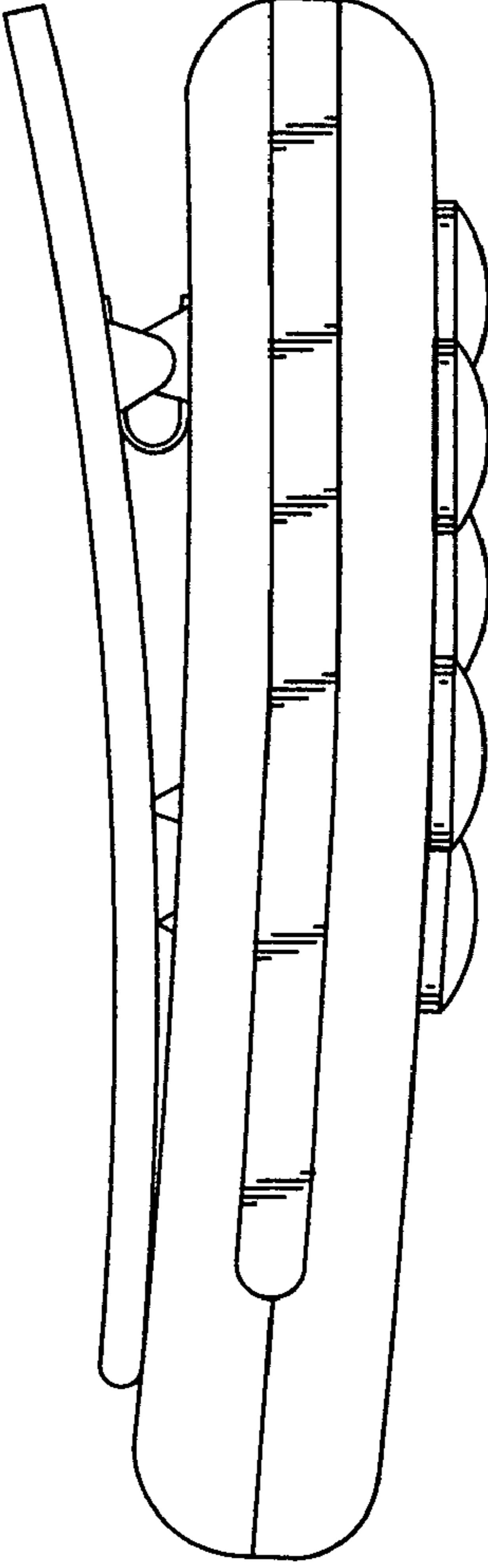


FIG. 4

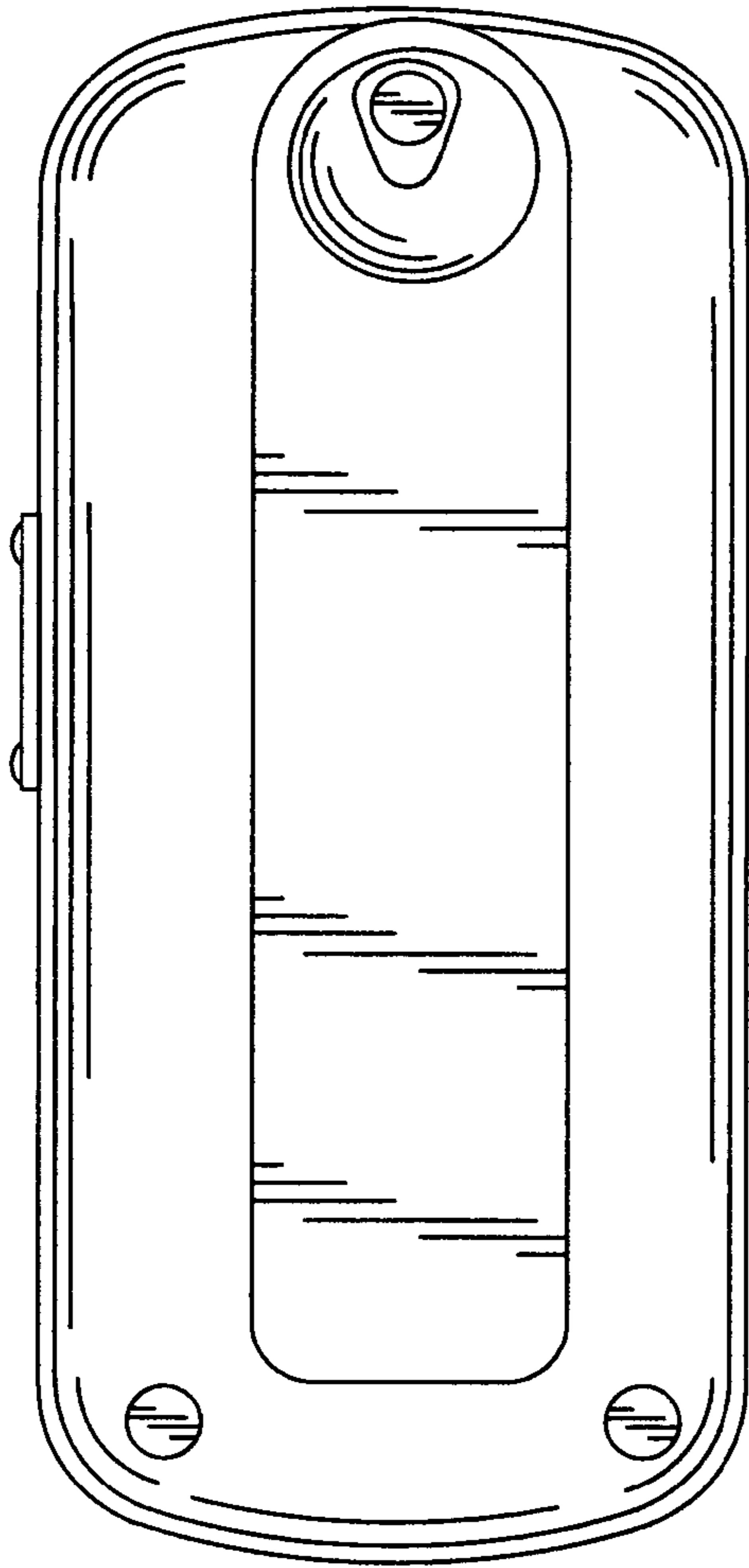


FIG. 5

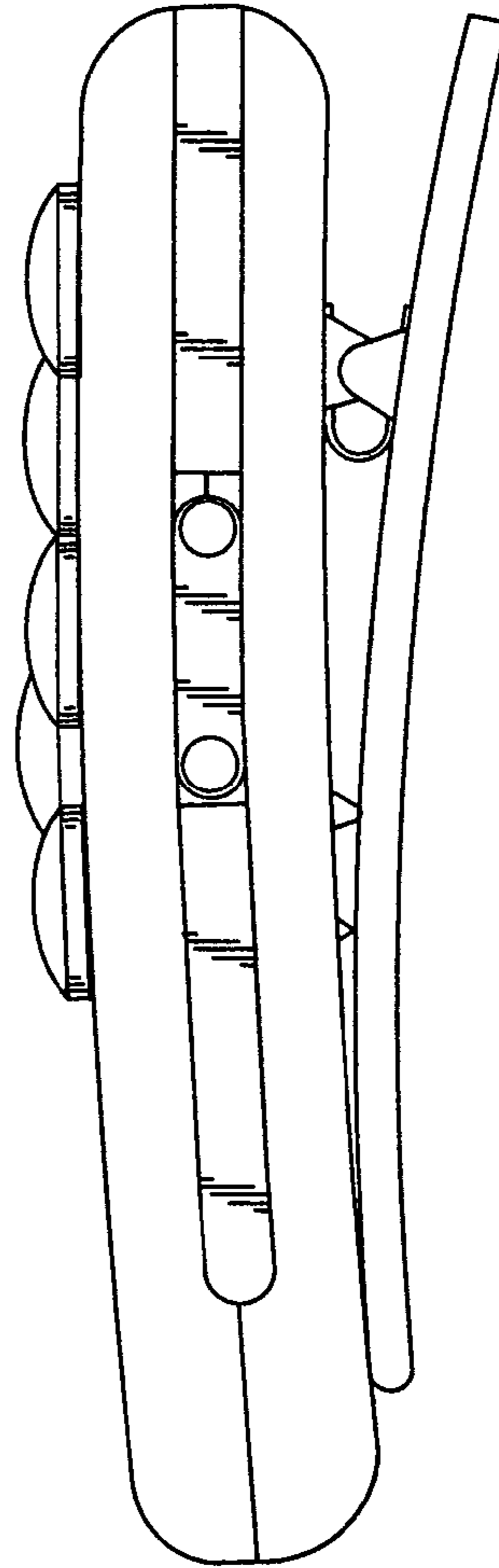


FIG. 6

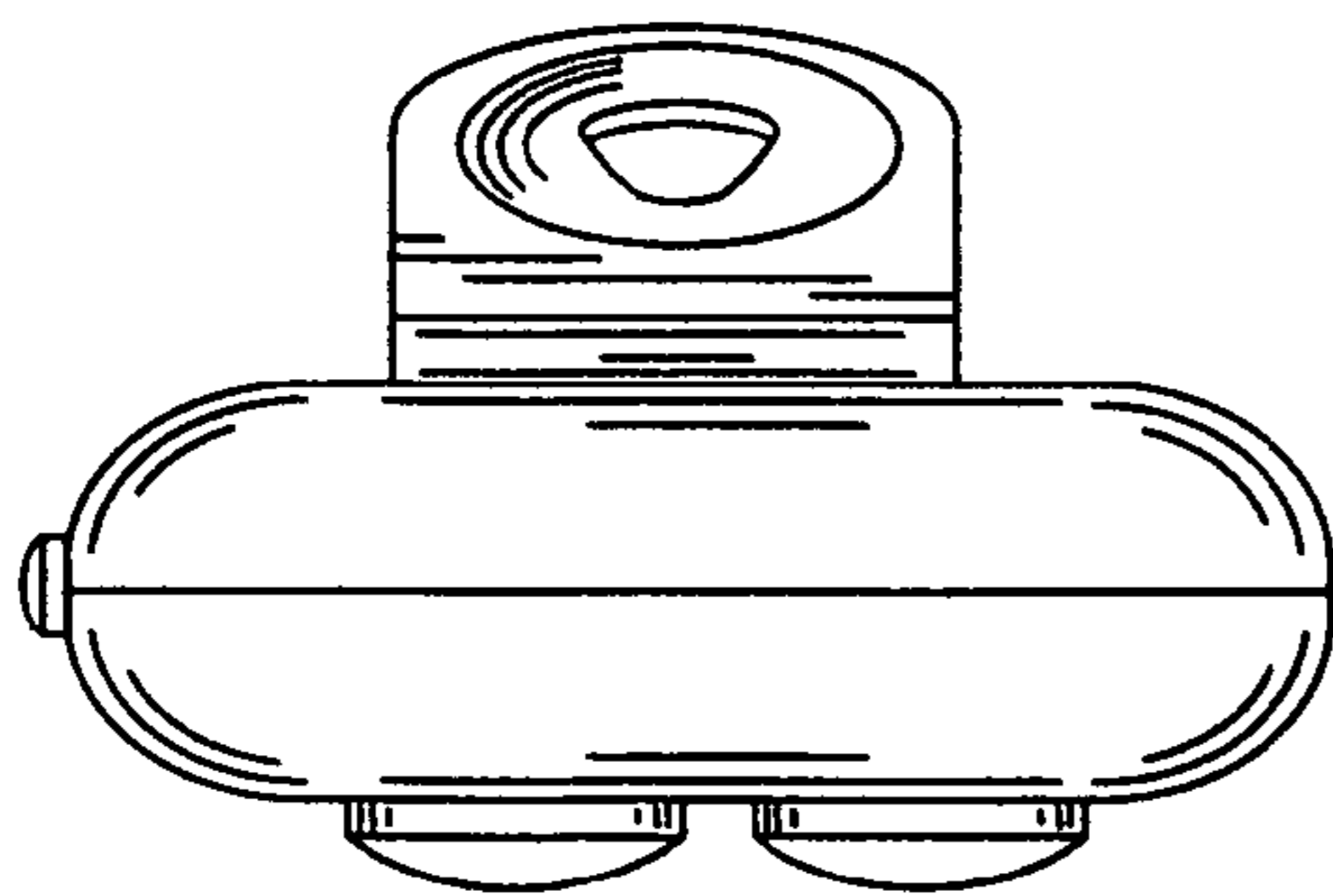


FIG. 7

