



US00D585875S

(12) **United States Design Patent**
Matsuoka

(10) **Patent No.:** **US D585,875 S**
(45) **Date of Patent:** **** Feb. 3, 2009**

(54) **SPEAKER BOX**
(75) Inventor: **Shoichiro Matsuoka**, Tokyo (JP)
(73) Assignee: **Sony Corporation**, Tokyo (JP)
(**) Term: **14 Years**
(21) Appl. No.: **29/290,642**
(22) Filed: **Dec. 28, 2007**

D475,991 S 6/2003 Hisatsune
D512,987 S 12/2005 Tsuge
D543,534 S 5/2007 Tsuge

* cited by examiner

Primary Examiner—Nanda Bondade
(74) *Attorney, Agent, or Firm*—Rader, Fishman & Grauer, PLLC

(30) **Foreign Application Priority Data**
Sep. 25, 2007 (JP) D2007-025902

(51) **LOC (9) Cl.** **14-01**
(52) **U.S. Cl.** **D14/211**
(58) **Field of Classification Search** D14/204,
D14/210–216, 172; 181/143–144, 147–148,
181/150–153, 157, 198–199; 381/300–303,
381/306, 332–333, 336, 345, 361–364, 386–388
See application file for complete search history.

(57) **CLAIM**

The ornamental design for a speaker box, as shown and described.

DESCRIPTION

FIG. 1 is a perspective view of a speaker box showing my new design;
FIG. 2 is a front elevational view thereof;
FIG. 3 is a rear elevational view thereof;
FIG. 4 is a left side elevational view thereof;
FIG. 5 is a right side elevational view thereof;
FIG. 6 is a top plan view thereof; and,
FIG. 7 is a bottom plan view thereof.

(56) **References Cited**
U.S. PATENT DOCUMENTS
4,580,654 A * 4/1986 Hale 181/146
D457,875 S * 5/2002 Joe D14/211

1 Claim, 7 Drawing Sheets

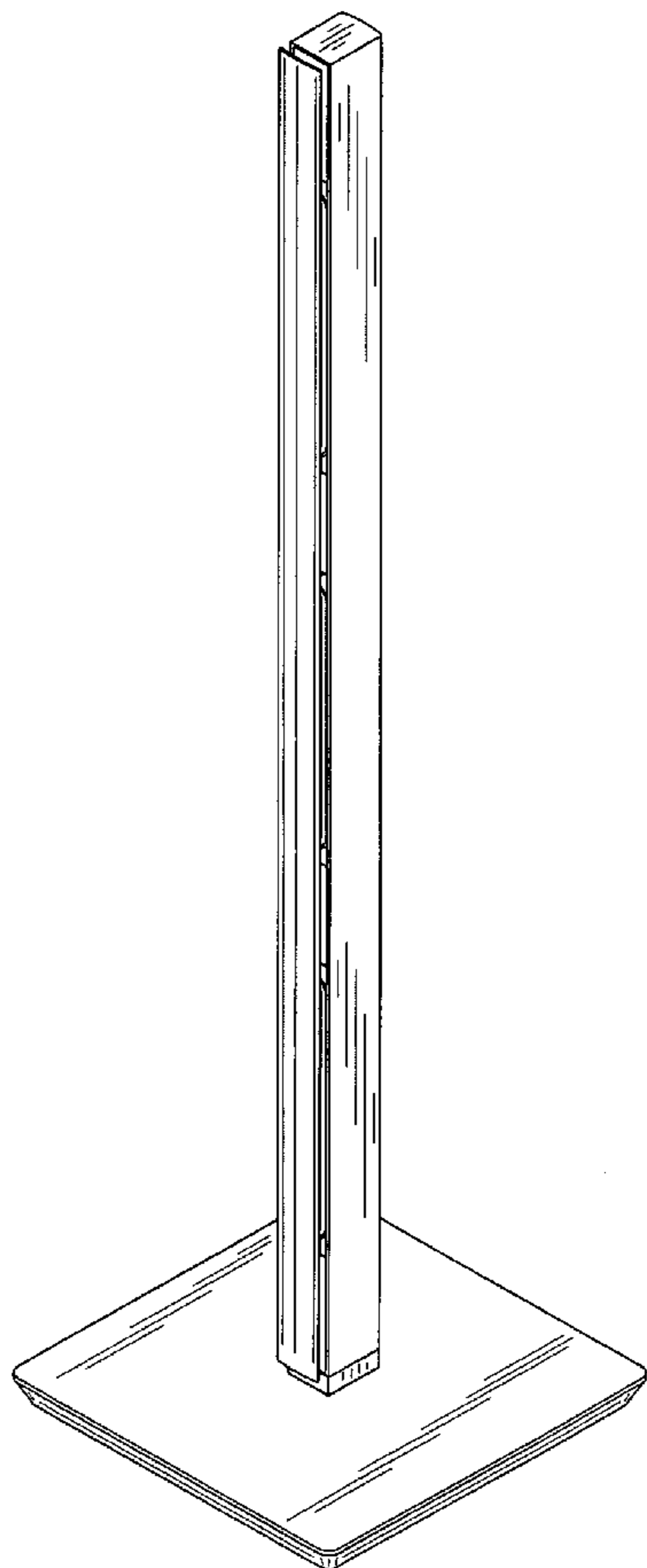


Fig. 1

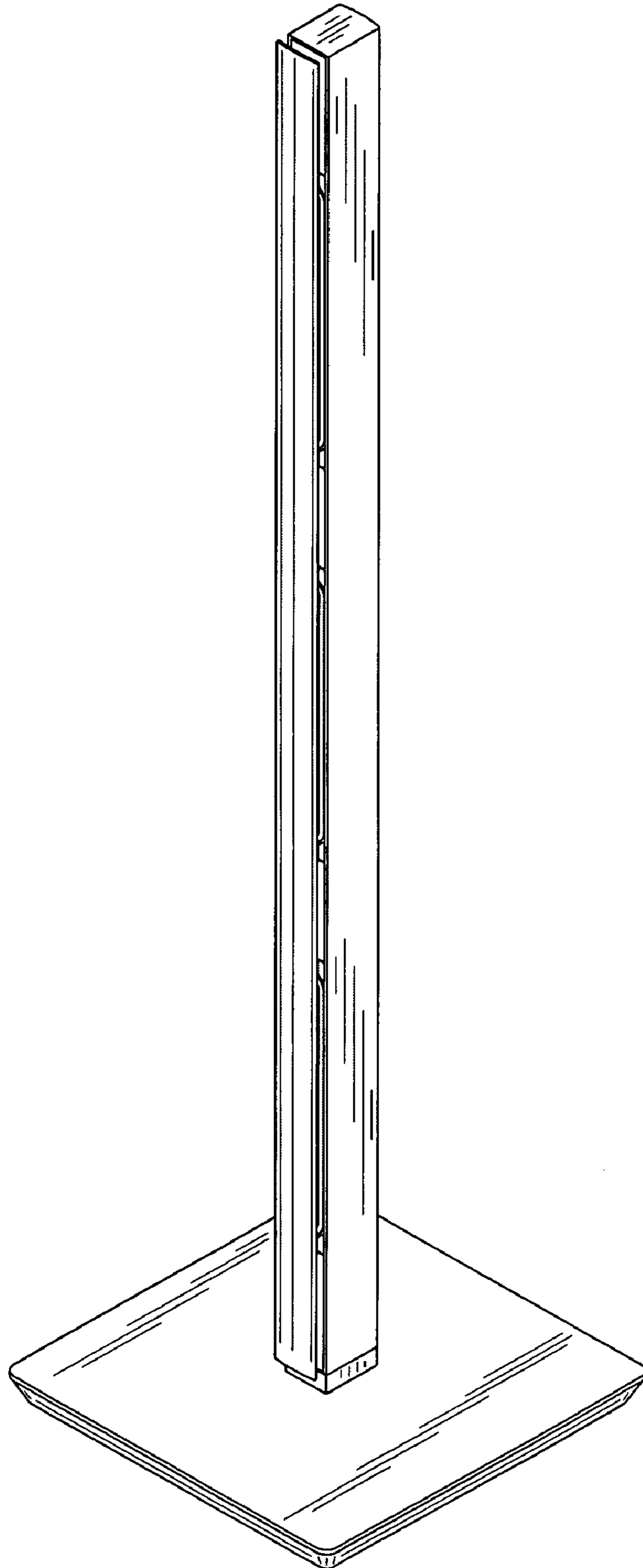


Fig.2

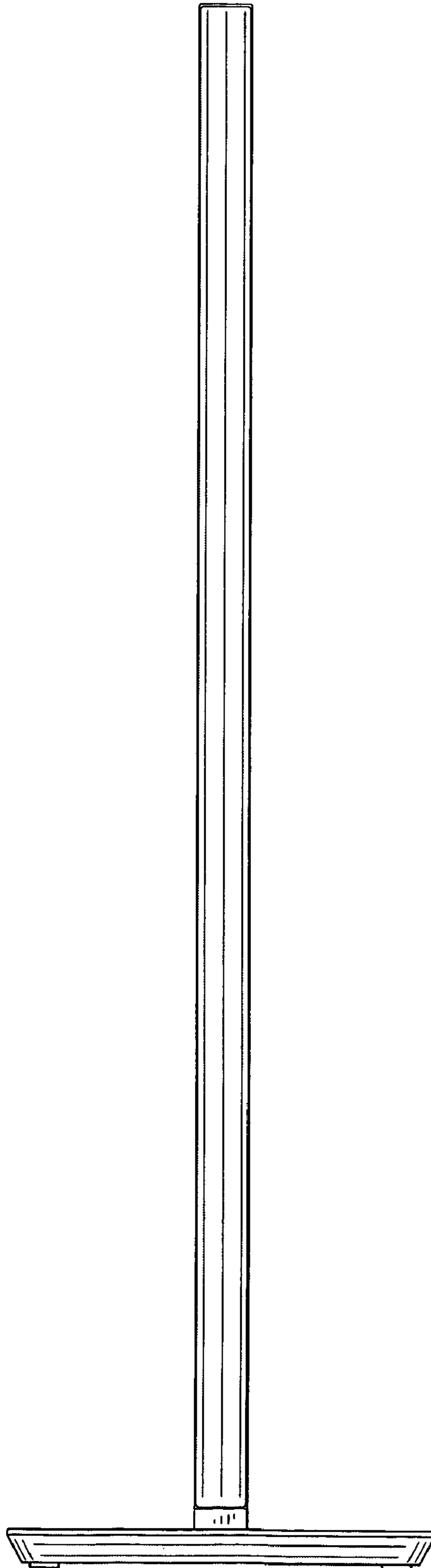


Fig.3

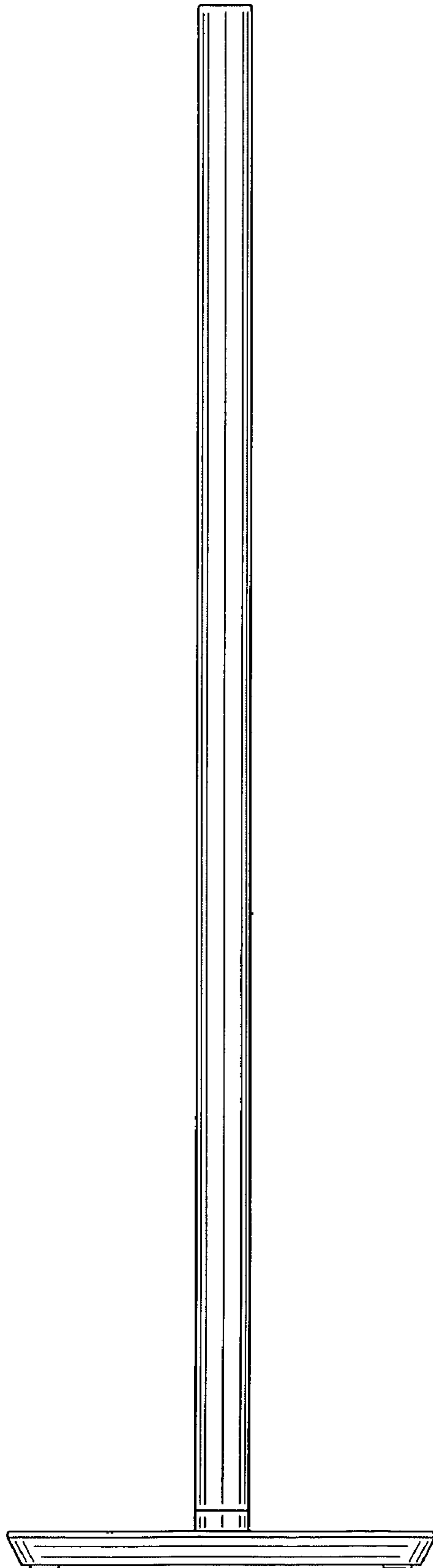


Fig.4

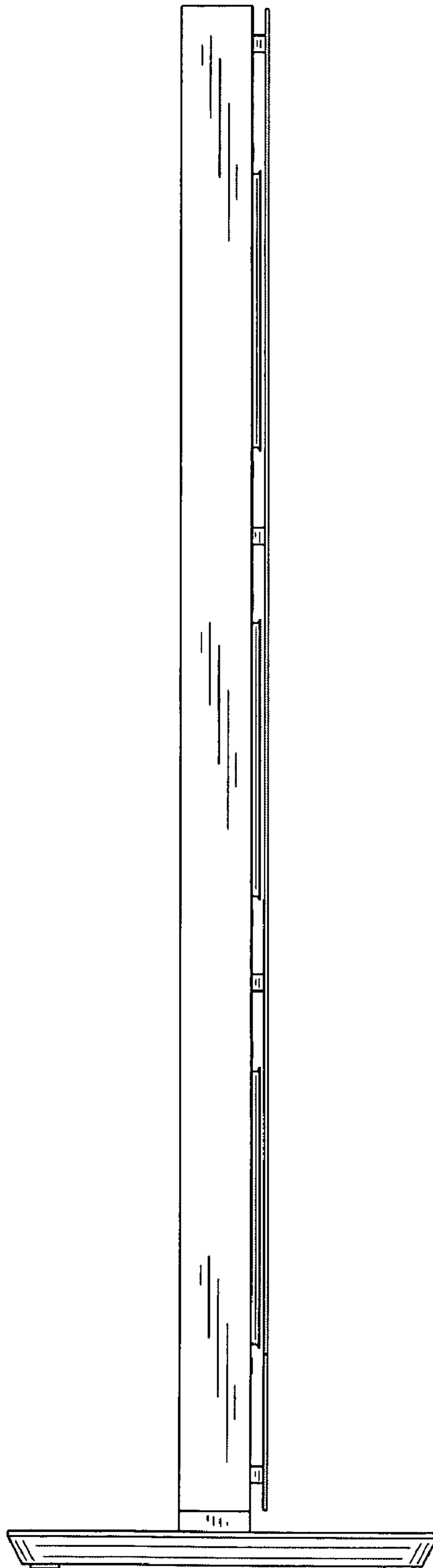


Fig.5

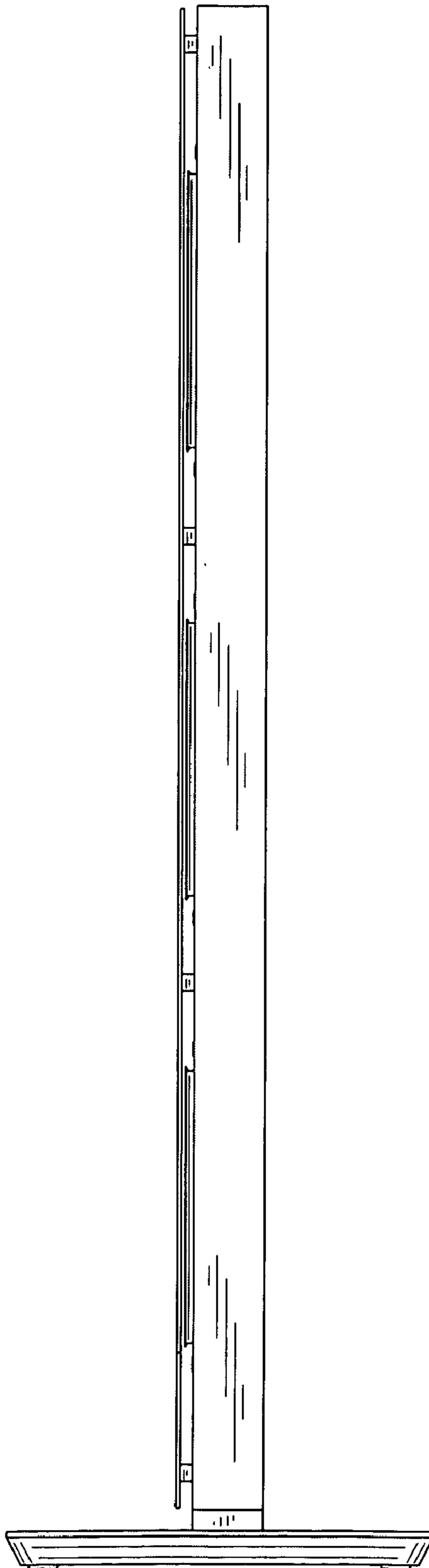


Fig.6

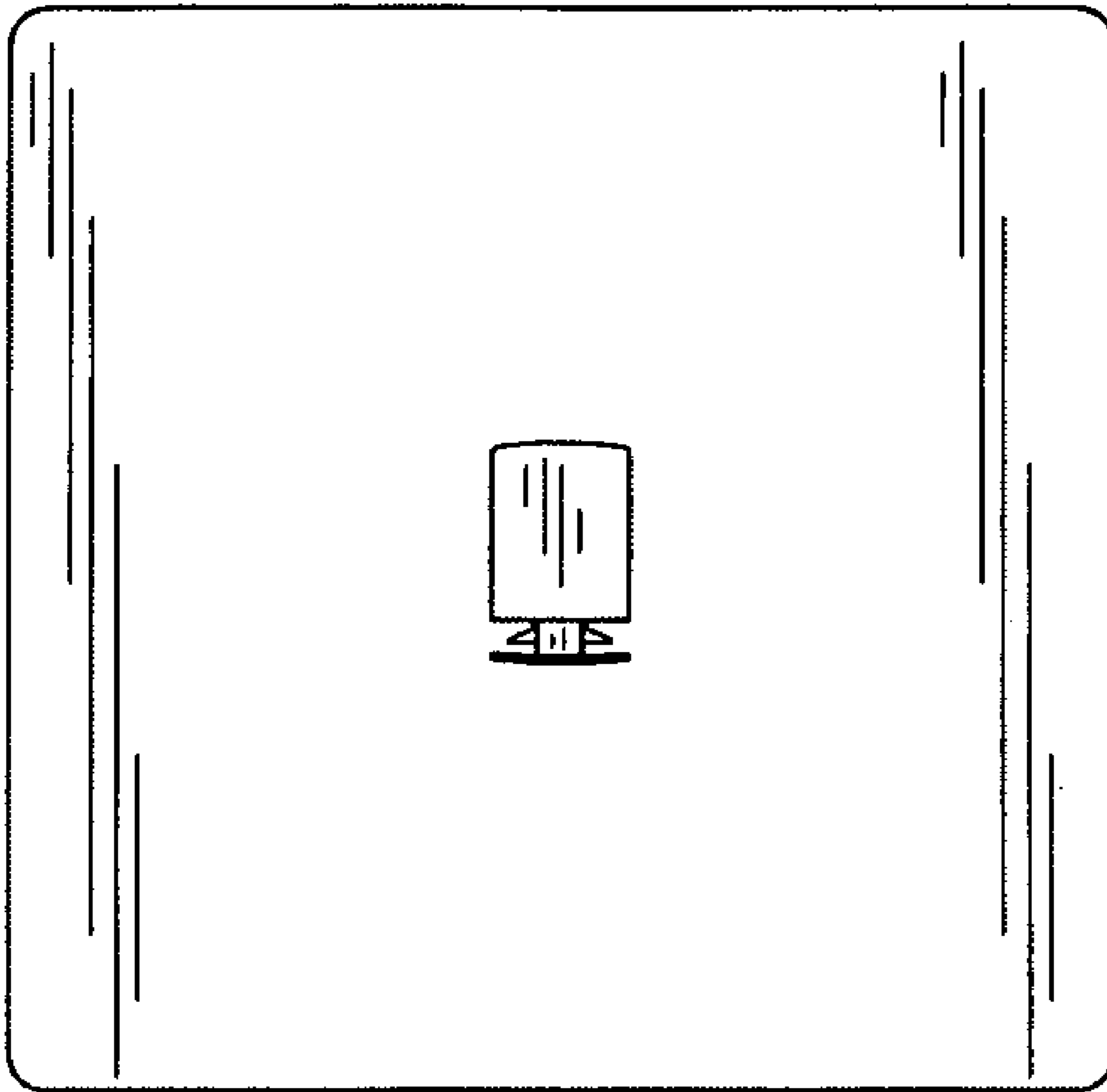


Fig.7

