



US00D585872S

(12) **United States Design Patent**
Lee

(10) **Patent No.:** **US D585,872 S**
(45) **Date of Patent:** **** Feb. 3, 2009**

(54) **HEADPHONE**

(75) Inventor: **Jong-bae Lee**, Seoul (KR)

(73) Assignee: **Phiaton Corporation**, San Diego, CA (US)

(**) Term: **14 Years**

(21) Appl. No.: **29/300,037**

(22) Filed: **Feb. 13, 2008**

(30) **Foreign Application Priority Data**

Jan. 4, 2008 (KR) 30-2008-0000365

(51) **LOC (9) Cl.** **14-01**

(52) **U.S. Cl.** **D14/205**

(58) **Field of Classification Search** D14/142,
D14/188, 192, 205, 206, 223; 181/129-130;
381/309, 380, 381; D29/112; 2/209; 128/857,
128/866, 867; 379/430, 433; 455/575.1,
455/575.2

See application file for complete search history.

(56) **References Cited**

U.S. PATENT DOCUMENTS

D235,210	S	*	5/1975	Hill	D14/205
4,465,159	A	*	8/1984	Stallings	181/129
4,829,571	A	*	5/1989	Kakiuchi et al.	381/309
5,095,382	A	*	3/1992	Abe	398/202
D328,074	S	*	7/1992	Yamazaki et al.	D14/205
D328,461	S	*	8/1992	Daido et al.	D14/205

D337,115	S	*	7/1993	Yamazaki et al.	D14/205
D353,817	S	*	12/1994	Wada	D14/205
D353,818	S	*	12/1994	Nakamura	D14/205
D402,659	S	*	12/1998	Suzuki	D14/215
D422,592	S	*	4/2000	Deguchi	D14/205
D431,550	S	*	10/2000	Yoneda	D14/205
6,629,579	B1	*	10/2003	Hasegawa	181/129
D491,163	S	*	6/2004	Green	D14/205
7,172,052	B2	*	2/2007	Lenhard-Backhaus	181/129

* cited by examiner

Primary Examiner—Paula Greene

(74) *Attorney, Agent, or Firm*—Dickstein Shapiro LLP

(57) **CLAIM**

The ornamental design for a headphone, as shown and described.

DESCRIPTION

FIG. 1 is a perspective view of a headphone of the claimed design.

FIG. 2 is a front elevation view of the headphone of FIG. 1.

FIG. 3 is a rear elevation view of the headphone of FIG. 1.

FIG. 4 is a left side elevation view of the headphone of FIG. 1.

FIG. 5 is a right side elevation view of the headphone of FIG. 1.

FIG. 6 is a top plan view of the headphone of FIG. 1; and,

FIG. 7 is a bottom plan view of the headphone of FIG. 1.

1 Claim, 7 Drawing Sheets

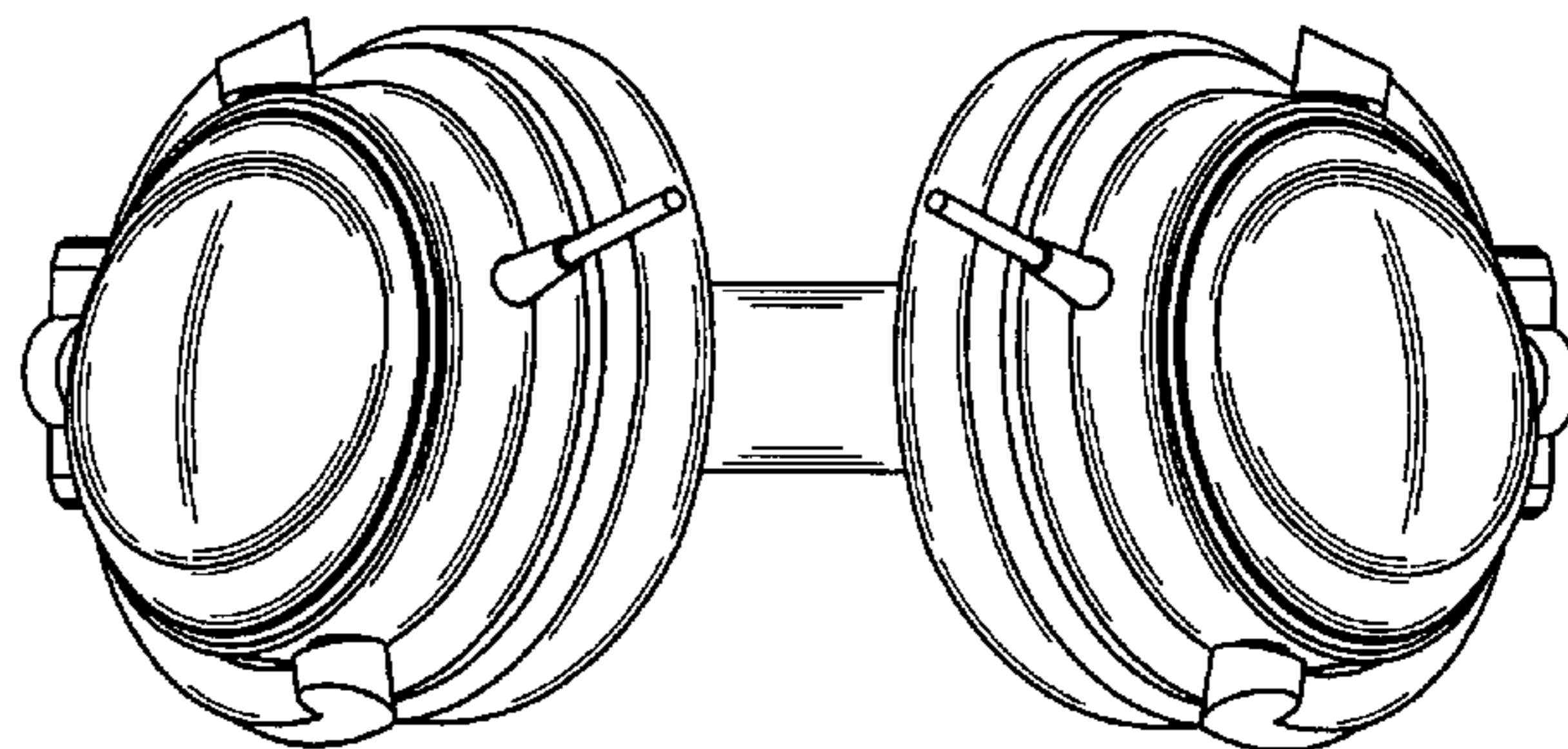


Fig. 1



Fig. 2



Fig. 3



Fig. 4

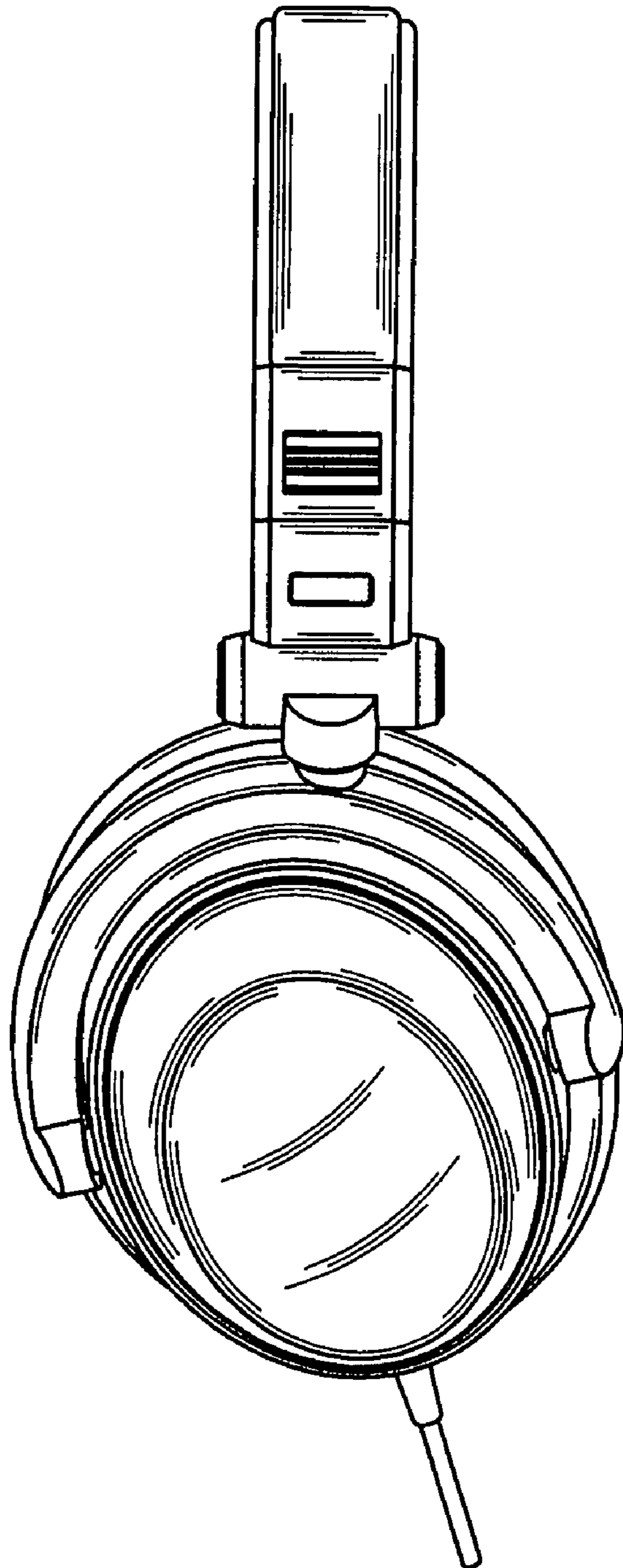


Fig. 5

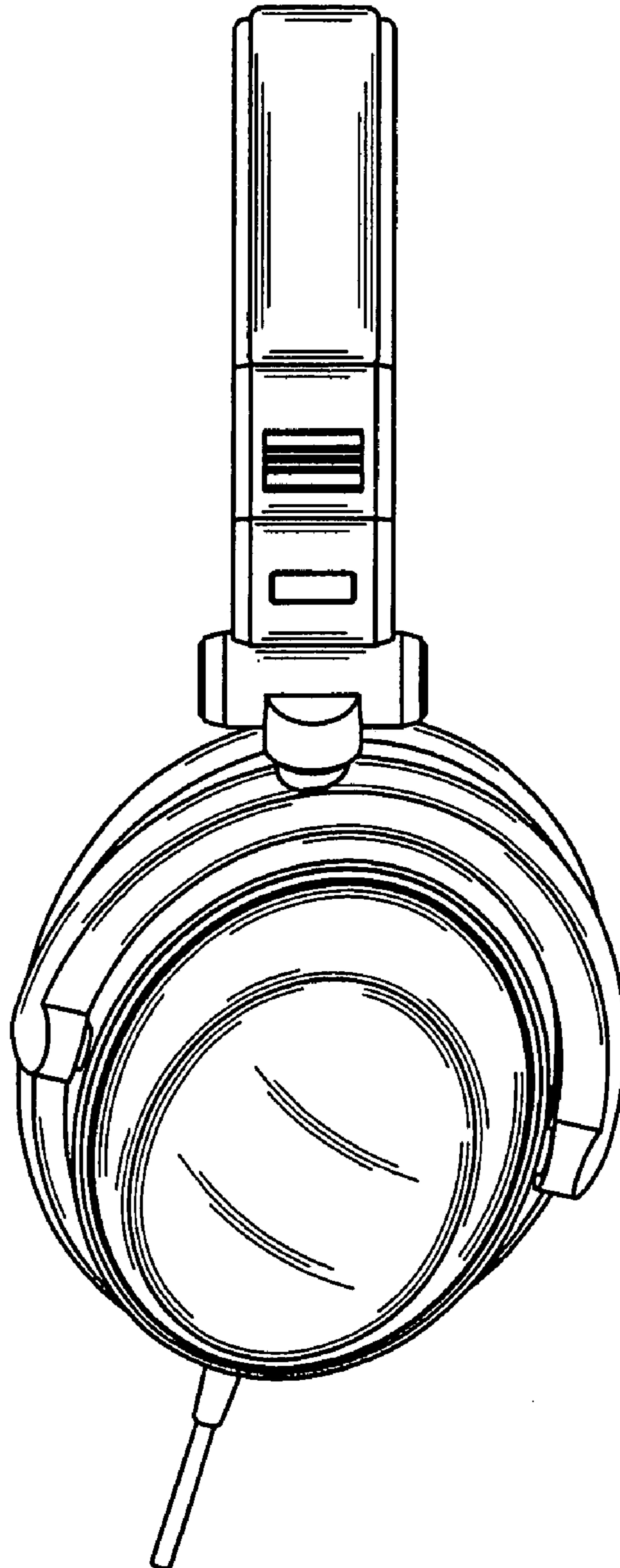


Fig. 6

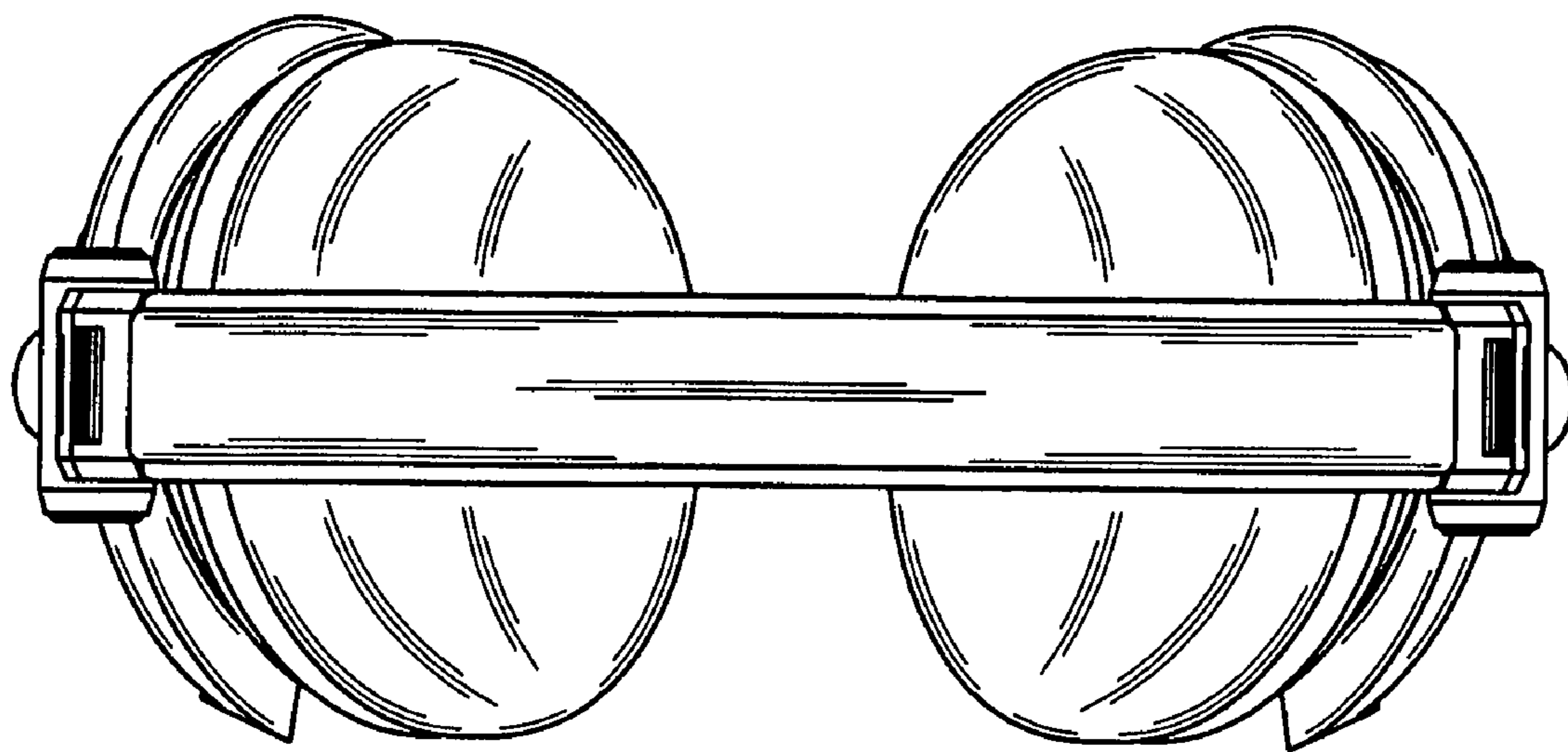


Fig. 7

