



US00D585871S

(12) **United States Design Patent**  
**Lee**

(10) **Patent No.:** **US D585,871 S**  
(45) **Date of Patent:** **\*\* Feb. 3, 2009**

(54) **HEADPHONE**

(75) Inventor: **Jong-bae Lee**, Seoul (KR)

(73) Assignee: **Phiaton Corporation**, San Diego, CA (US)

(\*\*) Term: **14 Years**

(21) Appl. No.: **29/300,036**

(22) Filed: **Feb. 13, 2008**

(30) **Foreign Application Priority Data**

Jan. 4, 2008 (KR) ..... 30-2008-0000364

(51) **LOC (9) Cl.** ..... **14-01**

(52) **U.S. Cl.** ..... **D14/205**

(58) **Field of Classification Search** ..... D14/142,  
D14/188, 192, 205, 206, 223; 181/129–130;  
381/309, 380, 381; D29/112; 2/209; 128/857,  
128/866; 379/430, 433; 455/575.1, 575.2  
See application file for complete search history.

(56) **References Cited**

**U.S. PATENT DOCUMENTS**

- 2,437,049 A \* 3/1948 Salisbury et al. .... 128/866
- D229,833 S \* 1/1974 Becker ..... D14/205
- D235,210 S \* 5/1975 Hill ..... D14/205
- 4,409,442 A \* 10/1983 Kamimura ..... 381/383
- D284,859 S \* 7/1986 Okada ..... D14/192
- 4,829,571 A \* 5/1989 Kakiuchi et al. .... 381/309
- 5,406,037 A \* 4/1995 Nageno et al. .... 181/129
- D376,598 S \* 12/1996 Hayashi ..... D14/206
- D386,181 S \* 11/1997 Fisher ..... D14/205
- D394,062 S \* 5/1998 Chun ..... D14/192
- D413,413 S \* 8/1999 Dillon et al. .... D29/112
- 6,006,115 A \* 12/1999 Wingate ..... 455/575.2
- D430,140 S \* 8/2000 Roman ..... D14/205
- D439,574 S \* 3/2001 Katayama ..... D14/156
- D444,140 S \* 6/2001 Ishibashi ..... D14/192
- D458,597 S \* 6/2002 Davies et al. .... D14/206
- D472,889 S \* 4/2003 Tanaka et al. .... D14/206

- 6,629,579 B1 \* 10/2003 Hasegawa ..... 181/129
- 6,654,966 B2 \* 12/2003 Rolla ..... 2/209
- D484,868 S \* 1/2004 Suzuki ..... D14/205
- D508,908 S \* 8/2005 Chueh ..... D14/205
- D510,335 S \* 10/2005 Suzuki ..... D14/205
- D512,708 S \* 12/2005 Harris et al. .... D14/205
- D514,087 S \* 1/2006 Wilson et al. .... D14/206
- D517,045 S \* 3/2006 Komiyama ..... D14/205
- D532,407 S \* 11/2006 Motoishi ..... D14/205
- 7,172,052 B2 \* 2/2007 Lenhard-Backhaus ..... 181/129
- D538,261 S \* 3/2007 Taylor et al. .... D14/205
- D539,267 S \* 3/2007 Komiyama ..... D14/205
- D540,301 S \* 4/2007 Obata ..... D14/205
- D540,302 S \* 4/2007 Hagiwara et al. .... D14/205
- D541,255 S \* 4/2007 Taylor et al. .... D14/205
- D549,688 S \* 8/2007 Suzuki ..... D14/205
- D552,077 S \* 10/2007 Brunner et al. .... D14/205
- D557,684 S \* 12/2007 Pundsack et al. .... D14/205
- D573,581 S \* 7/2008 Gondo et al. .... D14/205

\* cited by examiner

*Primary Examiner*—Paula Greene

(74) *Attorney, Agent, or Firm*—Dickstein Shapiro LLP

(57) **CLAIM**

The ornamental design for a headphone, as shown and described.

**DESCRIPTION**

FIG. 1 is a perspective view of a headphone of the claimed design.

FIG. 2 is a front elevation view of the headphone of FIG. 1.

FIG. 3 is a rear elevation view of the headphone of FIG. 1.

FIG. 4 is a left side elevation view of the headphone of FIG. 1.

FIG. 5 is a right side elevation view of the headphone of FIG. 1.

FIG. 6 is a top plan view of the headphone of FIG. 1; and,

FIG. 7 is a bottom plan view of the headphone of FIG. 1.

**1 Claim, 7 Drawing Sheets**

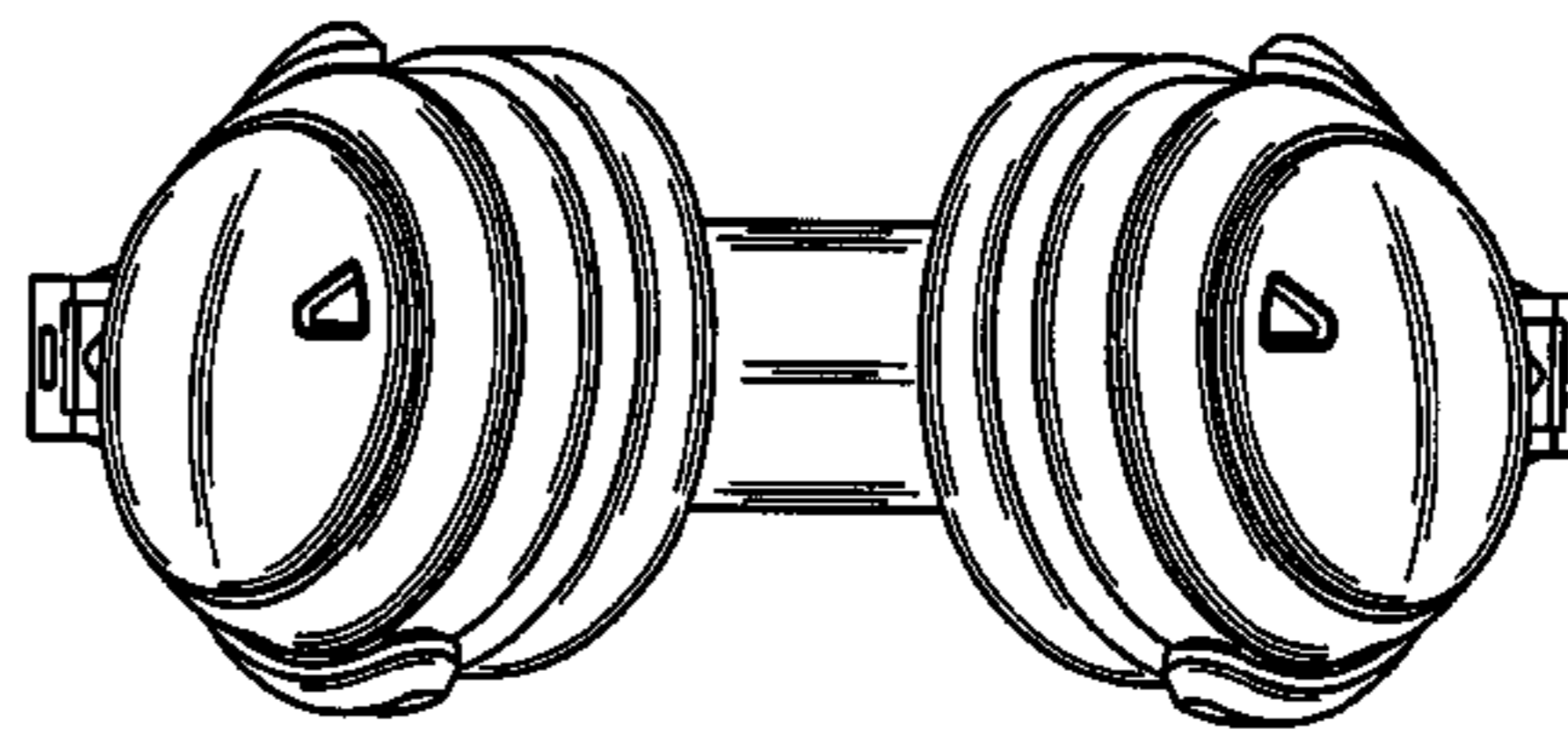
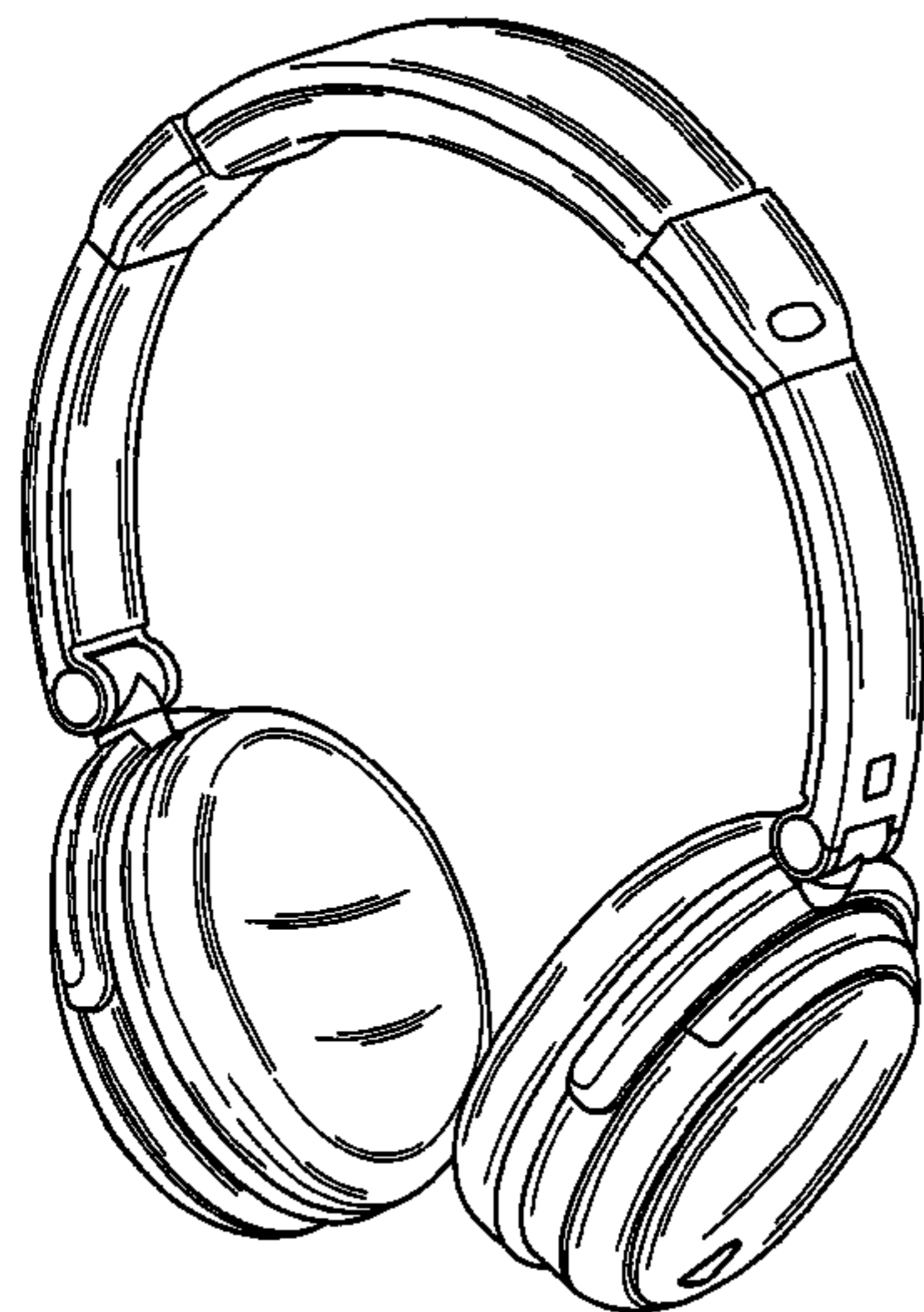


Fig. 1

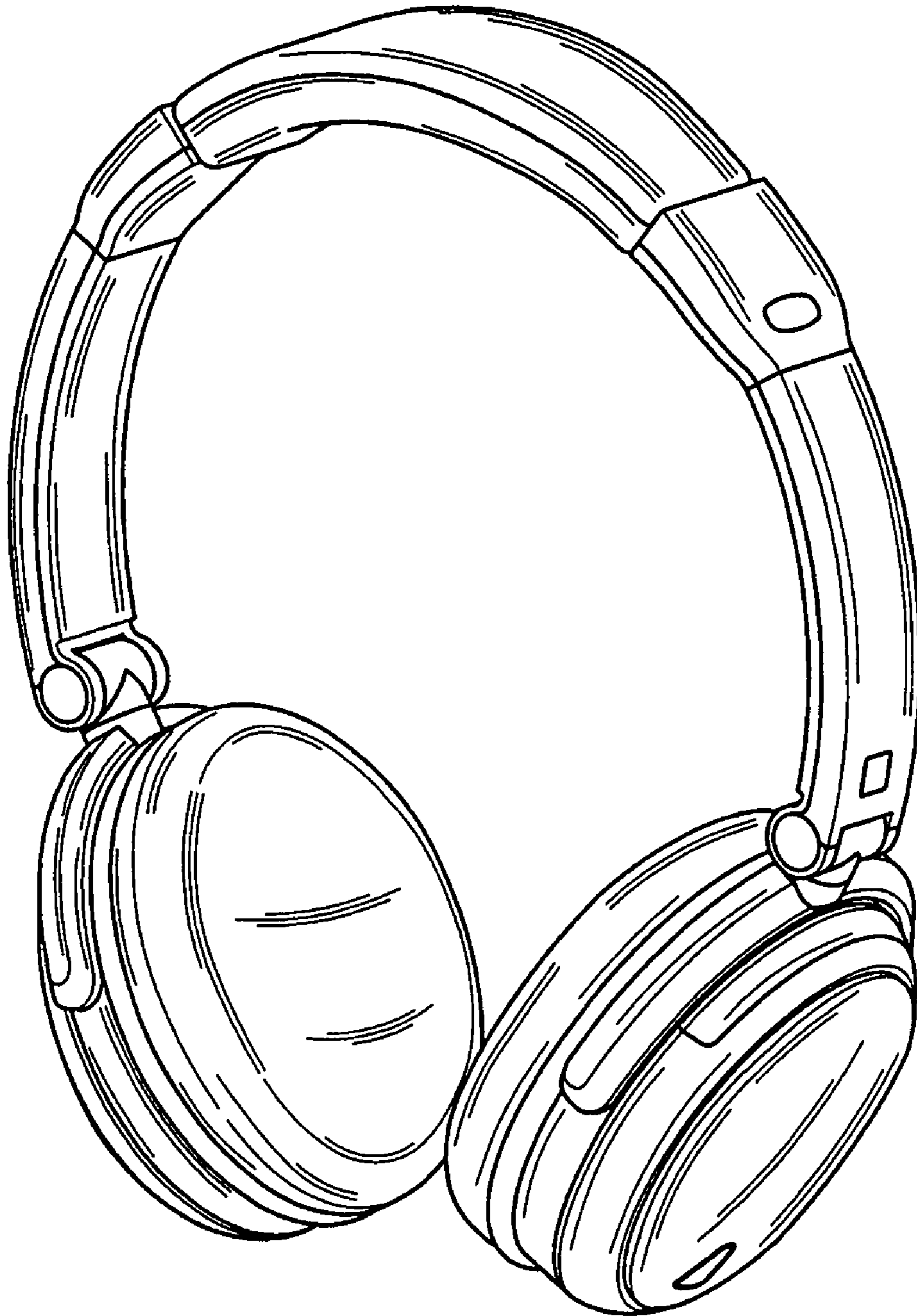


Fig. 2

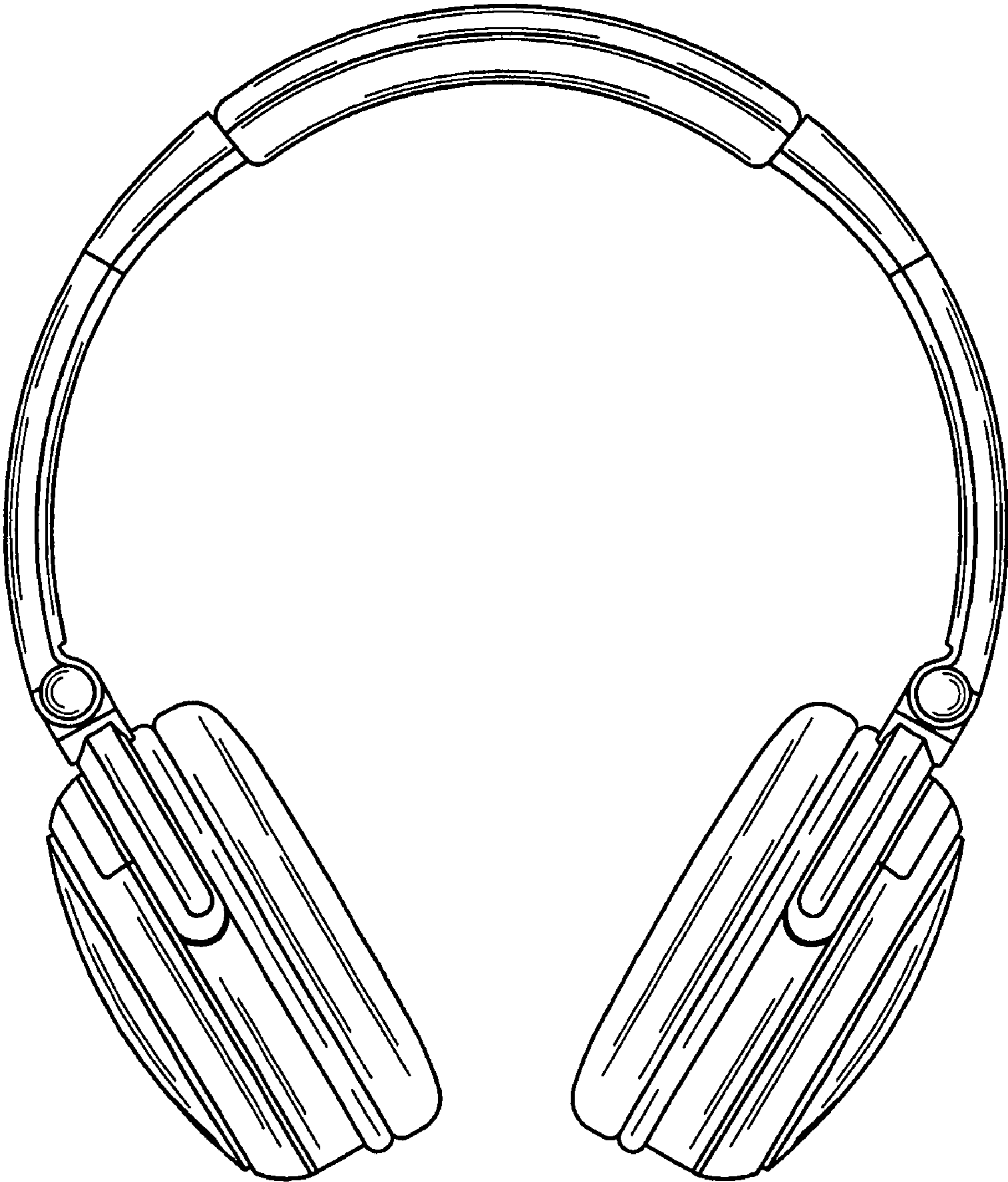
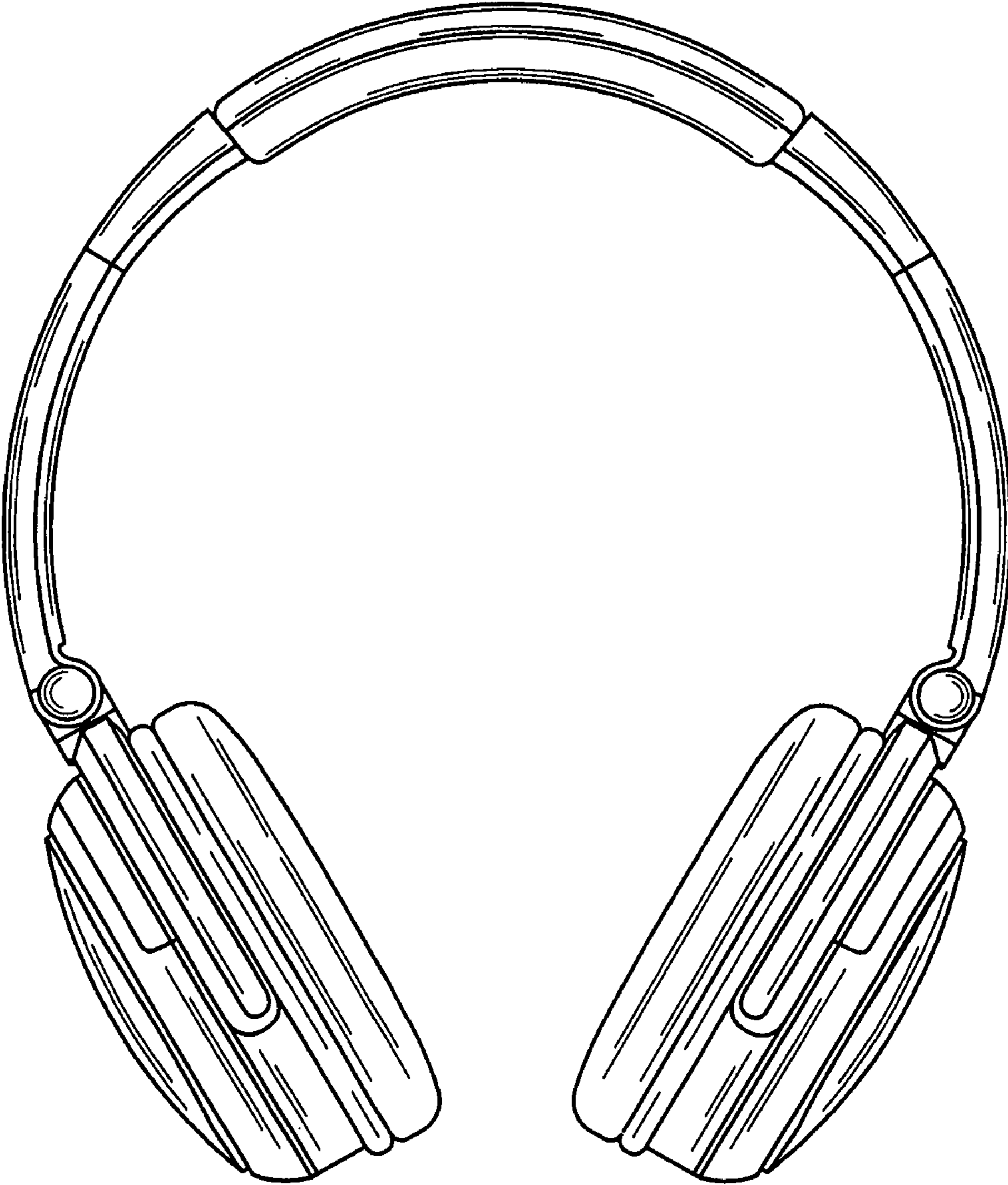


Fig. 3



**Fig. 4**

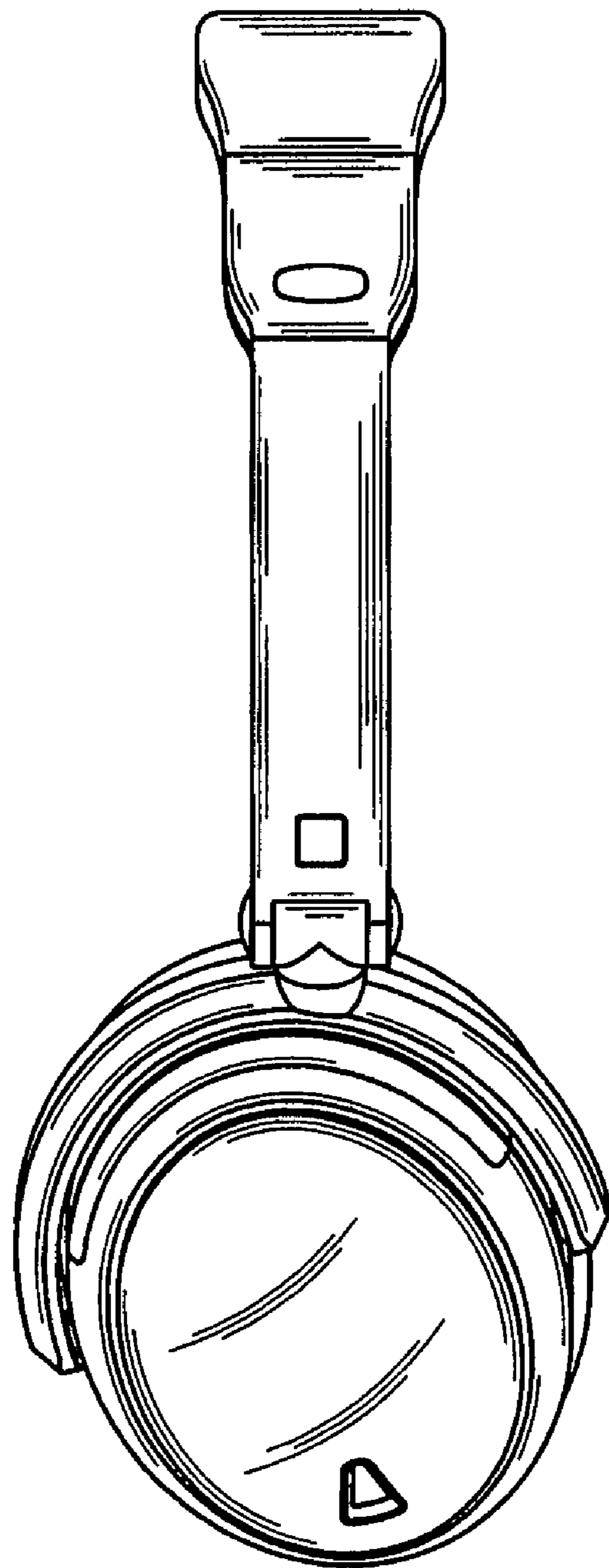


Fig. 5

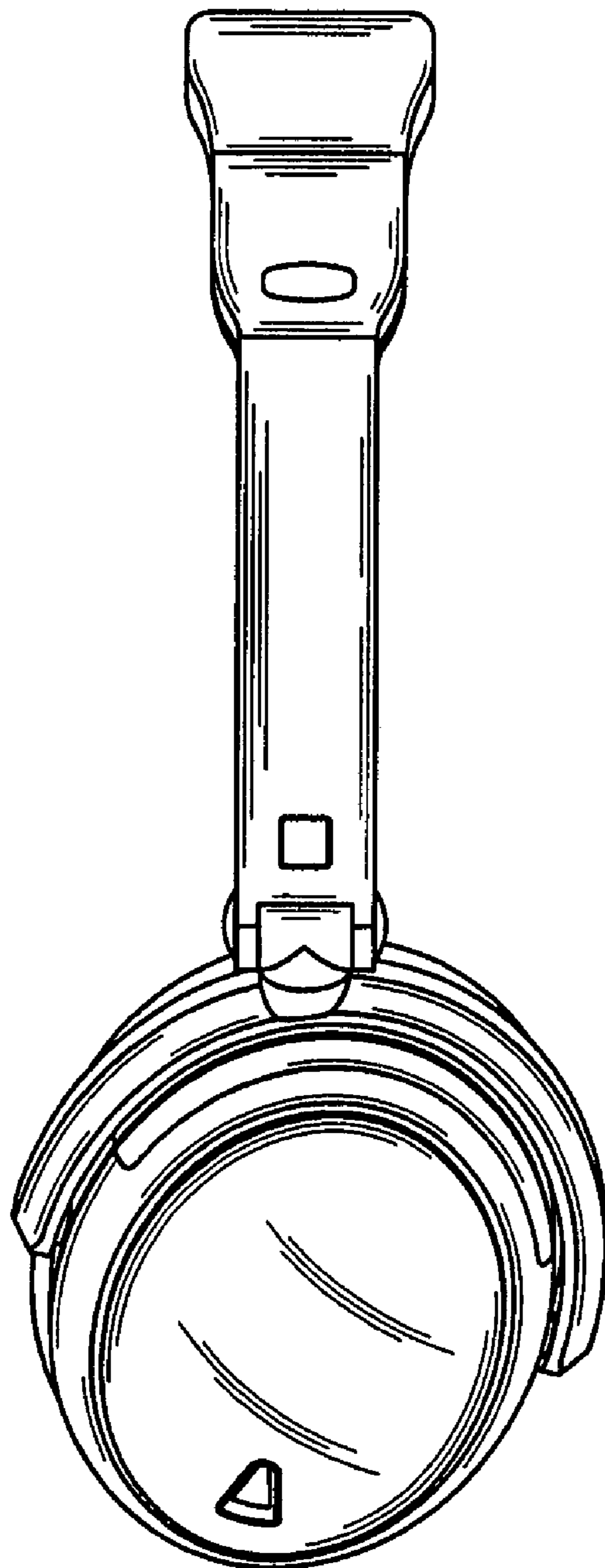


Fig. 6

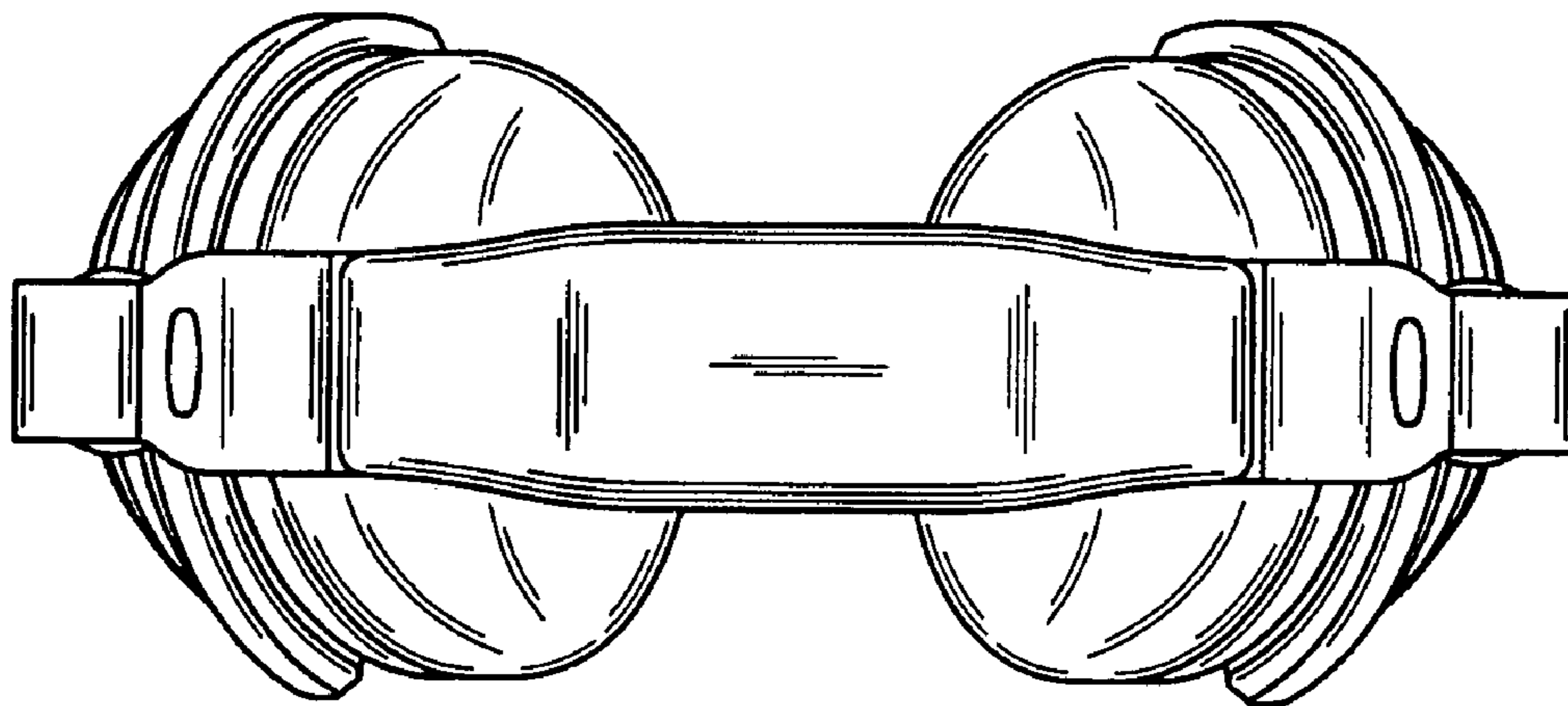


Fig. 7

