



US00D585859S

(12) **United States Design Patent**  
**Tejima**

(10) **Patent No.:** **US D585,859 S**  
(45) **Date of Patent:** **\*\* Feb. 3, 2009**

(54) **COMBINED DISC RECORDER AND HARD DISK DRIVE**

(75) Inventor: **Keisuke Tejima**, Tokyo (JP)

(73) Assignee: **Sony Corporation**, Tokyo (JP)

(\*\*) Term: **14 Years**

(21) Appl. No.: **29/294,173**

(22) Filed: **Dec. 27, 2007**

(30) **Foreign Application Priority Data**

Aug. 23, 2007 (JP) ..... D2007-022792

(51) **LOC (9) Cl.** ..... **14-01**

(52) **U.S. Cl.** ..... **D14/136; D14/168**

(58) **Field of Classification Search** ..... D14/135-136,  
D14/156-157, 168, 188, 197-198, 257-258,  
D14/348, 356, 365, 367-368; 360/99.02,  
360/99.07; 369/75.11, 75.21, 77.11, 77.21;  
455/344, 347-351

See application file for complete search history.

(56) **References Cited**

**U.S. PATENT DOCUMENTS**

- D414,182 S 9/1999 Miyazaki
- D495,330 S \* 8/2004 Kanatani et al. .... D14/356
- D501,659 S 2/2005 Yamaji
- D505,930 S \* 6/2005 Oikawa ..... D14/136
- D511,333 S \* 11/2005 Lai et al. .... D14/156
- D518,040 S \* 3/2006 Tanimura ..... D14/368
- D519,960 S 5/2006 Kwon et al.
- D519,962 S 5/2006 Kim et al.
- D520,478 S 5/2006 Kwon et al.
- D520,479 S 5/2006 Kwon et al.
- D520,973 S 5/2006 Kwon et al.
- D520,974 S 5/2006 Lim
- D520,975 S 5/2006 Kim et al.
- D521,965 S 5/2006 Ko et al.
- D523,832 S 6/2006 Kwon et al.
- D525,958 S 8/2006 Kwon et al.
- D526,981 S 8/2006 Kim et al.

- D527,362 S \* 8/2006 Inoue ..... D14/136
- D529,885 S 10/2006 Park et al.
- D530,690 S 10/2006 Takahashi
- D530,693 S 10/2006 Park et al.
- D530,694 S 10/2006 Park
- D530,695 S 10/2006 Park
- D531,153 S 10/2006 Lim et al.
- D531,590 S 11/2006 Maeyama
- D533,159 S 12/2006 Kim et al.
- D536,682 S 2/2007 Lim et al.
- D536,683 S 2/2007 Lim et al.
- D537,425 S 2/2007 Park
- D538,768 S 3/2007 Lim et al.
- D539,250 S 3/2007 Park
- D539,771 S 4/2007 Park
- D547,285 S 7/2007 Yoshida

**FOREIGN PATENT DOCUMENTS**

- JP D1278454 S 8/2006
- JP D1302933 S 6/2007

\* cited by examiner

*Primary Examiner*—Nanda Bondade

(74) *Attorney, Agent, or Firm*—Rader, Fishman & Grauer, PLLC

(57) **CLAIM**

The ornamental design for a combined disc recorder and hard disc drive, as shown.

**DESCRIPTION**

FIG. 1 is a perspective view of a combined disc recorder and hard disc drive showing my new design;

FIG. 2 is a front elevational view thereof;

FIG. 3 is a rear elevational view thereof;

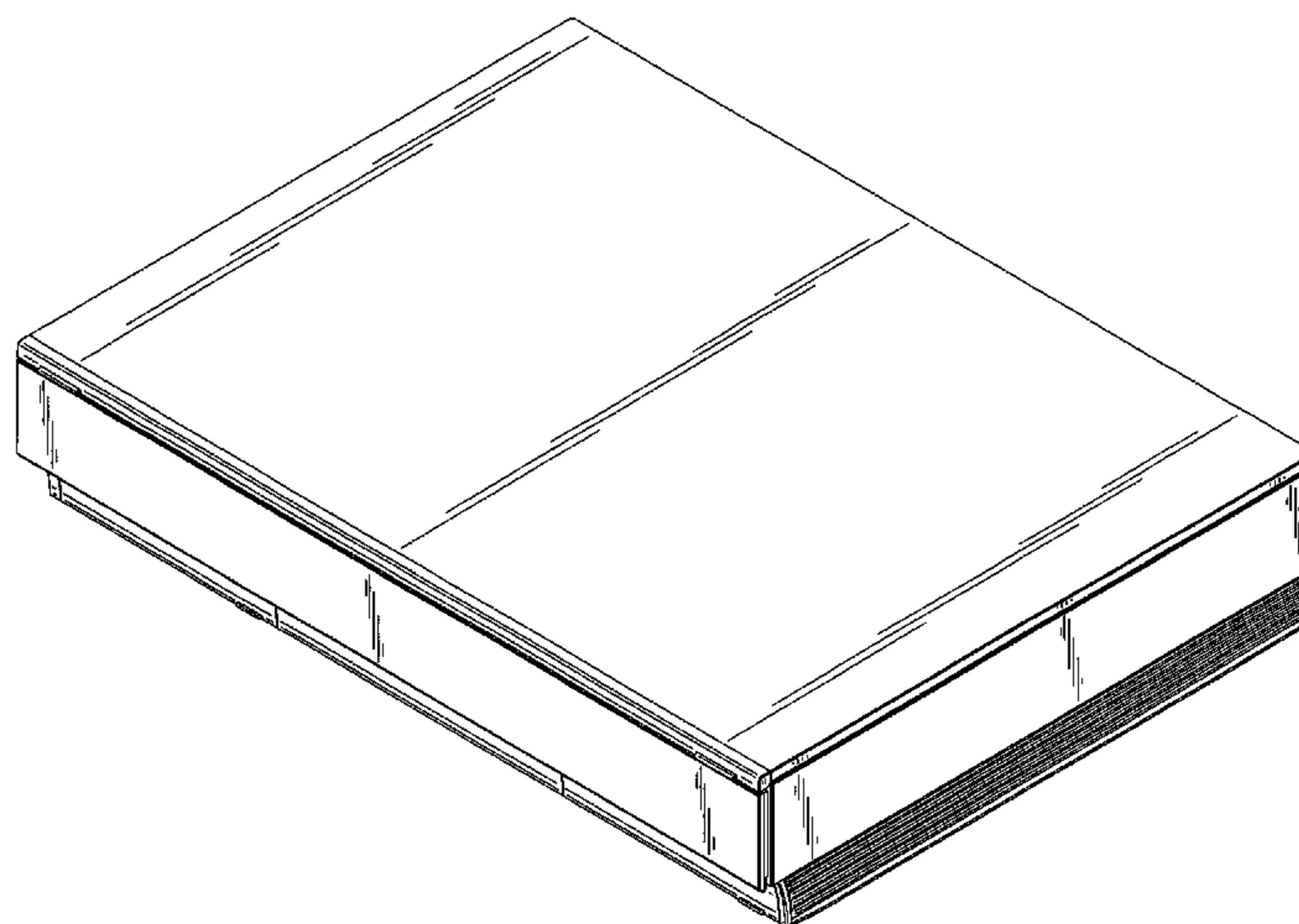
FIG. 4 is a left side elevational view thereof;

FIG. 5 is a right side elevational view thereof;

FIG. 6 is a top plan view thereof; and,

FIG. 7 is a bottom plan view thereof.

**1 Claim, 7 Drawing Sheets**



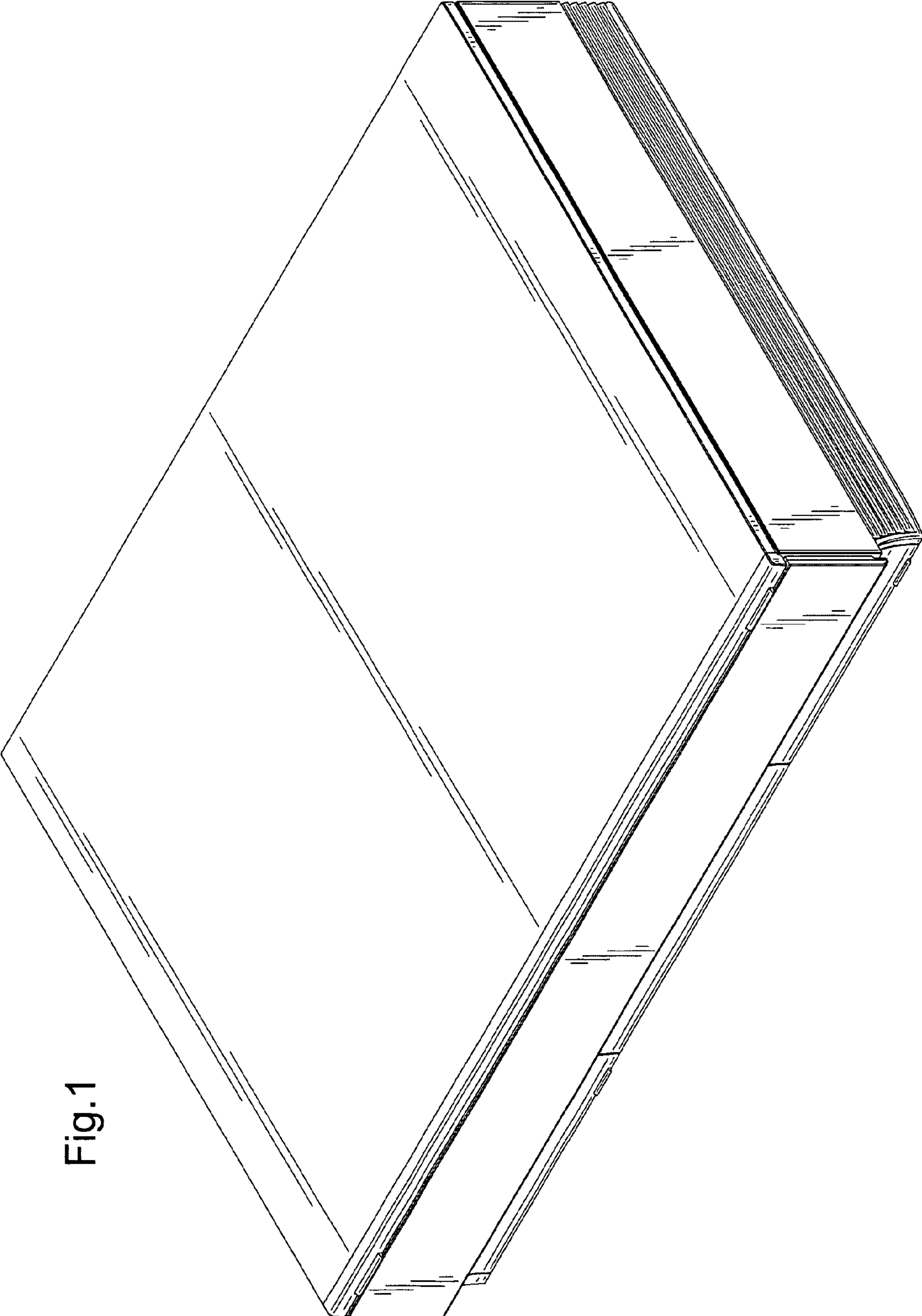


Fig.1

Fig.2

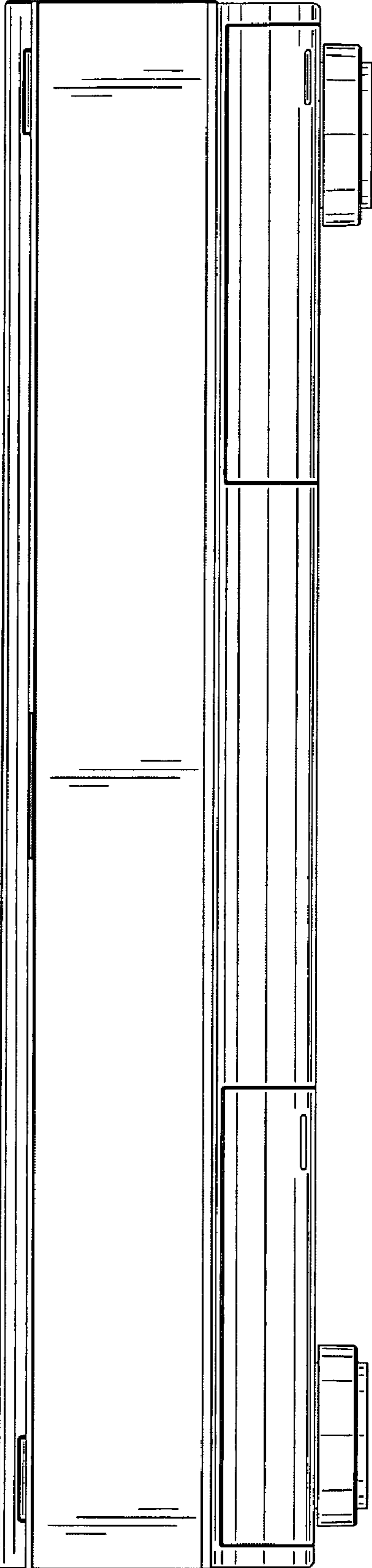


Fig.3

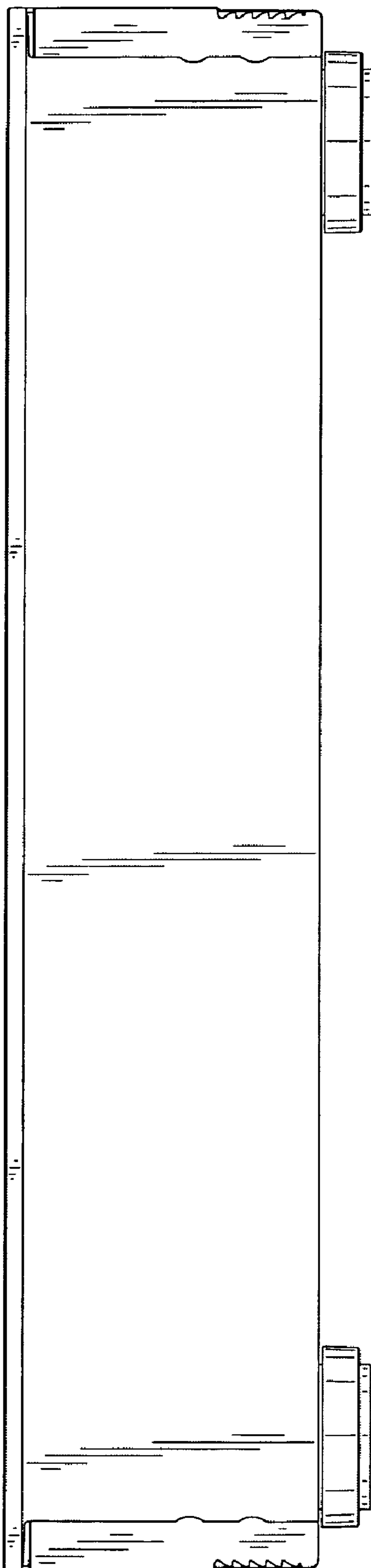


Fig. 4

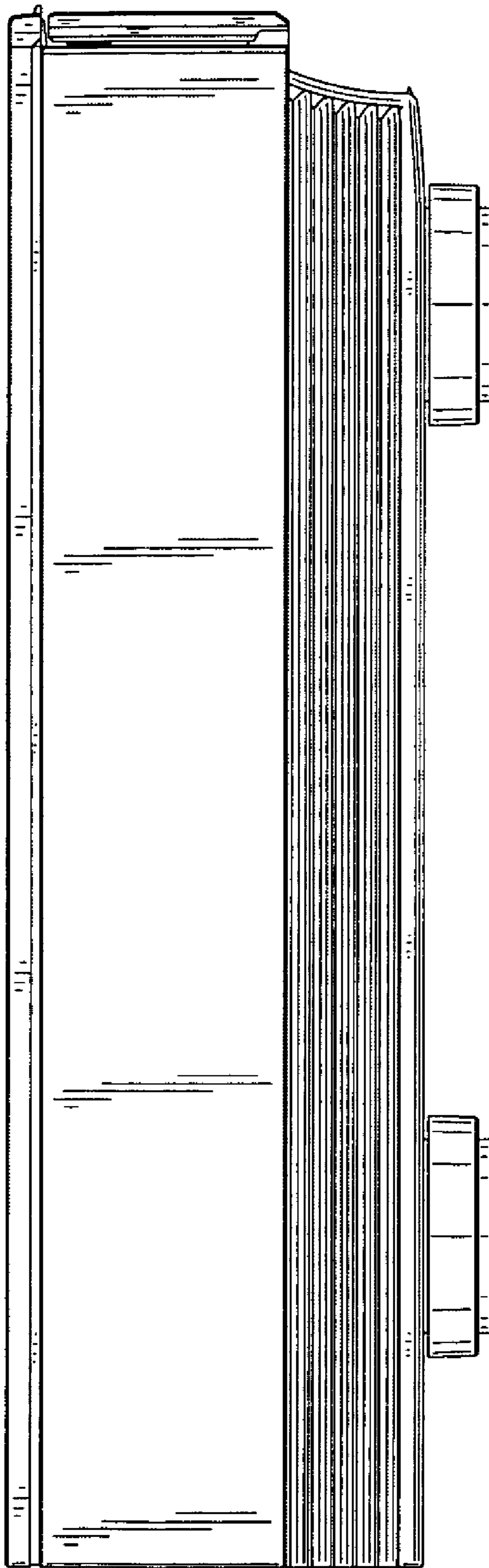
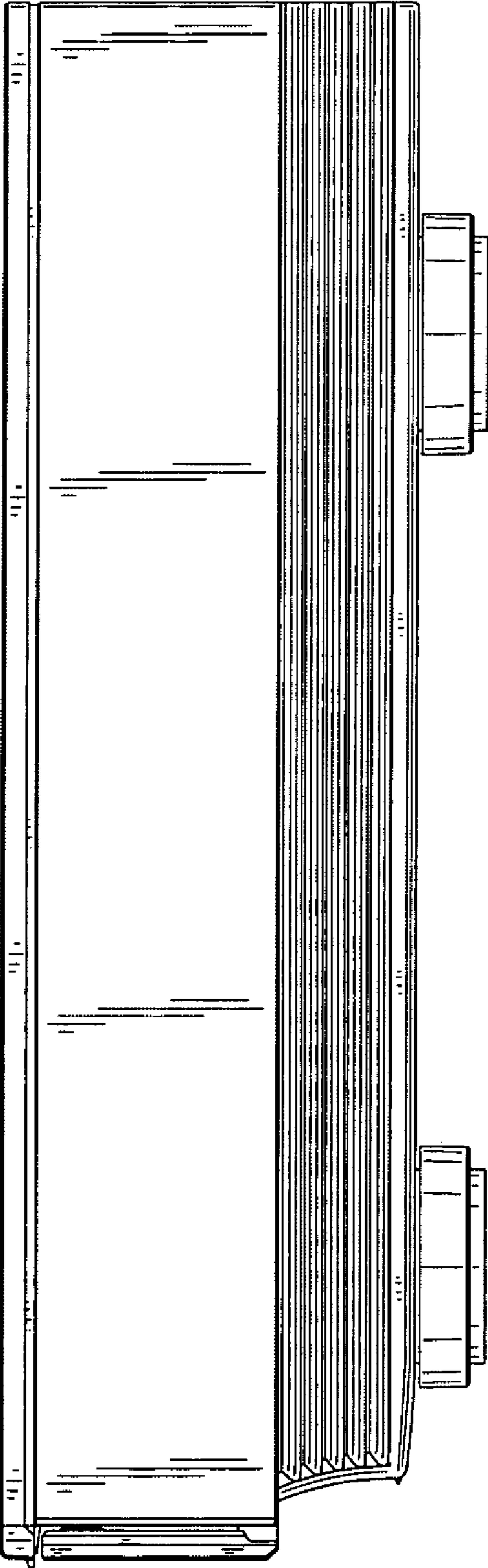


Fig. 5



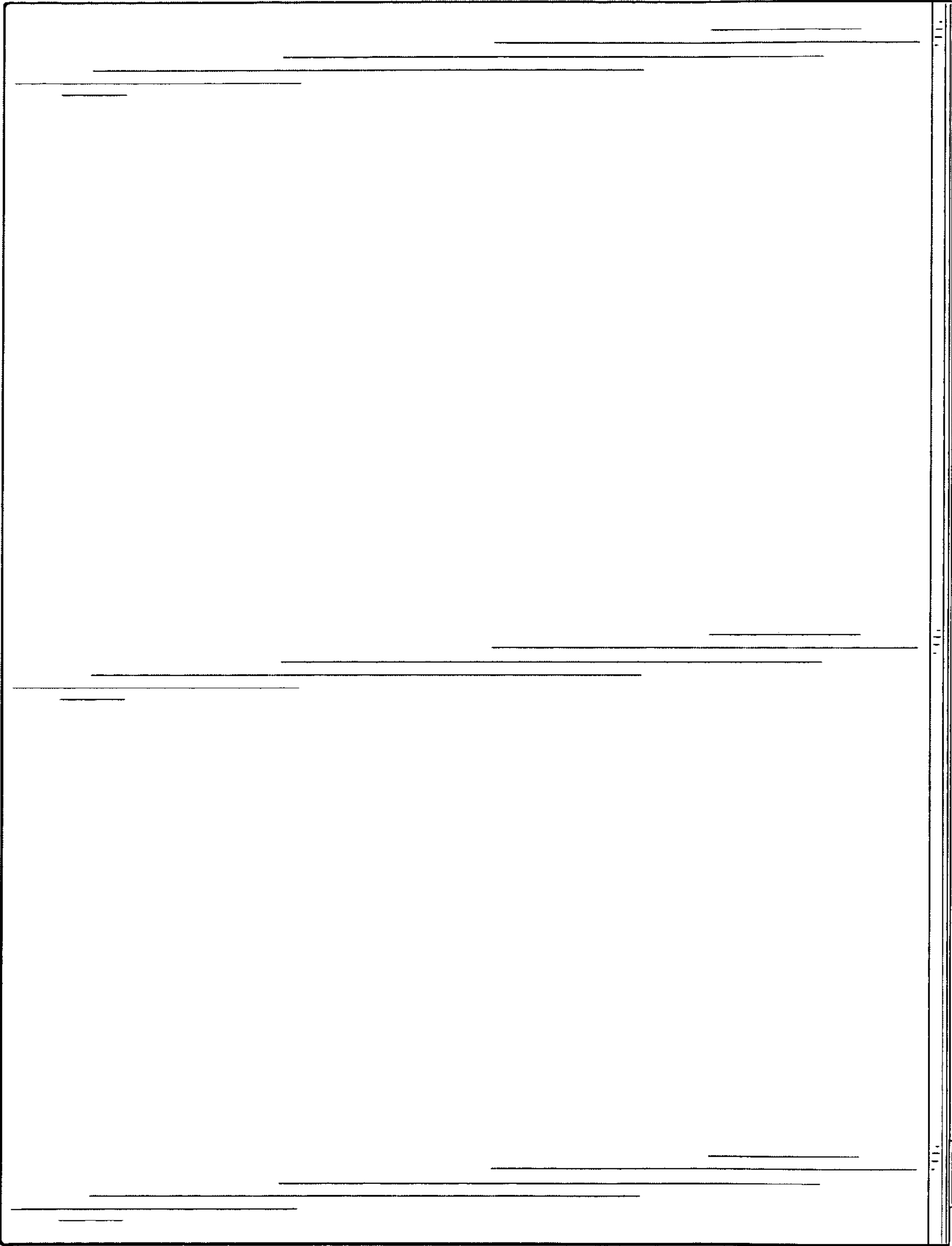


Fig.6

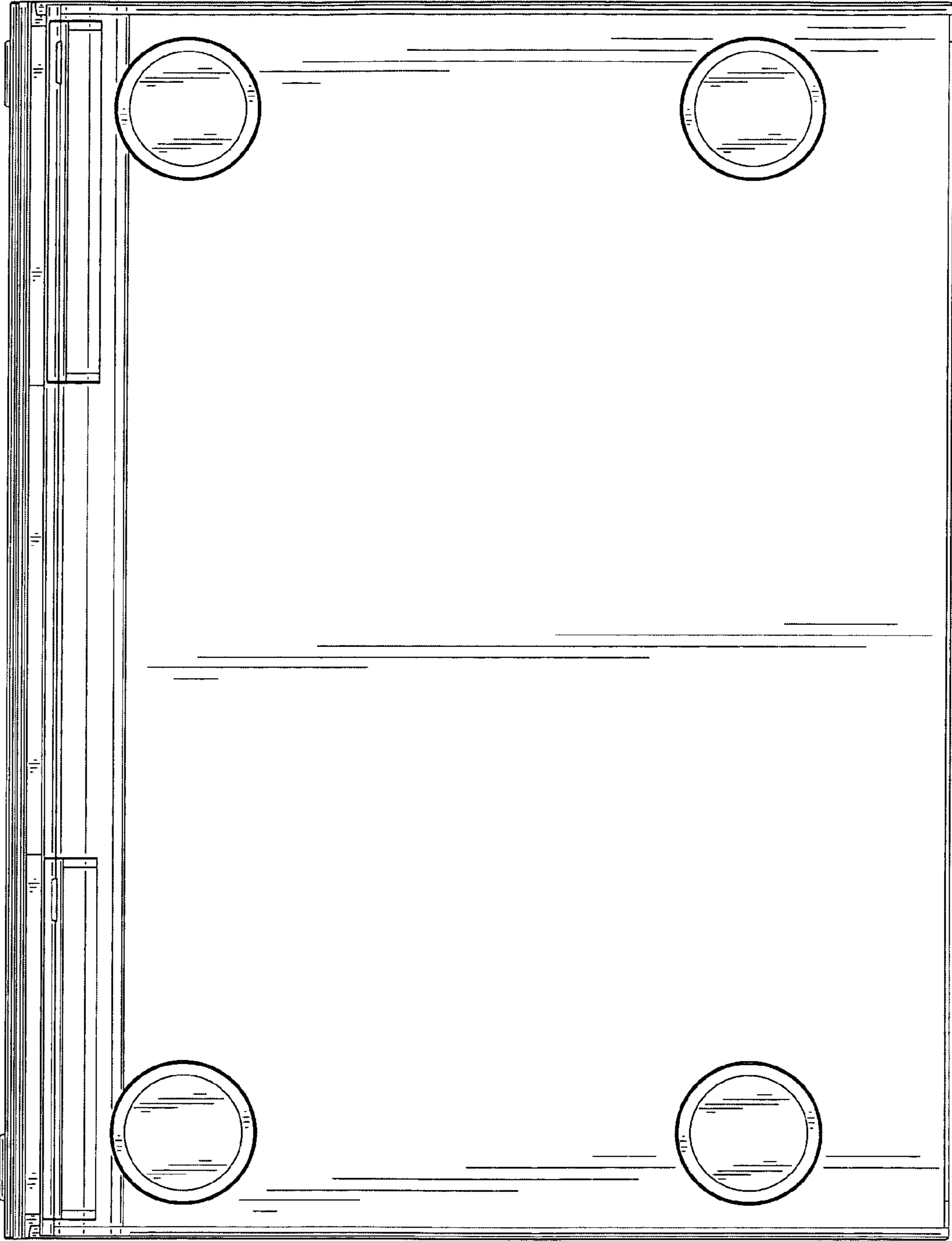


Fig.7