



US00D585857S

(12) **United States Design Patent**
Monson et al.

(10) **Patent No.:** **US D585,857 S**
(45) **Date of Patent:** **** Feb. 3, 2009**

(54) **SEAMLESS DISPLAY CONSOLE**
(75) Inventors: **Robert J. Monson**, St. Paul, MN (US);
Jianhua Yan, Woodbury, MN (US)

D436,354 S * 1/2001 Kodimer D14/306
D455,423 S * 4/2002 Cellini et al. D14/305
D469,746 S * 2/2003 Soule, Jr. D14/127
D476,325 S * 6/2003 Monson et al. D14/306
D510,920 S * 10/2005 Tandberg et al. D14/127

(73) Assignee: **Lockheed Martin Corporation**,
Bethesda, MO (US)

* cited by examiner

(**) Term: **14 Years**

Primary Examiner—Raphael Barkai

(21) Appl. No.: **29/307,714**

(74) *Attorney, Agent, or Firm*—Brooks, Cameron &
Huebsch, PLLC

(22) Filed: **May 7, 2008**

(57) **CLAIM**

(51) **LOC (9) Cl.** **14-03**

The ornamental design for a seamless display console, as
shown and described.

(52) **U.S. Cl.** **D14/127; D14/126**

(58) **Field of Classification Search** D14/125–134,
D14/239, 371, 136, 374–377, 440, 450, 448,
D14/336, 342; 312/7.2; 348/836, 838, 180,
348/184, 325, 739; 341/12; 248/917–924,
248/465; 345/104, 133, 156, 168, 87, 173;
720/605, 669, 600, 655; 369/99, 197; 455/344,
455/347; D21/329, 515, 577, 622, 333, 433,
D21/448, 452, 450, 331; D6/477, 479; 273/148 B;
446/484, 175, 356; D10/15, 26

DESCRIPTION

See application file for complete search history.

FIG. 1 is an elevated, angled perspective view of a seamless
display console of the present disclosure;
FIG. 2 is a front view of FIG. 1;
FIG. 3 is a rear view of FIG. 1;
FIG. 4 is a top view of FIG. 1;
FIG. 5 is a bottom view of FIG. 1;
FIG. 6 is a left side view of FIG. 1; and,
FIG. 7 is a right side view of FIG. 1.

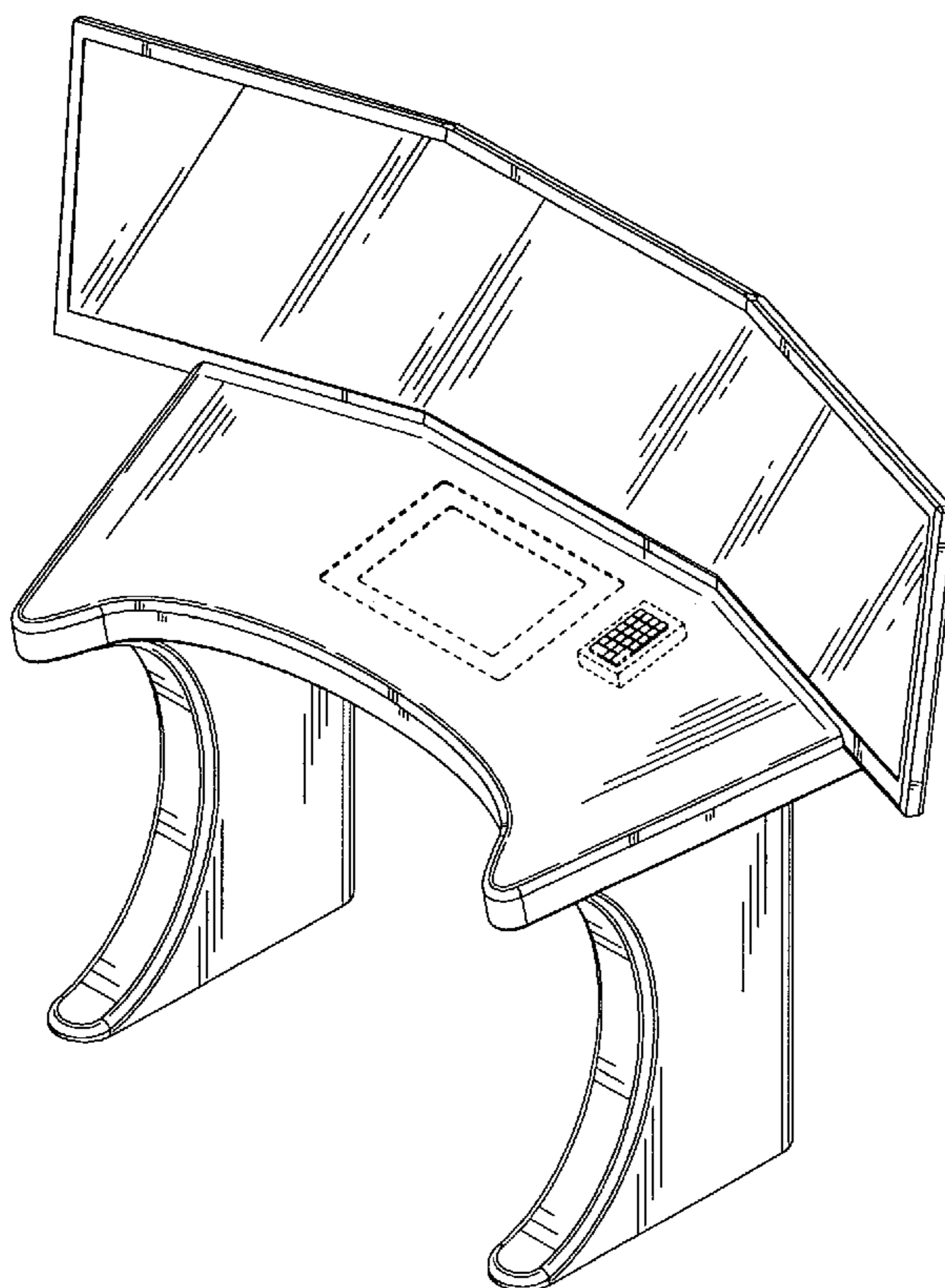
The broken lines shown in FIGS. 1, 2, 4 and 7 are for illus-
trative purposes only and form no part of the claimed design

(56) **References Cited**

U.S. PATENT DOCUMENTS

D297,236 S * 8/1988 Tiffin D14/127
D401,227 S * 11/1998 Catta D14/305

1 Claim, 7 Drawing Sheets



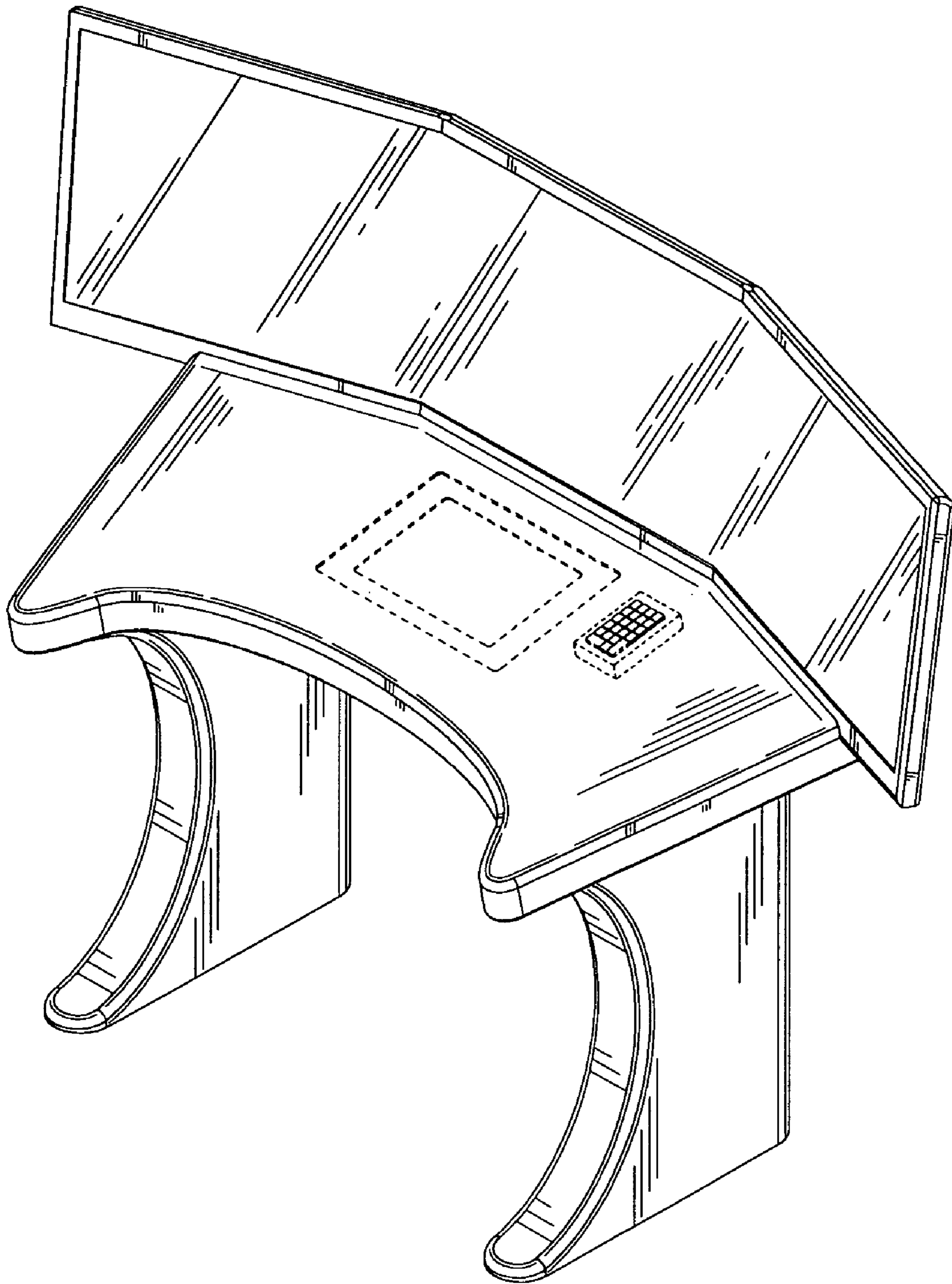


Fig. 1

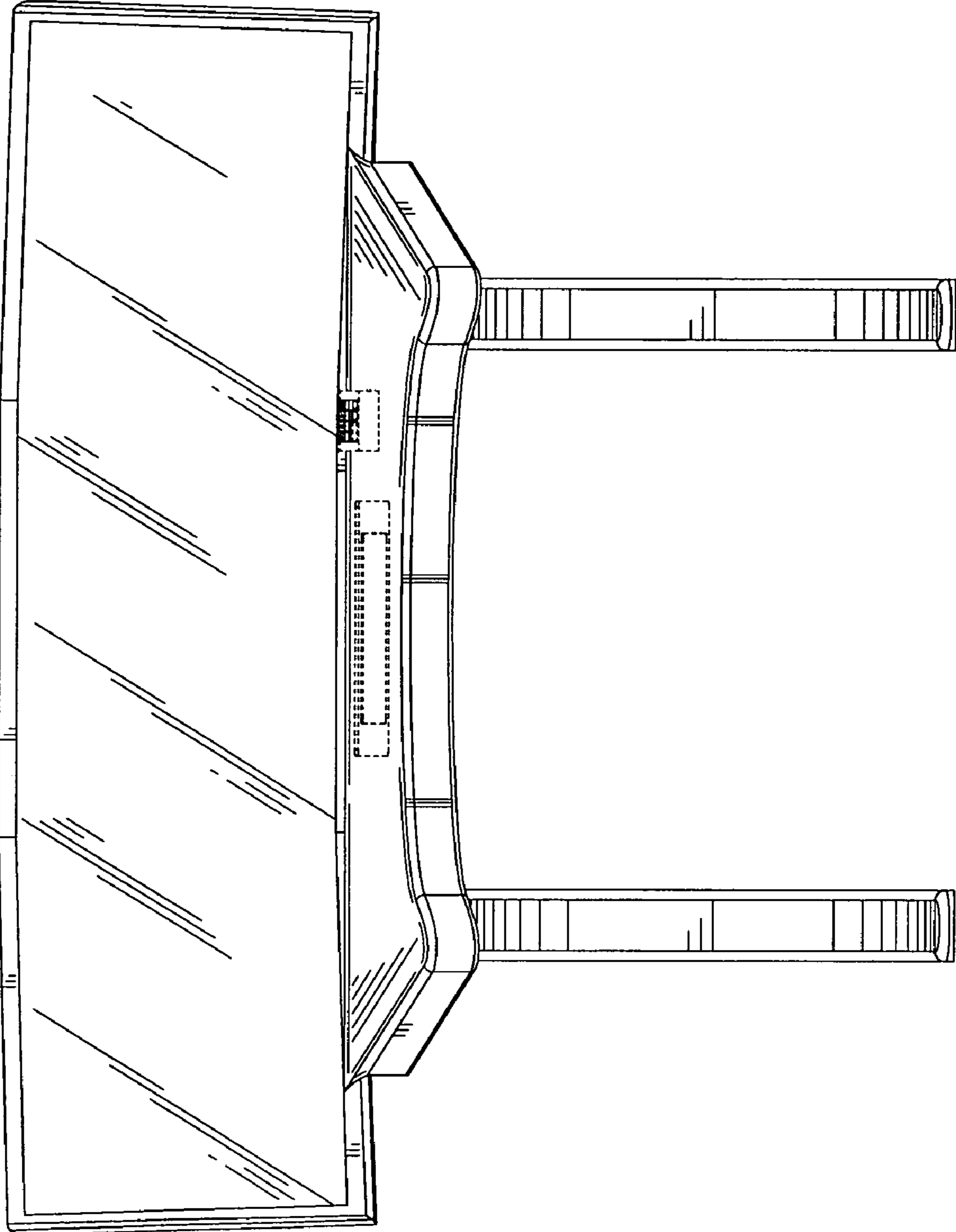


Fig. 2

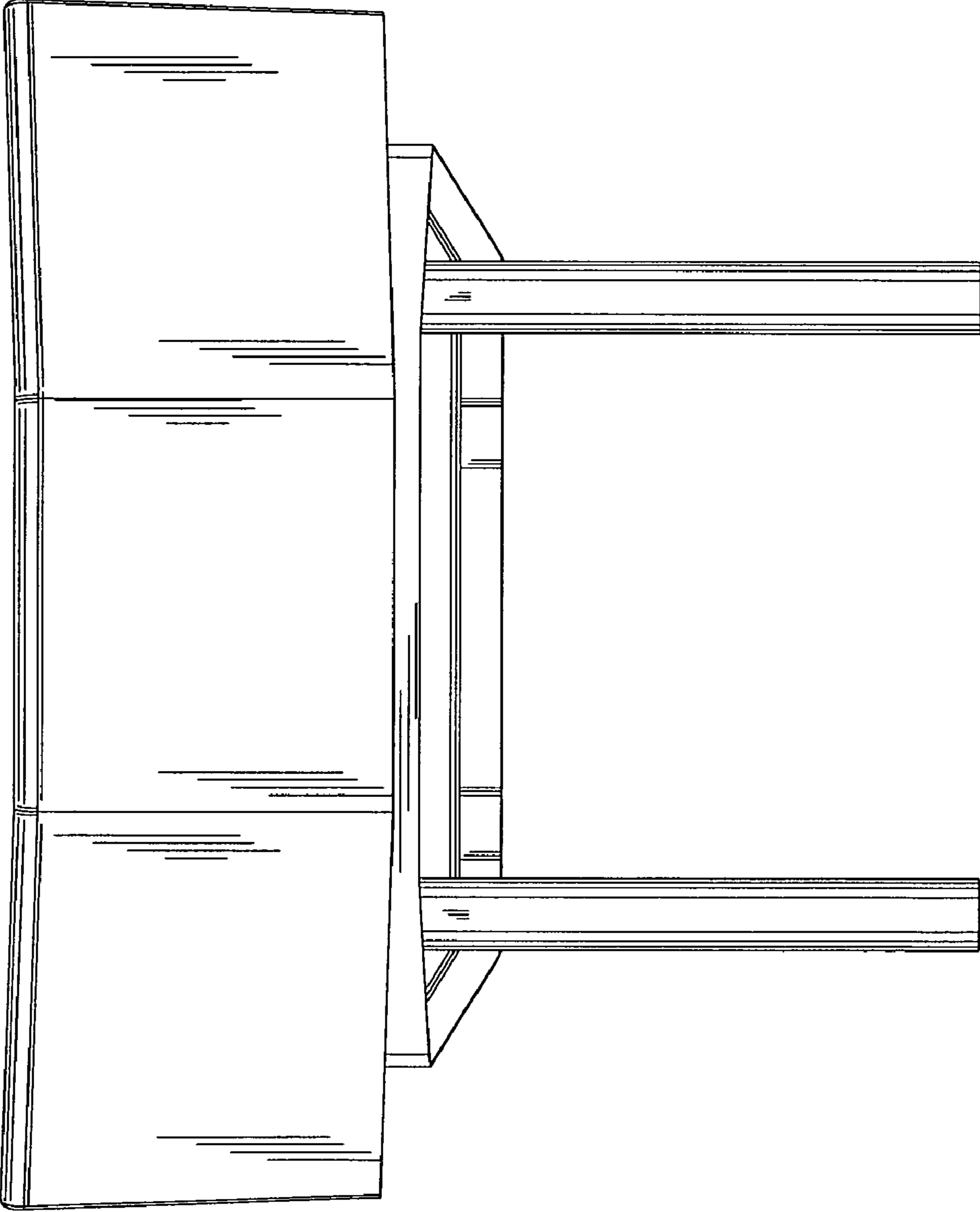


Fig. 3

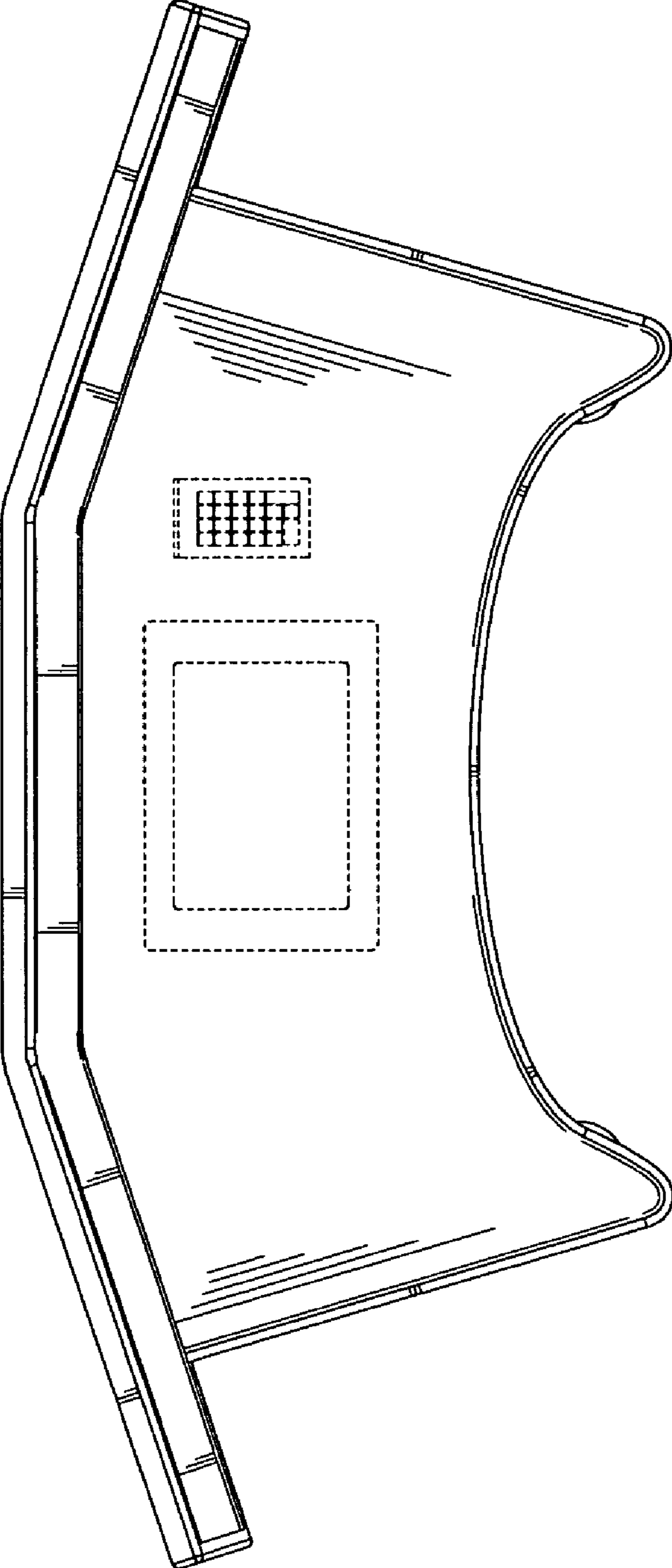


Fig. 4

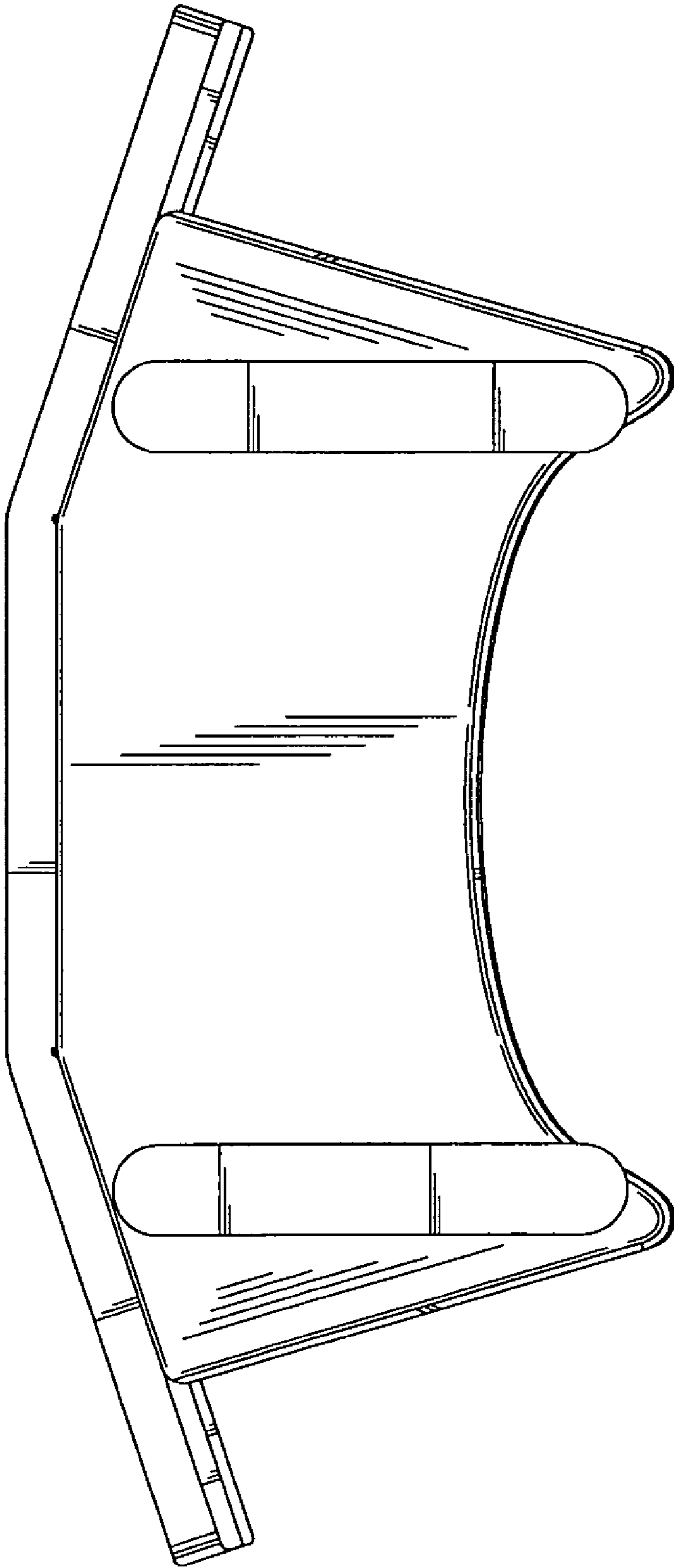


Fig. 5

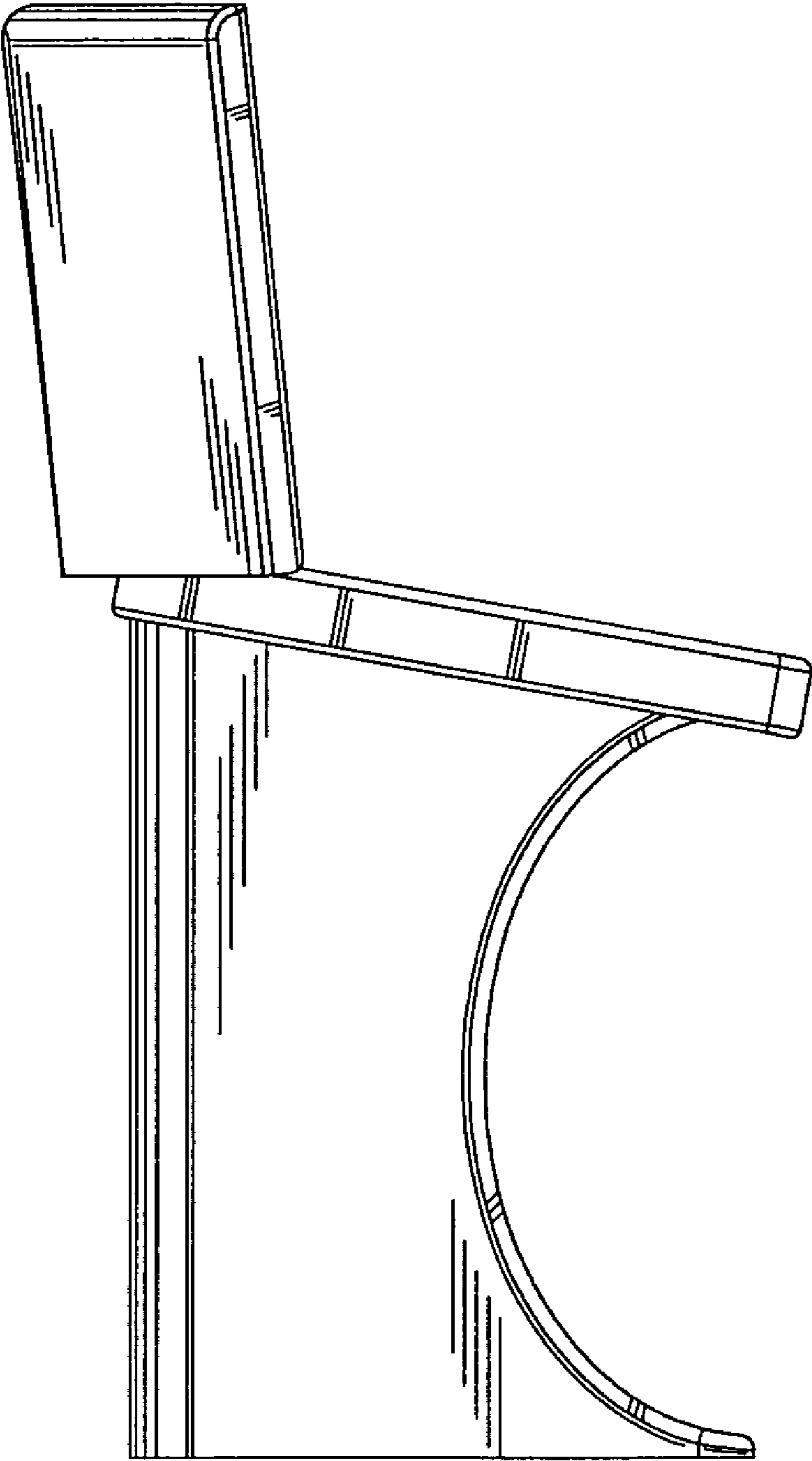


Fig. 6

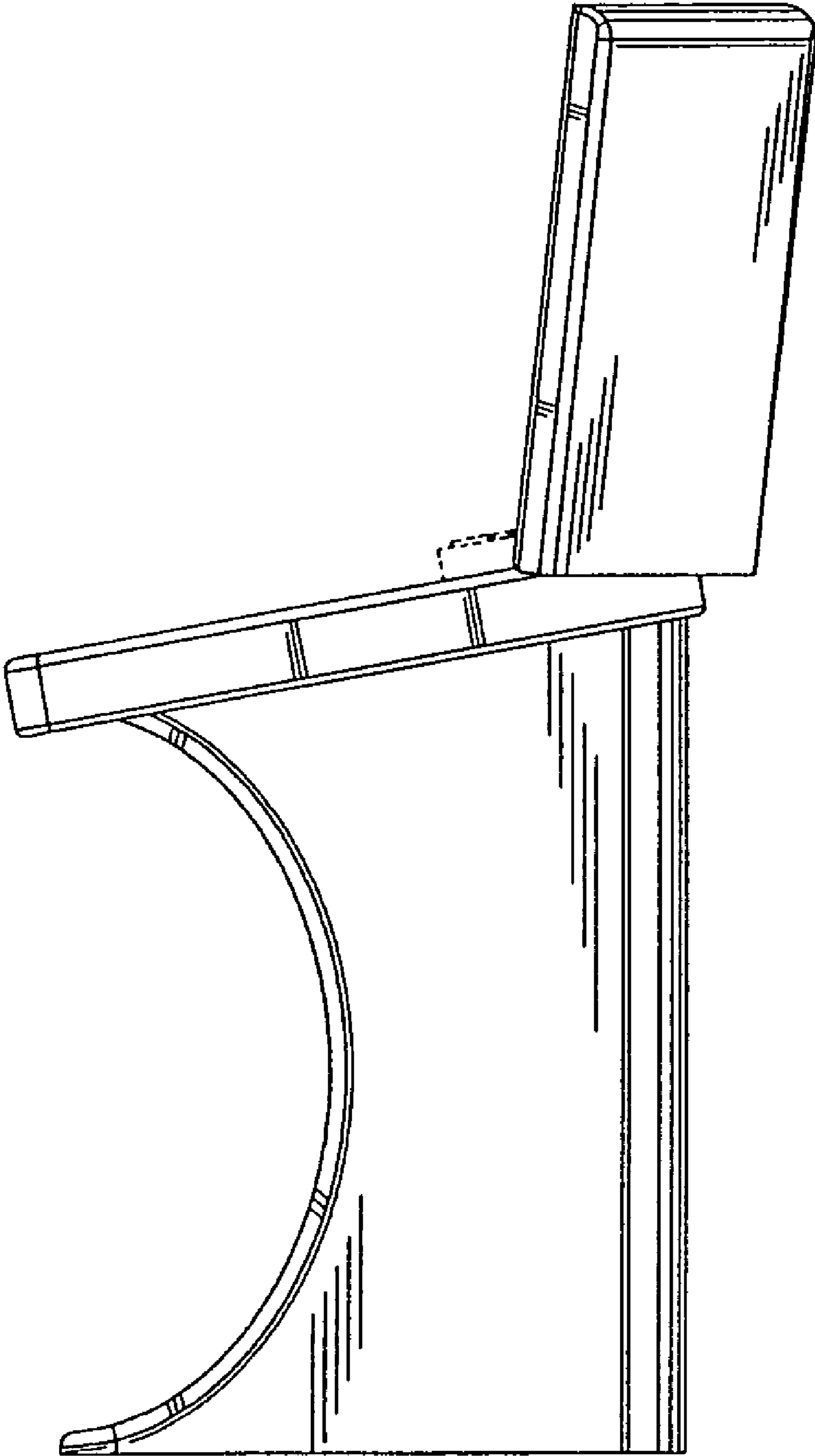


Fig. 7