



US00D585853S

(12) **United States Design Patent**
Lee et al.

(10) **Patent No.:** **US D585,853 S**
(45) **Date of Patent:** **** Feb. 3, 2009**

(54) **TELEVISION MONITOR**

(75) Inventors: **Yong Ho Lee**, Seoul (KR); **A Reum Kwon**, Seoul (KR); **Sung Gu Joe**, Seoul (KR)

(73) Assignee: **LG Electronics Inc.**, Seoul (KR)

(**) Term: **14 Years**

(21) Appl. No.: **29/270,349**

(22) Filed: **Dec. 21, 2006**

(30) **Foreign Application Priority Data**

Jun. 23, 2006 (KR) 30-2006-0026839

(51) **LOC (9) Cl.** **14-03**

(52) **U.S. Cl.** **D14/126**

(58) **Field of Classification Search** D14/125-134, D14/239, 371, 136, 374-377; 312/7.2; 348/836, 348/838, 180, 184, 325, 739; 341/12; 248/917-924, 248/465, 123.11; 345/104, 133, 156, 168, 345/87, 173, 169; 349/1, 2, 11, 62; 720/605, 720/669, 600, 655, 99, 197; 455/344-347
See application file for complete search history.

(56) **References Cited**

U.S. PATENT DOCUMENTS

D476,632 S * 7/2003 Inoue et al. D14/126
D497,146 S * 10/2004 Asanuma et al. D14/126
D497,352 S * 10/2004 Asanuma et al. D14/126

D504,669 S * 5/2005 Fujiki D14/126
D510,567 S * 10/2005 Honda D14/126
D535,954 S * 1/2007 Hwang et al. D14/126
D537,421 S * 2/2007 Hwang et al. D14/126
D543,516 S * 5/2007 Han et al. D14/126
D554,085 S * 10/2007 Kita D14/126

* cited by examiner

Primary Examiner—Raphael Barkai

Assistant Examiner—Randall H Gholson

(74) *Attorney, Agent, or Firm*—Birch, Stewart, Kolasch & Birch, LLP

(57) **CLAIM**

The ornamental design for a television monitor, as shown and described.

DESCRIPTION

FIG. 1 is a perspective view of a television monitor our new design;

FIG. 2 is a front view thereof;

FIG. 3 is a rear view thereof;

FIG. 4 is a left side view thereof;

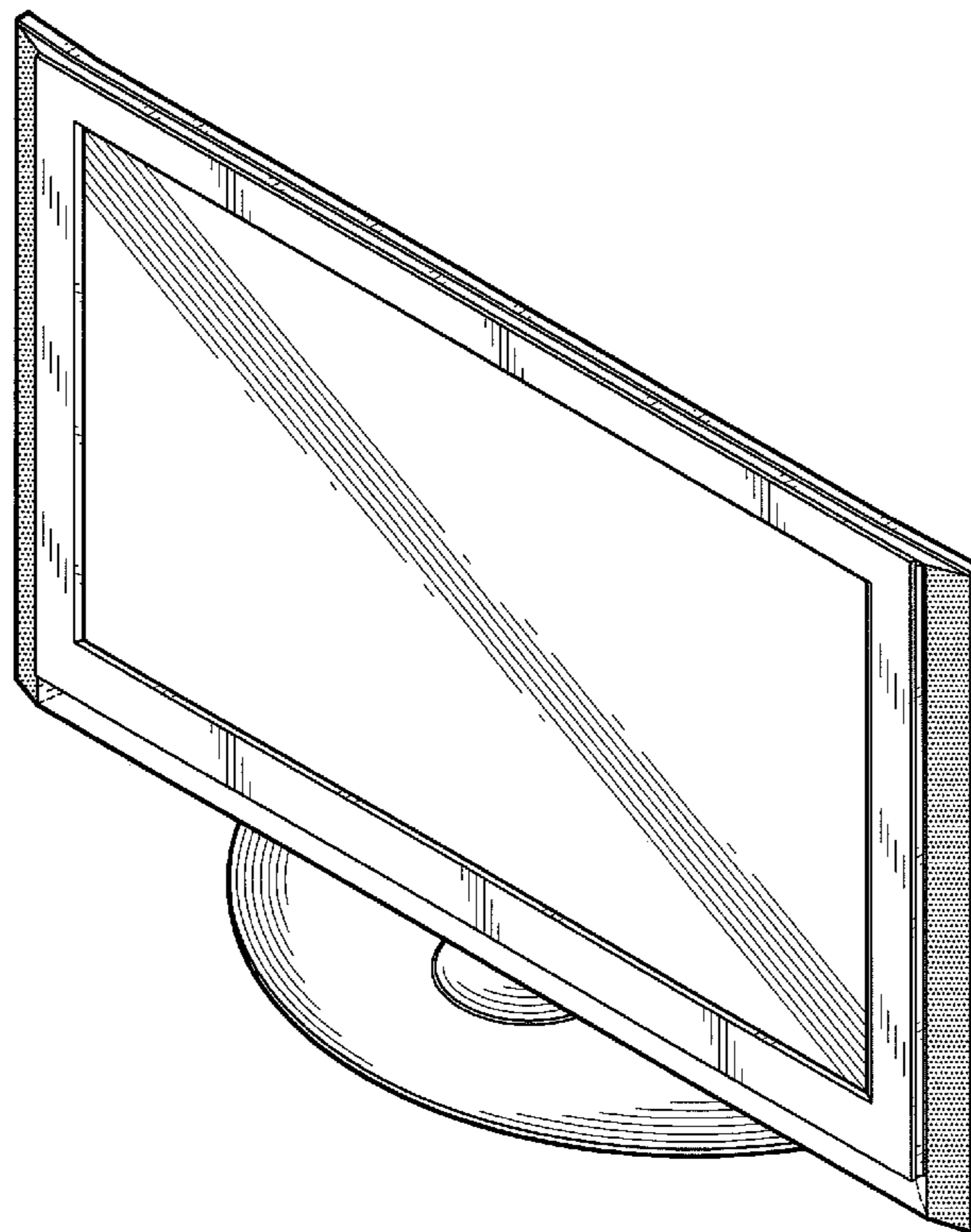
FIG. 5 is a right side view thereof;

FIG. 6 is a top plan view thereof; and,

FIG. 7 is a bottom plan view thereof.

The broken line structure forms no part of the claimed design.

1 Claim, 4 Drawing Sheets



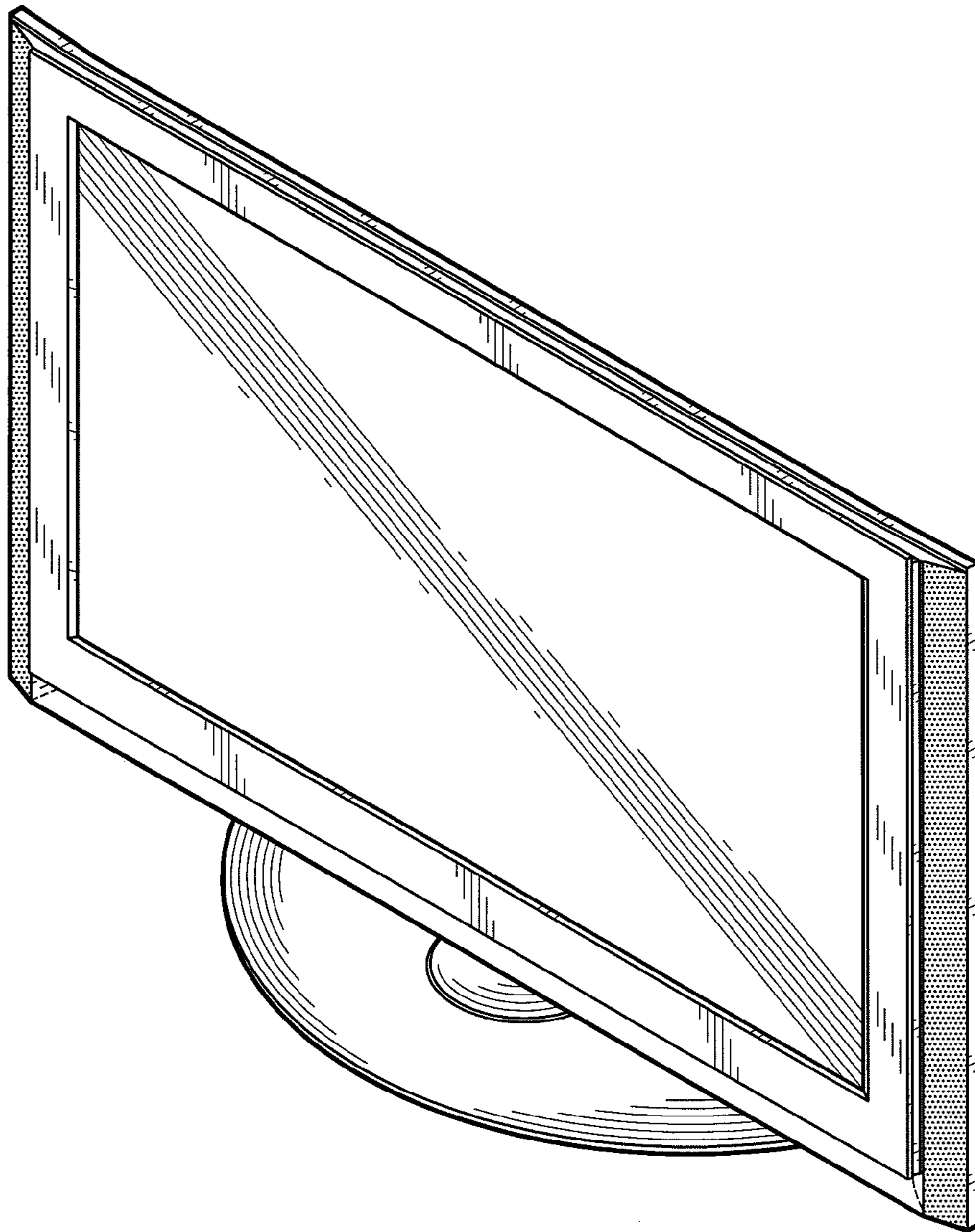


FIG.1

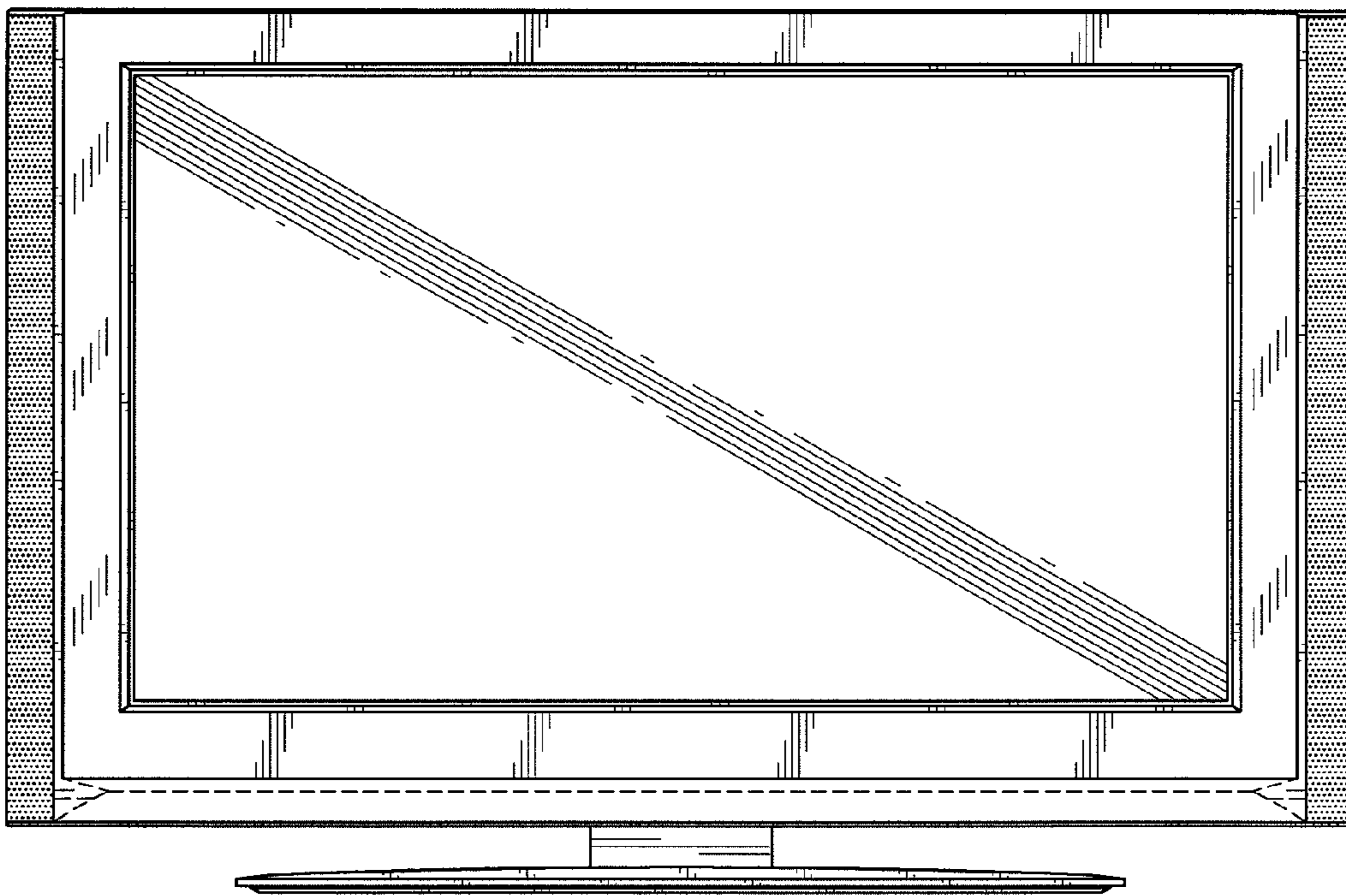


FIG. 2

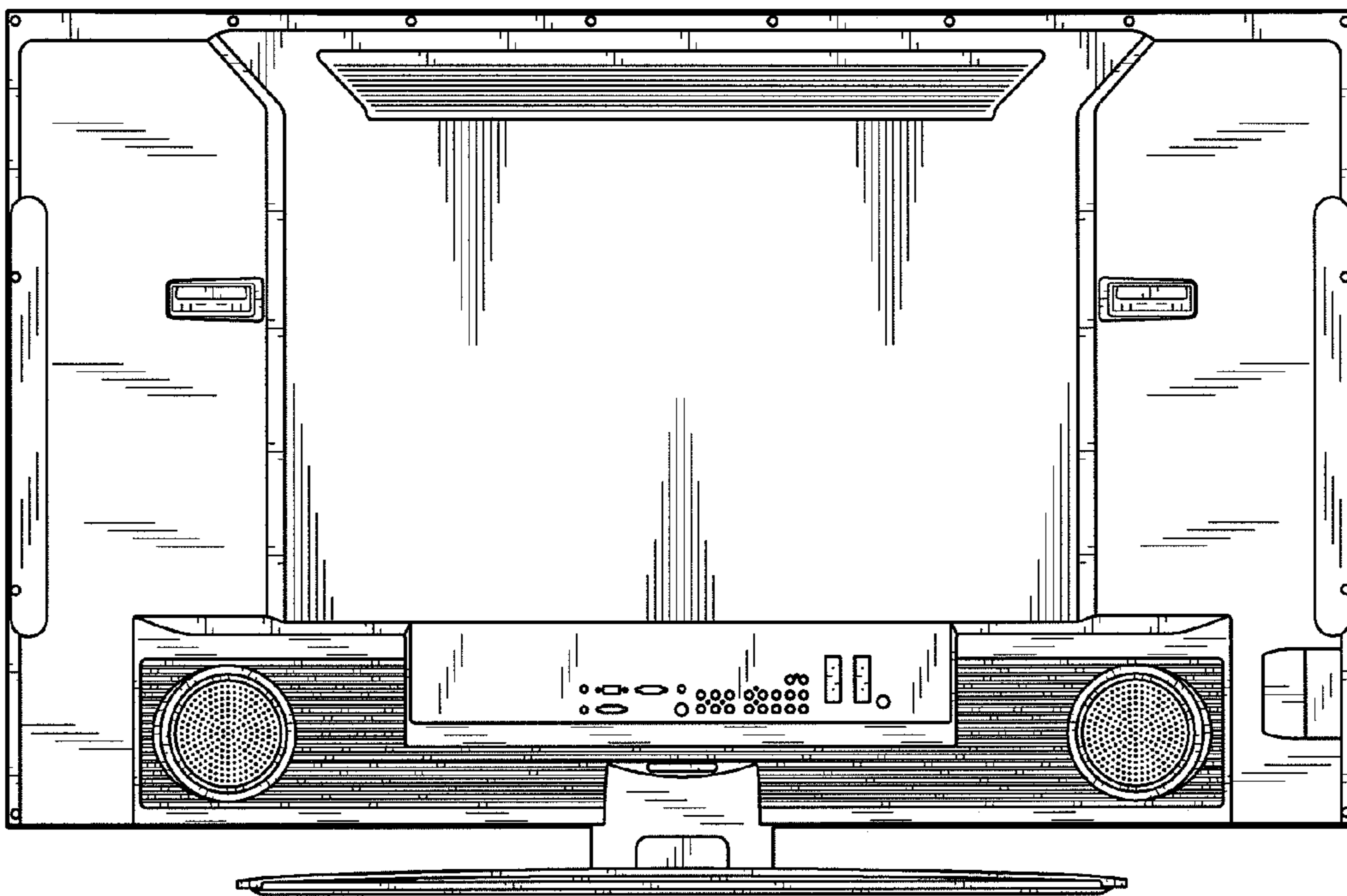


FIG. 3

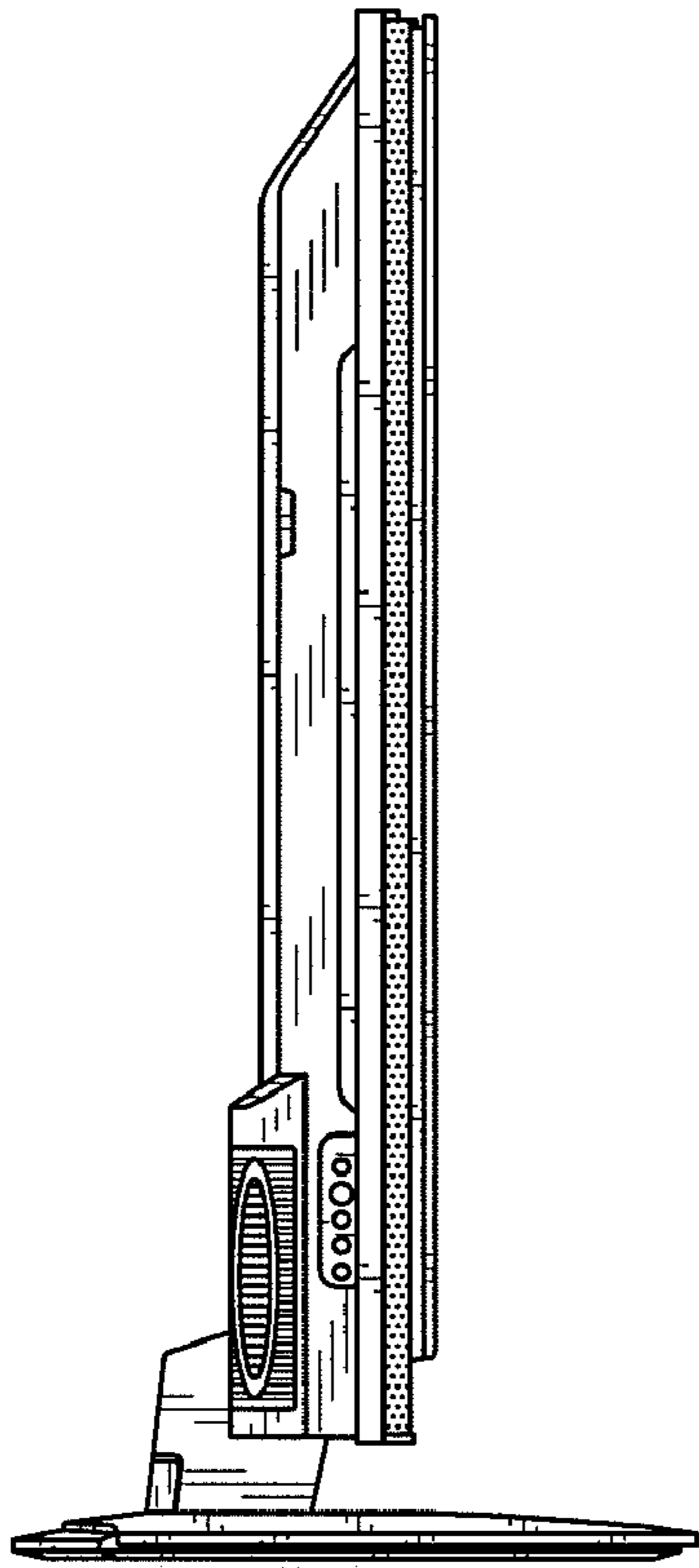


FIG. 4

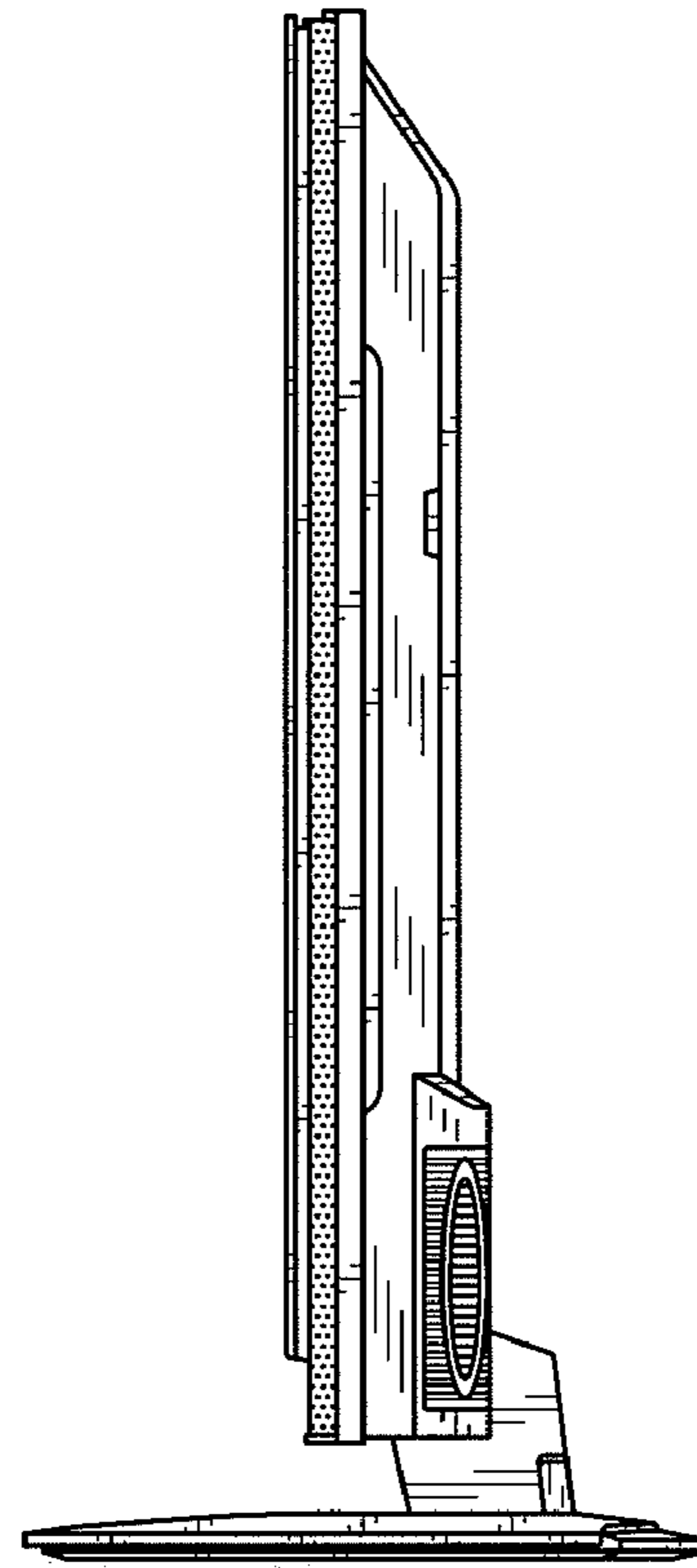


FIG. 5

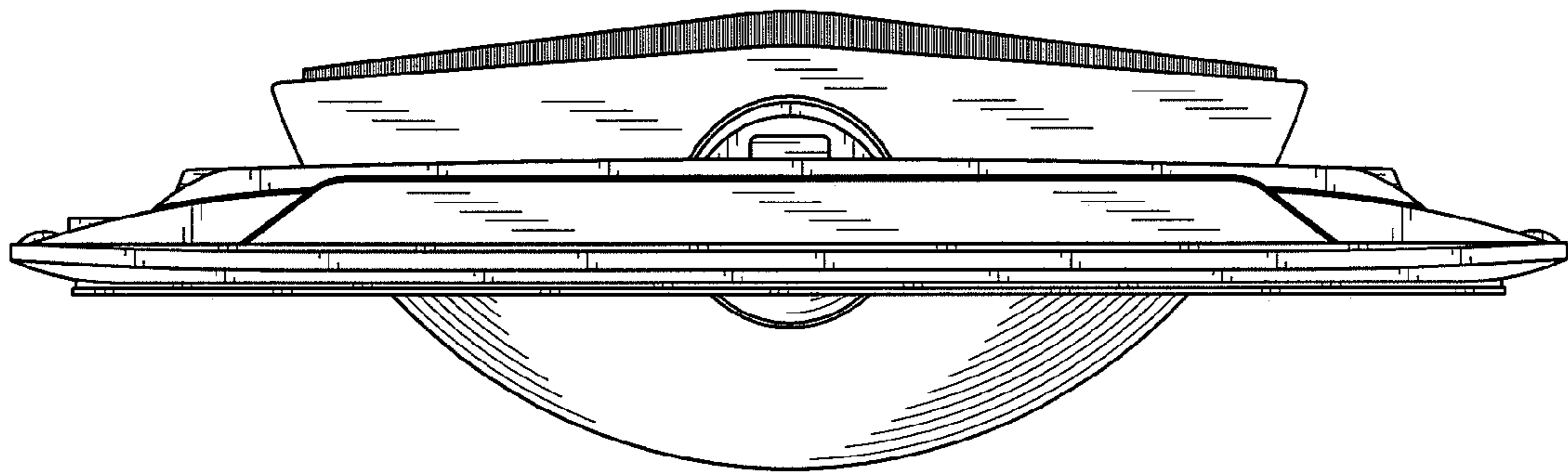


FIG. 6

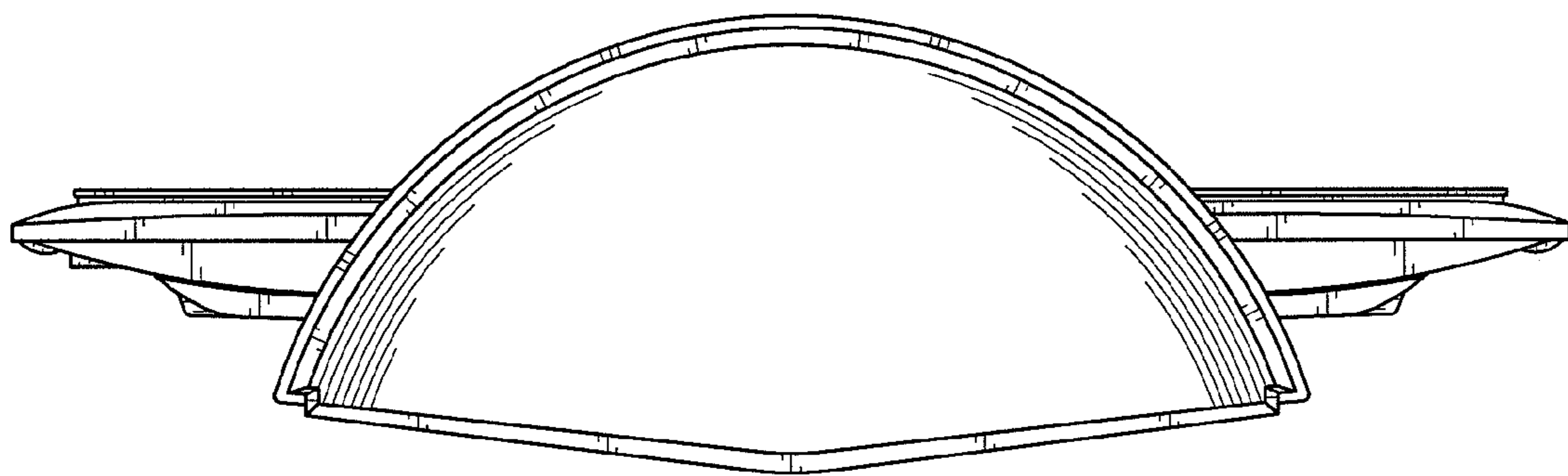


FIG. 7