



US00D585852S

(12) **United States Design Patent**
Chen

(10) **Patent No.:** **US D585,852 S**
(45) **Date of Patent:** **** Feb. 3, 2009**

- (54) **CASING FOR A POWER SUPPLY**
- (75) Inventor: **Chih-Ming Chen**, Pingtung (TW)
- (73) Assignee: **Sinpro Electronics Co., Ltd.**, Pingtung (TW)
- (**) Term: **14 Years**
- (21) Appl. No.: **29/287,612**
- (22) Filed: **Aug. 29, 2007**

- D424,528 S * 5/2000 Dernehl D13/184
- D483,329 S * 12/2003 Kuo D13/110
- D485,810 S * 1/2004 Fiocchi D13/184
- D494,940 S * 8/2004 Fiocchi D13/184
- D537,410 S * 2/2007 Yuen D13/110
- D575,228 S * 8/2008 So D13/110

* cited by examiner

Primary Examiner—Robert M Spear
Assistant Examiner—Ania K Dworzecka
(74) *Attorney, Agent, or Firm*—Muncy, Geissler, Olds & Lowe, PLLC

- (51) **LOC (9) Cl.** **13-02**
- (52) **U.S. Cl.** **D13/184**
- (58) **Field of Classification Search** D13/184, D13/110, 152, 177, 103, 107, 112, 122, 124, D13/199; D10/80, 103, 104; D14/100, 102, D14/308, 314, 347, 348, 349, 353, 354, 355, D14/357, 358, 433, 440, 441, 188, 265, 299; 174/50, 35 R, 52.1; 220/3.8, 4.02; 361/600; D3/273

See application file for complete search history.

(56) **References Cited**

U.S. PATENT DOCUMENTS

- D287,848 S * 1/1987 Keely et al. D13/110
- D311,911 S * 11/1990 Ueno et al. D14/242
- D316,853 S * 5/1991 Dickey D14/356
- D375,483 S * 11/1996 Tashiro D13/110

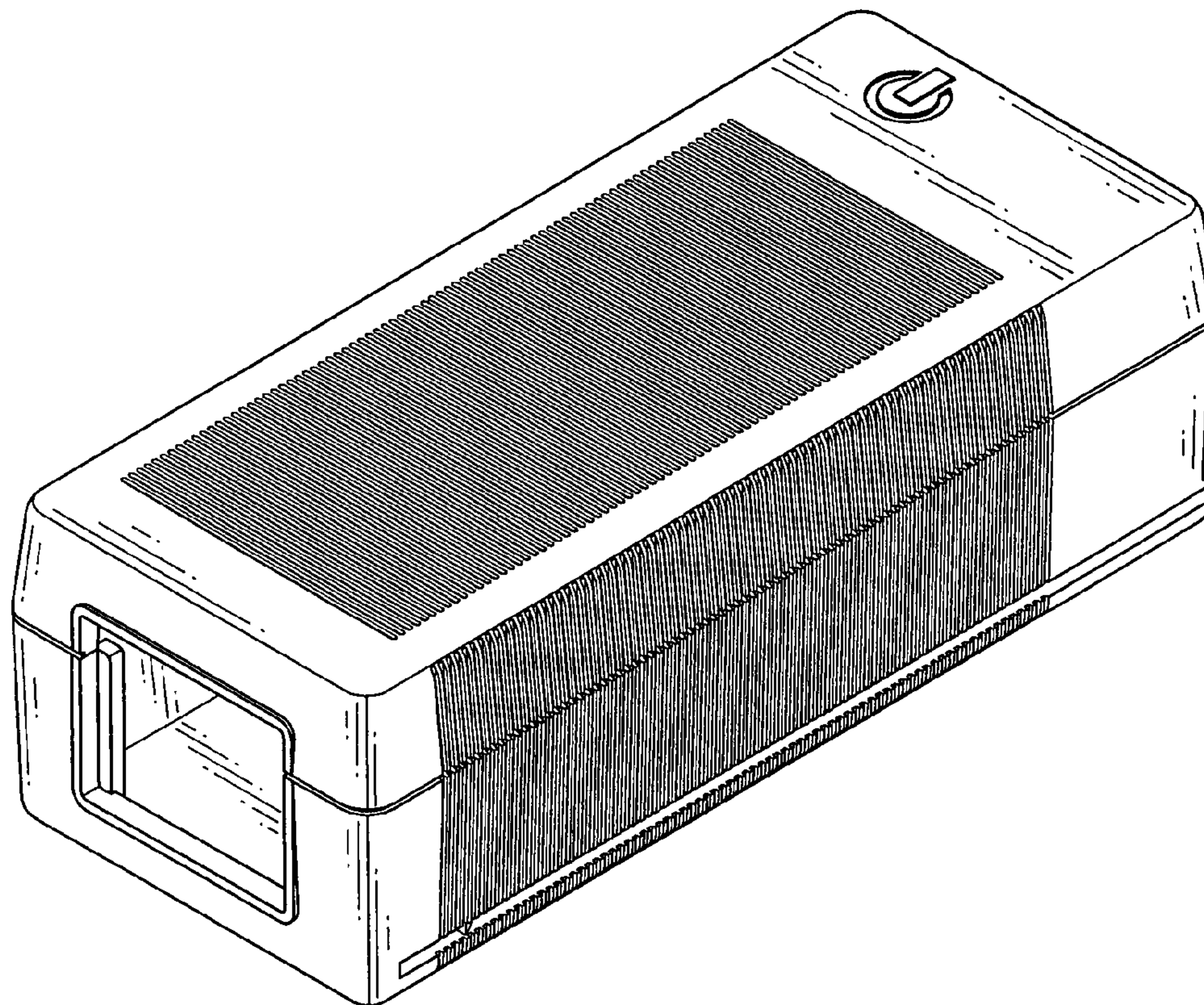
(57) **CLAIM**

The ornamental design for a casing for a power supply, as shown.

DESCRIPTION

- FIG. 1 is a perspective view of a casing for a power supply showing my new design;
- FIG. 2 is a front view thereof;
- FIG. 3 is a rear view thereof;
- FIG. 4 is a left view thereof;
- FIG. 5 is a right view thereof;
- FIG. 6 is top view thereof; and,
- FIG. 7 is a bottom view thereof.

1 Claim, 4 Drawing Sheets



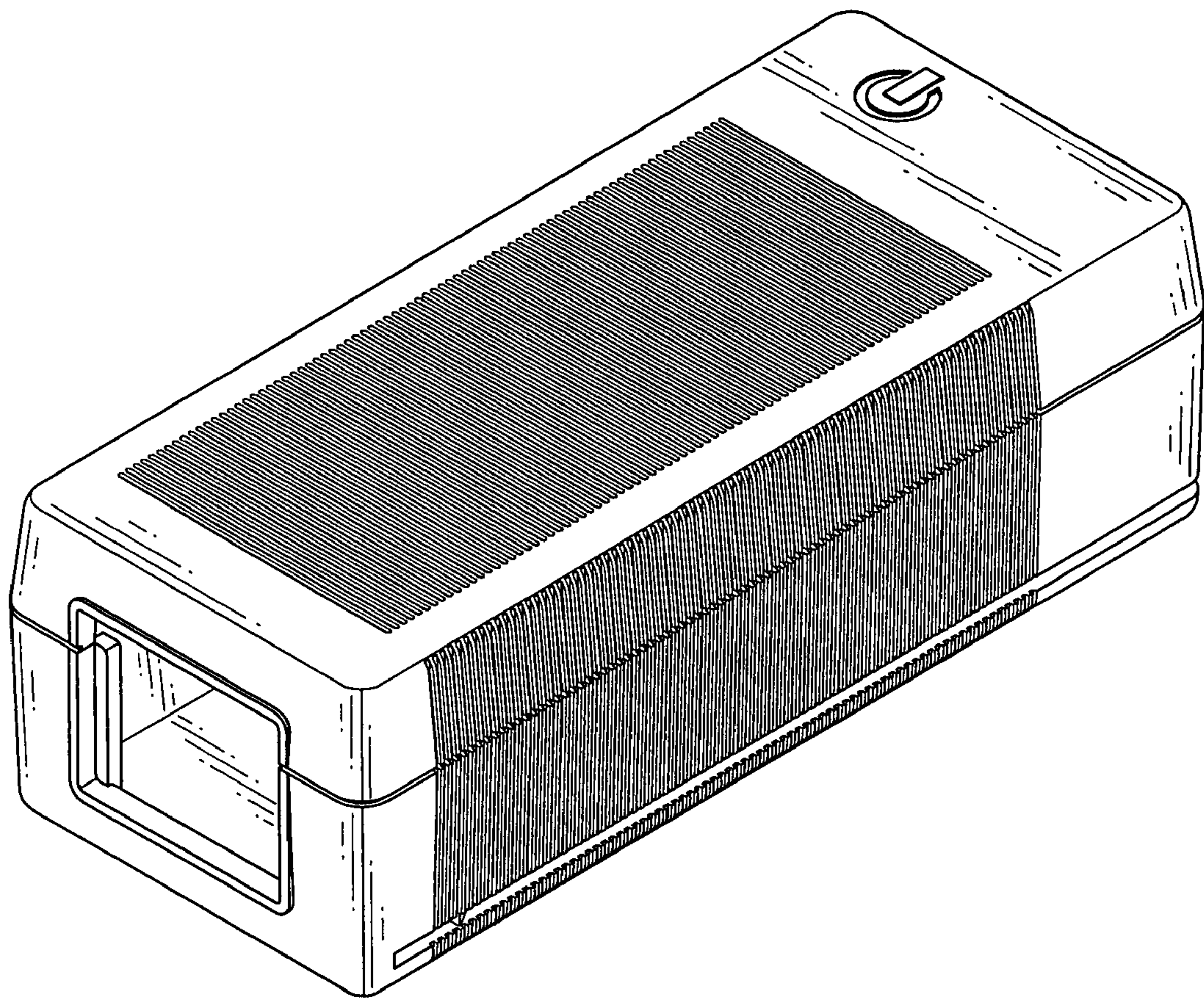


FIG.1

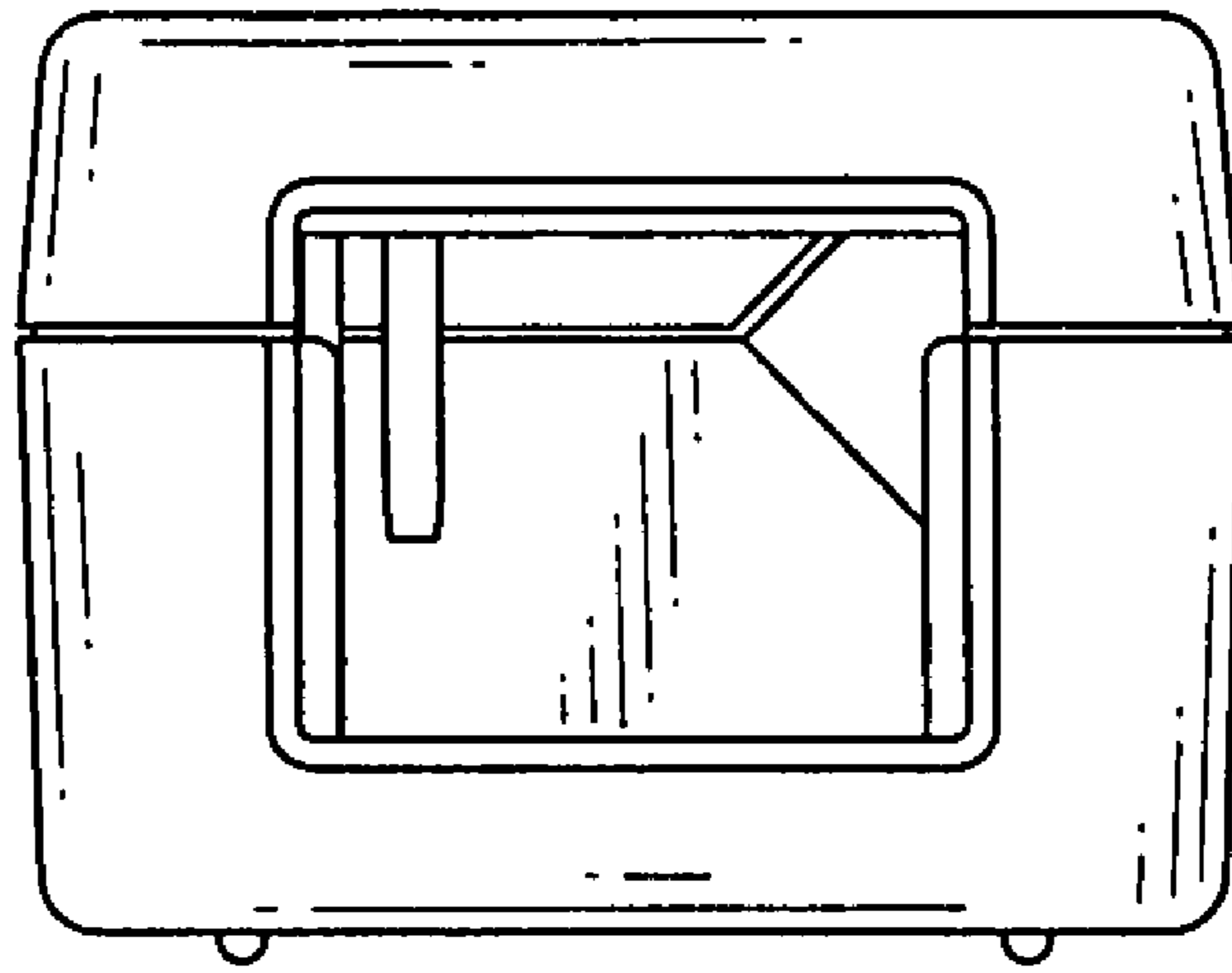


FIG. 2

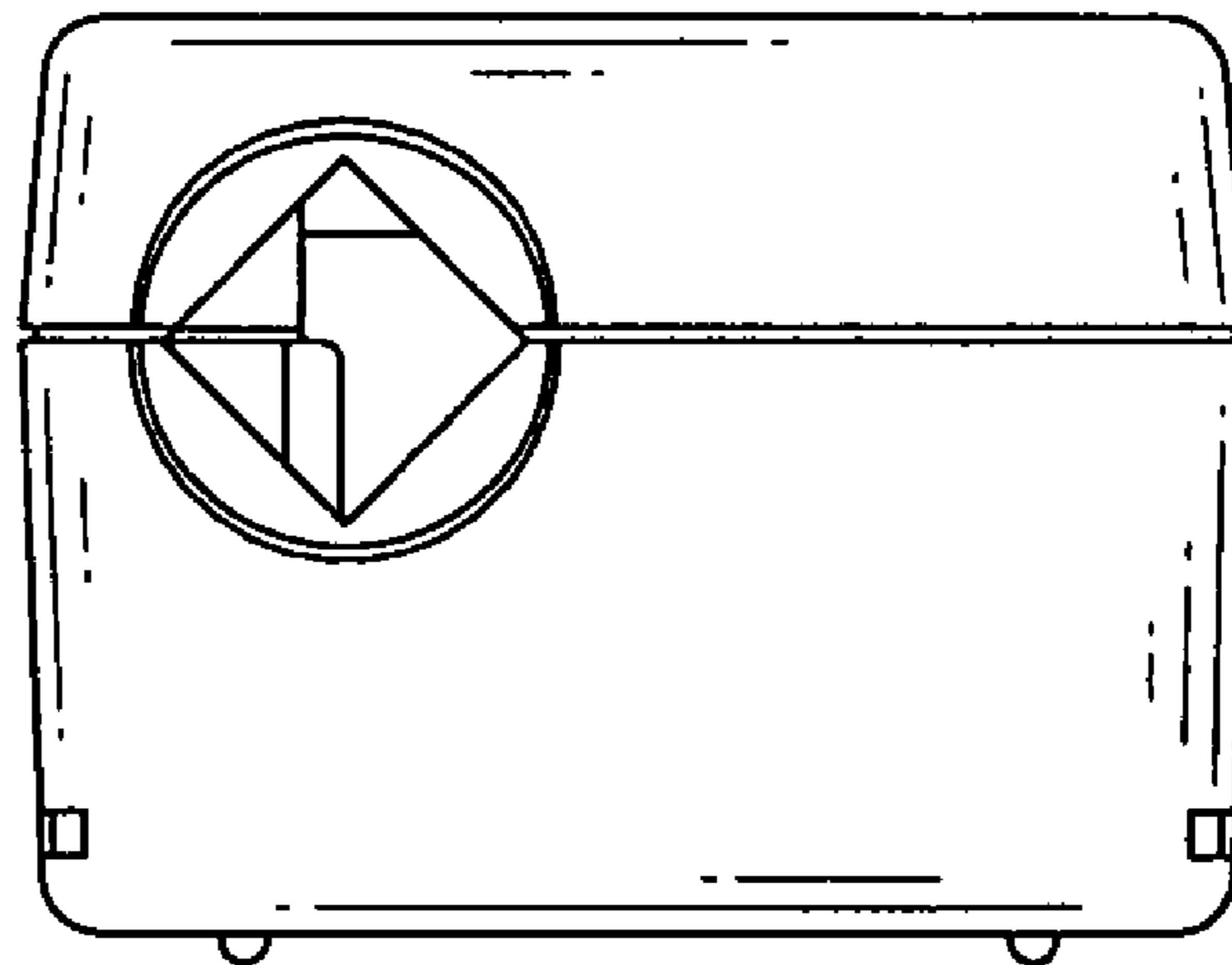


FIG. 3

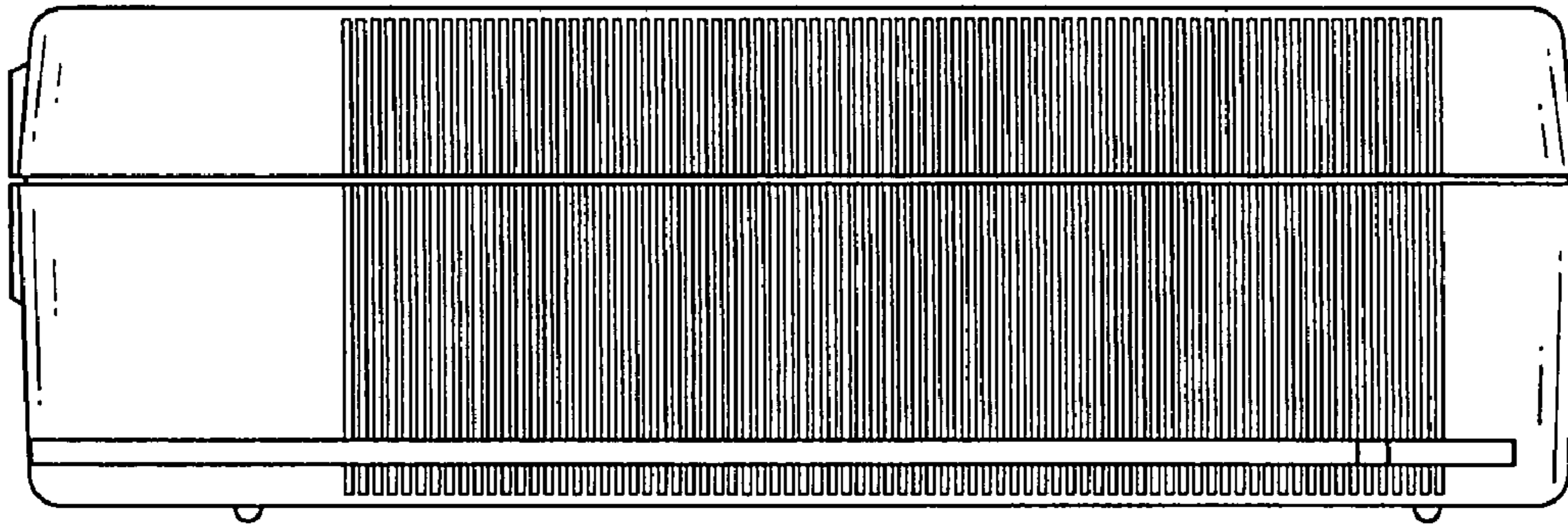


FIG.4

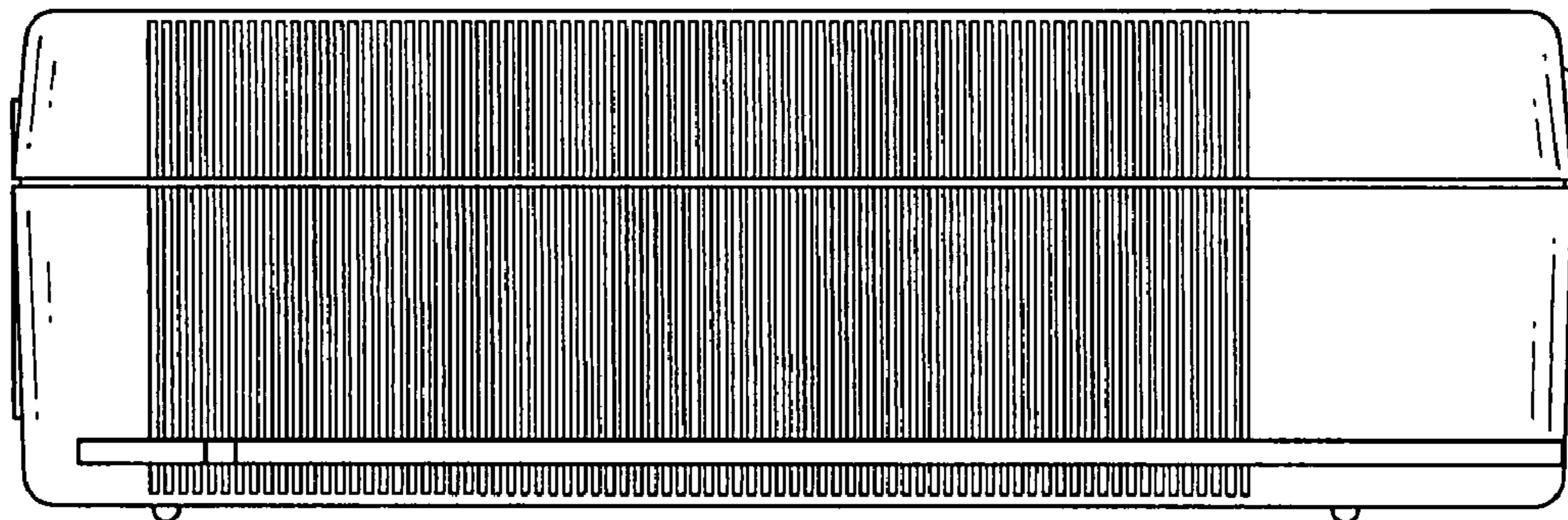


FIG.5

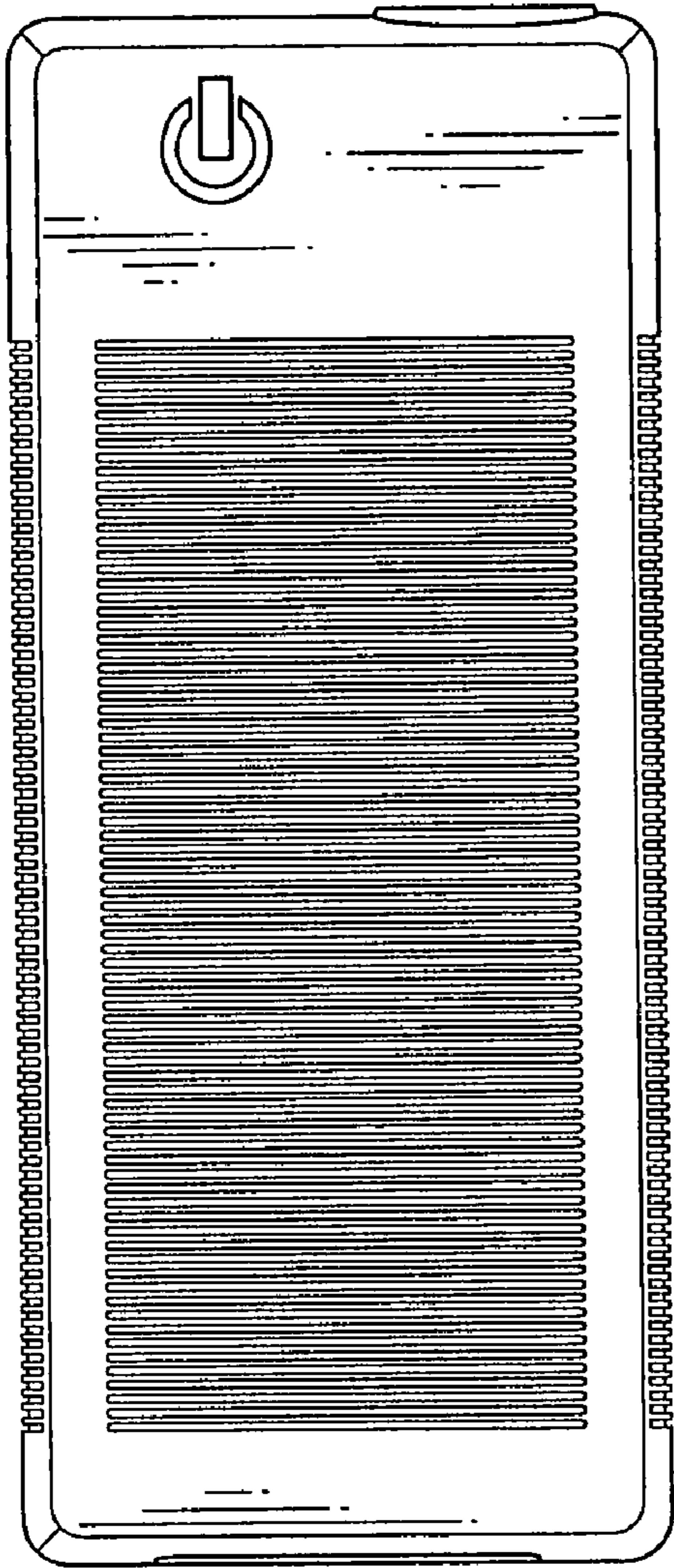


FIG. 6

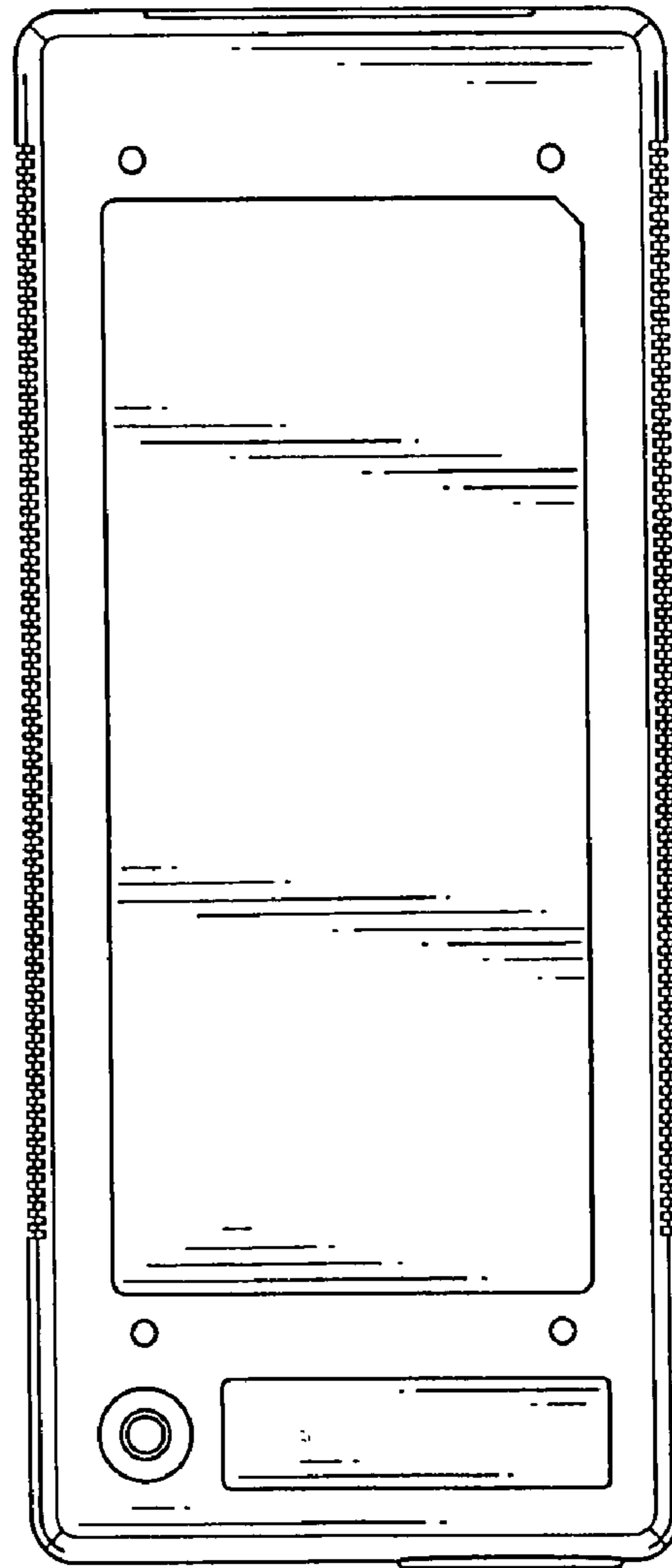


FIG. 7