



US00D585851S

(12) **United States Design Patent**  
**Kokubu et al.**

(10) **Patent No.:** **US D585,851 S**

(45) **Date of Patent:** **\*\* Feb. 3, 2009**

(54) **LIGHT EMITTING DIODE**

(75) Inventors: **Hideki Kokubu**, Aichi-ken (JP);  
**Toshimasa Hayashi**, Aichi-ken (JP);  
**Michio Miyawaki**, Hioki (JP)

(73) Assignees: **Toyoda Gosei Co., Ltd.**,  
Nishikasugai-gun, Aichi-ken (JP);  
**Matsushita Electric Industrial Co., Ltd.**,  
Kadoma-shi, Osaka (JP)

(\*\*) Term: **14 Years**

(21) Appl. No.: **29/300,318**

(22) Filed: **Mar. 12, 2008**

(30) **Foreign Application Priority Data**

Sep. 13, 2007 (JP) ..... 2007-024901

(51) **LOC (9) Cl.** ..... **13-03**

(52) **U.S. Cl.** ..... **D13/180**

(58) **Field of Classification Search** ..... D13/180;  
D26/2; 257/79, 80, 81, 88, 89, 95, 98, 99,  
257/100; 313/483, 498, 500; 362/555, 800  
See application file for complete search history.

(56) **References Cited**

**U.S. PATENT DOCUMENTS**

D490,385 S \* 5/2004 Ishida ..... D13/180  
D500,292 S \* 12/2004 Ishida ..... D13/180  
D503,388 S \* 3/2005 Ishida ..... D13/180  
D527,352 S \* 8/2006 Wu et al. .... D13/180

D528,999 S \* 9/2006 Cho et al. .... D13/180  
D533,146 S \* 12/2006 Wu et al. .... D13/180  
D533,517 S \* 12/2006 Kim et al. .... D13/180  
2004/0046242 A1 \* 3/2004 Asakawa ..... 257/678

\* cited by examiner

*Primary Examiner*—Selina Sikder

(74) *Attorney, Agent, or Firm*—McGinn IP Law Group,  
PLLC

(57) **CLAIM**

The ornamental design for a light emitting diode, as shown  
and described.

**DESCRIPTION**

FIG. 1 is a perspective view of top, front and left side of a light  
emitting diode showing our new design;

FIG. 2 is a perspective view of bottom, front and left side  
thereof;

FIG. 3 is a top plan view thereof;

FIG. 4 is a front view thereof;

FIG. 5 is a left side view thereof;

FIG. 6 is a right side view thereof;

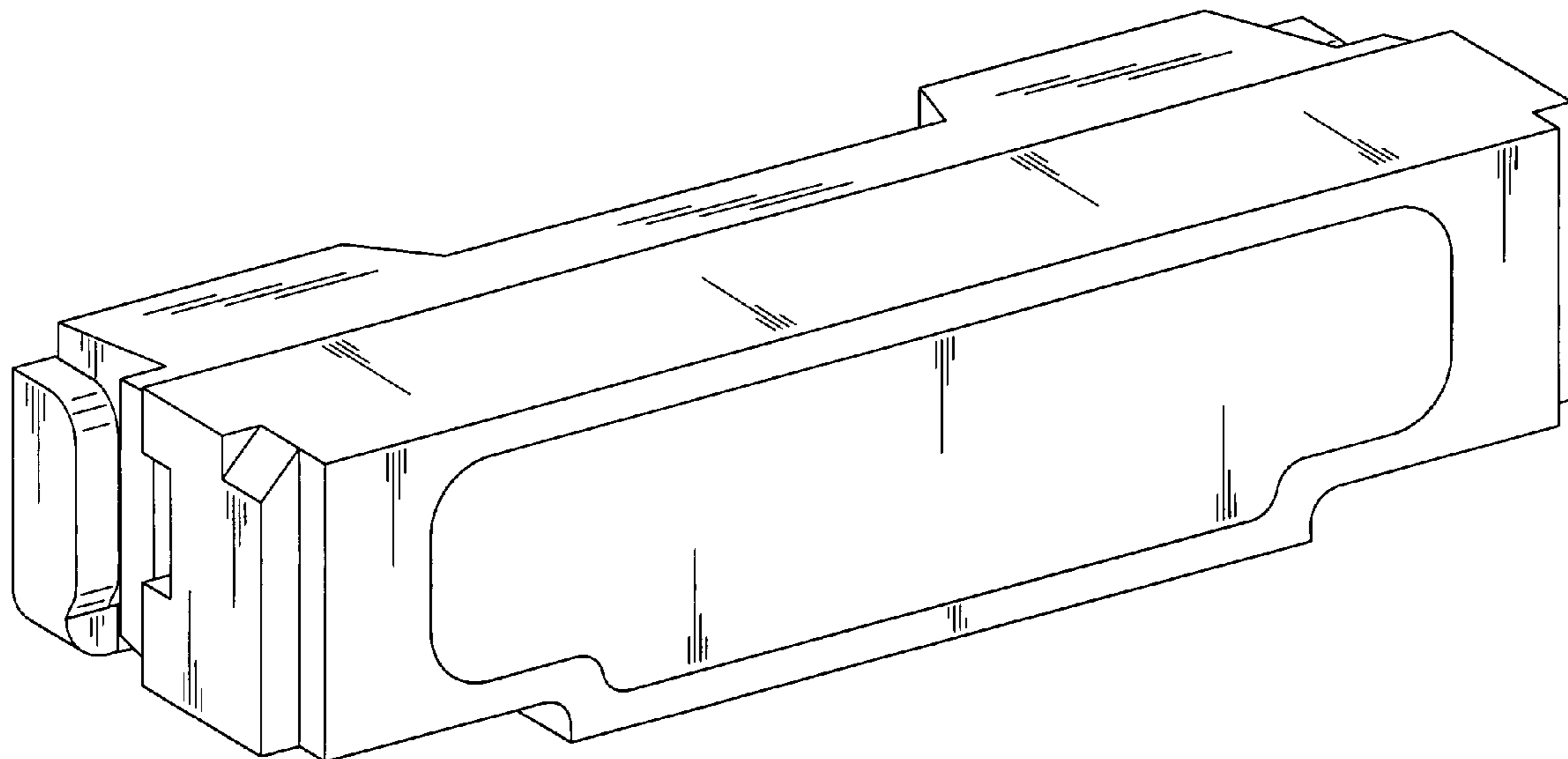
FIG. 7 is a rear view thereof;

FIG. 8 is a bottom view thereof;

FIG. 9 is a cross sectional view at 9—9 thereof; and,

FIG. 10 is a cross sectional view at 10—10 thereof.

**1 Claim, 6 Drawing Sheets**



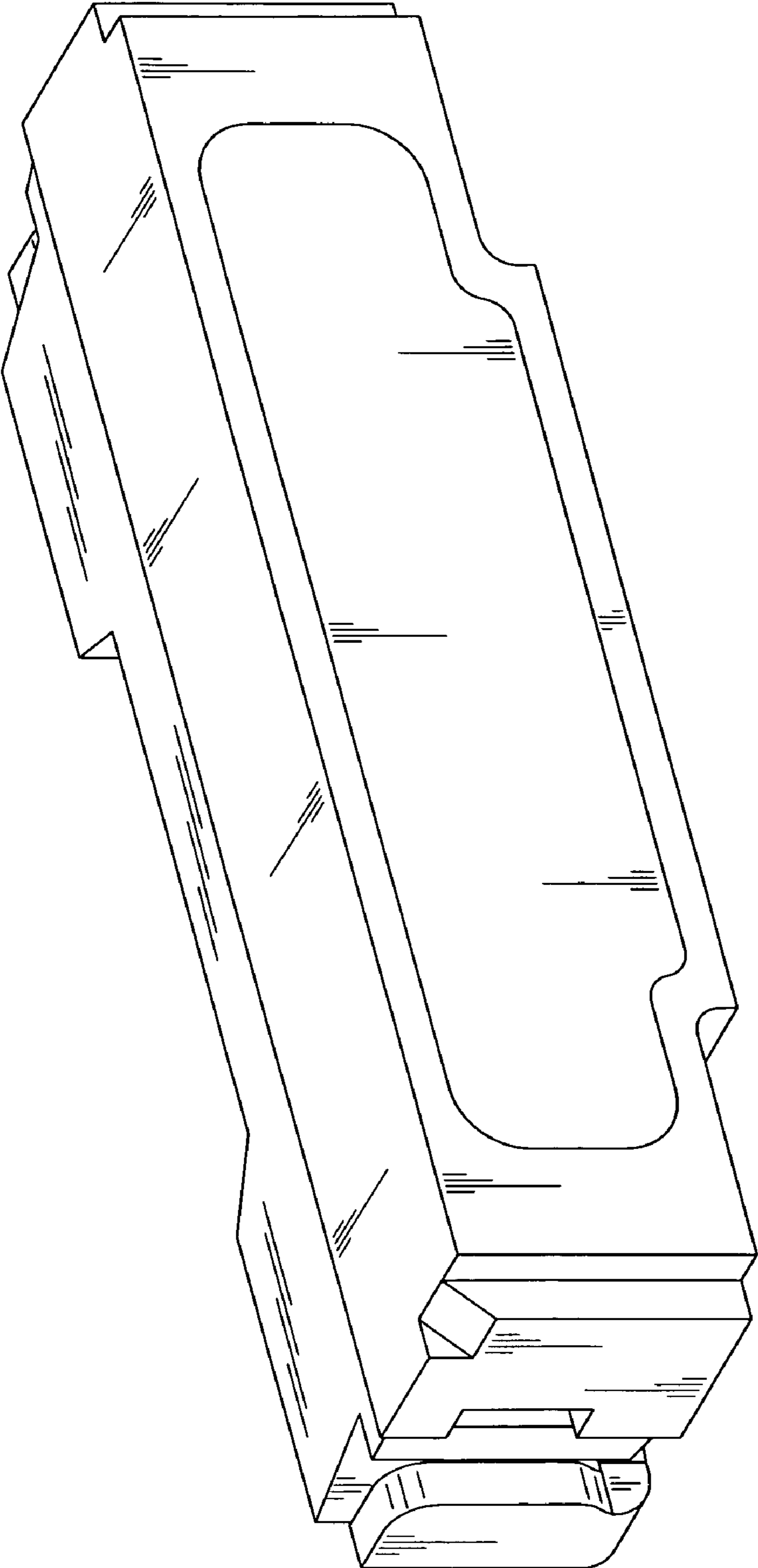


FIG. 1

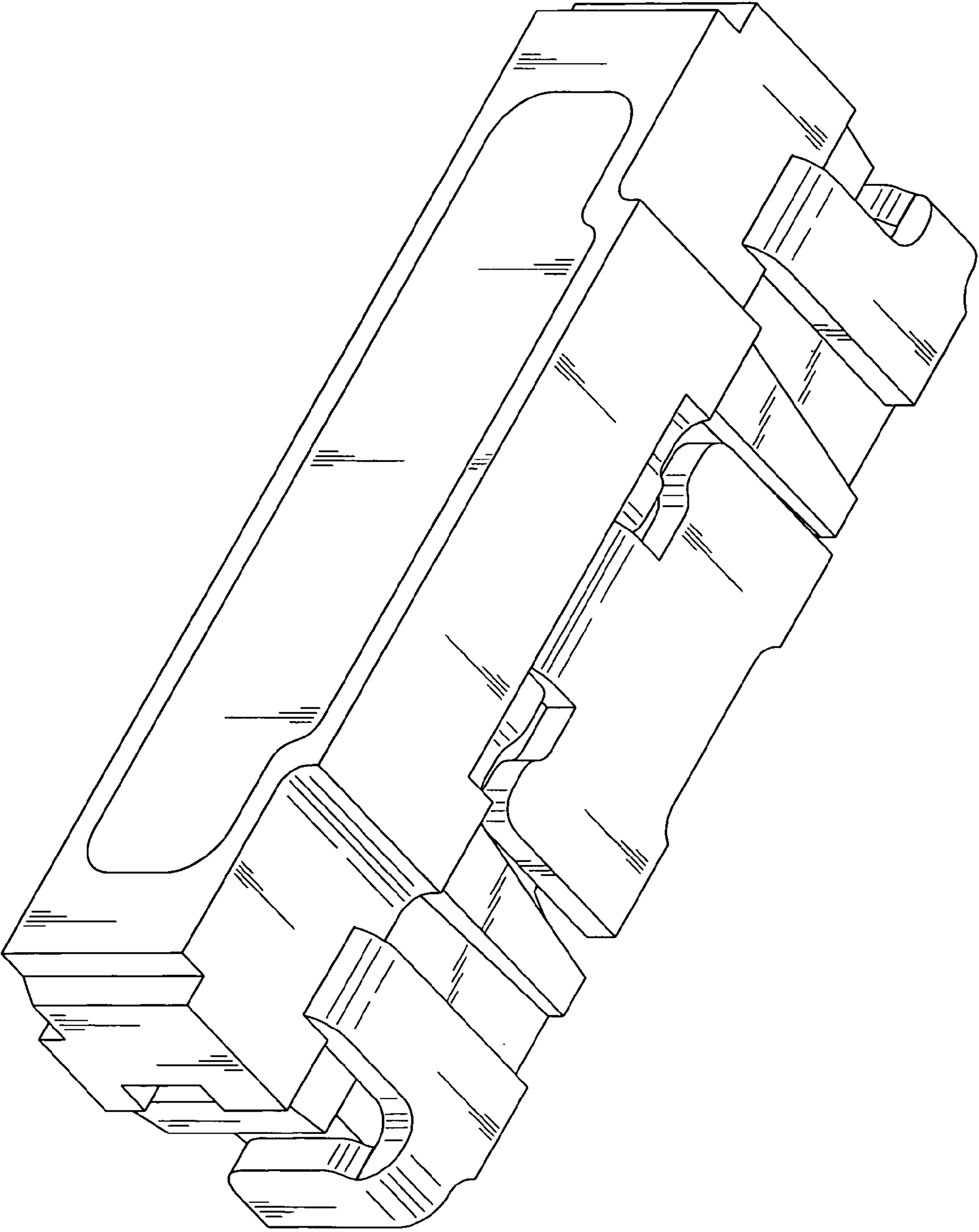


FIG. 2

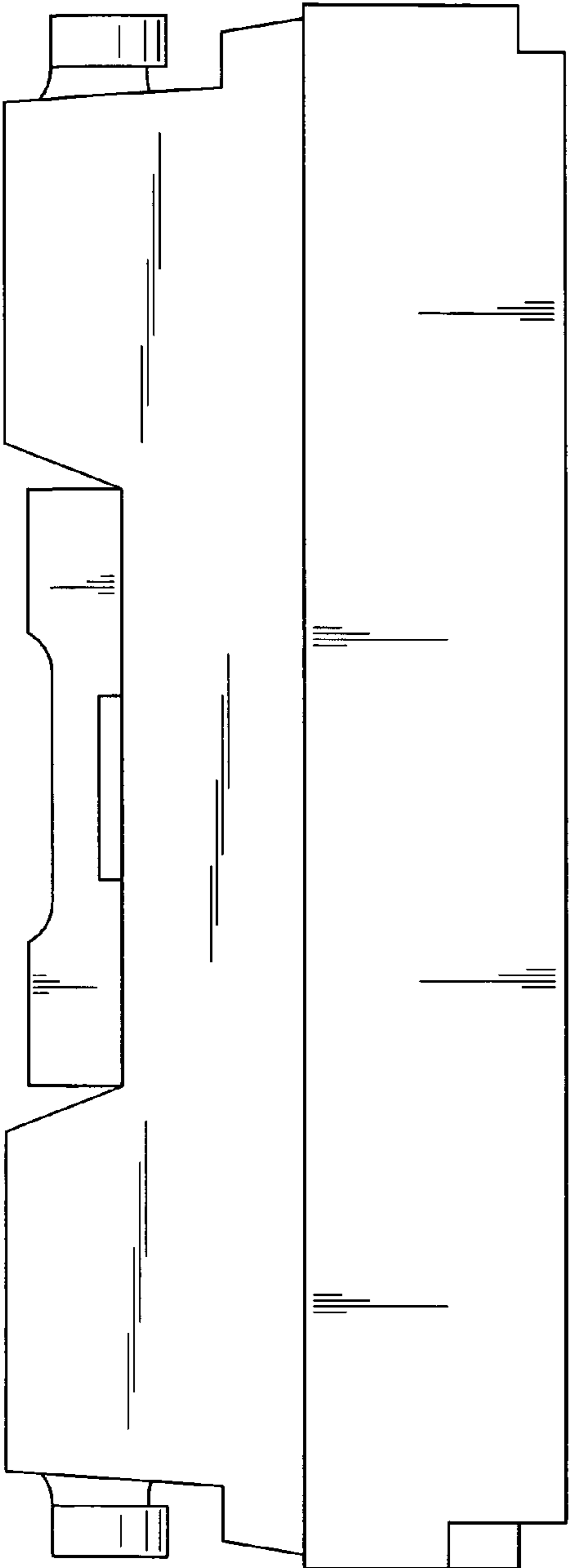


FIG. 3

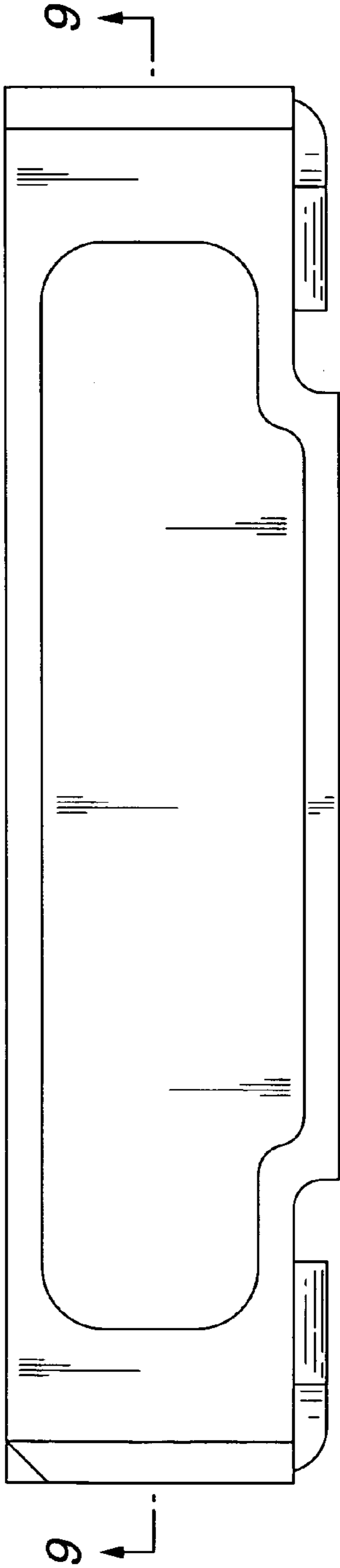


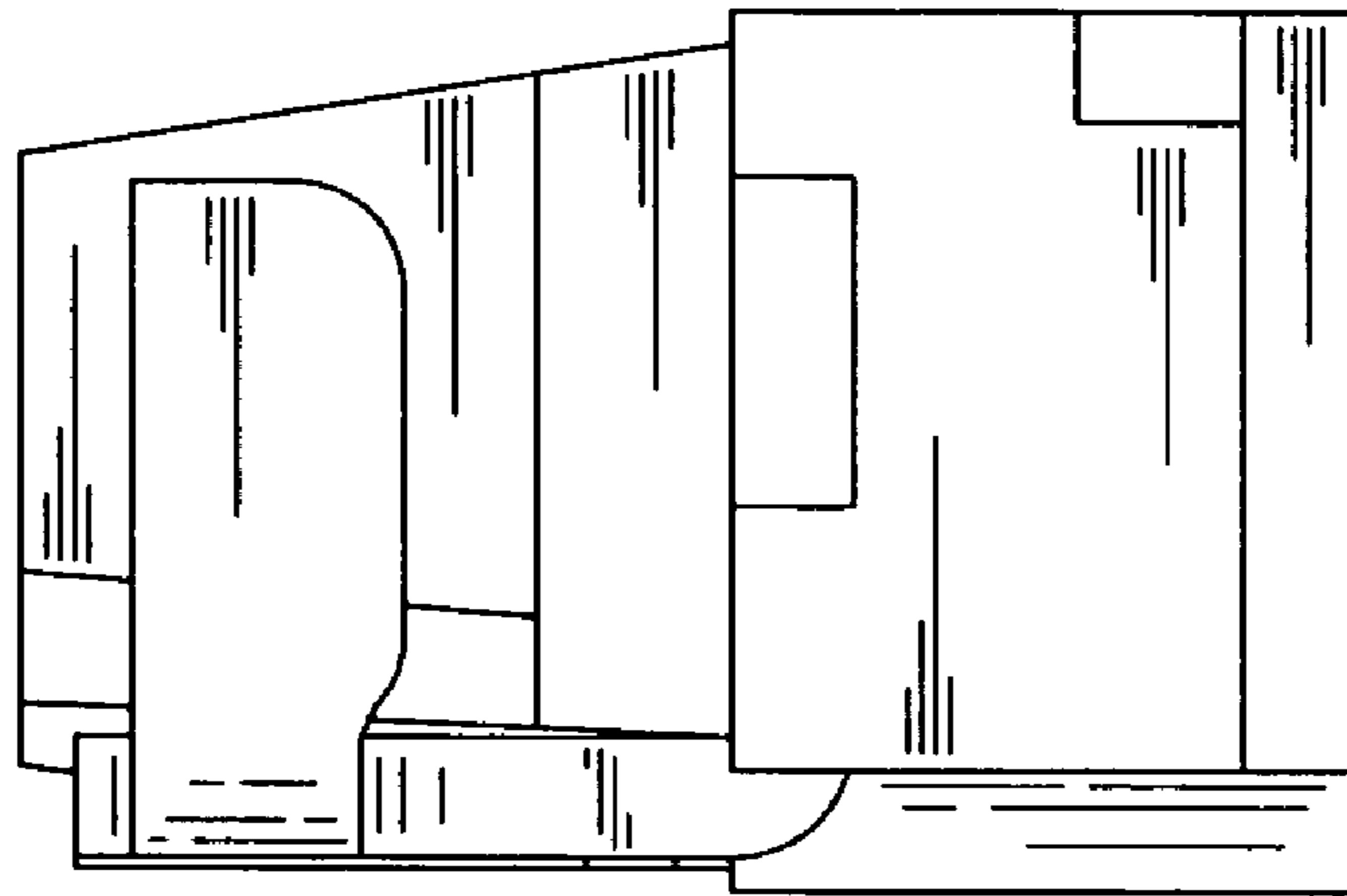
FIG. 4

10

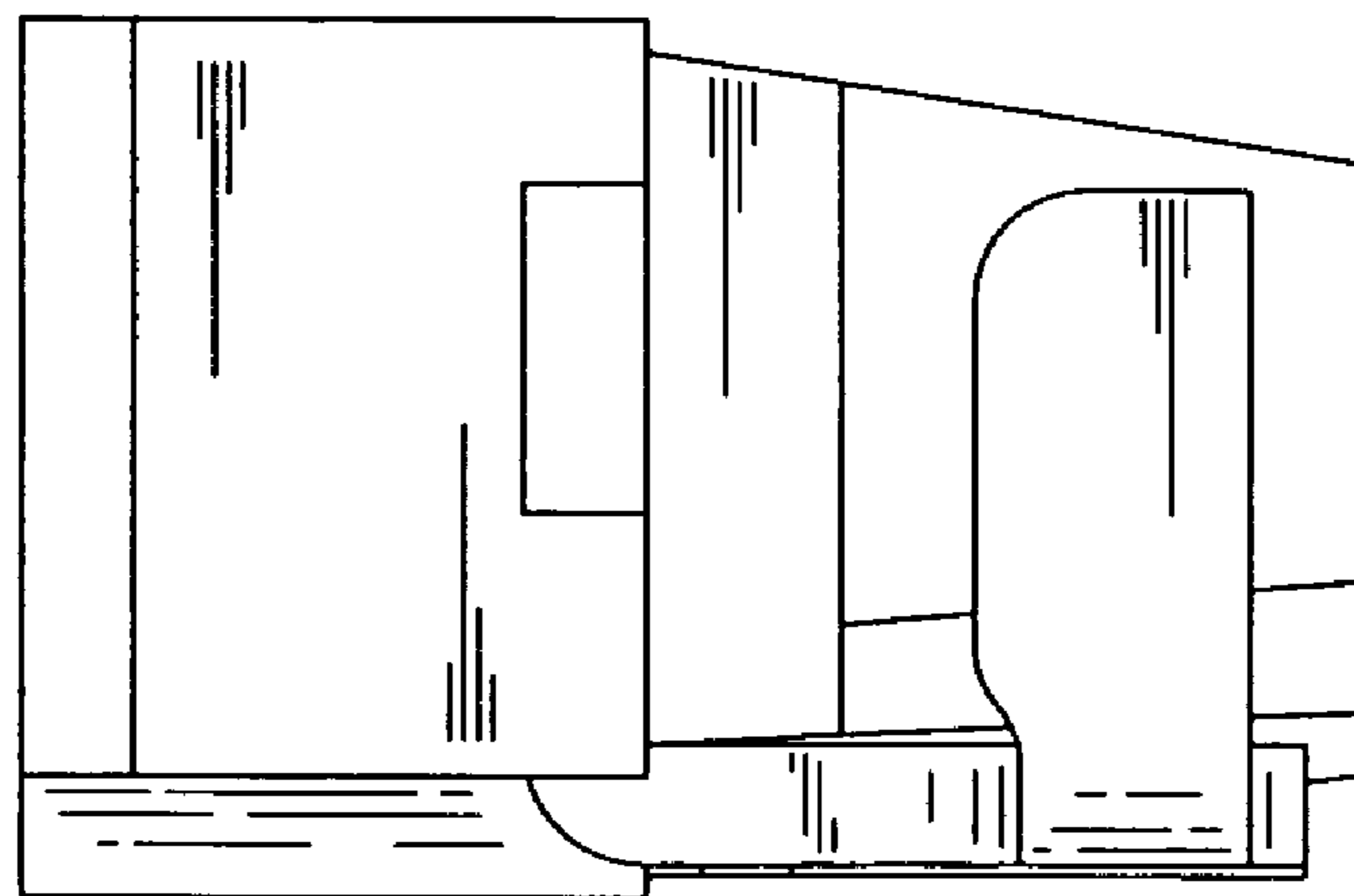
10

9

9



*FIG. 5*



*FIG. 6*

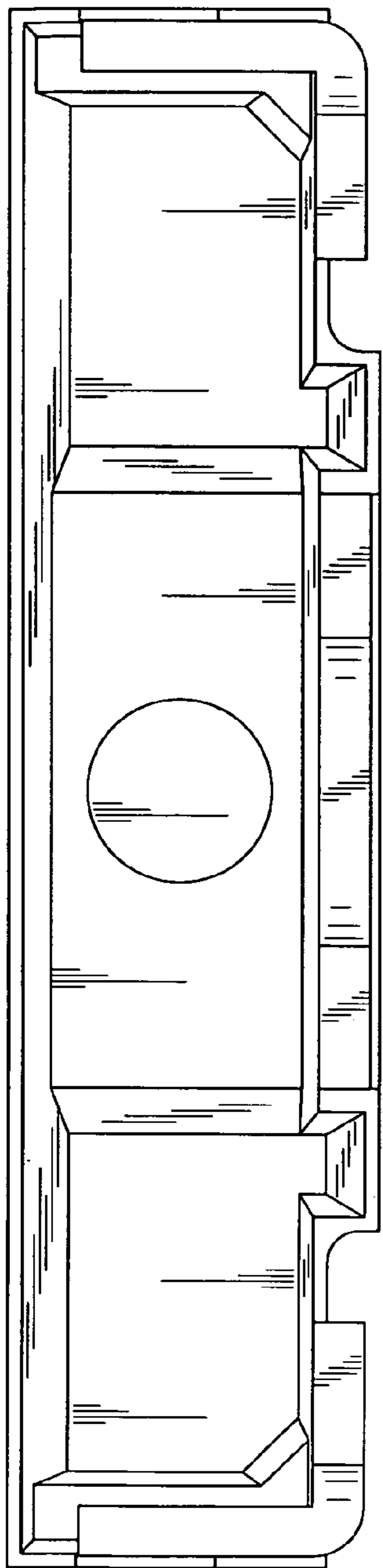


FIG. 7

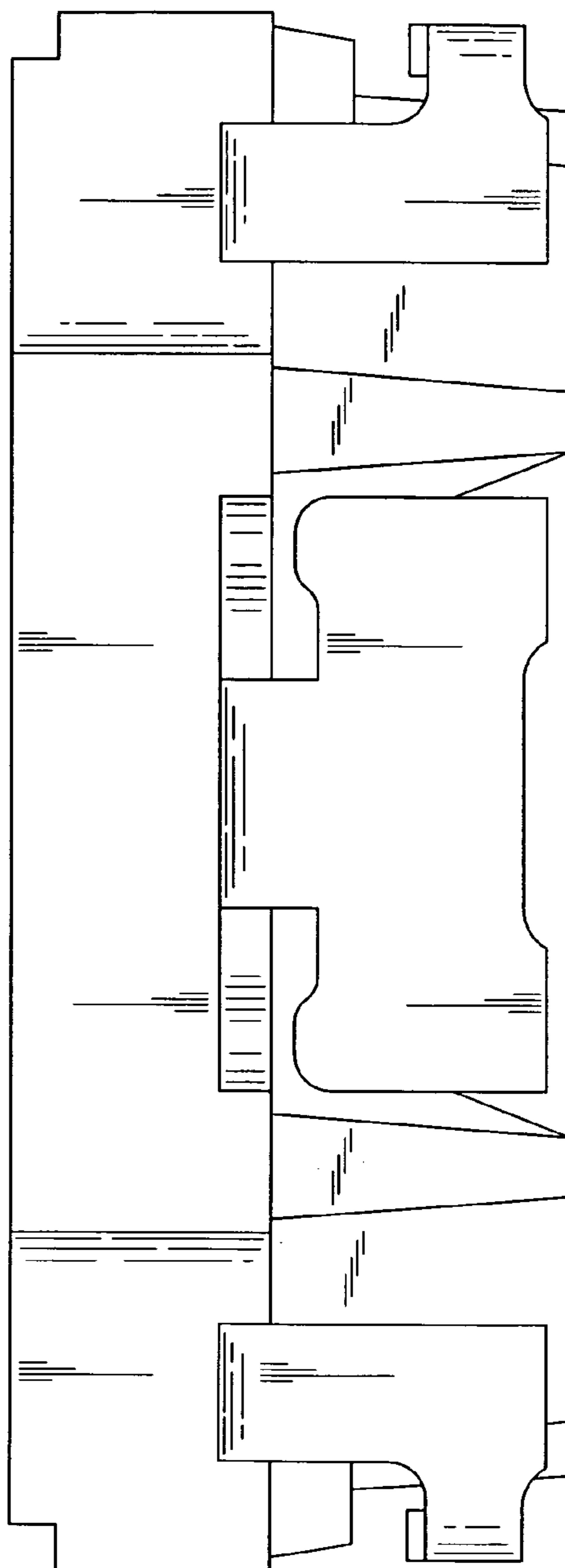


FIG. 8

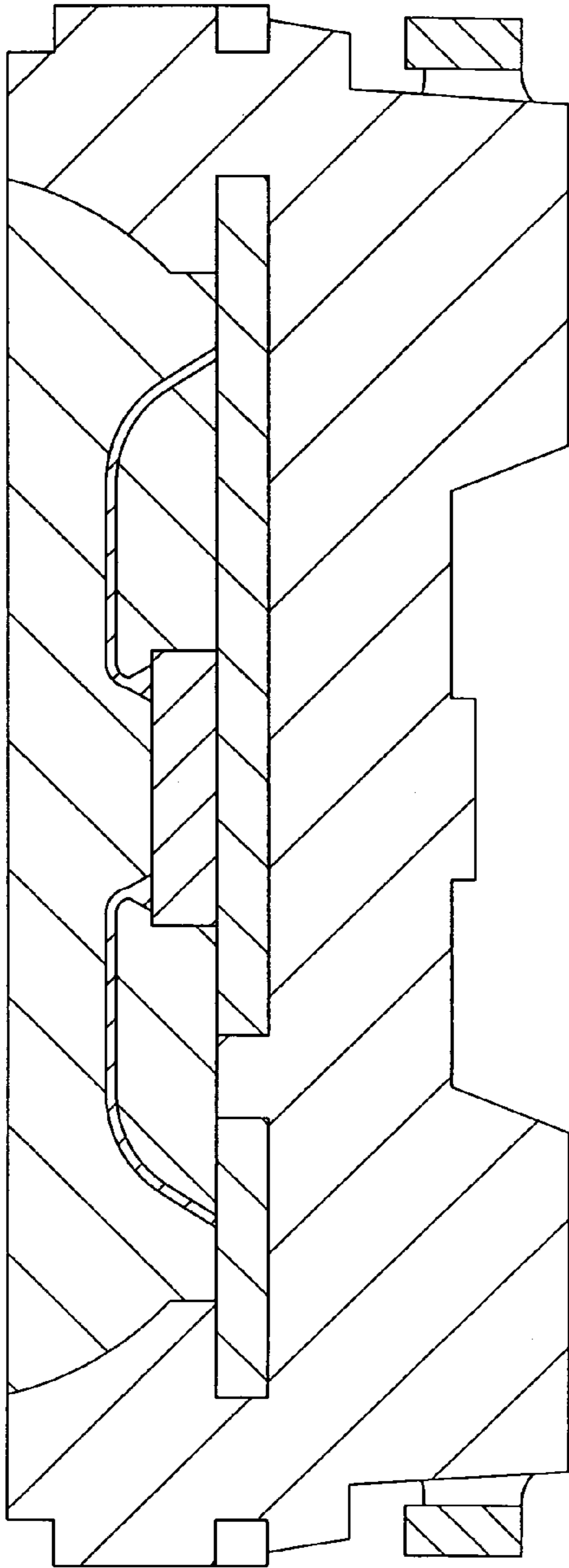


FIG. 9

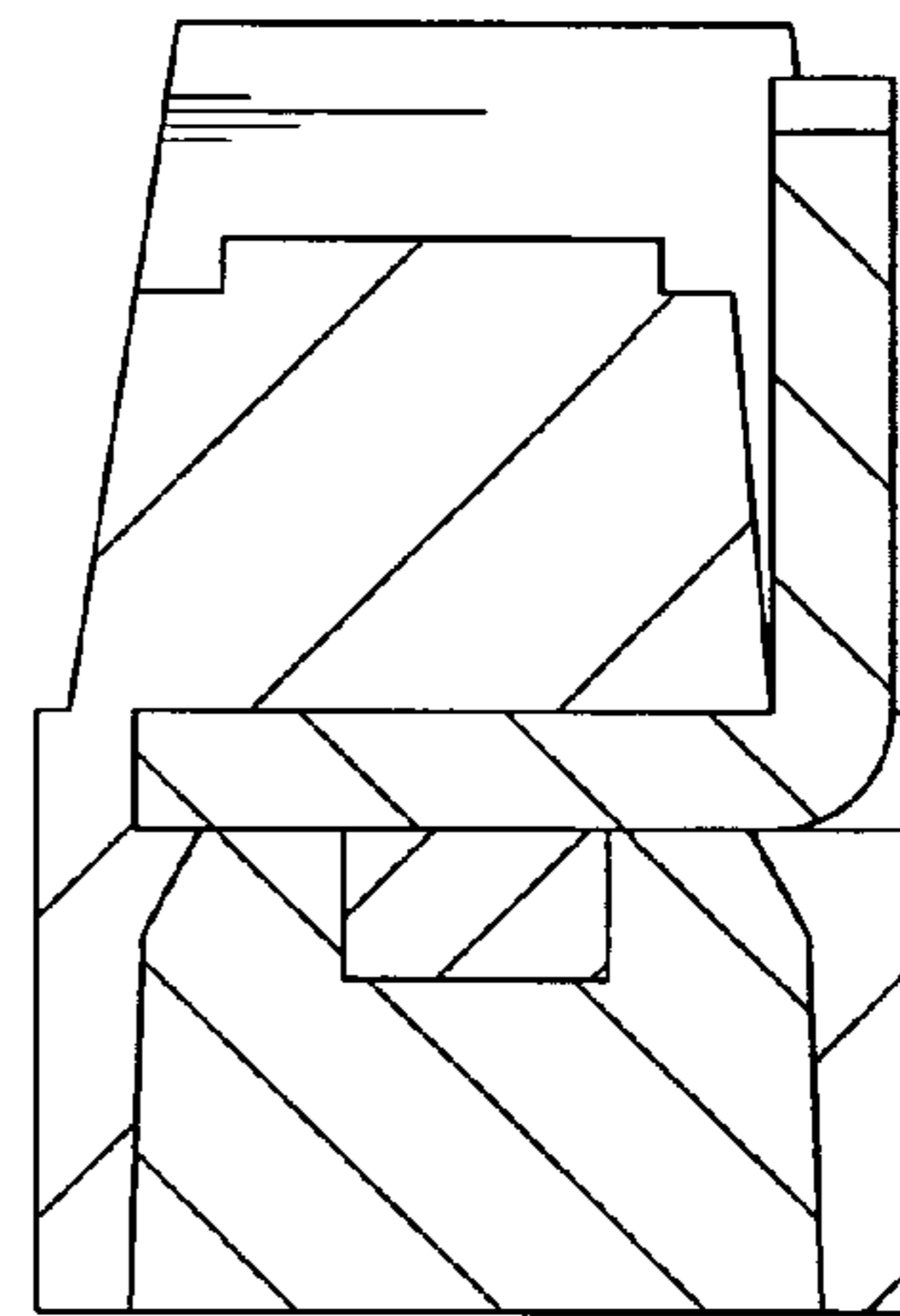


FIG. 10