



US00D585850S

(12) **United States Design Patent**
Won

(10) **Patent No.:** **US D585,850 S**

(45) **Date of Patent:** **** *Feb. 3, 2009**

- (54) **LIGHT-EMITTING DIODE (LED)**
- (75) Inventor: **Jung Min Won**, Gwangsan-gu (KR)
- (73) Assignee: **LG Innotek Co., Ltd**, Seoul (KR)
- (*) Notice: This patent is subject to a terminal disclaimer.

6,586,721	B2 *	7/2003	Estevez-Garcia	250/221
6,624,491	B2 *	9/2003	Waitl et al.	257/434
6,707,069	B2 *	3/2004	Song et al.	257/79
D517,026	S *	3/2006	Suenaga	D13/180
D521,950	S *	5/2006	Inoue	D13/180
D559,803	S *	1/2008	Lee	D13/180
2004/0201987	A1 *	10/2004	Omata	362/230
2005/0173721	A1 *	8/2005	Isoda	257/99

(**) Term: **14 Years**

(21) Appl. No.: **29/299,188**

(22) Filed: **Dec. 20, 2007**

(30) **Foreign Application Priority Data**

Jul. 20, 2007 (KR) 30-2007-0031532

(51) **LOC (9) Cl.** **13-03**

(52) **U.S. Cl.** **D13/180**

(58) **Field of Classification Search** D13/180;
D26/2; 257/79, 80, 81, 88, 89, 95, 98, 99,
257/100; 313/483, 498, 500; 362/555, 800
See application file for complete search history.

(56) **References Cited**

U.S. PATENT DOCUMENTS

4,843,280	A *	6/1989	Lumbard et al.	313/500
6,320,739	B1 *	11/2001	Gotoh et al.	361/820
6,383,835	B1 *	5/2002	Hata et al.	438/65
6,495,861	B1 *	12/2002	Ishinaga	257/99

* cited by examiner

Primary Examiner—Selina Sikder

(74) *Attorney, Agent, or Firm*—Saliwanchik, Lloyd & Saliwanchik

(57) **CLAIM**

The ornamental design for a light-emitting diode (LED), as shown and described.

DESCRIPTION

FIG. 1 is a front, right perspective of the light-emitting diode (LED) showing my new design;

FIG. 2 is a front view thereof; the rear side view being a mirror image thereof;

FIG. 3 is a left side view thereof, the right side view being a mirror image thereof;

FIG. 4 is a top plan view thereof; and,

FIG. 5 is a bottom plan view thereof.

1 Claim, 3 Drawing Sheets

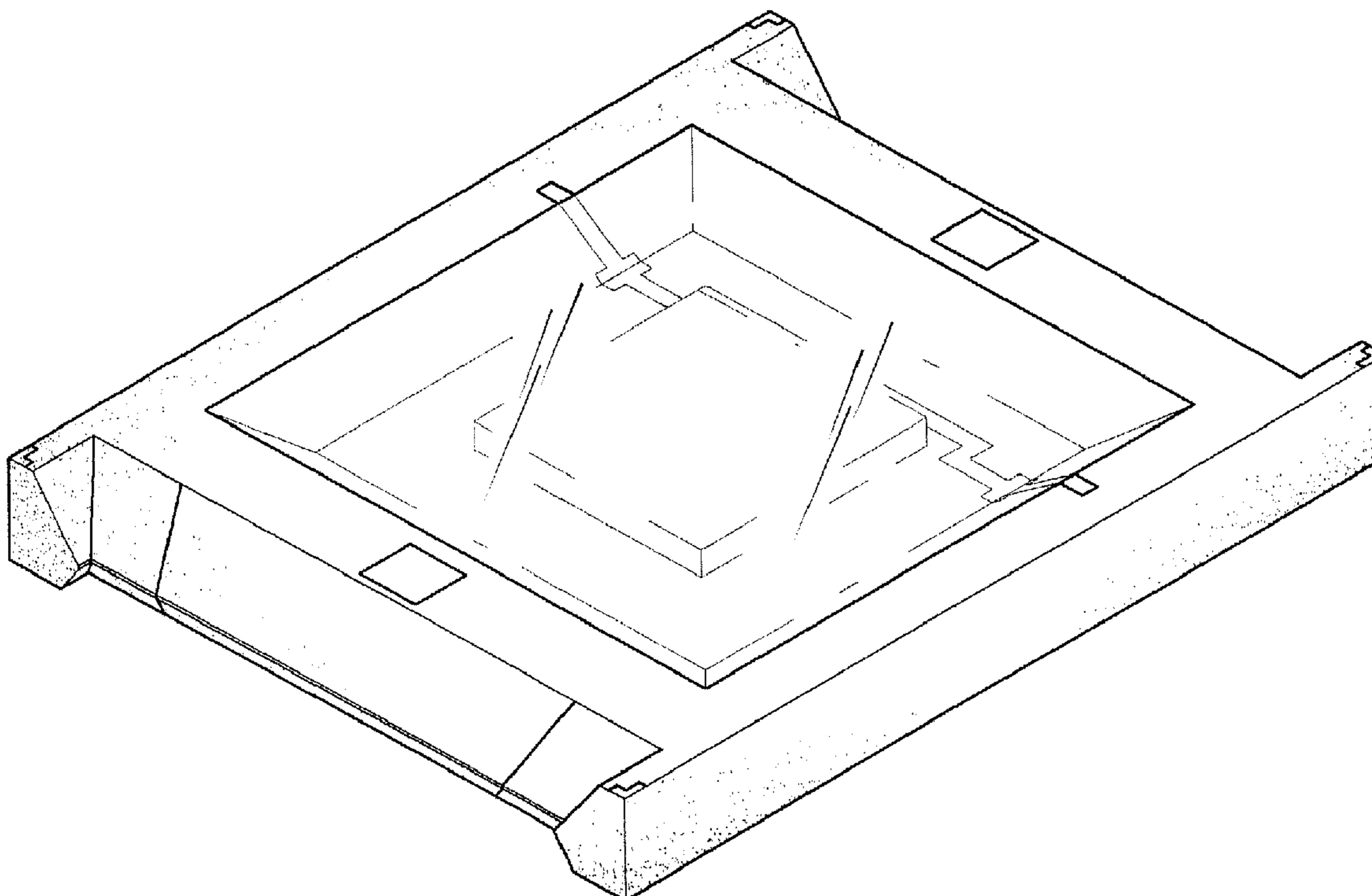


FIG.1

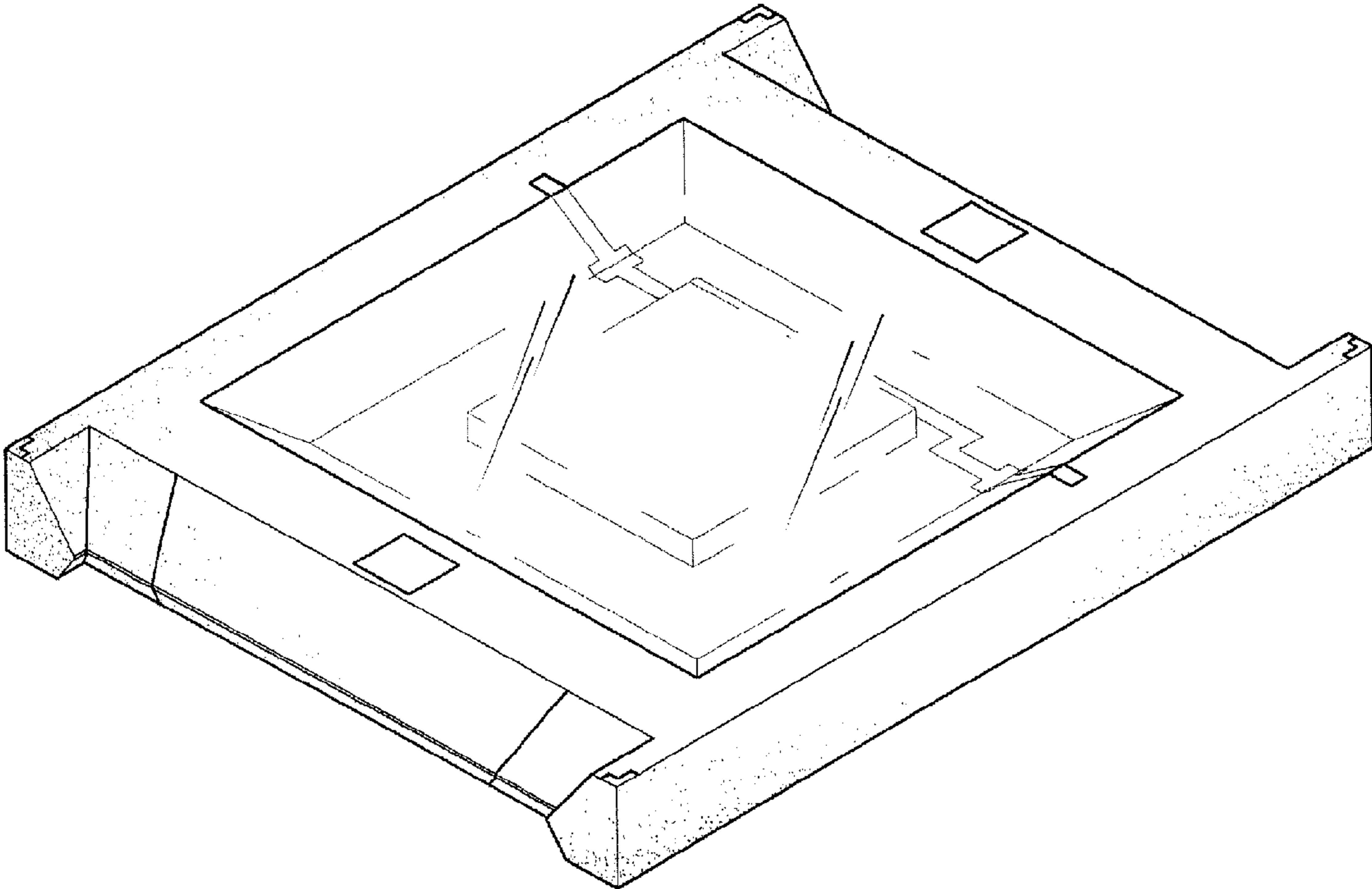


FIG.2



FIG.3

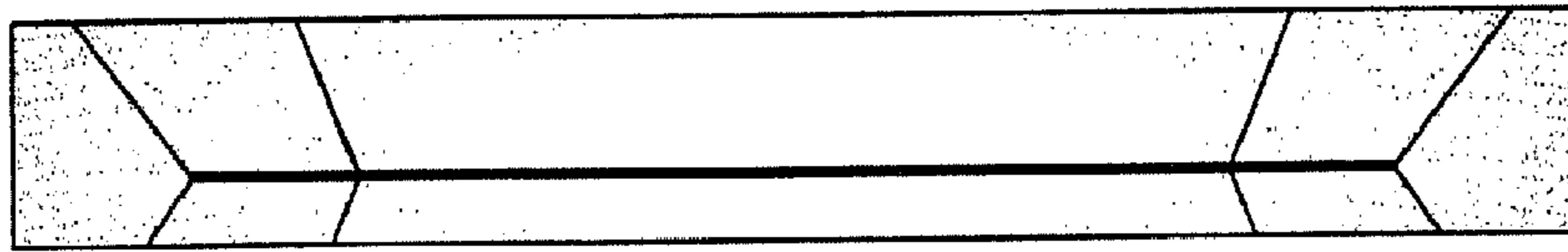


FIG.4

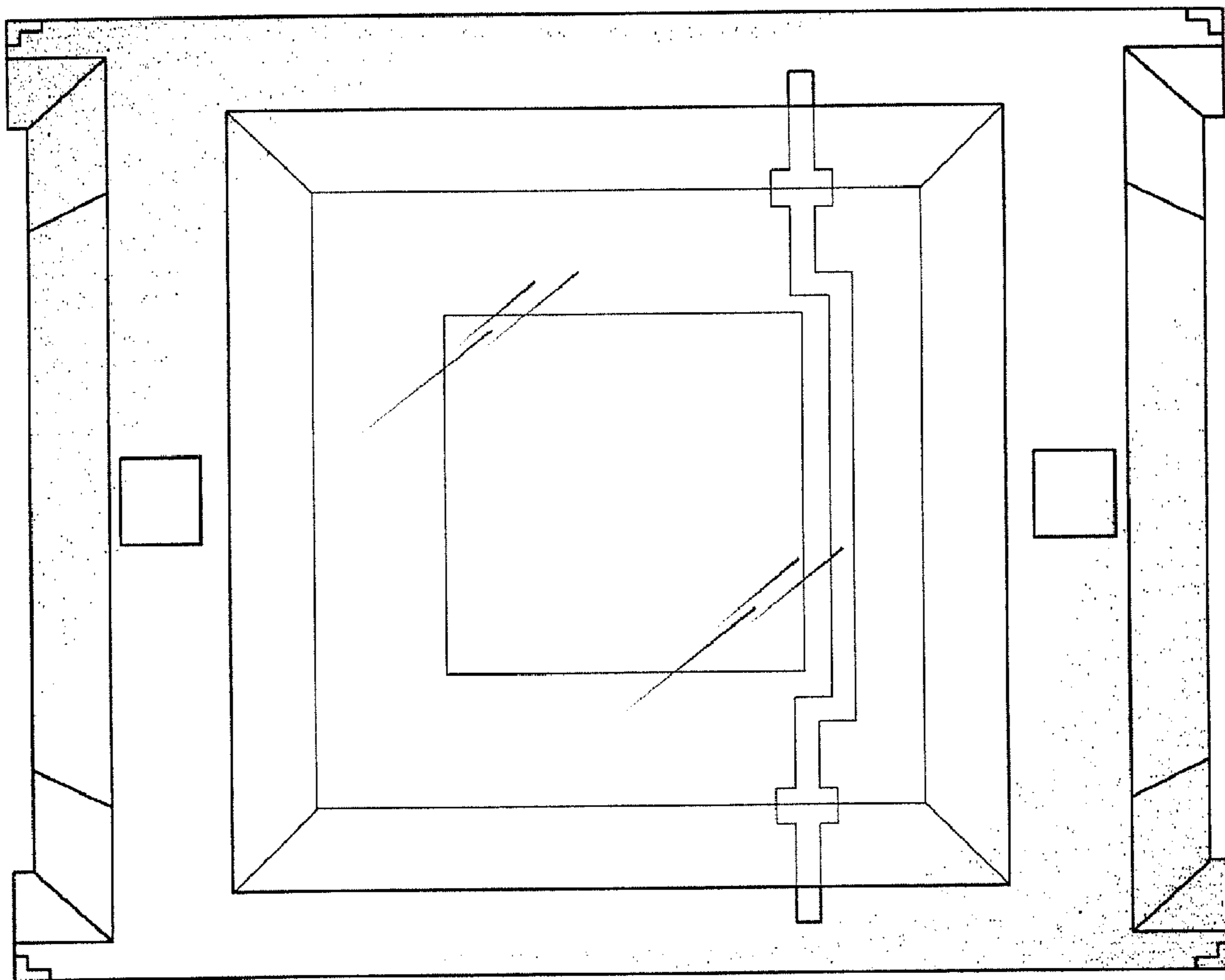


FIG.5

