



US00D585849S

(12) **United States Design Patent**  
**Im**

(10) **Patent No.:** **US D585,849 S**

(45) **Date of Patent:** **\*\* Feb. 3, 2009**

(54) **LIGHT-EMITTING DIODE (LED)**

(75) **Inventor:** **Hyeong Seok Im, Gwangsan-gu (KR)**

(73) **Assignee:** **LG Innotek Co., Ltd., Seoul (KR)**

(\*\*) **Term:** **14 Years**

(21) **Appl. No.:** **29/299,174**

(22) **Filed:** **Dec. 20, 2007**

(30) **Foreign Application Priority Data**

Jun. 20, 2007 (KR) ..... 30-2007-0026620

(51) **LOC (9) Cl.** ..... **13-03**

(52) **U.S. Cl.** ..... **D13/180**

(58) **Field of Classification Search** ..... D13/180;  
D26/2; 257/79, 80, 81, 88, 89, 95, 98, 99,  
257/100; 313/483, 498, 500; 362/555, 800  
See application file for complete search history.

(56) **References Cited**

**U.S. PATENT DOCUMENTS**

D490,386 S *	5/2004	Ishida	.....	D13/180
D495,667 S *	9/2004	Kim et al.	.....	D13/180
D501,831 S *	2/2005	Ishida	.....	D13/180
D504,873 S *	5/2005	Ishida	.....	D13/180
6,953,952 B2 *	10/2005	Asakawa	.....	257/103
D512,693 S *	12/2005	Kim et al.	.....	D13/180
D534,132 S *	12/2006	Yoon	.....	D13/180

D538,760 S *	3/2007	Song et al.	.....	D13/180
7,242,035 B2 *	7/2007	Kim et al.	.....	257/99
D549,187 S *	8/2007	Park et al.	.....	D13/180
D551,181 S *	9/2007	Son	.....	D13/180
D558,693 S *	1/2008	Shin et al.	.....	D13/180
D566,664 S *	4/2008	Kong	.....	D13/180
2005/0121688 A1 *	6/2005	Nagai et al.	.....	257/99
2006/0023451 A1 *	2/2006	Han et al.	.....	362/249

\* cited by examiner

*Primary Examiner*—Selina Sikder

(74) *Attorney, Agent, or Firm*—Saliwanchik, Lloyd & Saliwanchik

(57) **CLAIM**

The ornamental design for a light-emitting diode (LED), as shown and described.

**DESCRIPTION**

FIG. 1 is a front, right perspective of the light-emitting diode (LED) showing my new design;

FIG. 2 is a front view thereof;

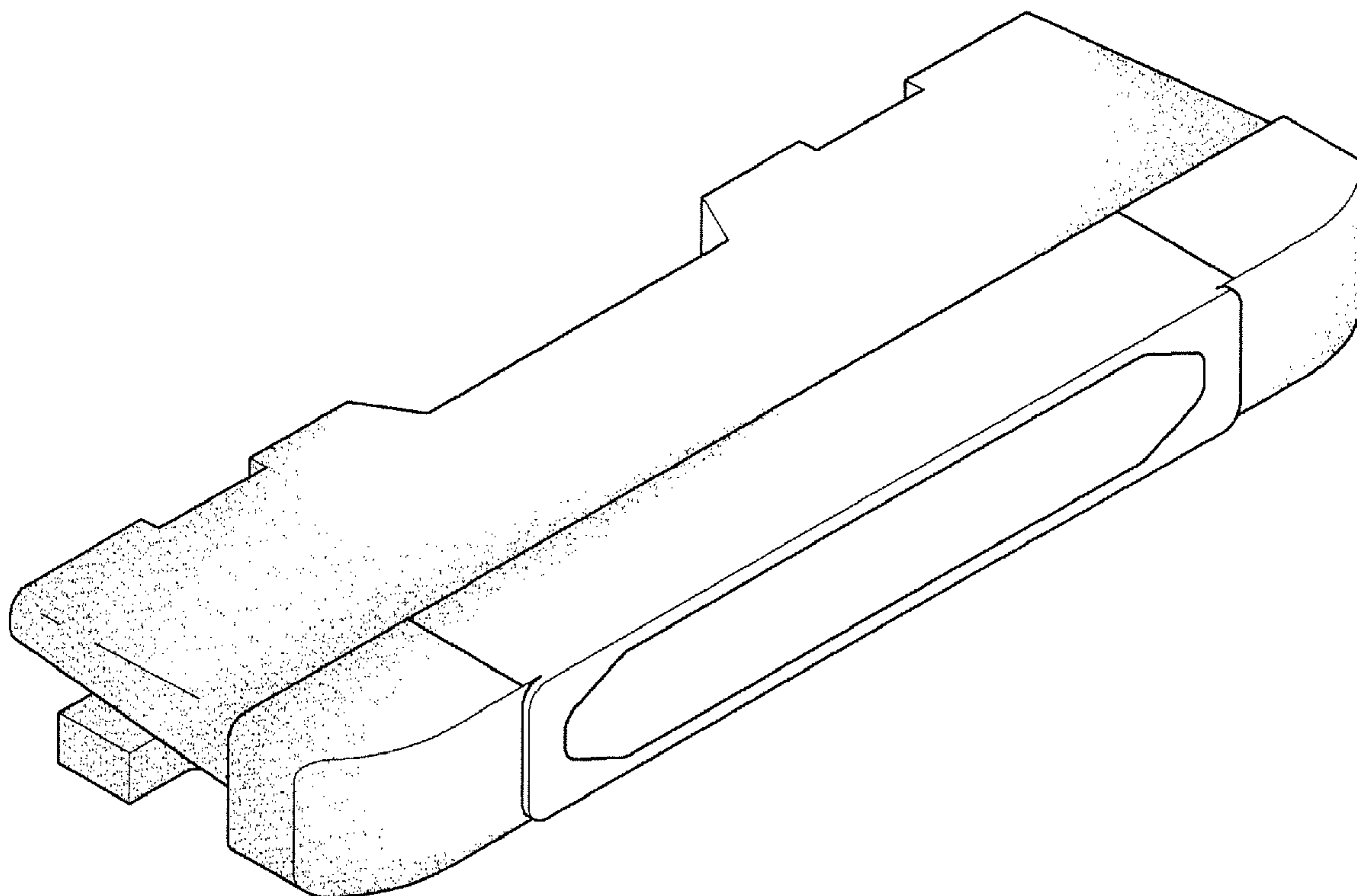
FIG. 3 is a rear view thereof;

FIG. 4 is a left side view thereof, the right side view being a mirror image thereof;

FIG. 5 is a top plan view thereof; and,

FIG. 6 is a bottom plan view thereof.

**1 Claim, 3 Drawing Sheets**



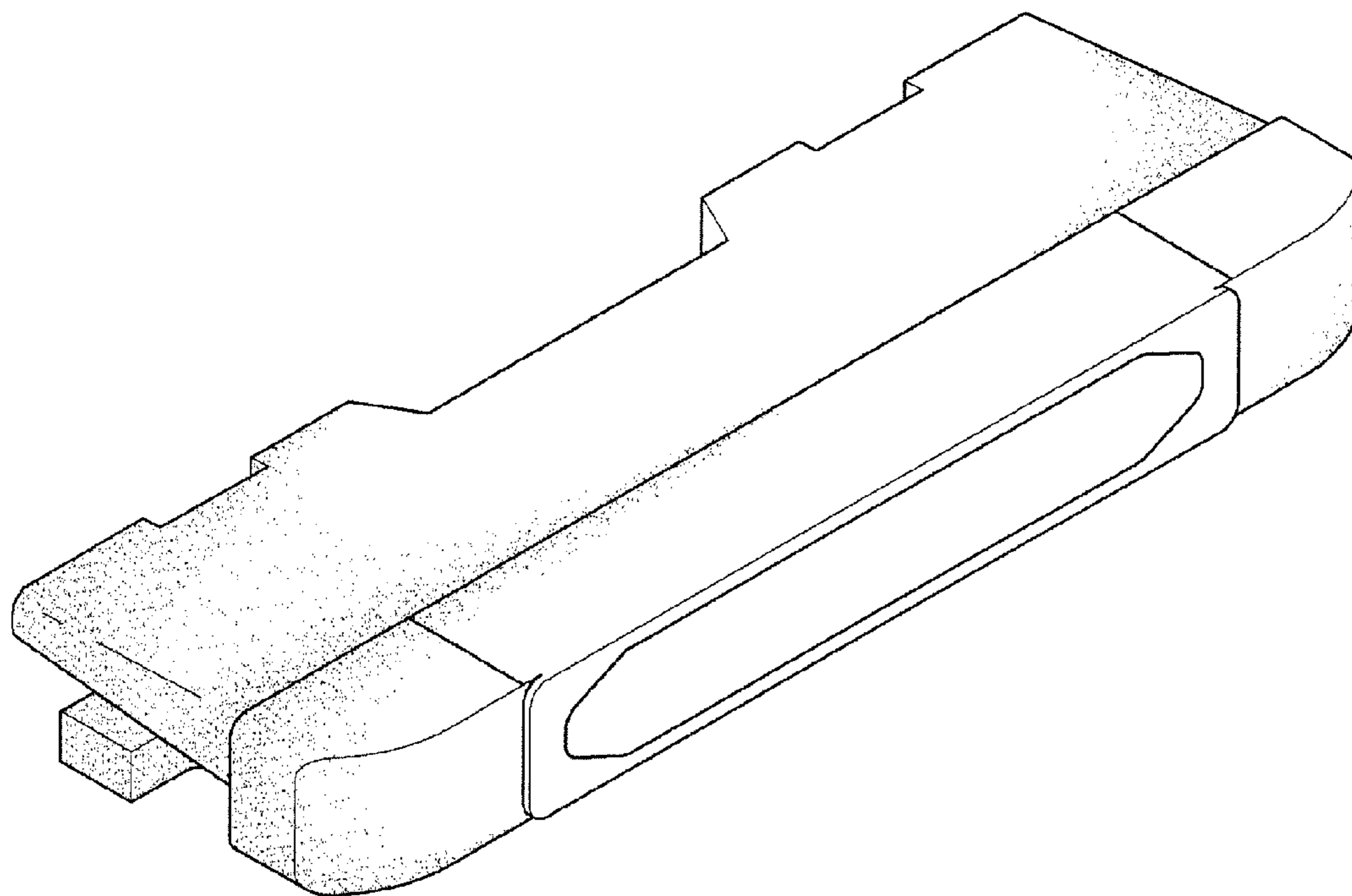


FIG. 1

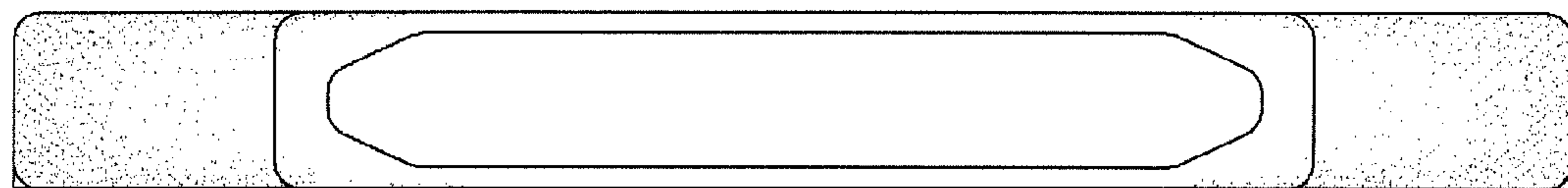


FIG. 2

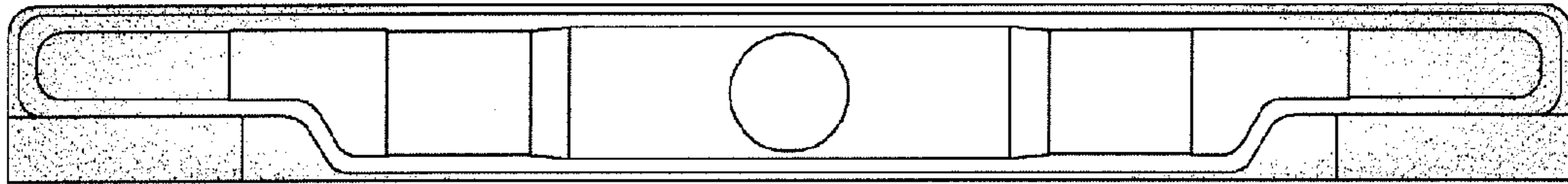


FIG. 3



FIG. 4

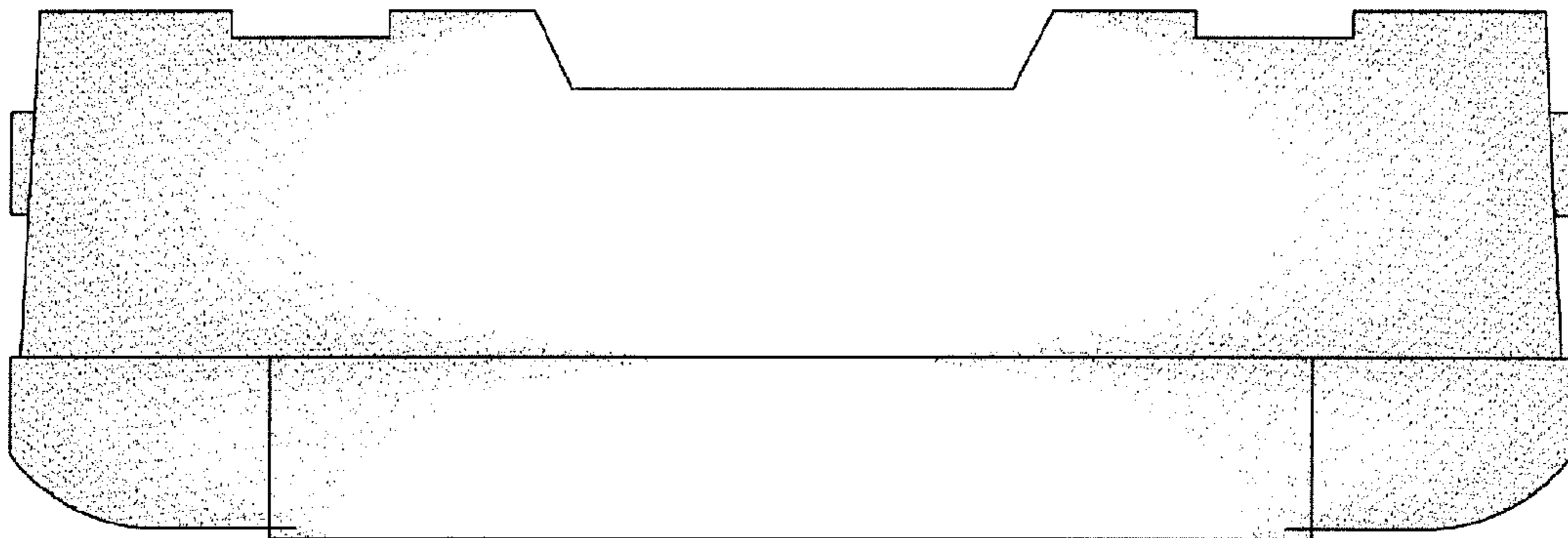
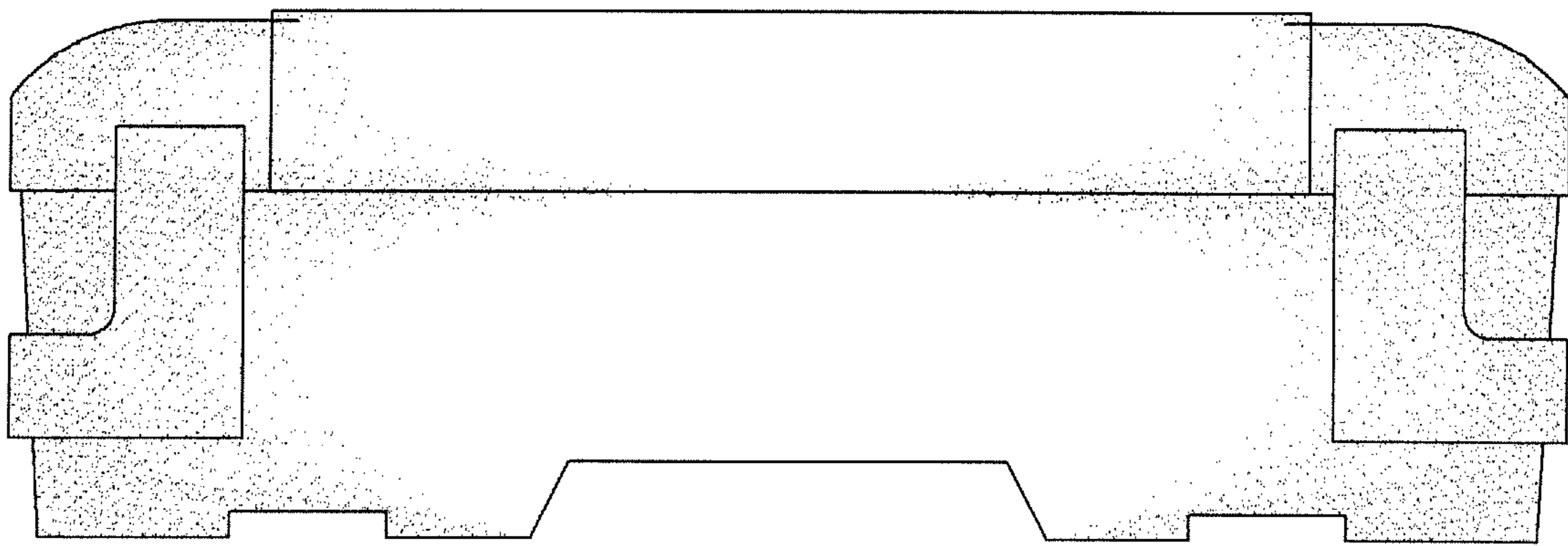


FIG. 5



**FIG. 6**