



US00D585847S

(12) **United States Design Patent**
Roberts et al.

(10) **Patent No.:** **US D585,847 S**

(45) **Date of Patent:** **** Feb. 3, 2009**

(54) **LED LIGHTING TILE**

(75) Inventors: **John K. Roberts**, Grand Rapids, MI (US); **Paul E. Sims**, Pittsboro, NC (US); **Chenhua You**, Cary, NC (US)

(73) Assignee: **Cree, Inc.**, Durham, NC (US)

(**) Term: **14 Years**

(21) Appl. No.: **29/248,867**

(22) Filed: **Sep. 8, 2006**

(51) **LOC (9) Cl.** **13-03**

(52) **U.S. Cl.** **D13/180; D13/182**

(58) **Field of Classification Search** D26/1, D26/24-25, 72, 80, 26; 362/555, 800, 600, 362/602, 604, 611-612; D13/180-182
See application file for complete search history.

(56) **References Cited**

U.S. PATENT DOCUMENTS

D465,207 S *	11/2002	Williams et al.	D13/182
D505,121 S *	5/2005	Harnden et al.	D13/182
D505,122 S *	5/2005	Harnden et al.	D13/182
D513,608 S *	1/2006	Harnden et al.	D13/182
D522,976 S *	6/2006	Mizukoshi	D13/182
D530,288 S *	10/2006	Nagai	D13/180
D548,199 S *	8/2007	Chen	D13/182
D552,048 S *	10/2007	He	D13/182

D552,566 S *	10/2007	Moriyama	D13/182
7,309,152 B2 *	12/2007	Huang	362/612
D568,500 S *	5/2008	Uemoto et al.	D26/24

* cited by examiner

Primary Examiner—Charles A Rademaker

Assistant Examiner—Dana L Sipos

(74) *Attorney, Agent, or Firm*—Myers Bigel Sibley & Sajovec

(57) **CLAIM**

We claim the ornamental design for a LED lighting tile, as shown and described.

DESCRIPTION

FIG. 1 is a top perspective view of the LED lighting tile showing our design;

FIG. 2 is a top view thereof;

FIG. 3 is a side view thereof (the opposing side view thereof being the same);

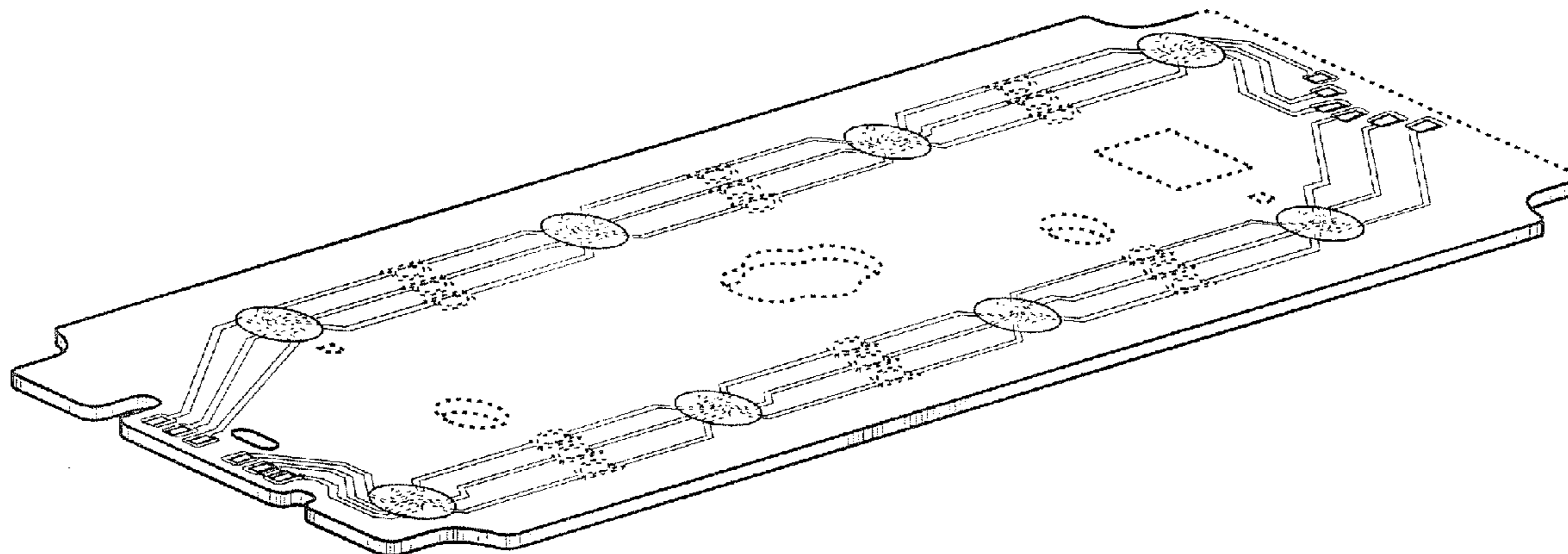
FIG. 4 is a bottom view thereof;

FIG. 5 is an end view thereof; and,

FIG. 6 is an opposing end view thereof.

The broken lines in the drawings illustrate the portions of the design that form no part of the claim.

1 Claim, 3 Drawing Sheets



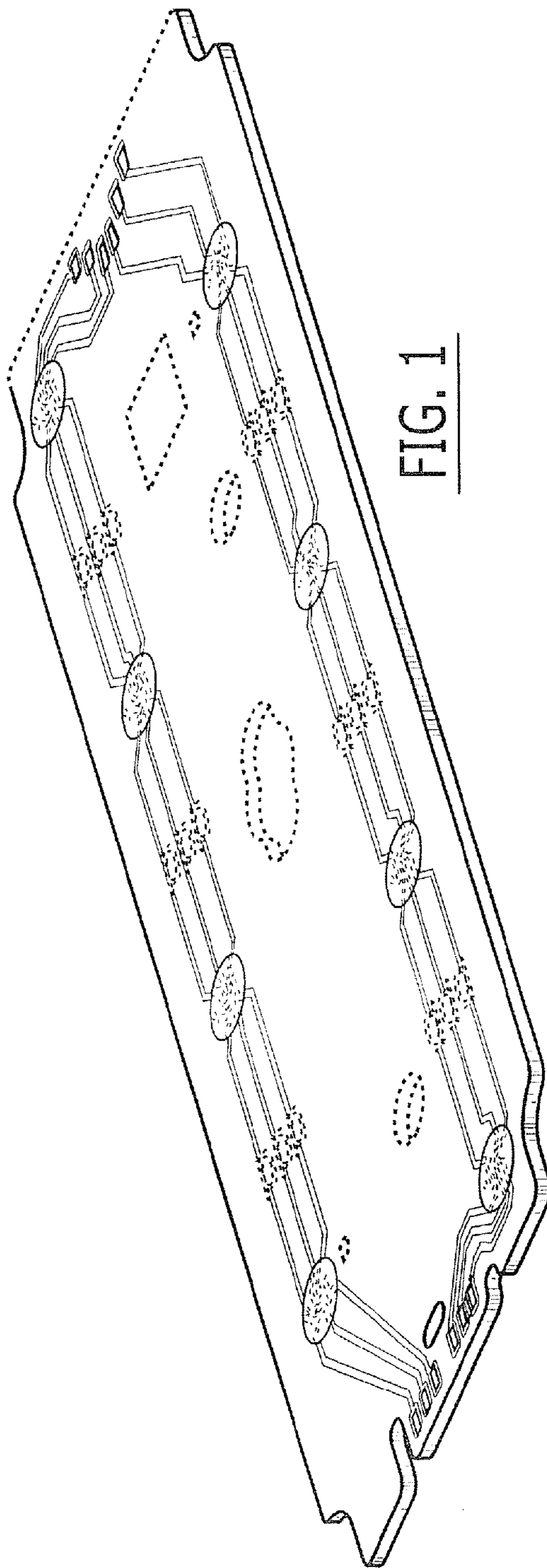


FIG. 1

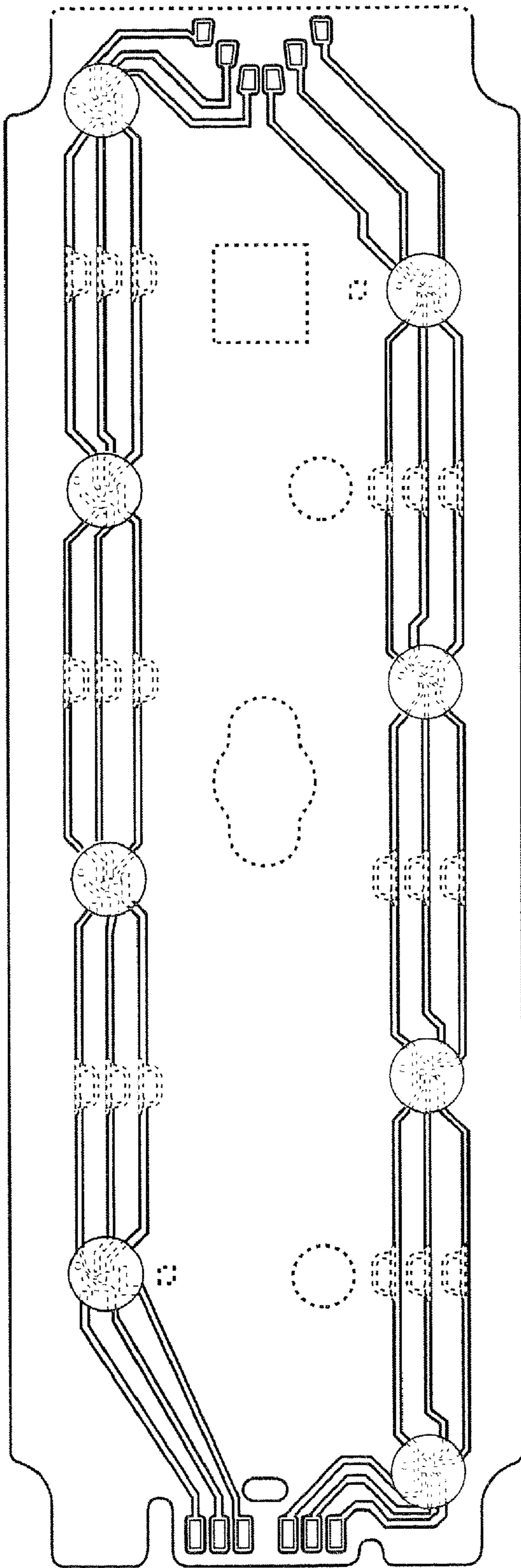


FIG. 2



FIG. 3

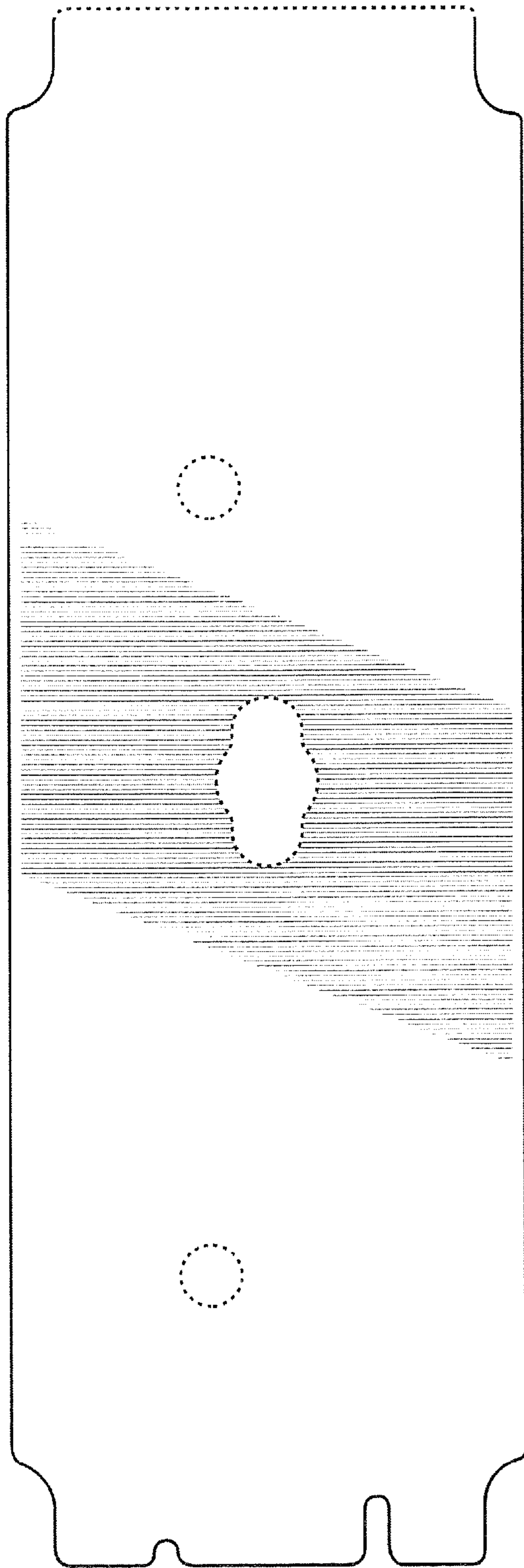


FIG. 4

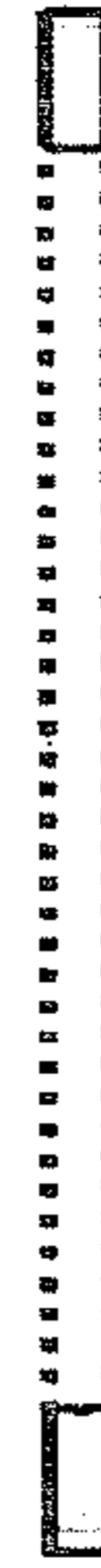


FIG. 6

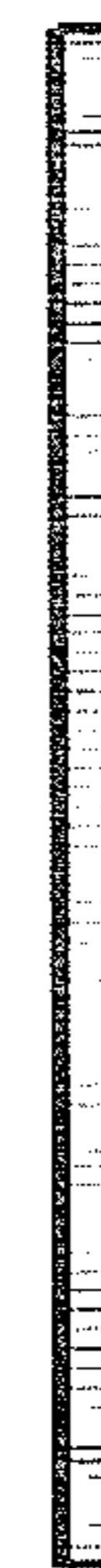


FIG. 5