



US00D585845S

(12) **United States Design Patent**
Dennes

(10) **Patent No.:** **US D585,845 S**

(45) **Date of Patent:** **** Feb. 3, 2009**

(54) **CONTACT ASSEMBLY**

(75) Inventor: **Wayne William Dennes**, Wyoming (AU)

(73) Assignee: **ADC GmbH**, Berlin (DE)

(**) Term: **14 Years**

(21) Appl. No.: **29/297,079**

(22) Filed: **Nov. 2, 2007**

(30) **Foreign Application Priority Data**

May 4, 2007 (AU) 17753/2007

(51) **LOC (9) Cl.** **13-03**

(52) **U.S. Cl.** **D13/175**

(58) **Field of Classification Search** D13/175;
439/402, 403

See application file for complete search history.

(56) **References Cited**

U.S. PATENT DOCUMENTS

- 4,171,857 A * 10/1979 Forberg et al. 439/402
- 4,333,700 A * 6/1982 Pugh, III 439/403
- 4,405,187 A 9/1983 Muller et al.
- 4,452,502 A 6/1984 Forberg et al.

- D299,822 S * 2/1989 Constable et al. D13/120
- 5,492,484 A 2/1996 Archer
- D401,217 S * 11/1998 Wirth D13/120
- 6,406,323 B2 6/2002 Shan

* cited by examiner

Primary Examiner—Brian N Vinson

(74) *Attorney, Agent, or Firm*—Merchant & Gould P.C.

(57) **CLAIM**

The ornamental design for the contact assembly, as shown and described.

DESCRIPTION

FIG. 1 is a front view of a contact assembly showing my design;

FIG. 2 is a rear view thereof;

FIG. 3 is a first side view thereof;

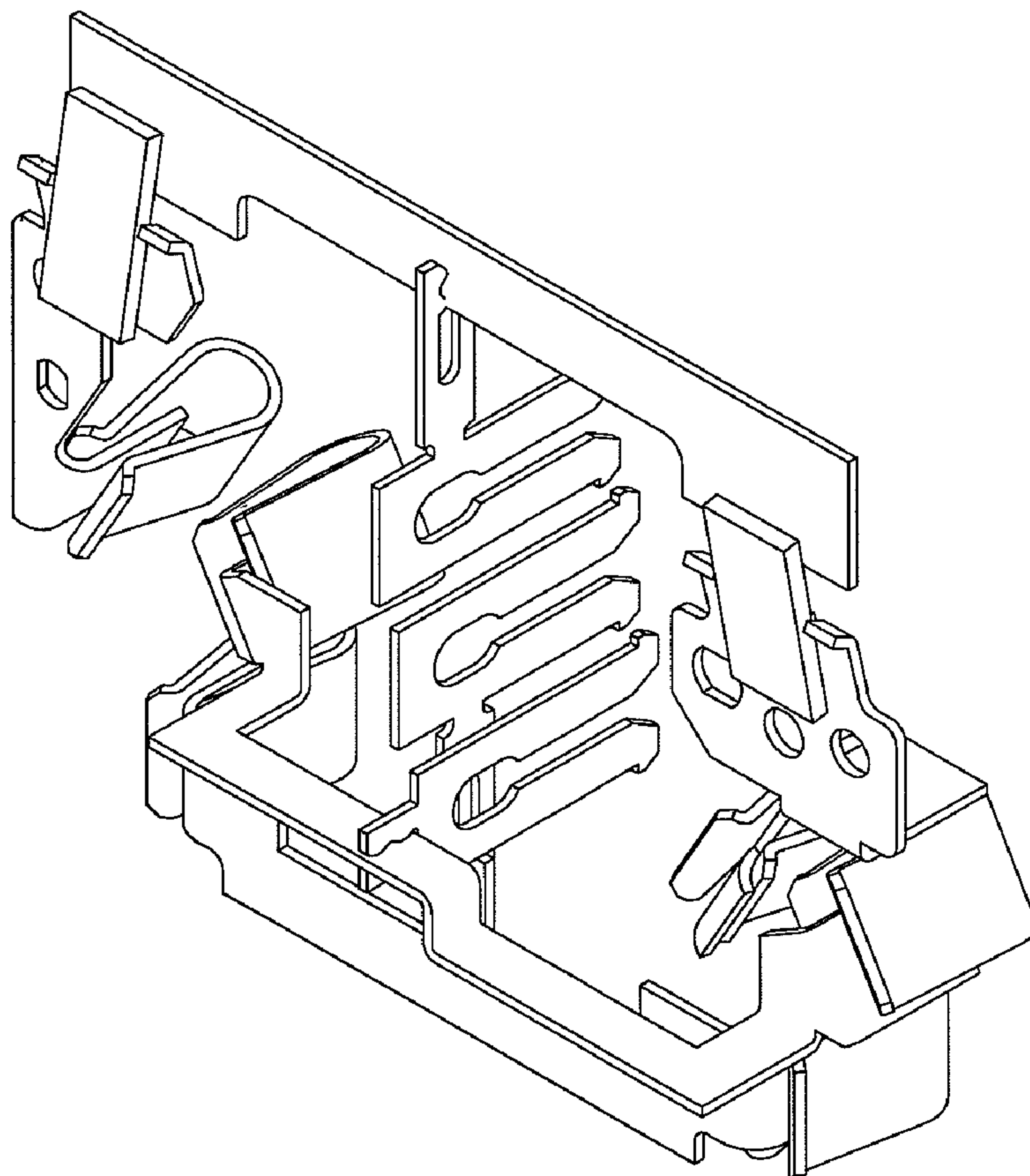
FIG. 4 is a second side view thereof;

FIG. 5 is a first end view thereof;

FIG. 6 is a second end view thereof; and,

FIG. 7 is a perspective view thereof.

1 Claim, 4 Drawing Sheets



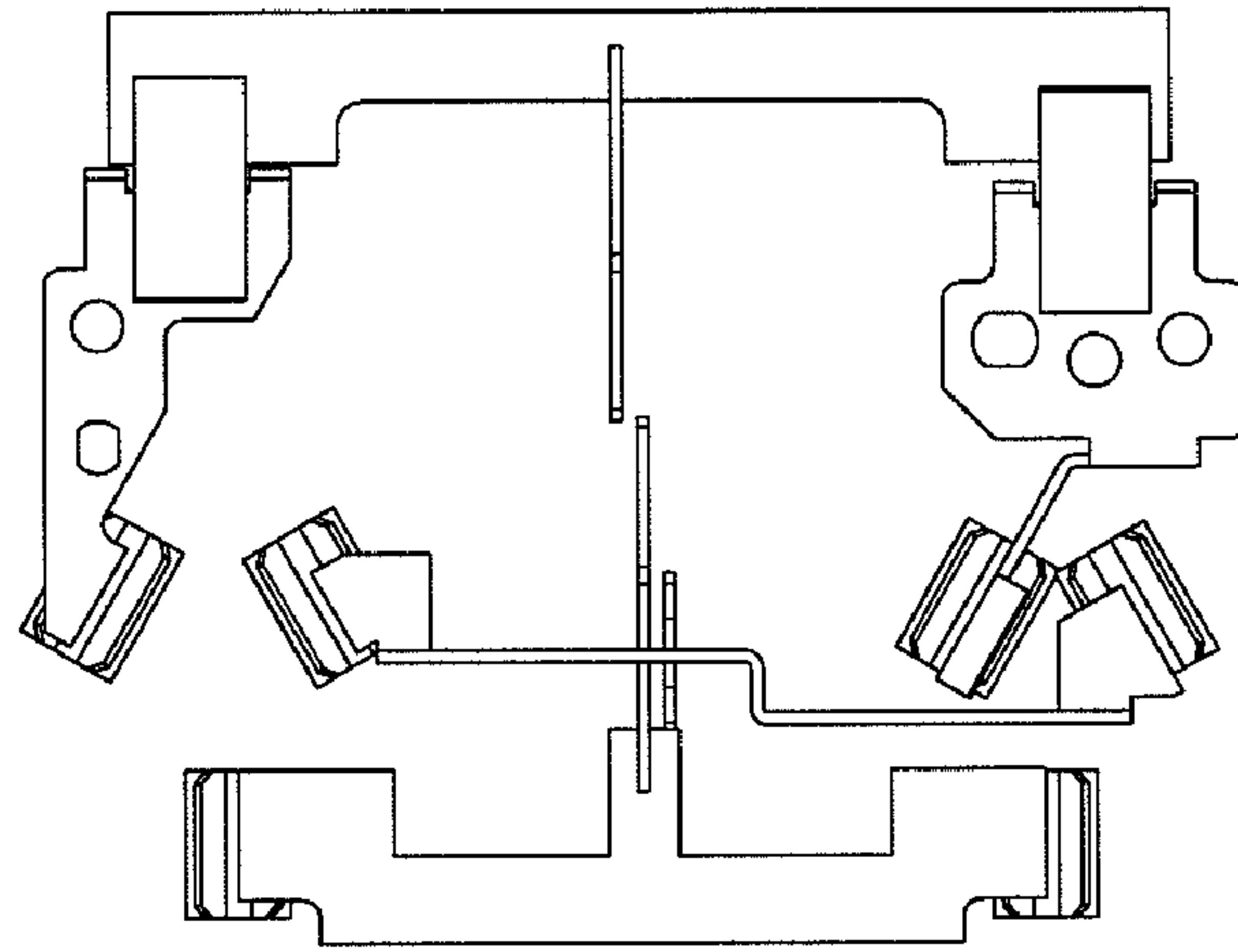


Figure 1

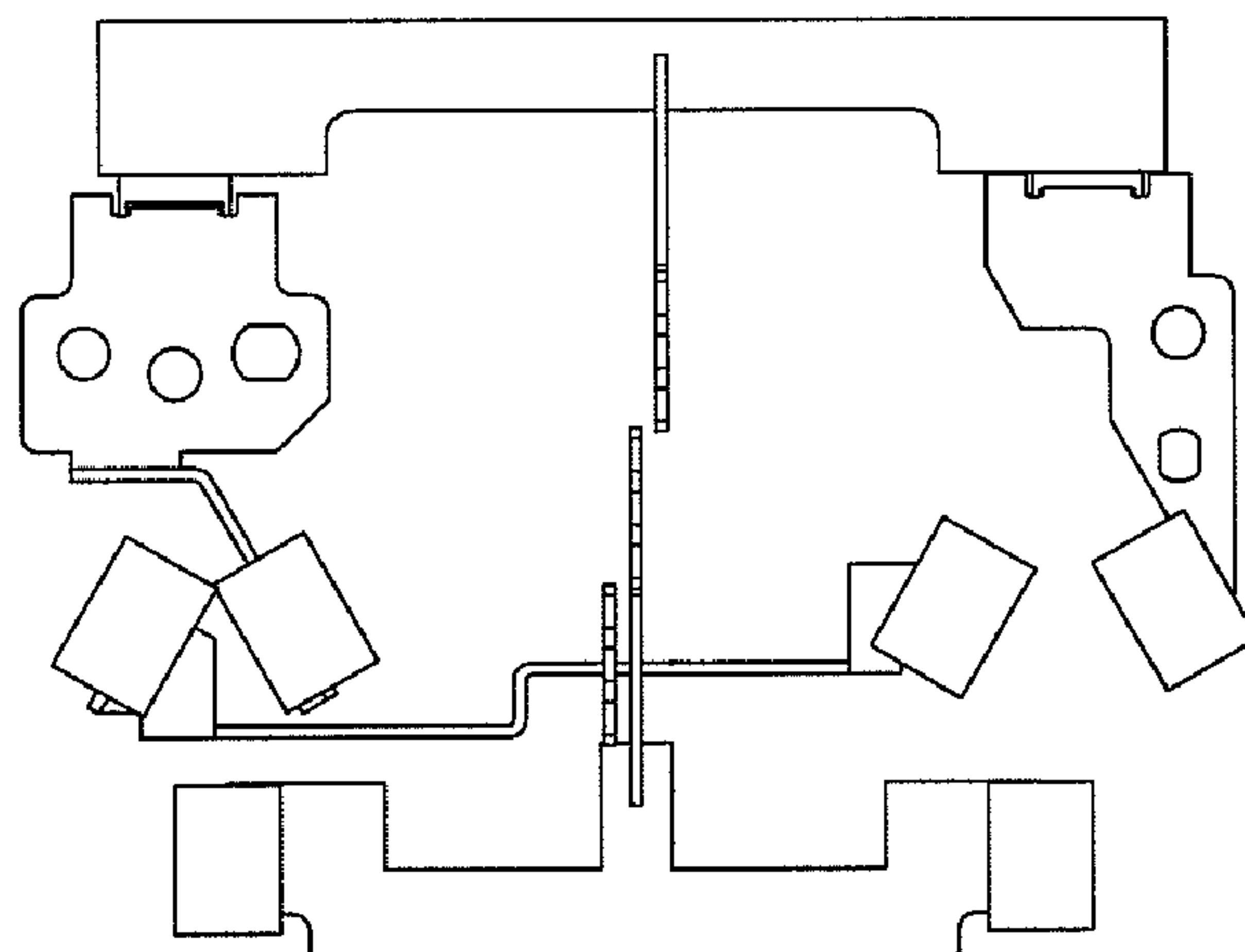


Figure 2

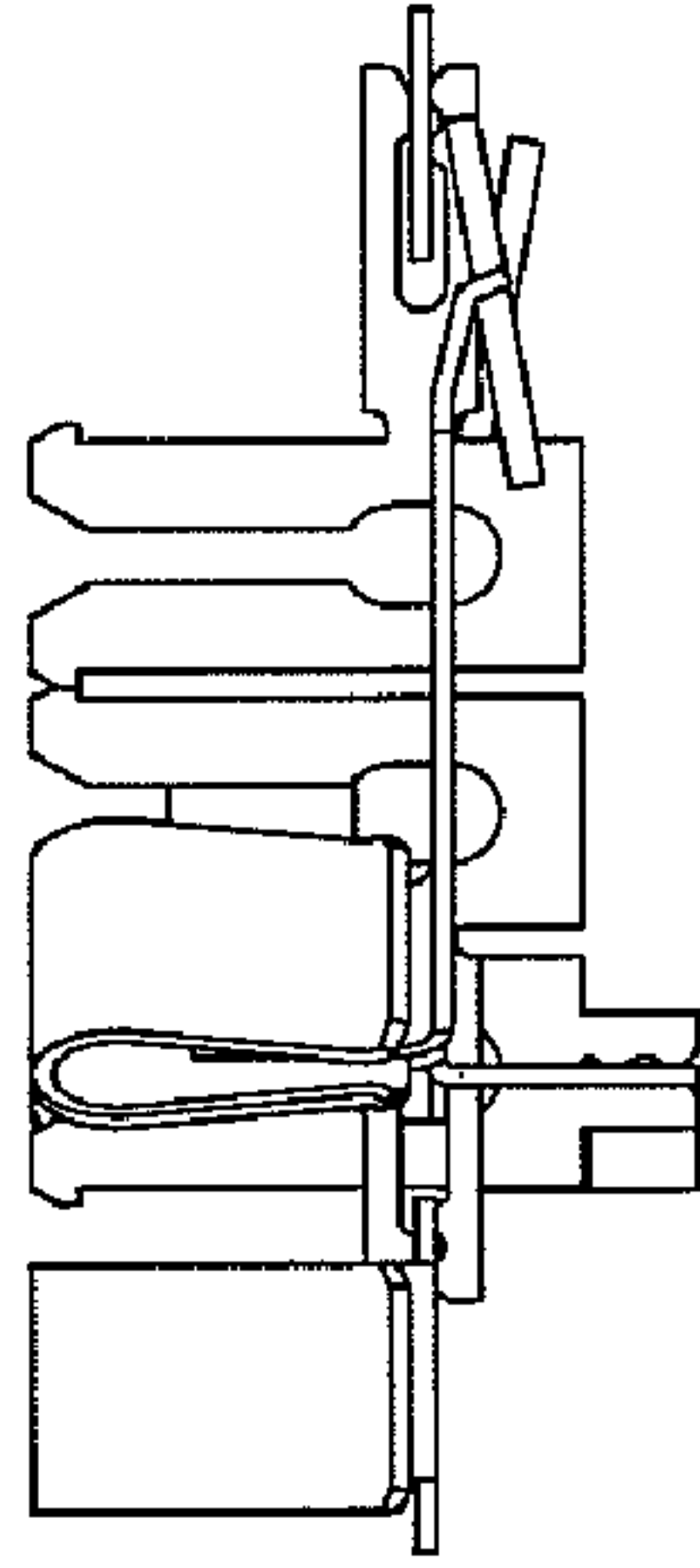


Figure 3

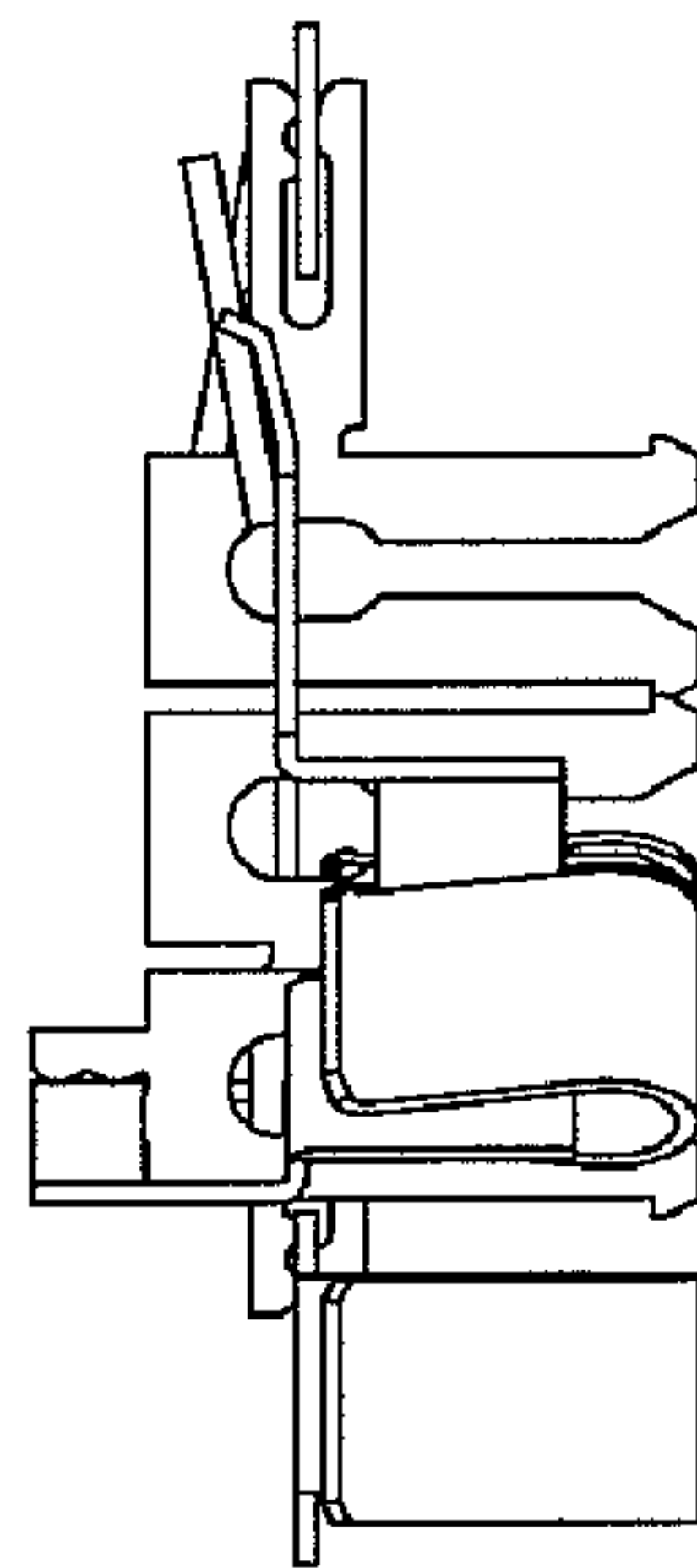


Figure 4

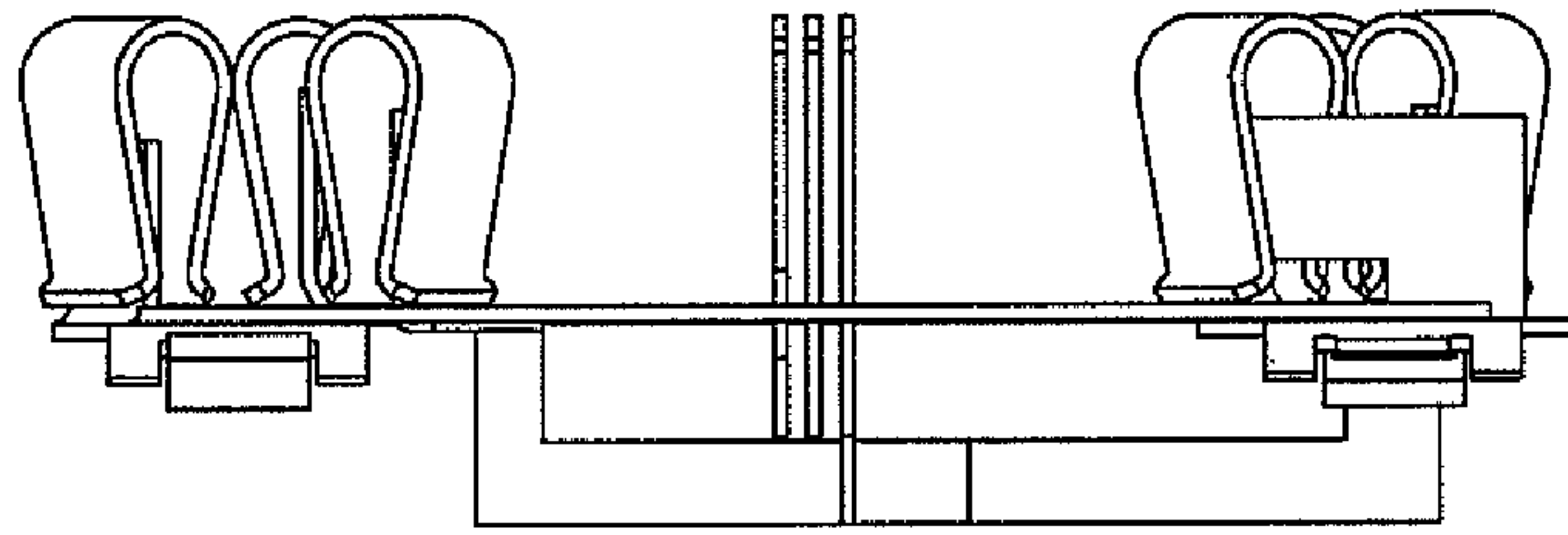


Figure 5

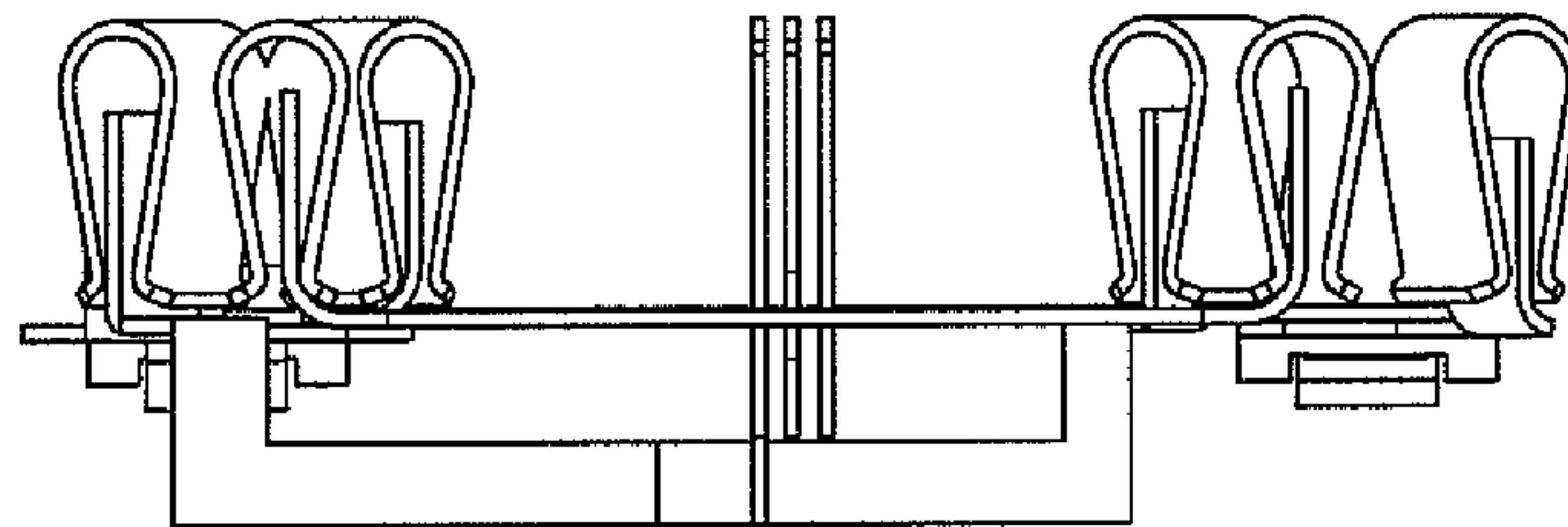


Figure 6

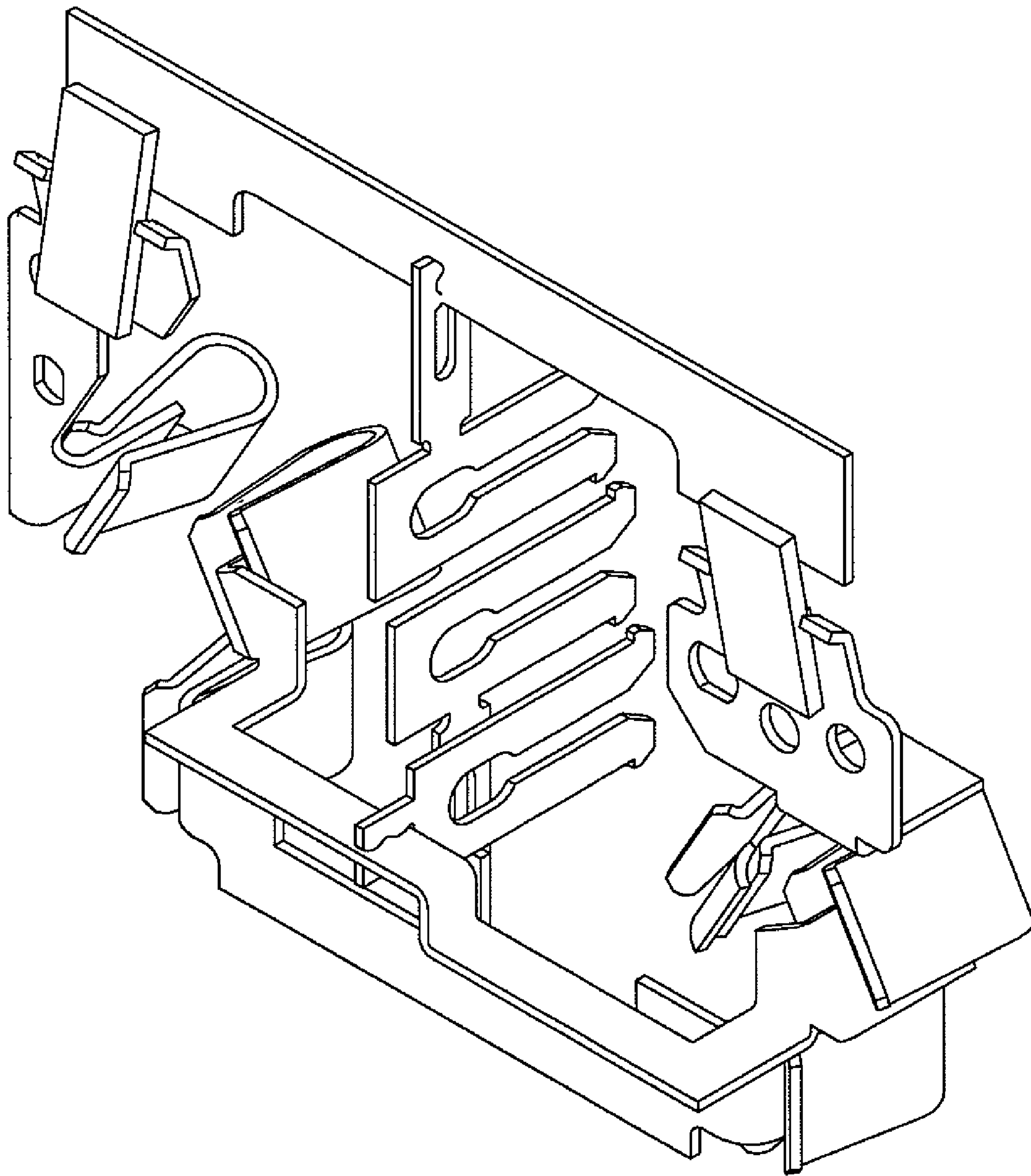


Figure 7