



US00D585844S

(12) **United States Design Patent**
Bhate et al.

(10) **Patent No.:** **US D585,844 S**
(45) **Date of Patent:** **** Feb. 3, 2009**

(54) **SWITCH**

(75) Inventors: **Nikhil Vithal Bhate**, East Norriton, PA (US); **Thomas E. Hibshman**, Allentown, PA (US)

(73) Assignee: **Lutron Electronics Co., Inc.**, Coopersburg, PA (US)

(**) Term: **14 Years**

(21) Appl. No.: **29/296,207**

(22) Filed: **Oct. 16, 2007**

Related U.S. Application Data

(62) Division of application No. 29/269,808, filed on Dec. 8, 2006, now Pat. No. Des. 558,686.

(51) **LOC (9) Cl.** **13-03**

(52) **U.S. Cl.** **D13/173; D13/162; D13/164**

(58) **Field of Classification Search** D13/125, D13/158, 162, 164, 169, 170, 171, 184, 199; 160/120, 262, 310, 331; 174/66; 248/266, 248/7; 307/112, 115, 125, 139, 157, 31; 315/112, 149, 194, 159, 291-296, 307, 200 R, 315/244

See application file for complete search history.

(56) **References Cited**

U.S. PATENT DOCUMENTS

D320,786 S	10/1991	Darnell et al.
D412,491 S	8/1999	Mayo et al.
D456,783 S	5/2002	Bennett et al.
D475,024 S	5/2003	Bennett et al.
D487,429 S	3/2004	Bennett et al.
D490,061 S	5/2004	Bennett et al.
D541,221 S	4/2007	Spira
D541,755 S	5/2007	Spira

OTHER PUBLICATIONS

- U.S. Appl. No. 29/254,338, filed Feb. 22, 2006, Spira.
- U.S. Appl. No. 29/260,536, filed May 26, 2006, Blair et al.
- U.S. Appl. No. 29/269,721, filed Dec. 7, 2006, Hewson et al.
- U.S. Appl. No. 29/281,195, filed Jun. 18, 2007, Biery et al.
- U.S. Appl. No. 29/283,751, filed Aug. 22, 2007, Spira.
- U.S. Appl. No. 29/296,204, filed Oct. 16, 2007, Bhate et al.

Primary Examiner—Daniel D Bui
Assistant Examiner—Thomas J Johannes
(74) *Attorney, Agent, or Firm*—Mark E. Rose

(57) **CLAIM**

We claim the ornamental design for a switch, as shown and described.

DESCRIPTION

FIG. 1 is a perspective view of a switch according to a first embodiment of our new design.

FIG. 2 is a front view thereof.

FIG. 3 is a left side view thereof.

FIG. 4 is a right side view thereof.

FIG. 5 is a top view thereof.

FIG. 6 is a bottom view thereof.

FIG. 7 is a perspective view of a switch according to a second embodiment of our new design.

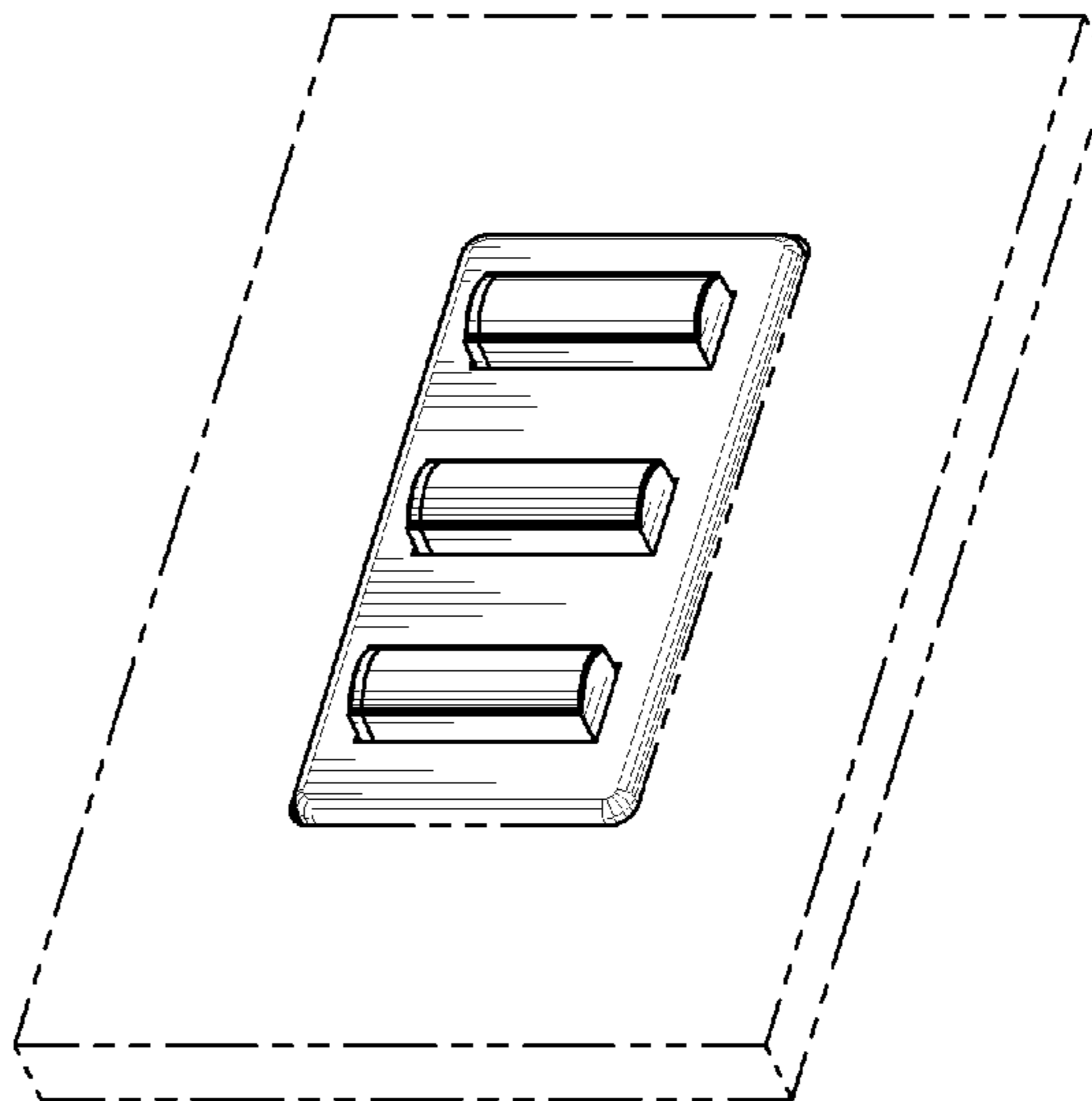
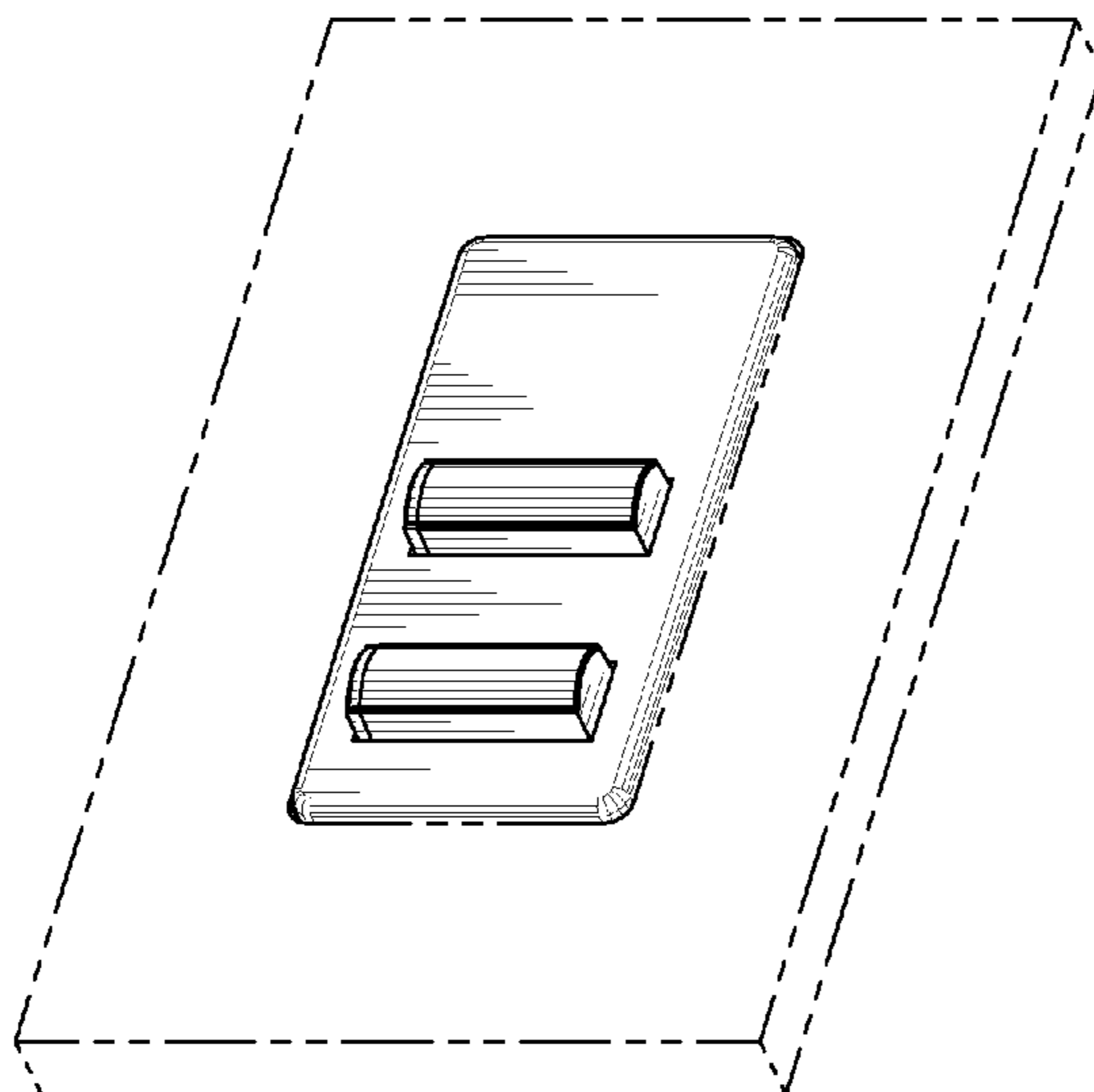
FIG. 8 is a front view thereof.

FIG. 9 is a left side view thereof; and,

FIG. 10 is a right side view thereof, the top and bottom views, respectively, of the second embodiment being identical to the top and bottom views of the first embodiment.

The rear views form no part of the design and are omitted. The portions of the drawings appearing in broken line are for environment only and do not form a part of the design.

1 Claim, 7 Drawing Sheets



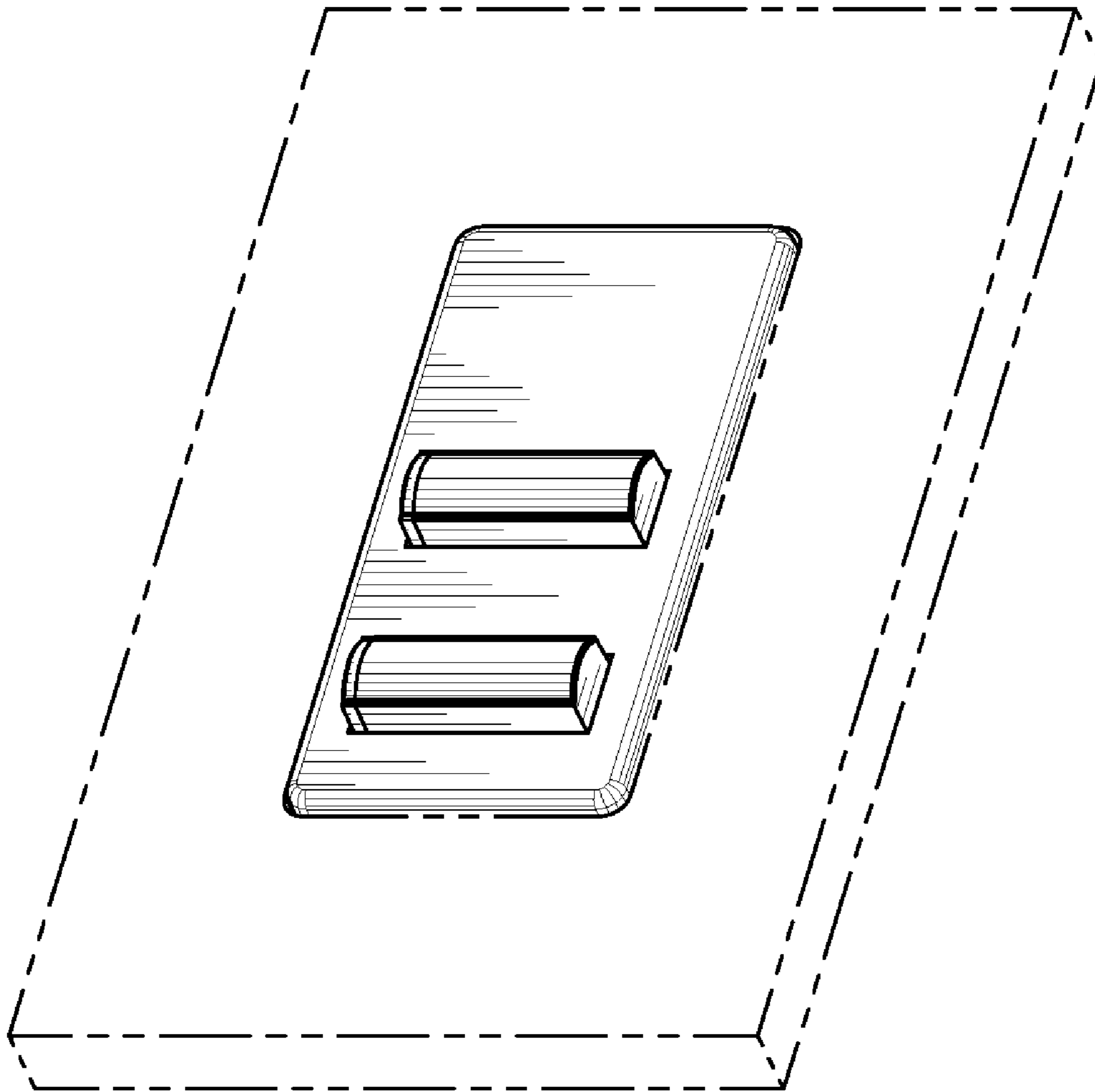


Fig. 1

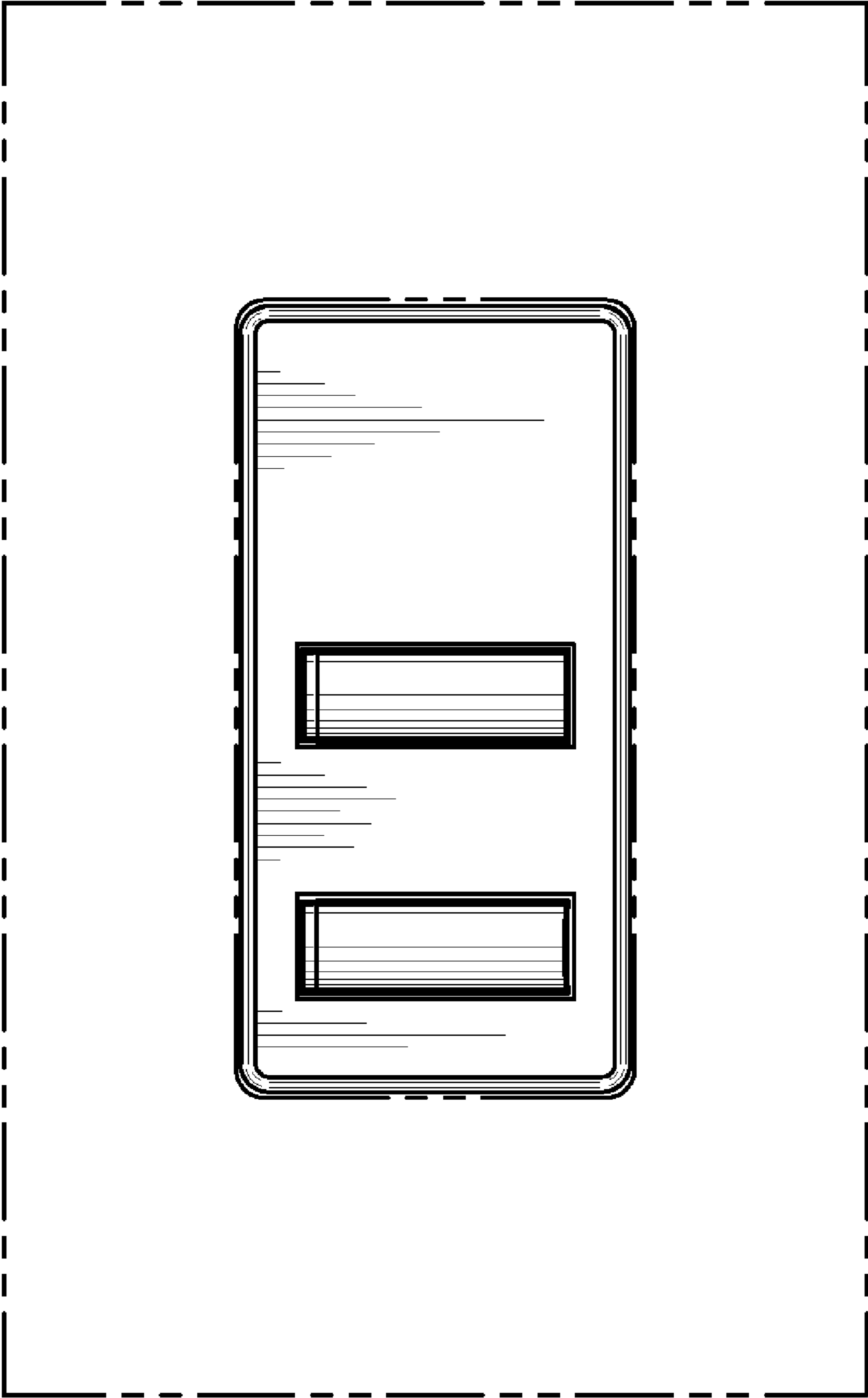


Fig. 2

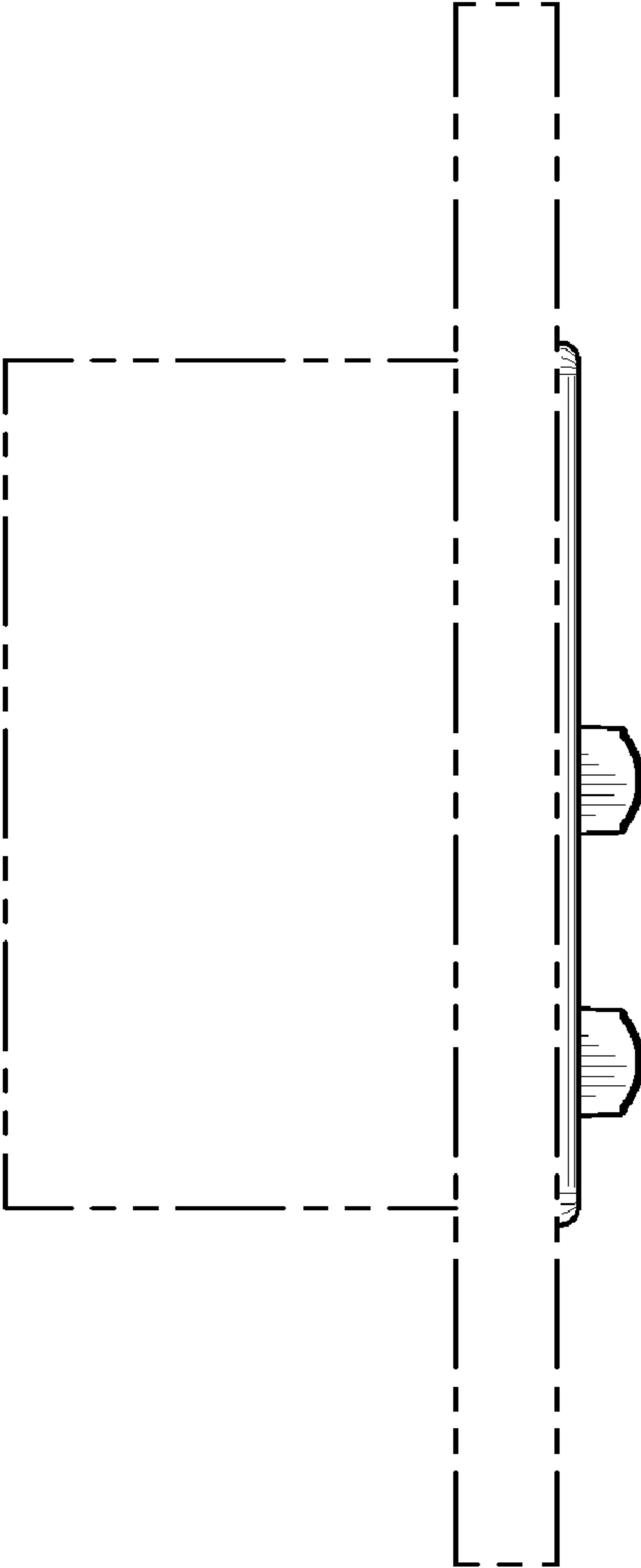


Fig. 3

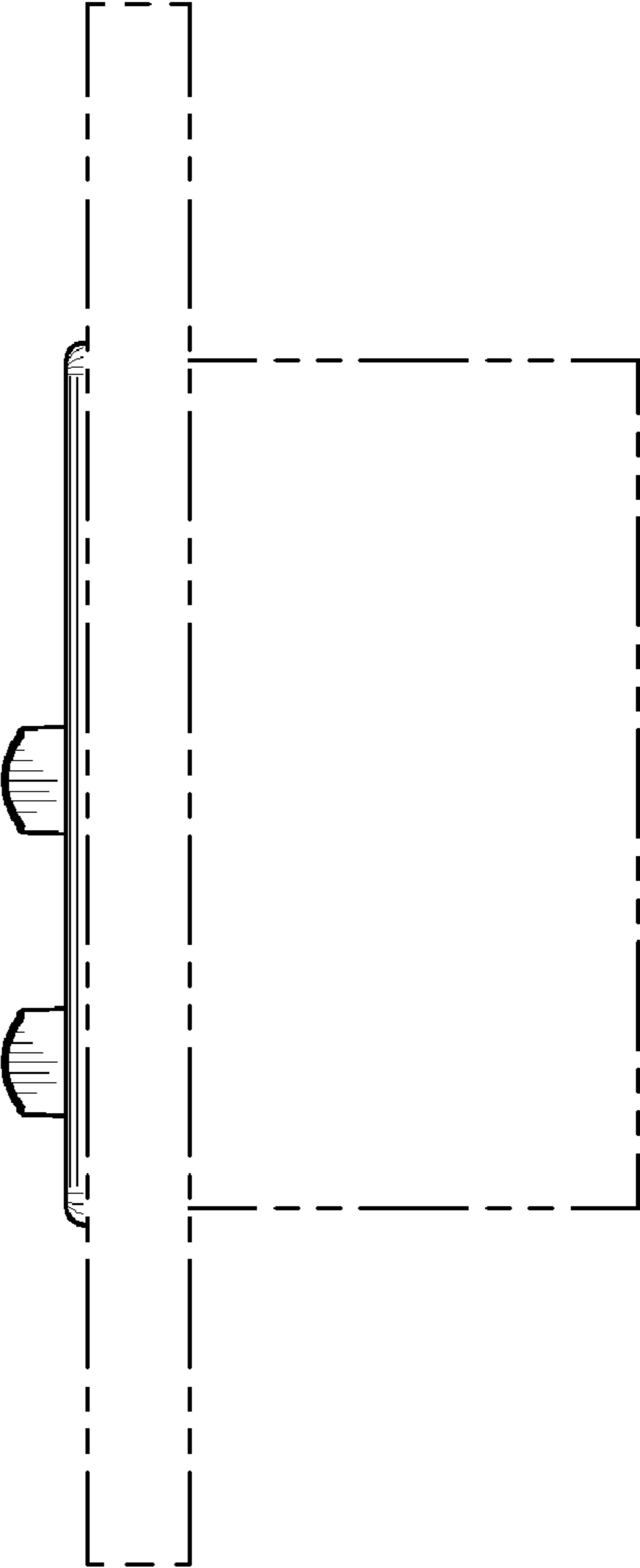


Fig. 4

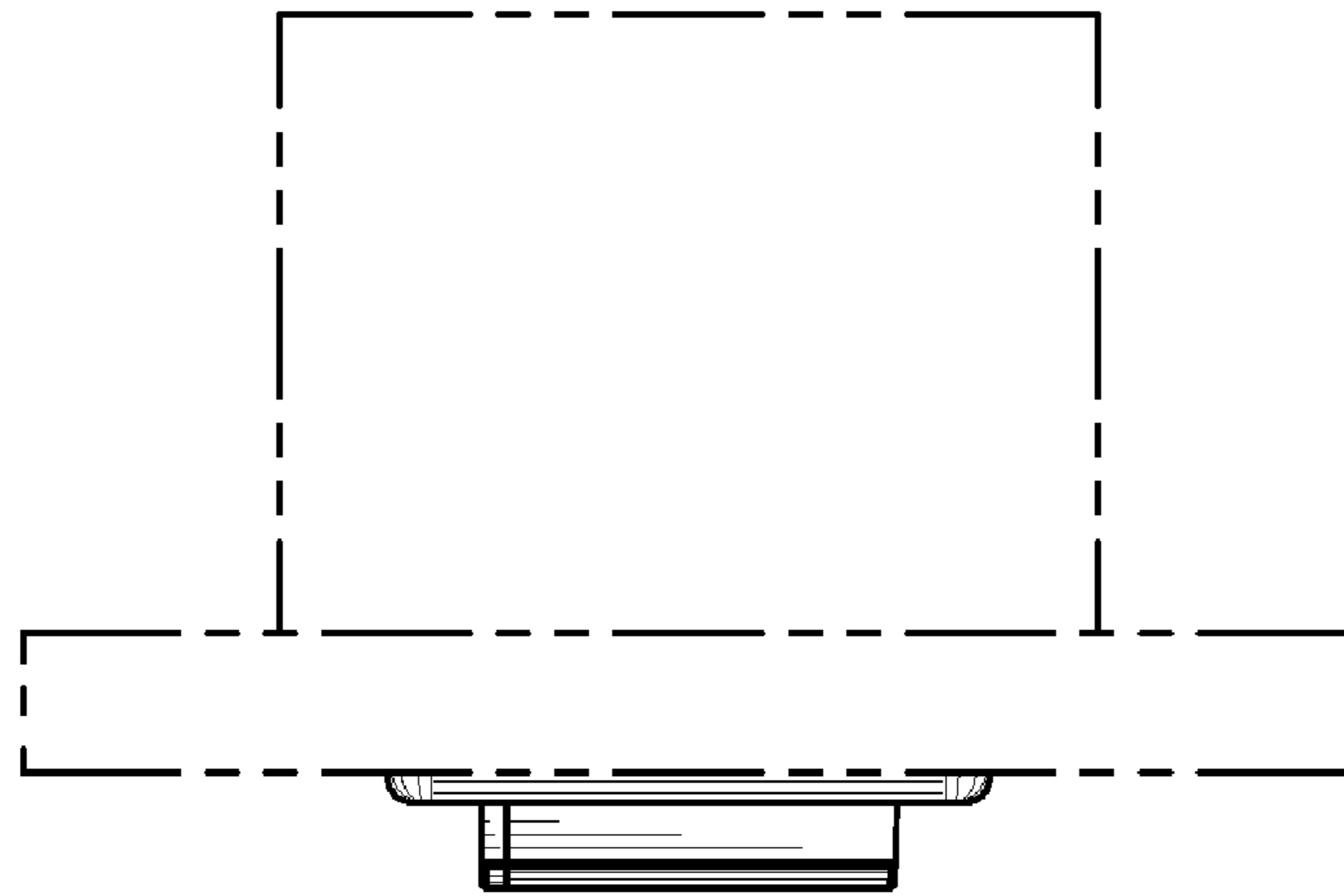


Fig. 5

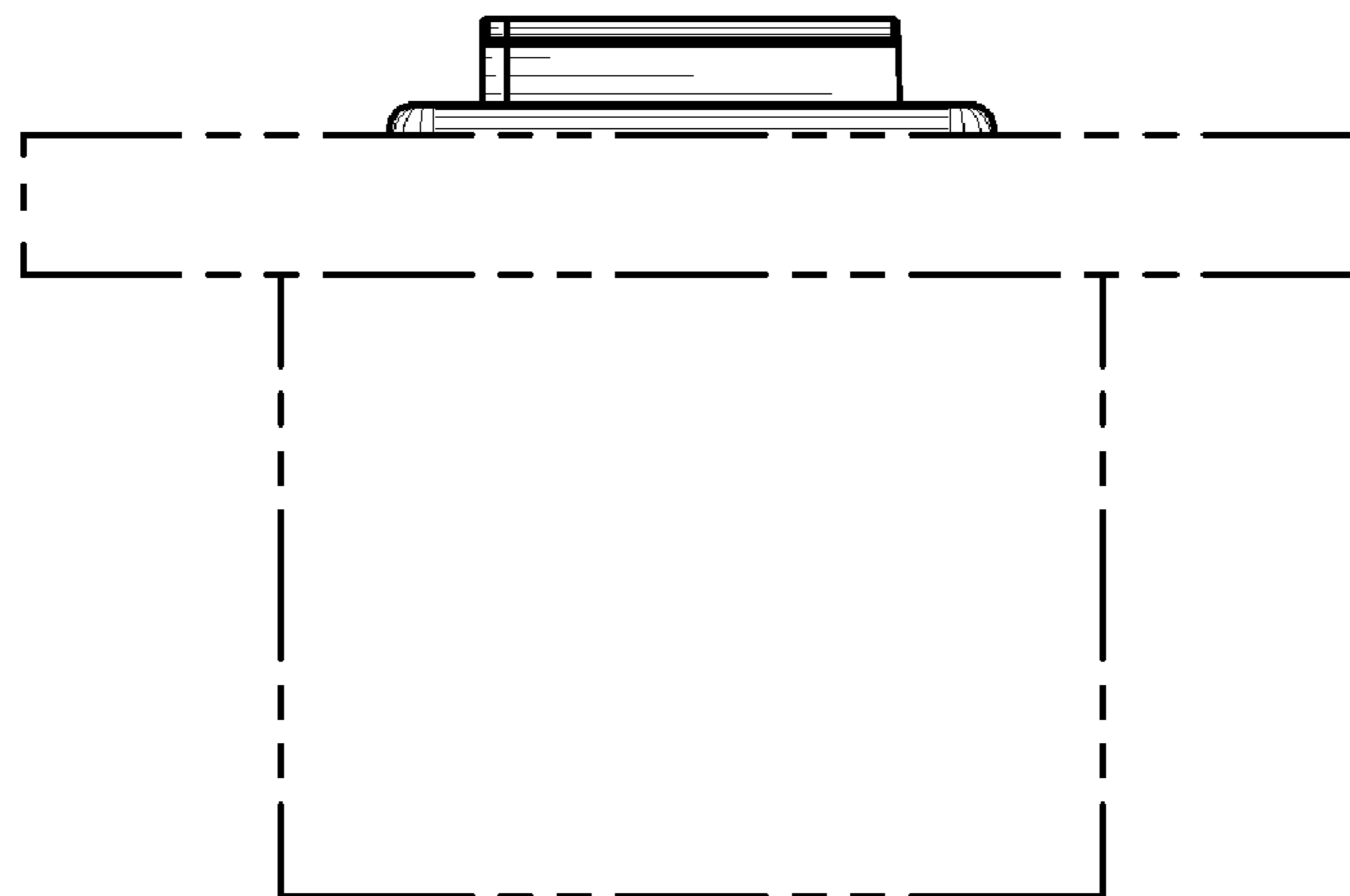


Fig. 6

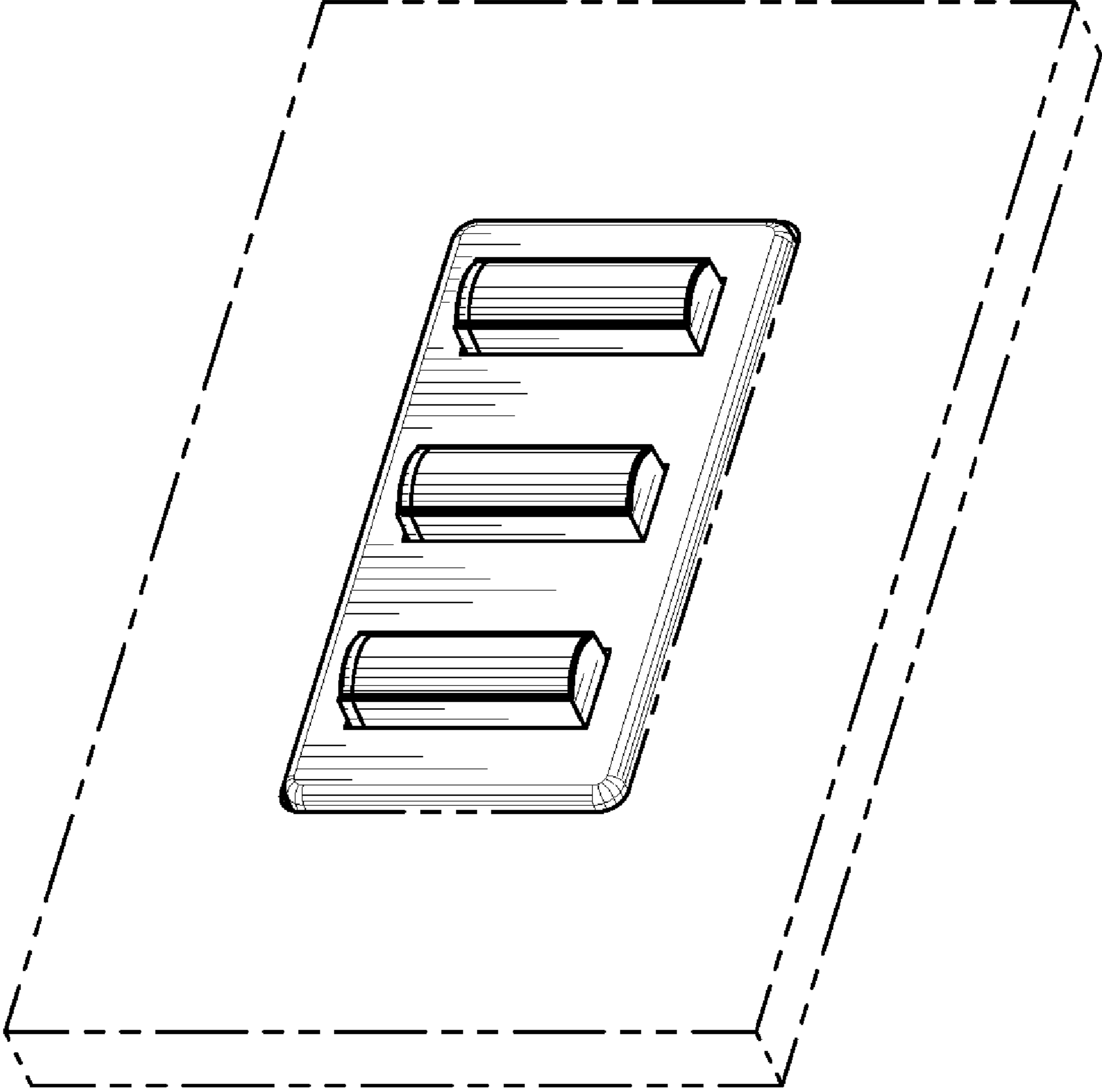


Fig. 7

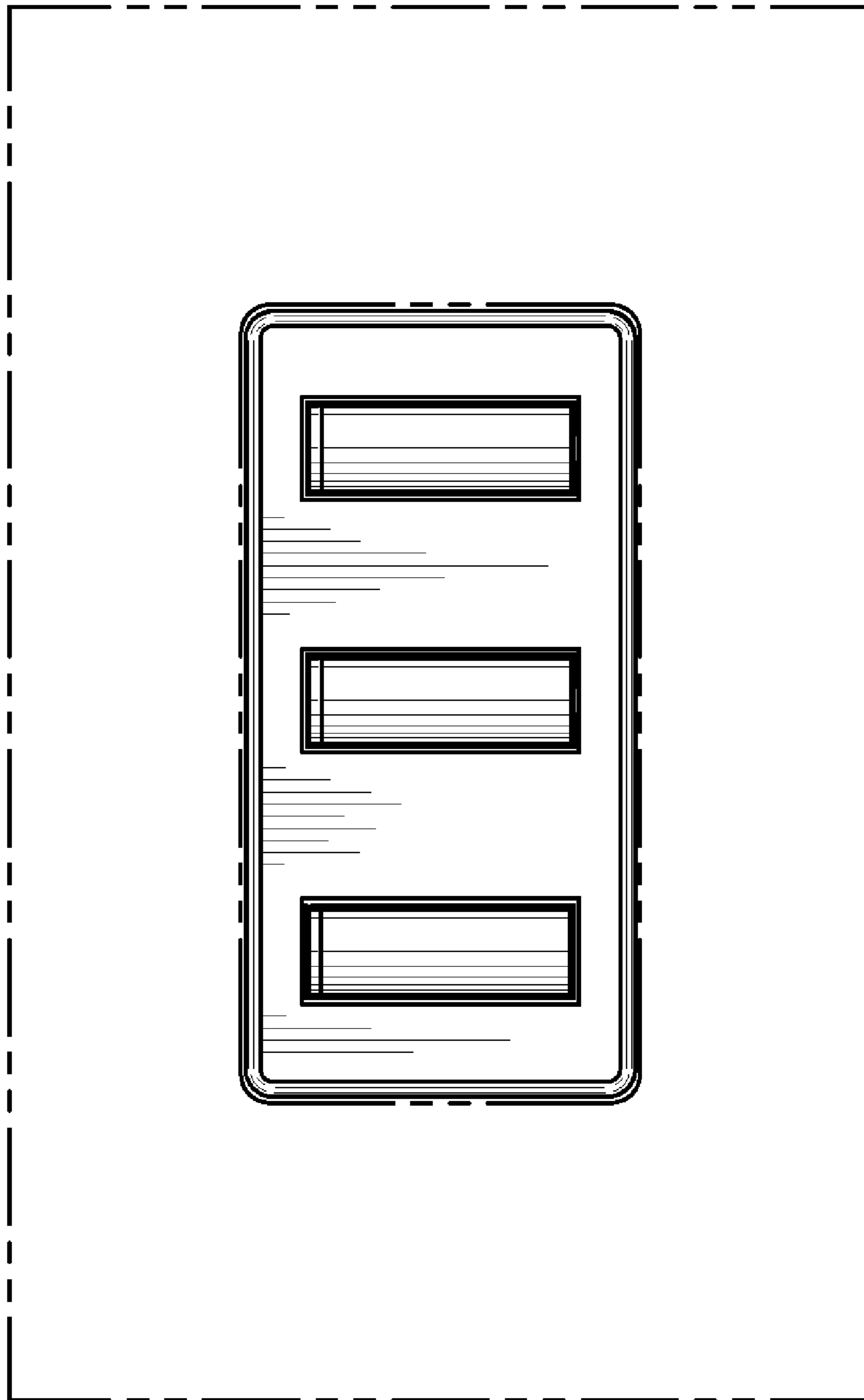


Fig. 8

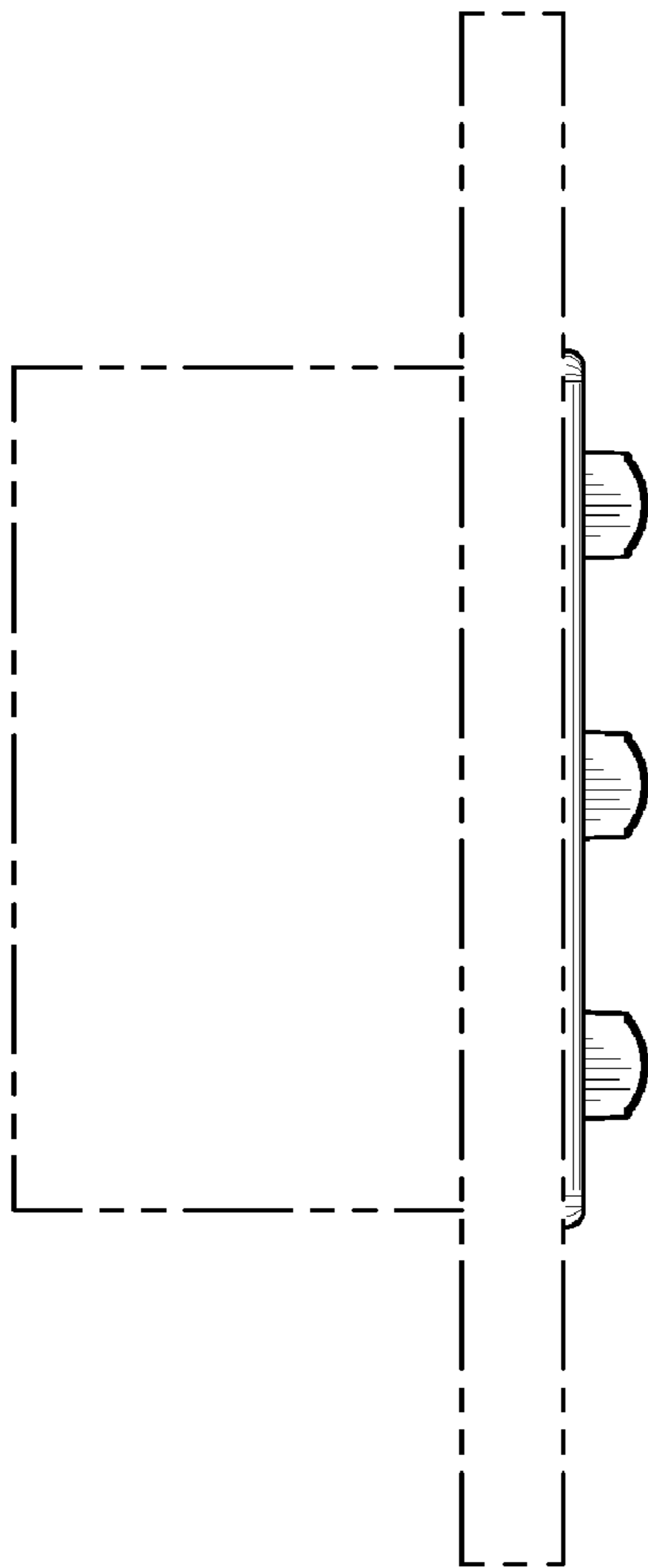


Fig. 9

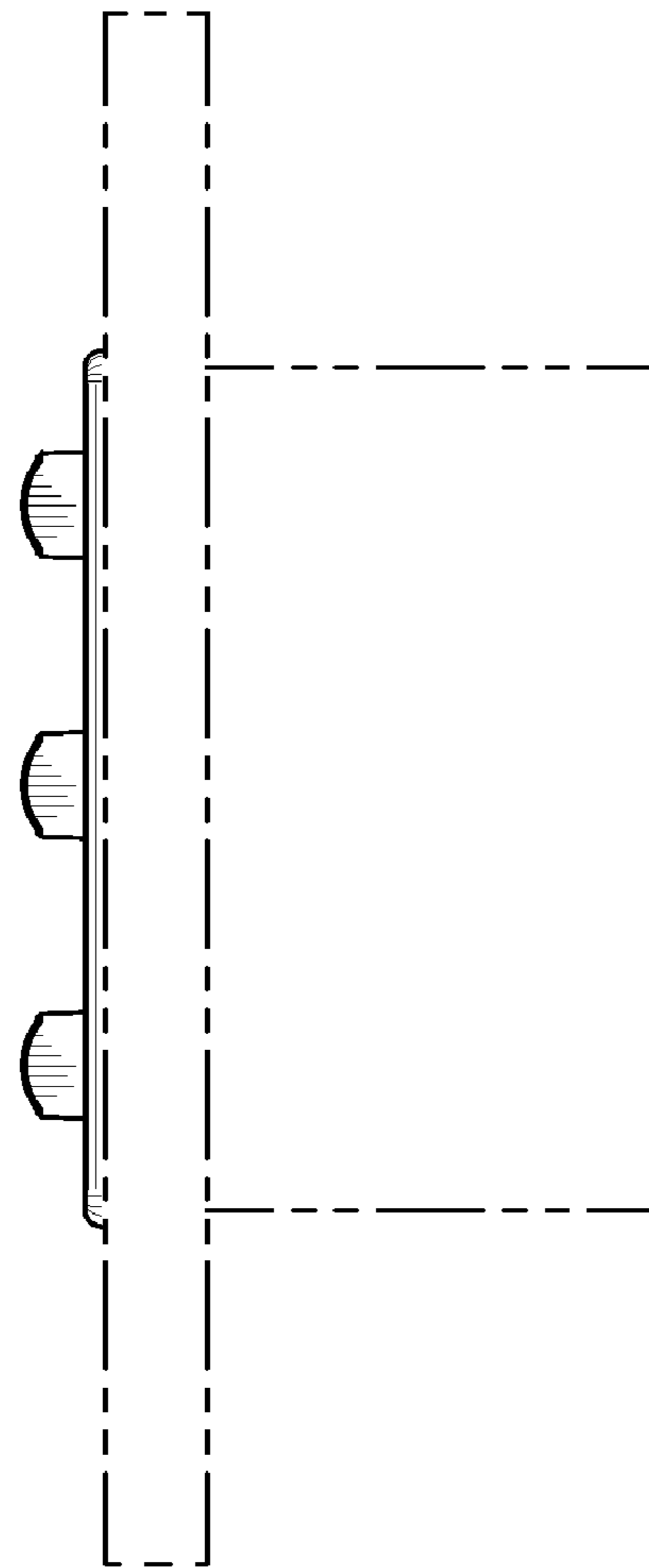


Fig. 10