



US00D585842S

(12) **United States Design Patent**
Kagami et al.

(10) **Patent No.:** **US D585,842 S**

(45) **Date of Patent:** **** Feb. 3, 2009**

(54) **ACTUATOR**

(75) Inventors: **Masaharu Kagami**, Tokyo (JP);
Yasutaka Kitamura, Tokyo (JP);
Shigenori Inamoto, Tokyo (JP)

(73) Assignee: **Mitsumi Electric Co., Ltd**, Tokyo (JP)

(**) Term: **14 Years**

(21) Appl. No.: **29/304,276**

(22) Filed: **Feb. 28, 2008**

(30) **Foreign Application Priority Data**

Aug. 29, 2007 (JP) 2007-023408

(51) **LOC (9) Cl.** **13-03**

(52) **U.S. Cl.** **D13/171; D13/158**

(58) **Field of Classification Search** D13/158,
D13/171; 174/66; 200/5 R, 5 A, 1 B, 293,
200/296, 329, 406, 513, 520, 530, 302.1,
200/302.2, 314, 315, 341, 344; 315/291-296;
338/198-200

See application file for complete search history.

(56) **References Cited**

U.S. PATENT DOCUMENTS

4,822,959 A * 4/1989 Schwab 200/5 A
5,430,262 A * 7/1995 Matsui et al. 200/5 A

5,877,463 A * 3/1999 Choi 200/4
6,492,602 B2 * 12/2002 Asai et al. 200/1 B
6,831,238 B1 * 12/2004 Lau 200/6 A
7,019,225 B2 * 3/2006 Matsumoto et al. 200/5 R
2002/0166754 A1 * 11/2002 Ohba et al. 200/4

* cited by examiner

Primary Examiner—Selina Sikder

(74) *Attorney, Agent, or Firm*—Sughrue Mion, PLLC

(57) **CLAIM**

The ornamental design for an actuator, as shown and described.

DESCRIPTION

FIG. 1 is a perspective view of the top, front and right side of an actuator showing our new design;

FIG. 2 is a front elevational view thereof;

FIG. 3 is a rear elevational view thereof;

FIG. 4 is a right side elevational view thereof;

FIG. 5 is a left side elevational view thereof;

FIG. 6 is a top plan view thereof;

FIG. 7 is a bottom plan view thereof; and,

FIG. 8 is a perspective view thereof while in use.

The portions shown in broken lines are for illustrative purposes only and form no part of the claimed design.

1 Claim, 4 Drawing Sheets

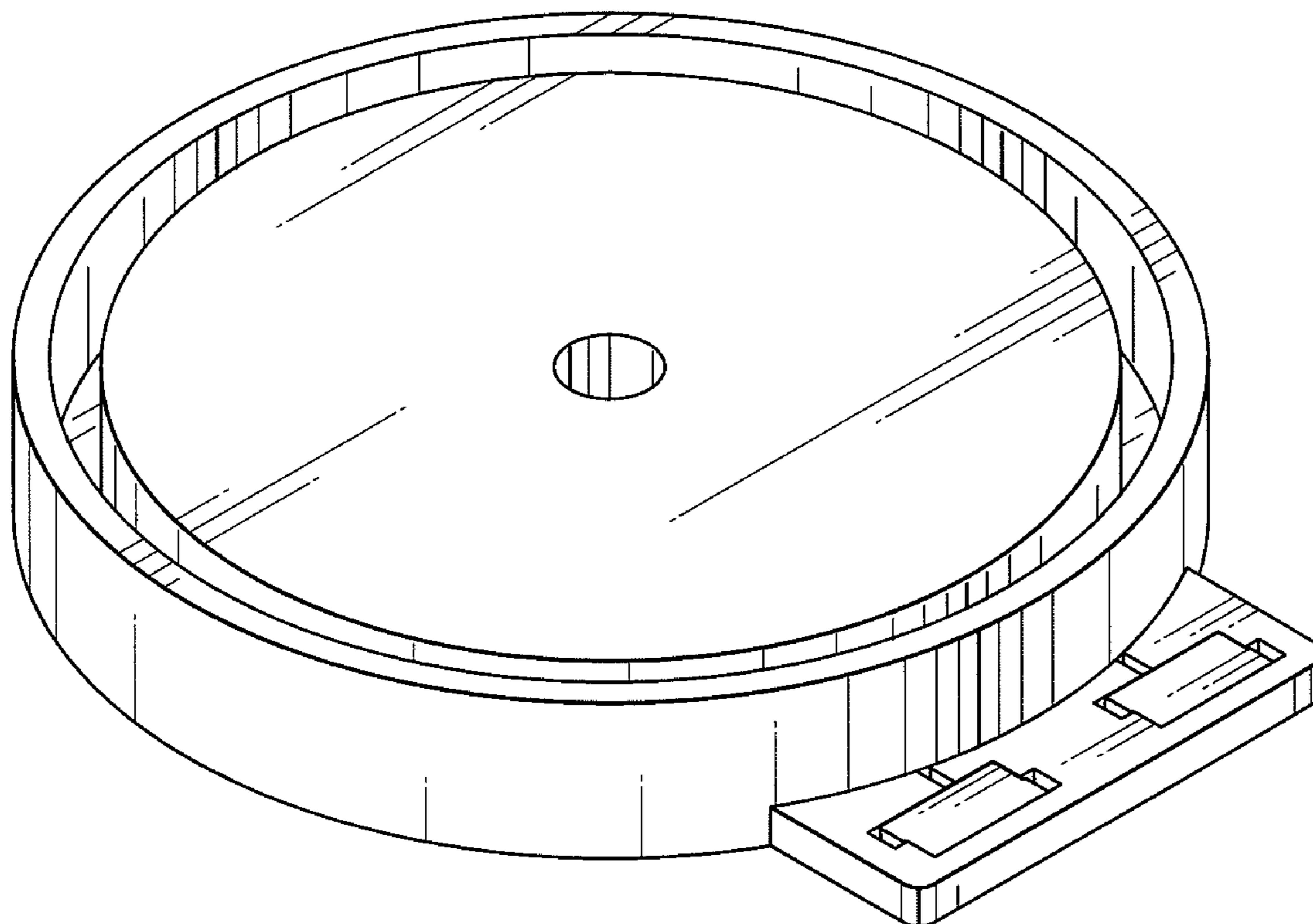


FIG. 1

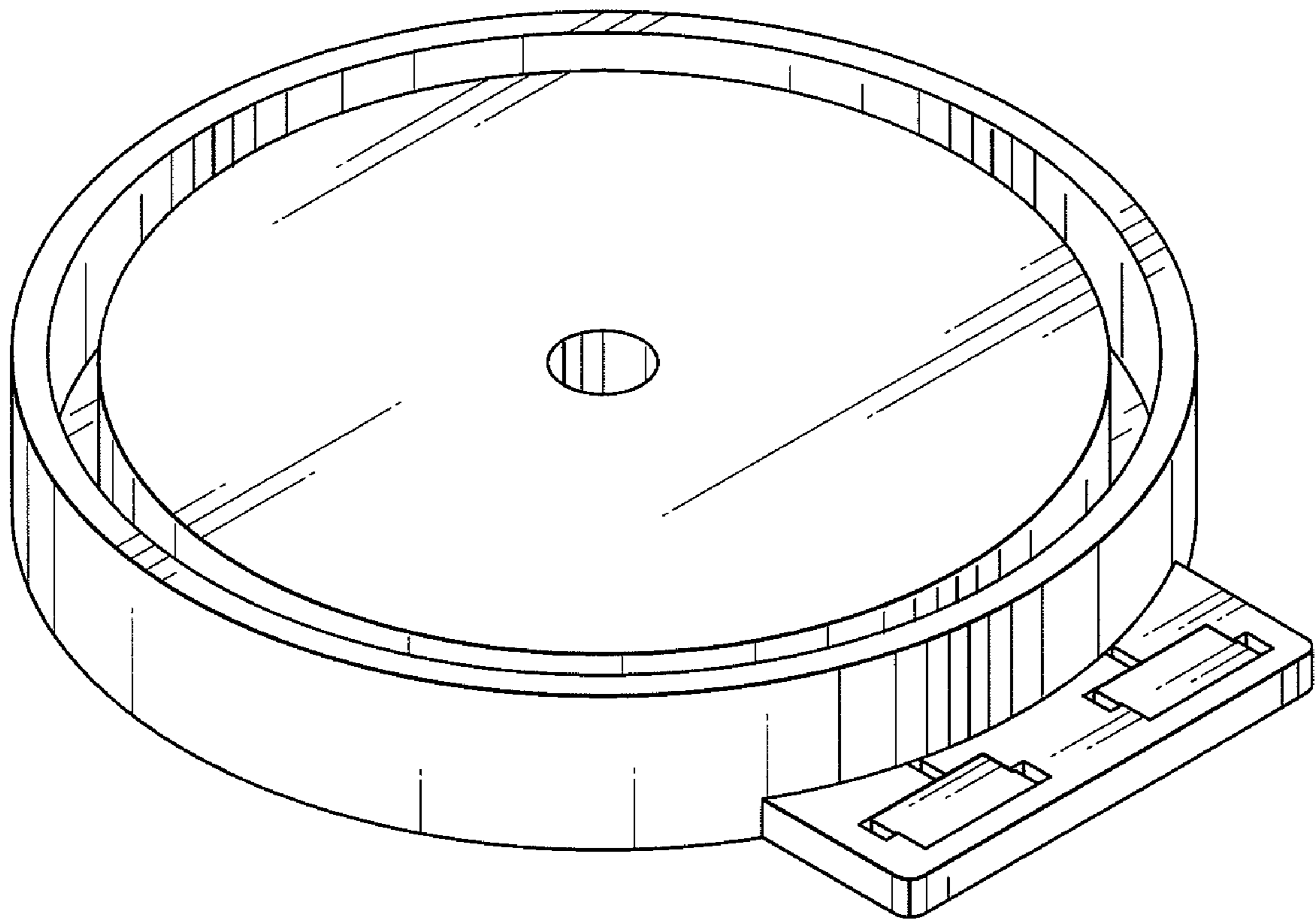


FIG.2

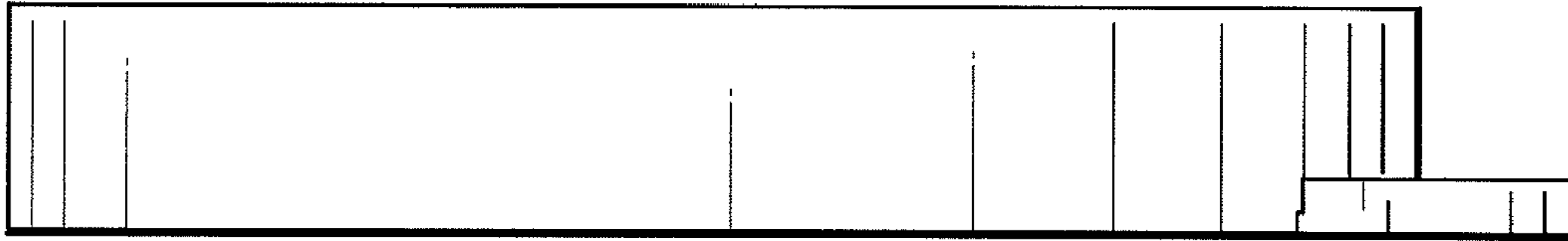


FIG.3

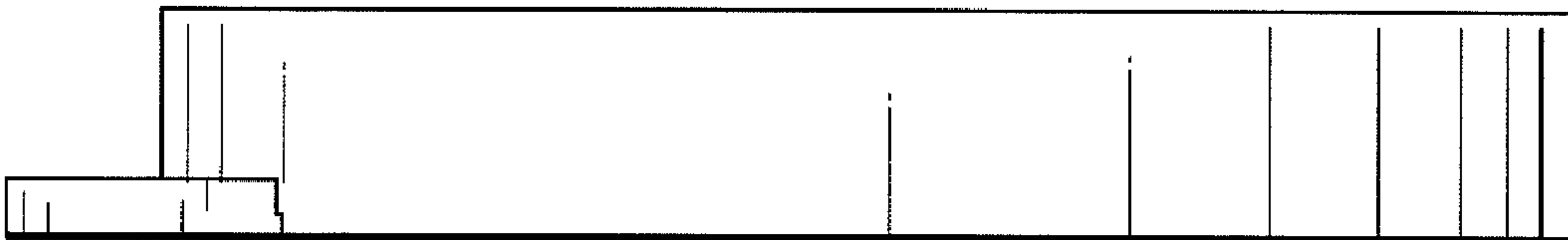


FIG.4

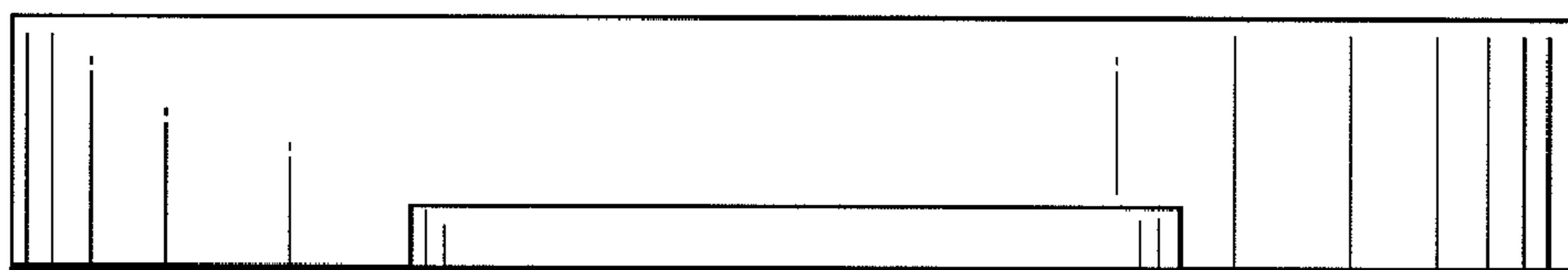


FIG.5

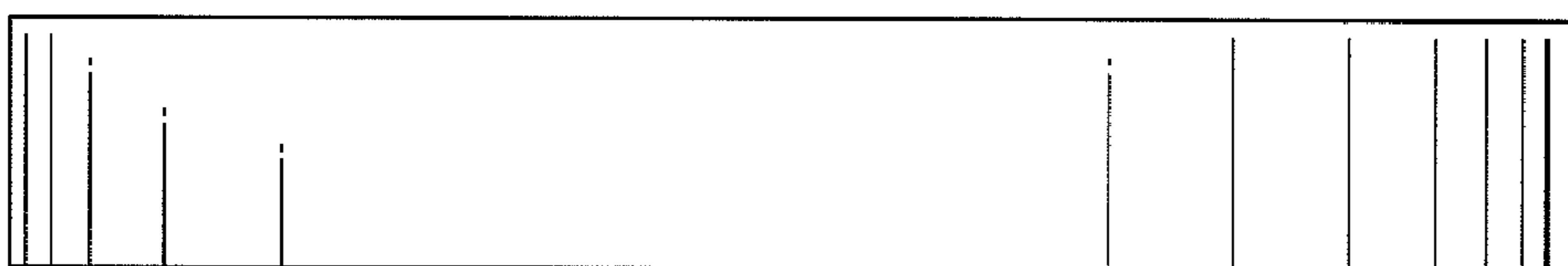


FIG.6

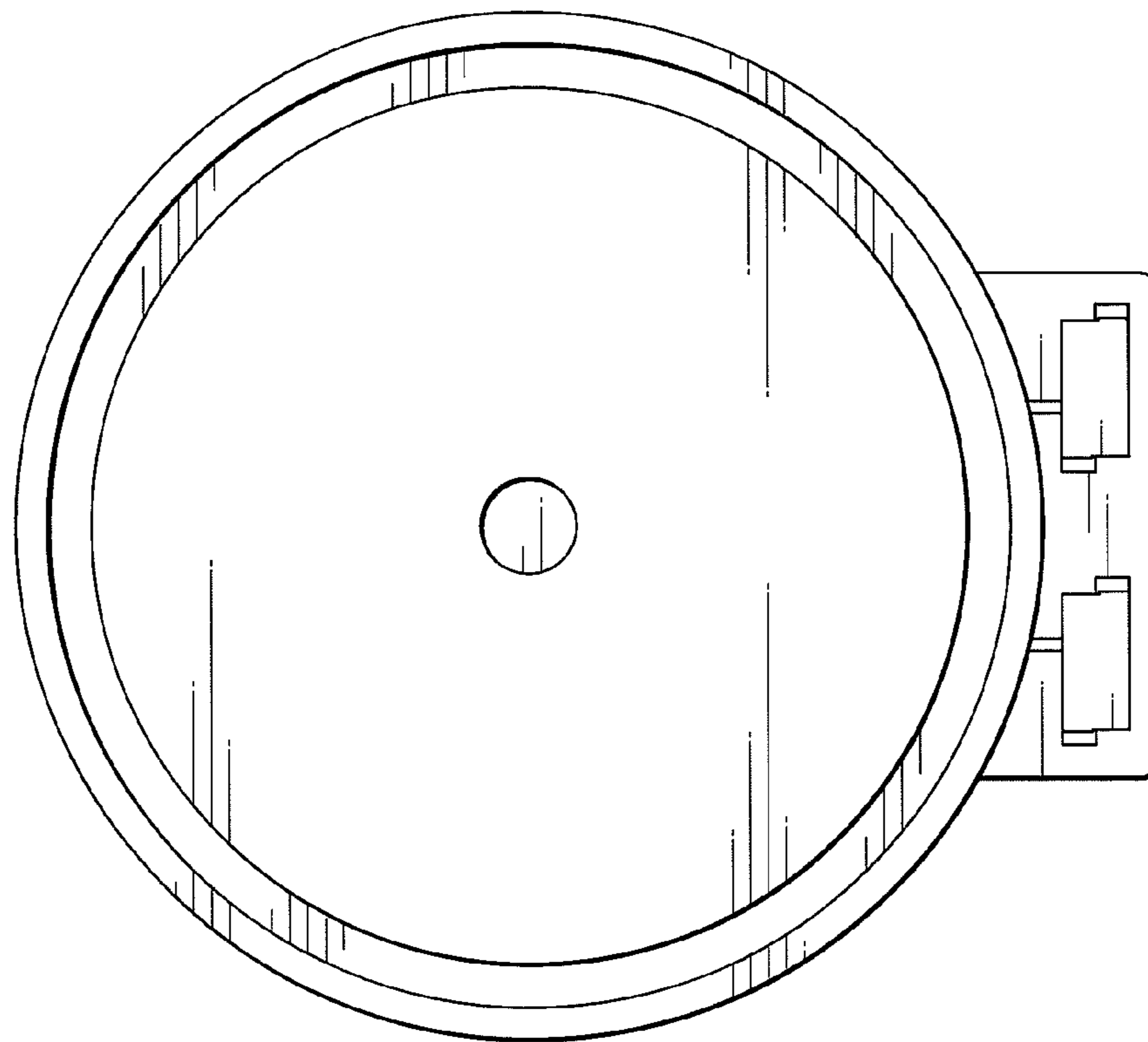
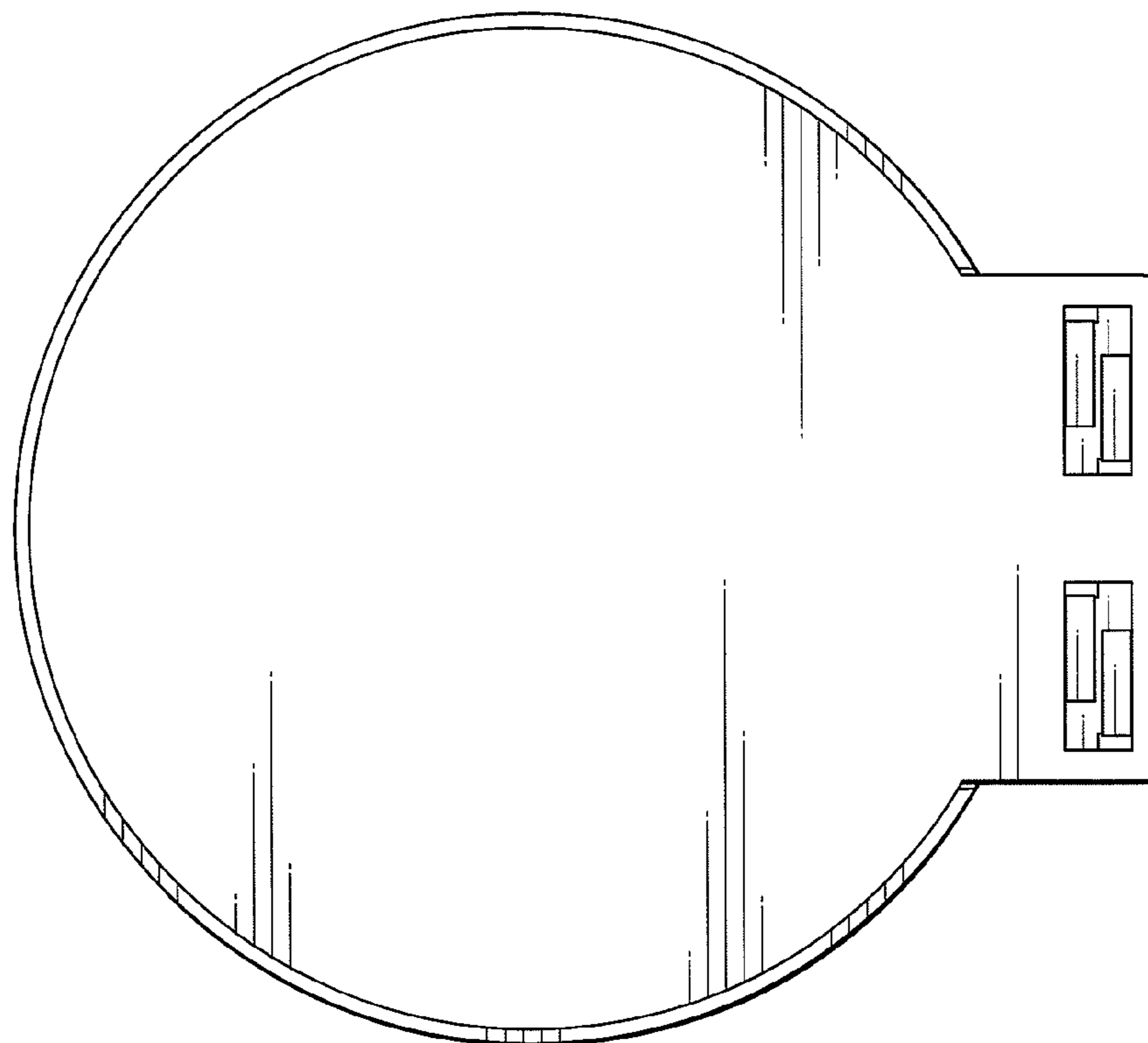


FIG.7



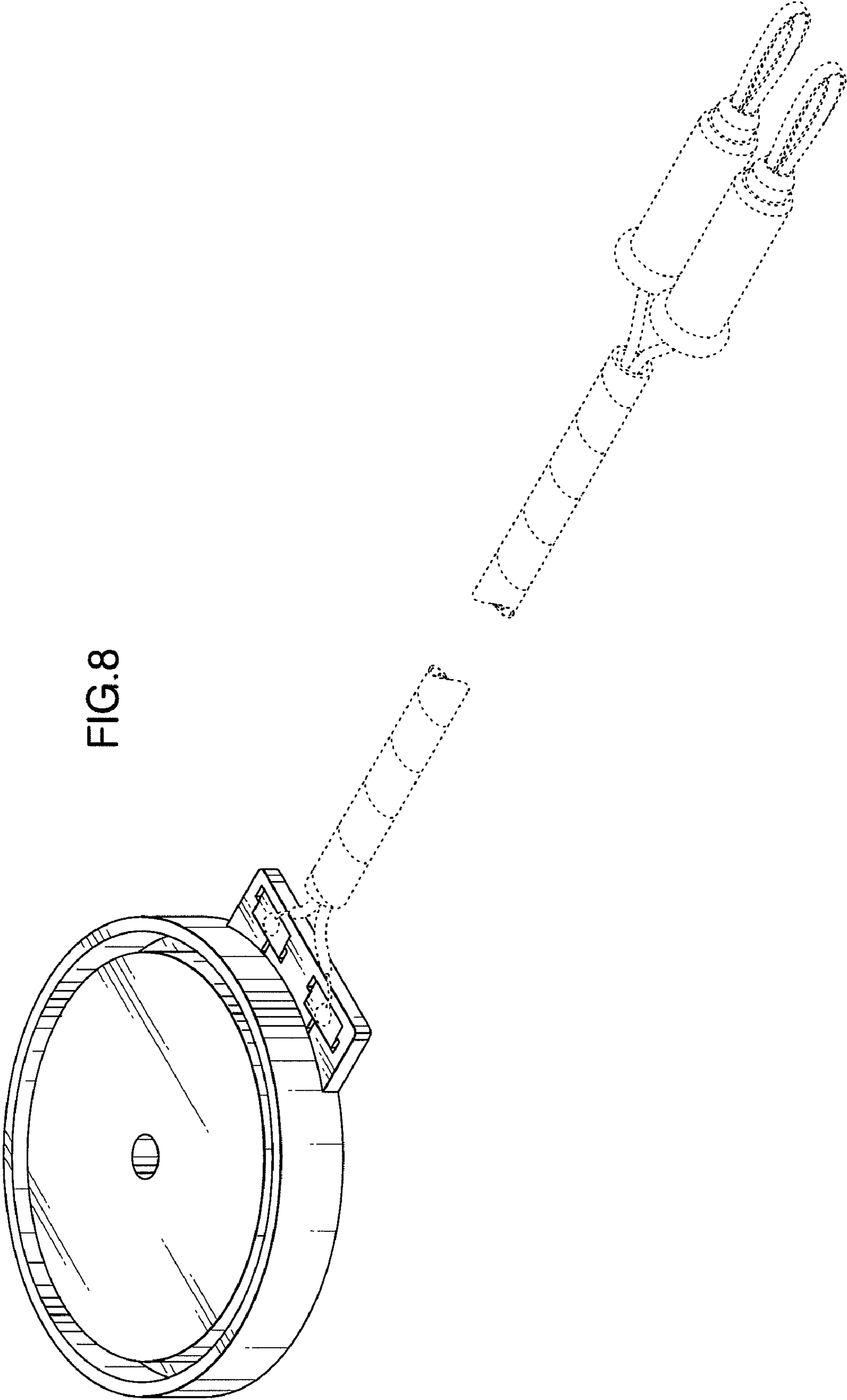


FIG.8