



US00D585838S

(12) **United States Design Patent**
Tiedemann et al.

(10) **Patent No.:** **US D585,838 S**

(45) **Date of Patent:** **** Feb. 3, 2009**

(54) **POWER SWITCHING DEVICE**

(57) **CLAIM**

(75) Inventors: **Larry E. Tiedemann**, Winona, MN (US); **Robert A. Pape**, Winona, MN (US); **James P. Hentges**, Fountain City, WI (US)

The ornamental design for a power switching device, as shown and described.

(73) Assignee: **Watlow Electric Manufacturing Company**, St. Louis, MO (US)

DESCRIPTION

(**) Term: **14 Years**

FIG. 1 is an upper perspective view of the power switching device;

(21) Appl. No.: **29/273,696**

FIG. 2 is another upper perspective view thereof;

(22) Filed: **Mar. 9, 2007**

FIG. 3 is a lower perspective view thereof;

(51) **LOC (9) Cl.** **13-03**

FIG. 4 is another lower perspective view thereof;

(52) **U.S. Cl.** **D13/158; D13/147**

FIG. 5 is a front view thereof;

(58) **Field of Classification Search** **D13/146, D13/147, 152, 154, 158-164, 173, 184, 199; 361/752; 439/660**

FIG. 6 is back view thereof;

See application file for complete search history.

FIG. 7 is a bottom view thereof;

FIG. 8 is a top view thereof;

FIG. 9 is a left side view thereof; and,

FIG. 10 is a right side view thereof.

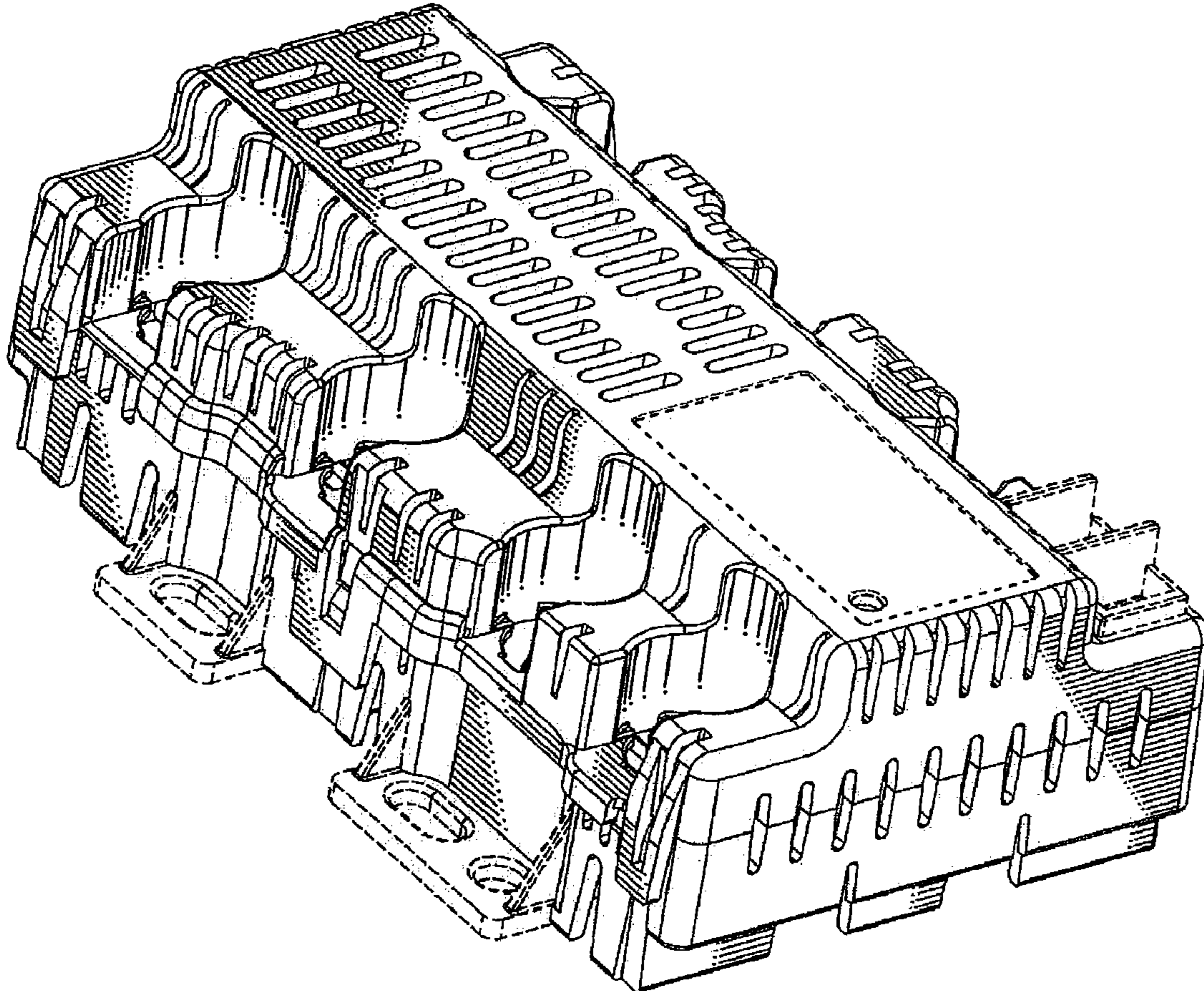
The broken lines are included for the purpose of illustrating environmental structure and form no part of the claimed design.

Primary Examiner—Daniel D Bui

Assistant Examiner—Thomas J Johannes

(74) *Attorney, Agent, or Firm*—Brinks Hofer Gilson & Lione

1 Claim, 10 Drawing Sheets



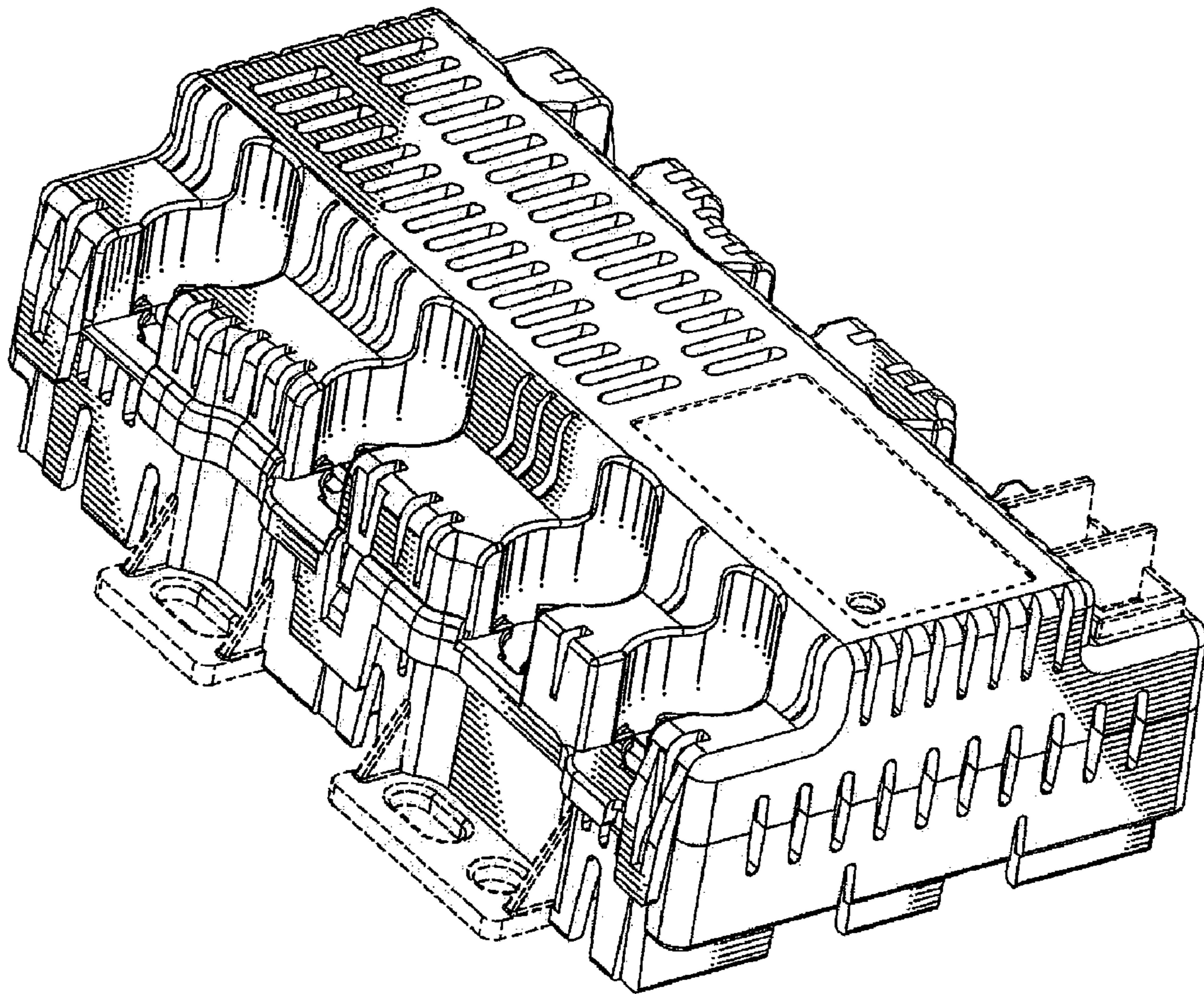


FIG. 1

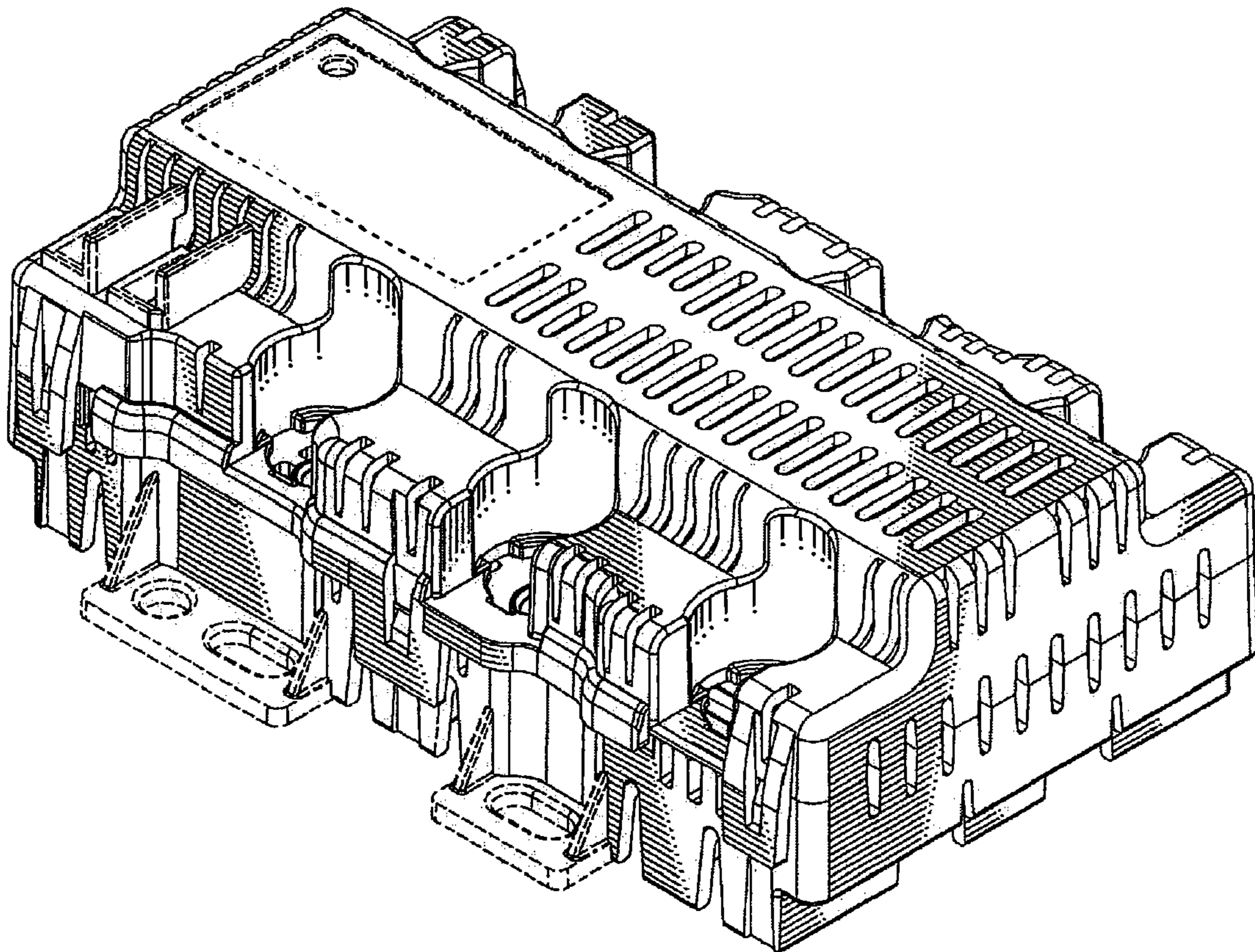


FIG. 2

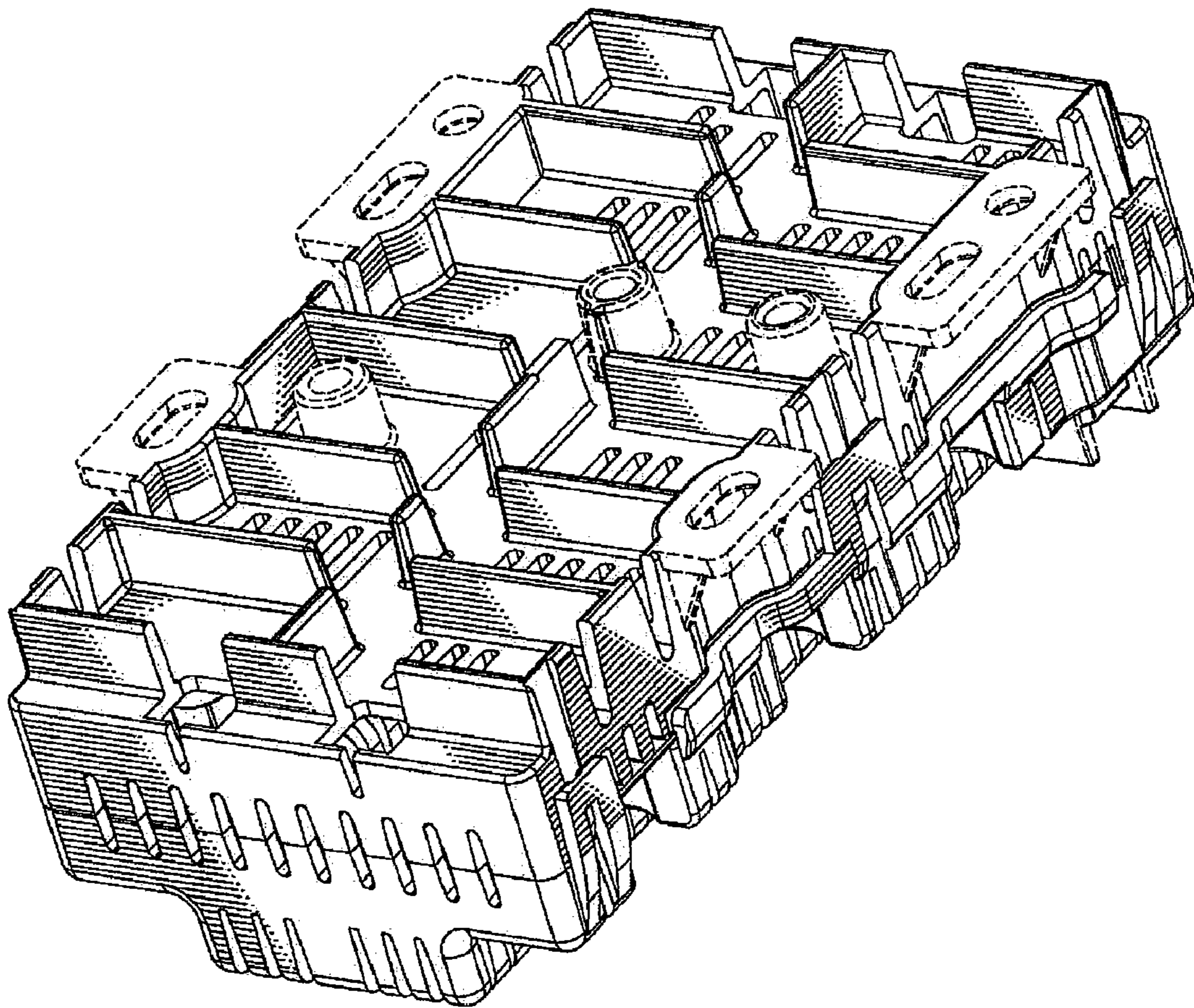


FIG. 3

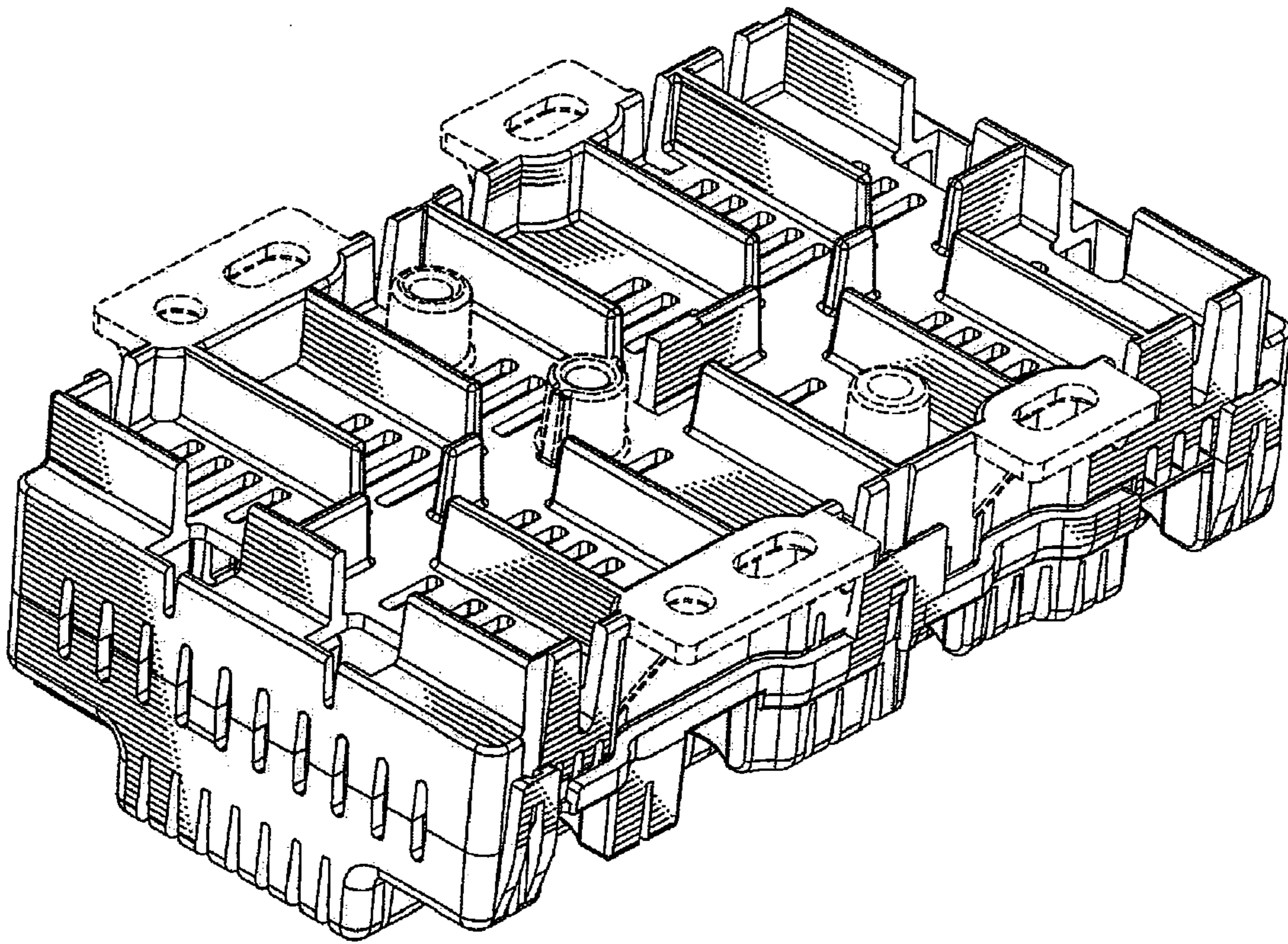


FIG. 4

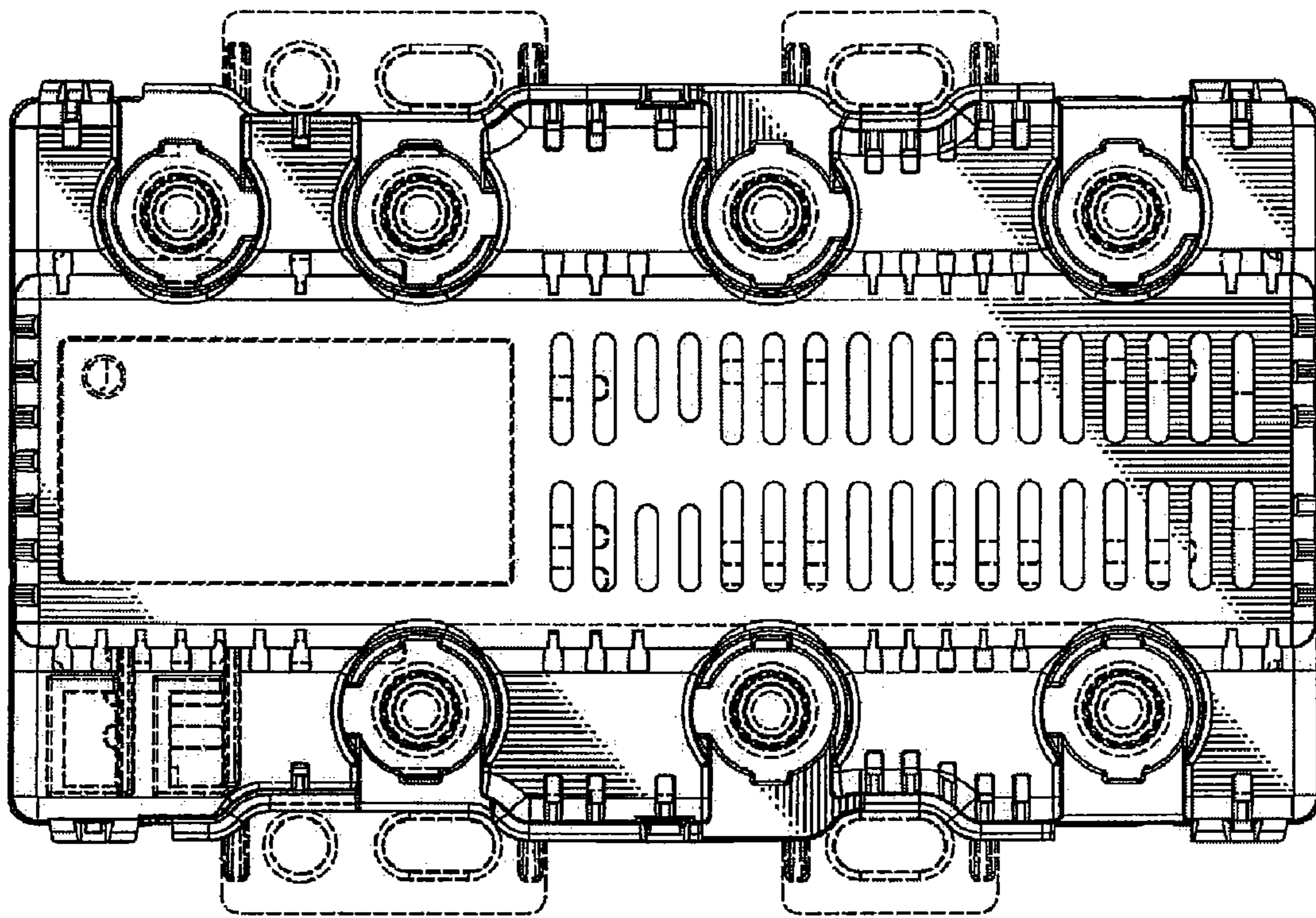


FIG. 5

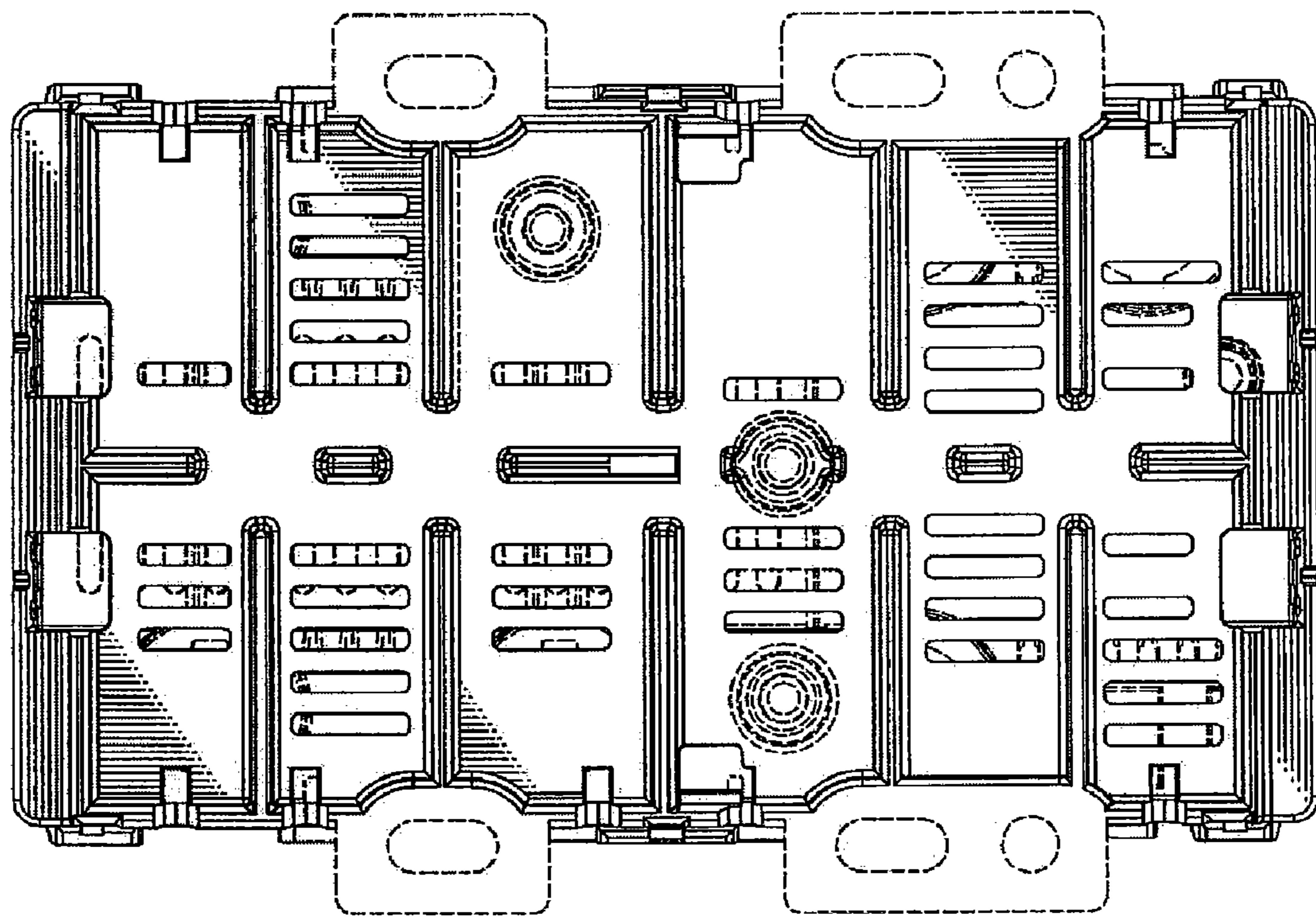


FIG. 6

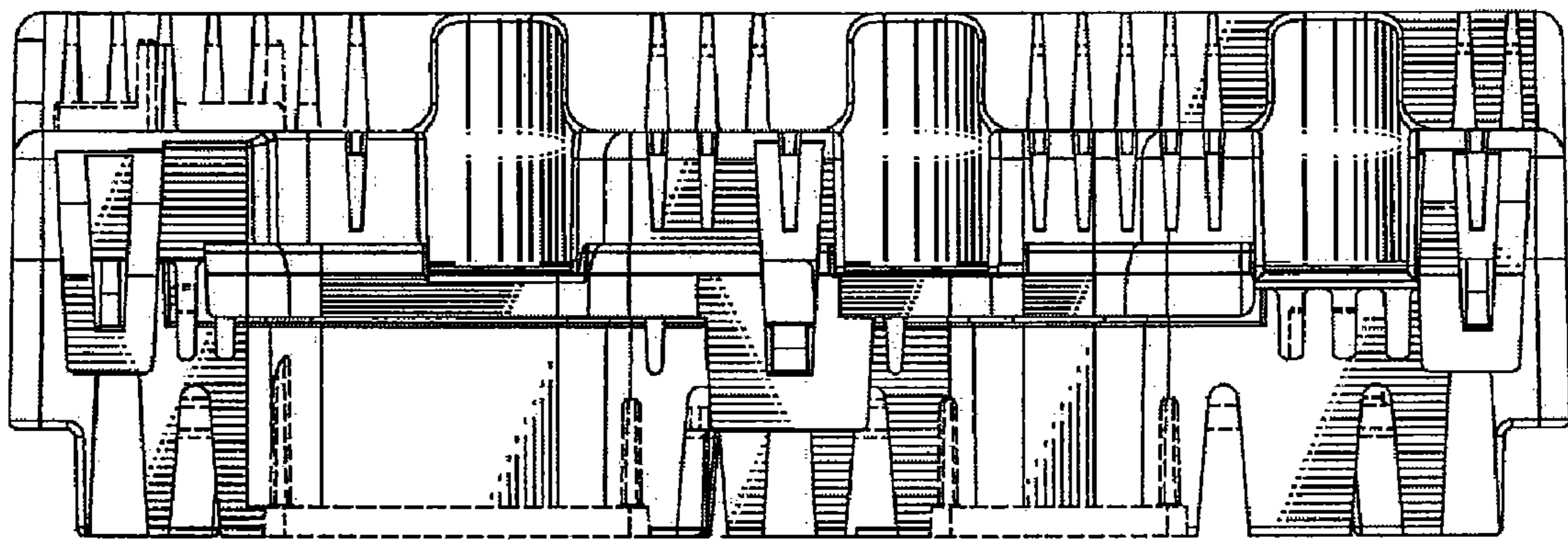


FIG. 7

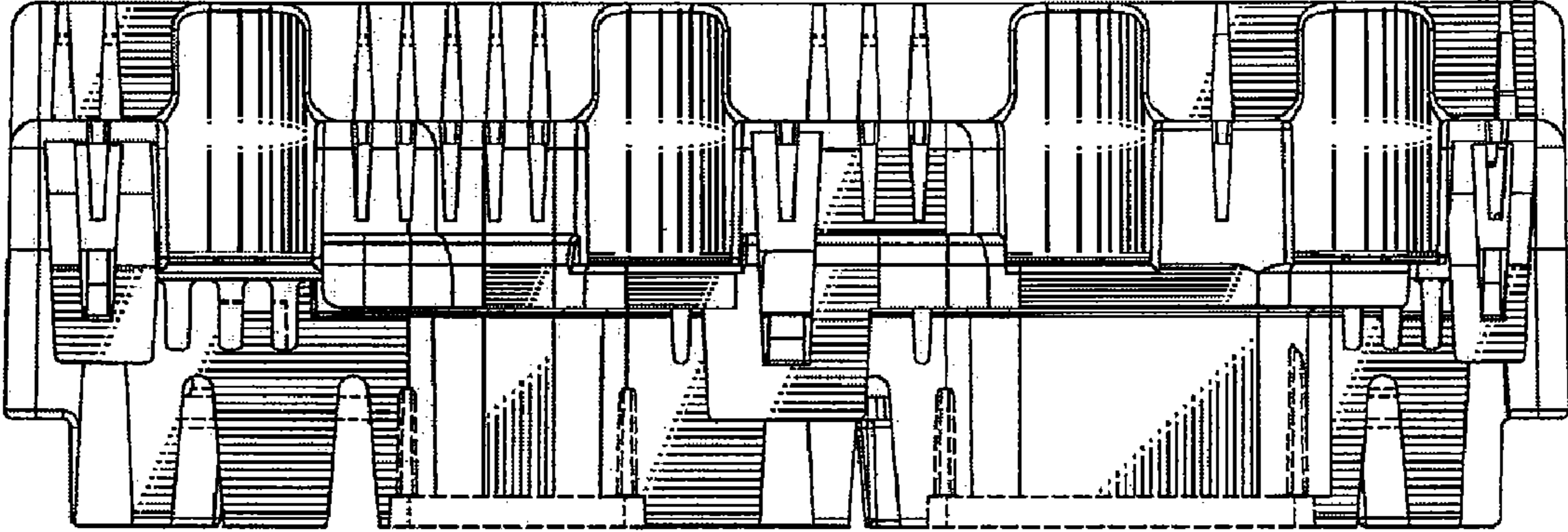


FIG. 8

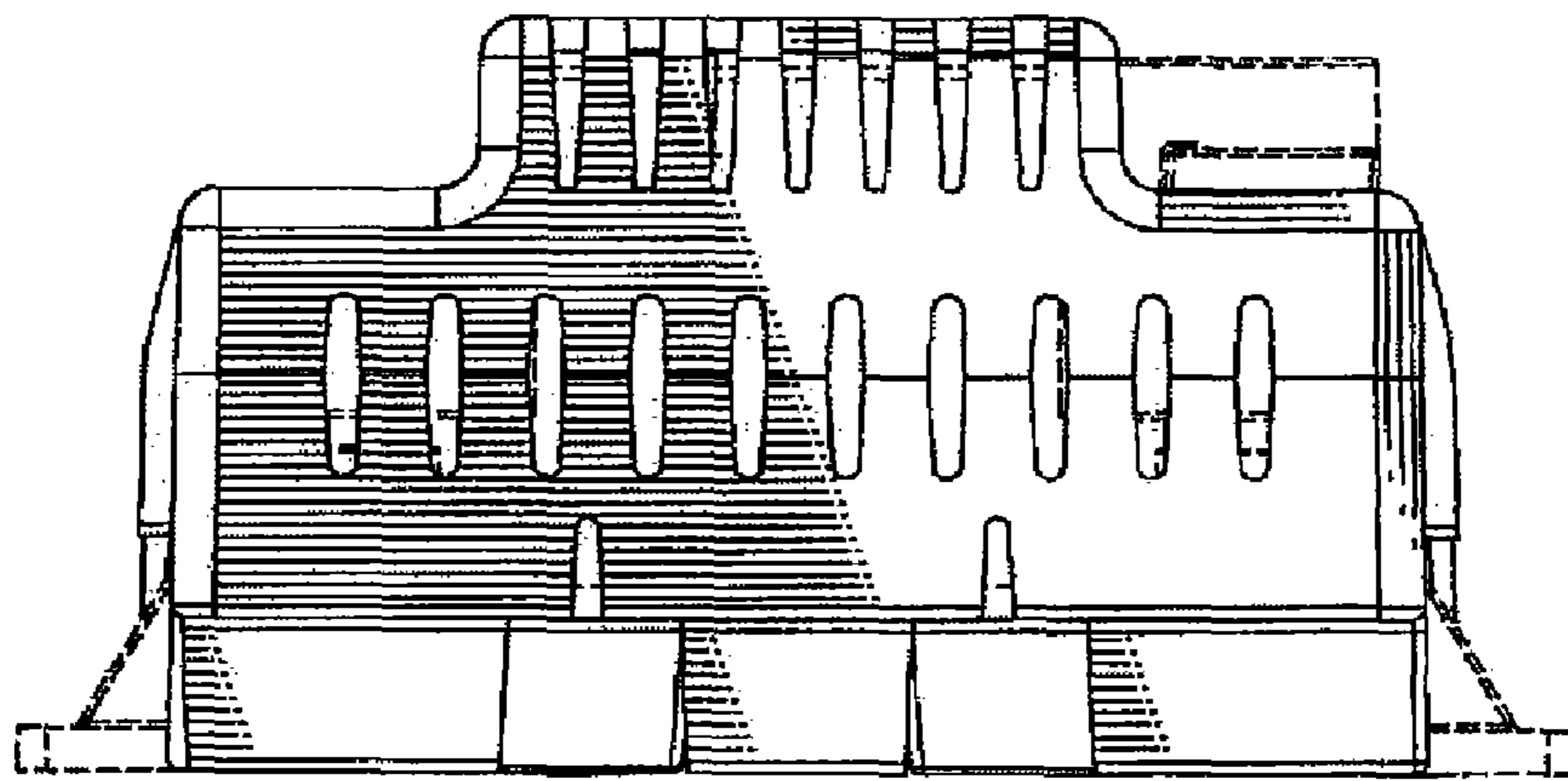


FIG. 9

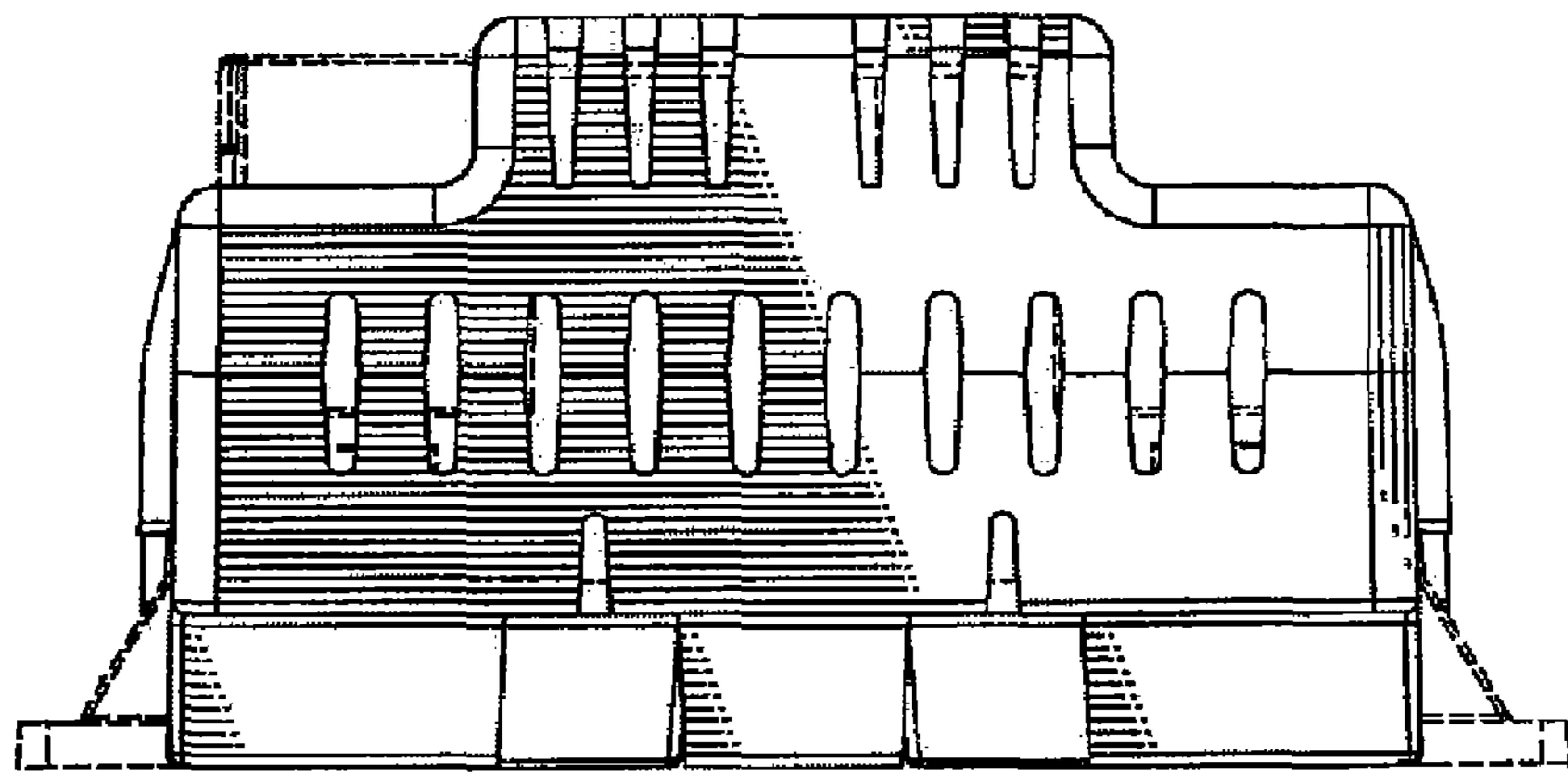


FIG. 10