



US00D585837S

(12) **United States Design Patent**  
**Kuehne et al.**

(10) **Patent No.:** **US D585,837 S**

(45) **Date of Patent:** **\*\* Feb. 3, 2009**

(54) **FIBER OPTIC CONNECTOR**

D559,785 S \* 1/2008 Tosetti ..... D13/147

(75) Inventors: **Henning Kuehne**, Dana Point, CA (US);  
**Christopher W. Nessleroad**, Dana Point, CA (US); **Karsten Grubert**, Laguna Niguel, CA (US)

\* cited by examiner

*Primary Examiner*—Daniel D Bui  
(74) *Attorney, Agent, or Firm*—Ralph D. Chabot

(73) Assignee: **QPC Fiber Optic, Inc.**, San Clemente, CA (US)

(57) **CLAIM**

The ornamental design for a fiber optic connector, as shown and described.

(\*\*) Term: **14 Years**

(21) Appl. No.: **29/321,406**

**DESCRIPTION**

(22) Filed: **Jul. 16, 2008**

(51) **LOC (9) Cl.** ..... **13-03**

(52) **U.S. Cl.** ..... **D13/154; D13/146; D13/147**

(58) **Field of Classification Search** ..... D13/146–147,  
D13/154, 184; 174/88 C; 439/314–315,  
439/359, 362, 372

FIG. 1 is a front, top and right side perspective view of a fiber optic connector showing our new design;

FIG. 2 is a front elevation view thereof;

FIG. 3 is a rear elevation view thereof;

FIG. 4 is a top plan view thereof;

FIG. 5 is a right elevation view thereof, the left side being a mirror image thereto; and,

FIG. 6 is a bottom plan view thereof.

See application file for complete search history.

The broken line portion of the figure drawings is included to show unclaimed subject matter only and forms no part of the claimed design.

(56) **References Cited**

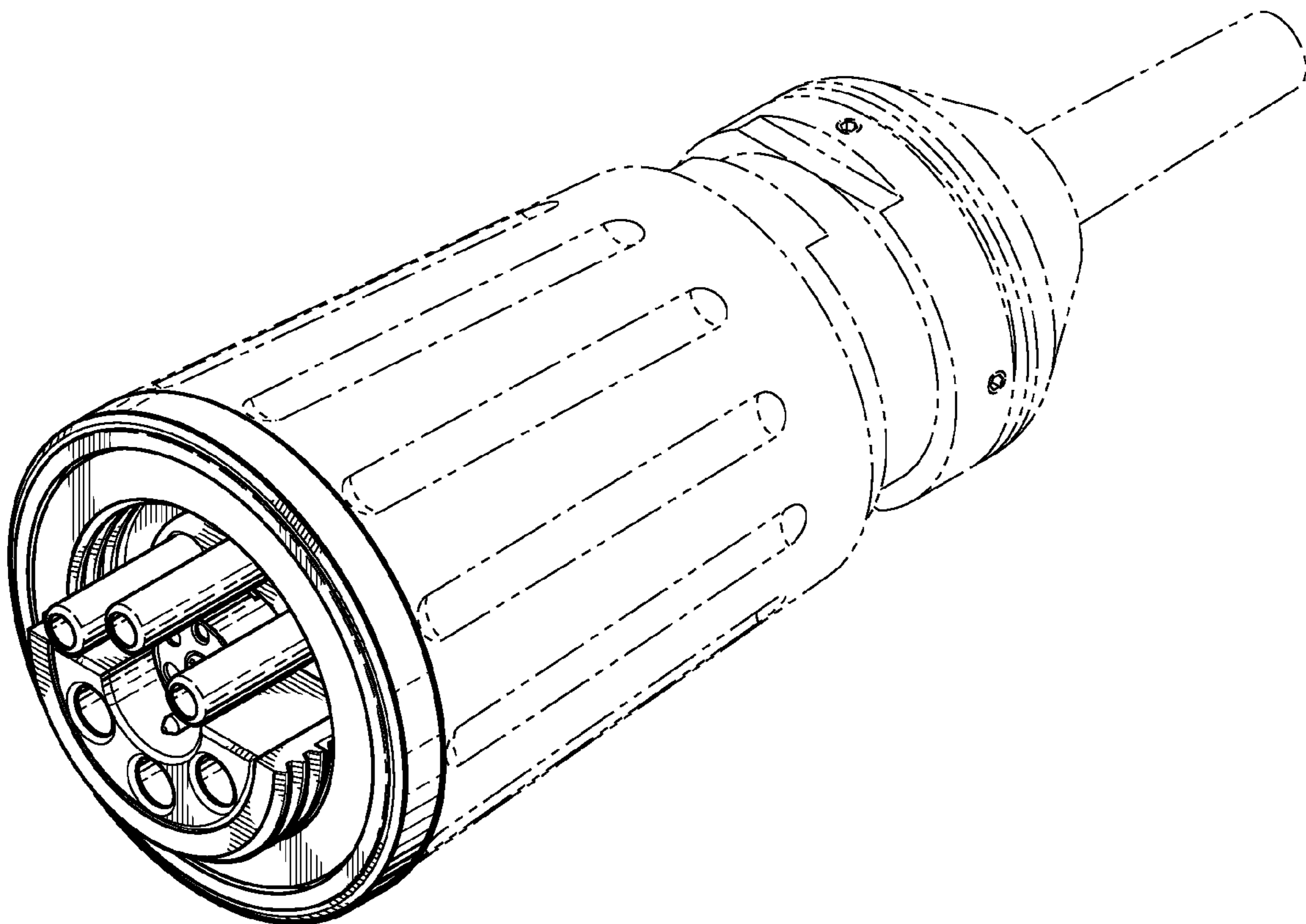
**U.S. PATENT DOCUMENTS**

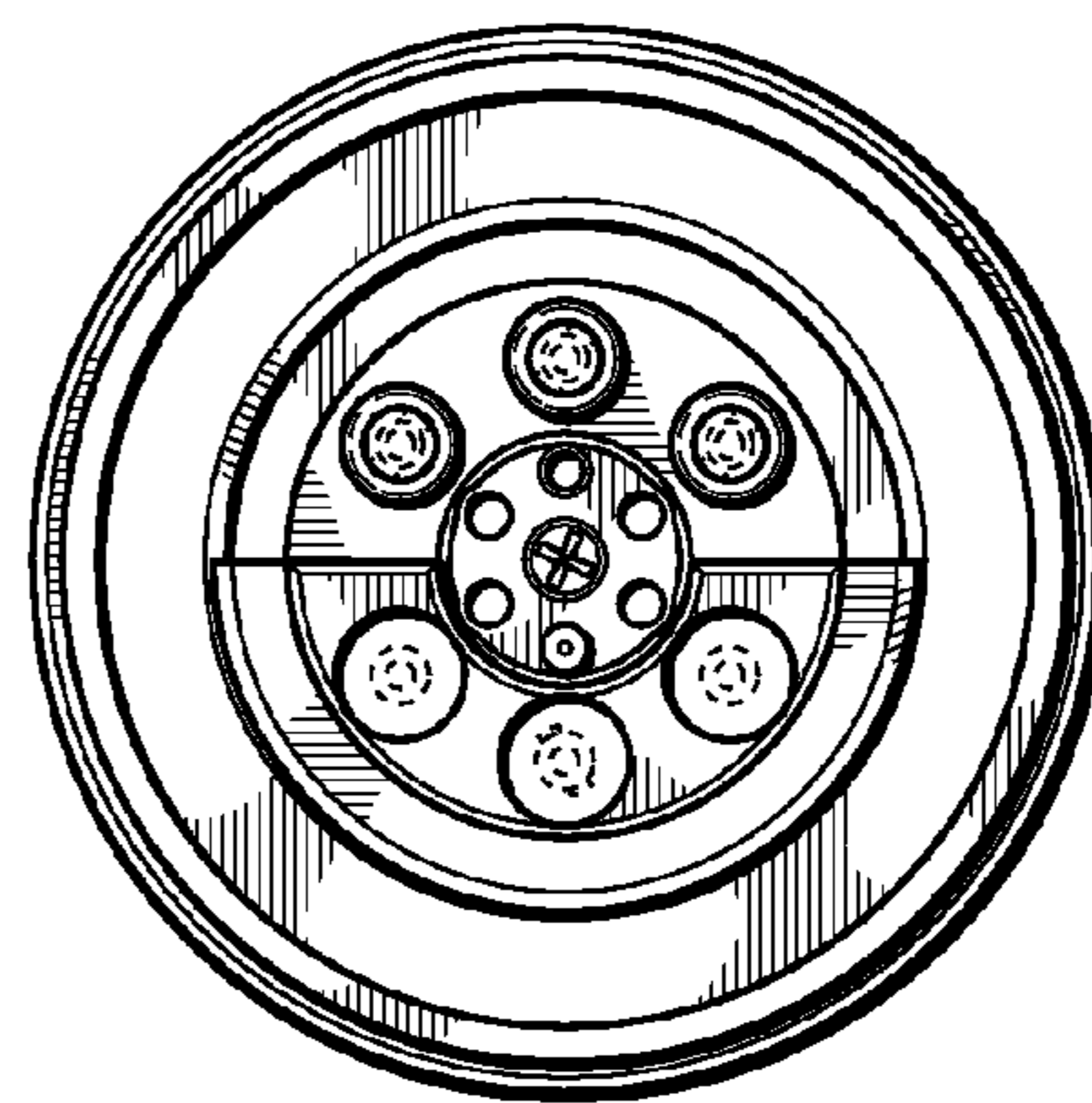
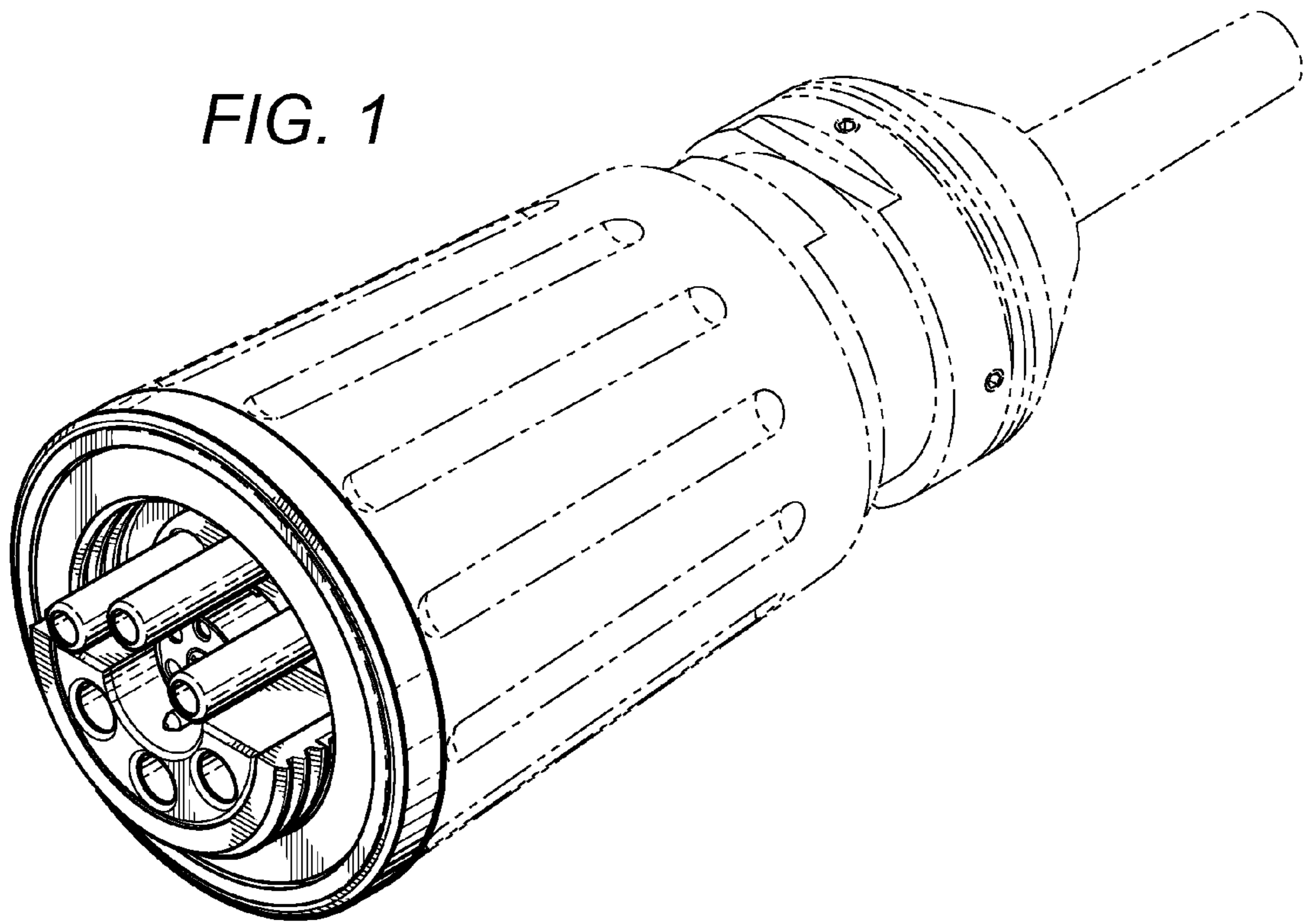
D298,931 S \* 12/1988 Sekiguchi ..... D13/147

D523,812 S \* 6/2006 Brodin ..... D13/146

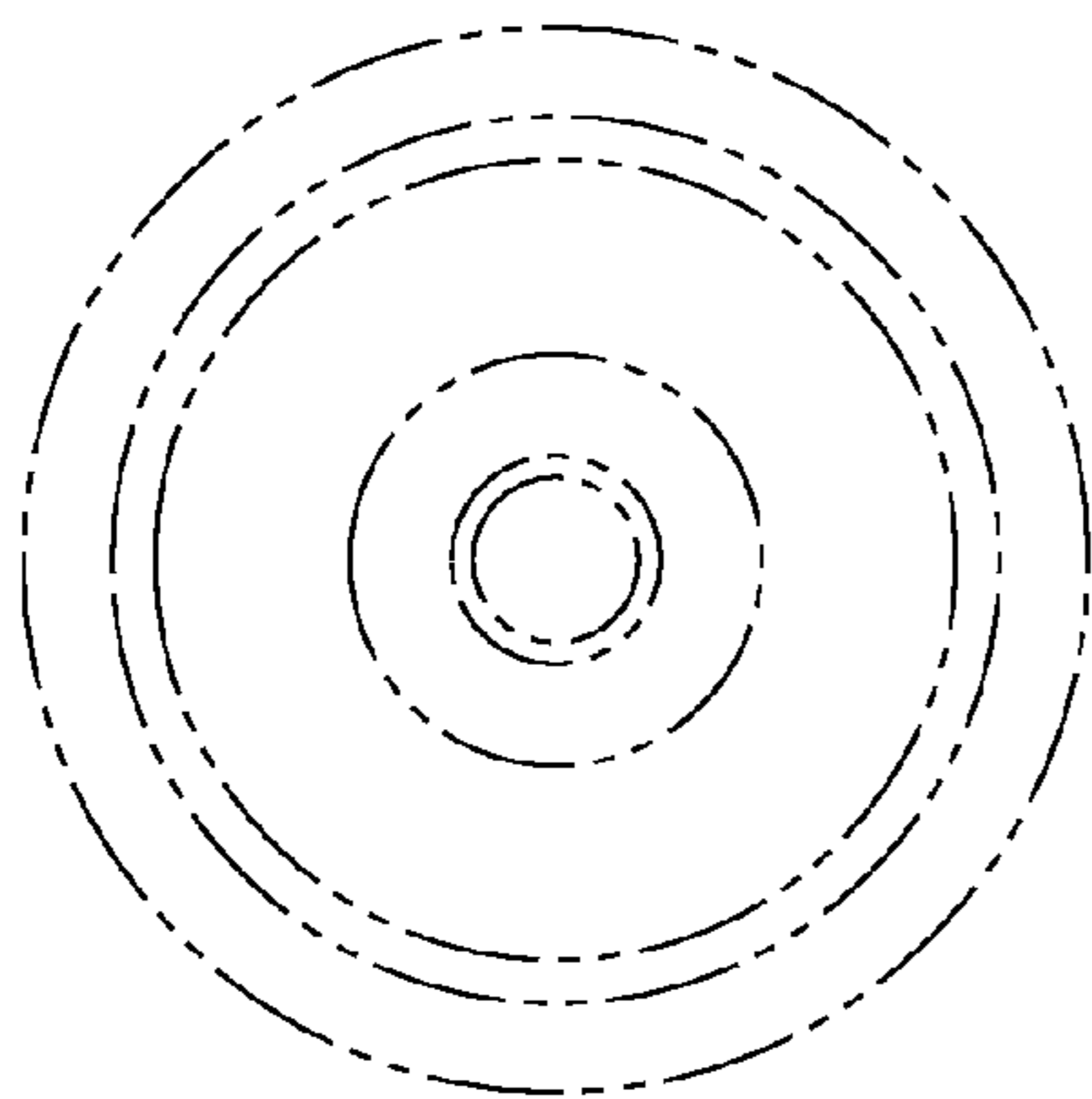
D527,346 S \* 8/2006 Brodin ..... D13/146

**1 Claim, 2 Drawing Sheets**





*FIG. 2*



*FIG. 3*

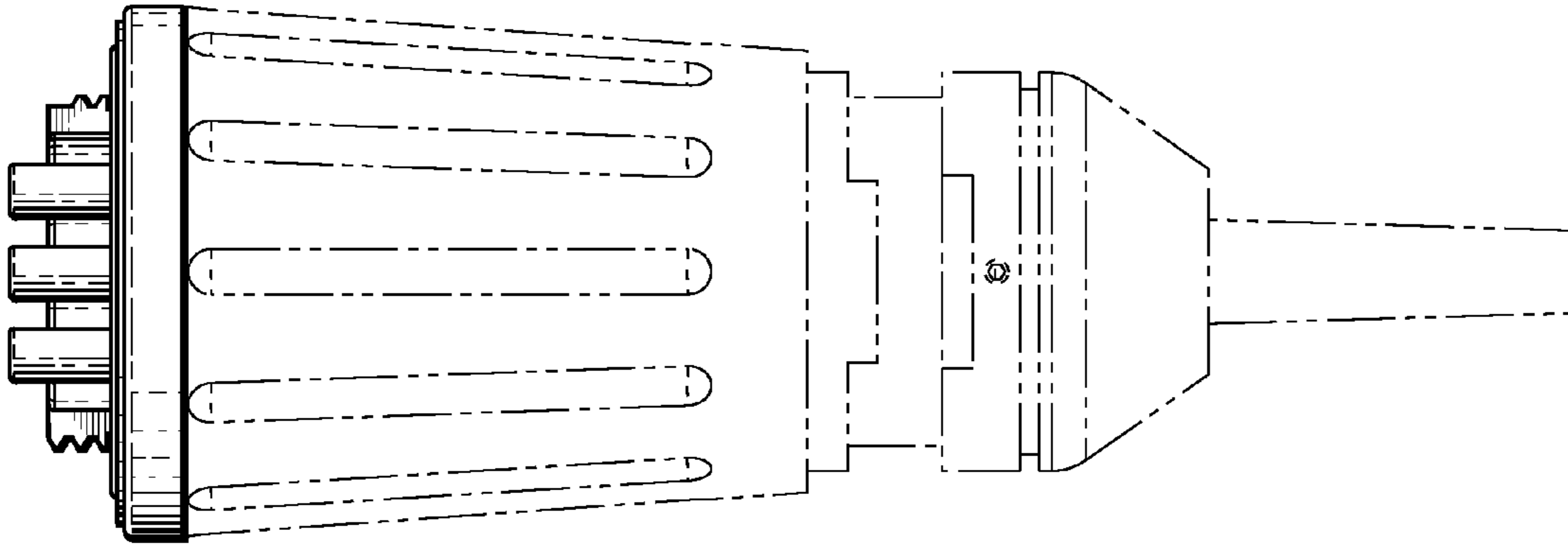


FIG. 4

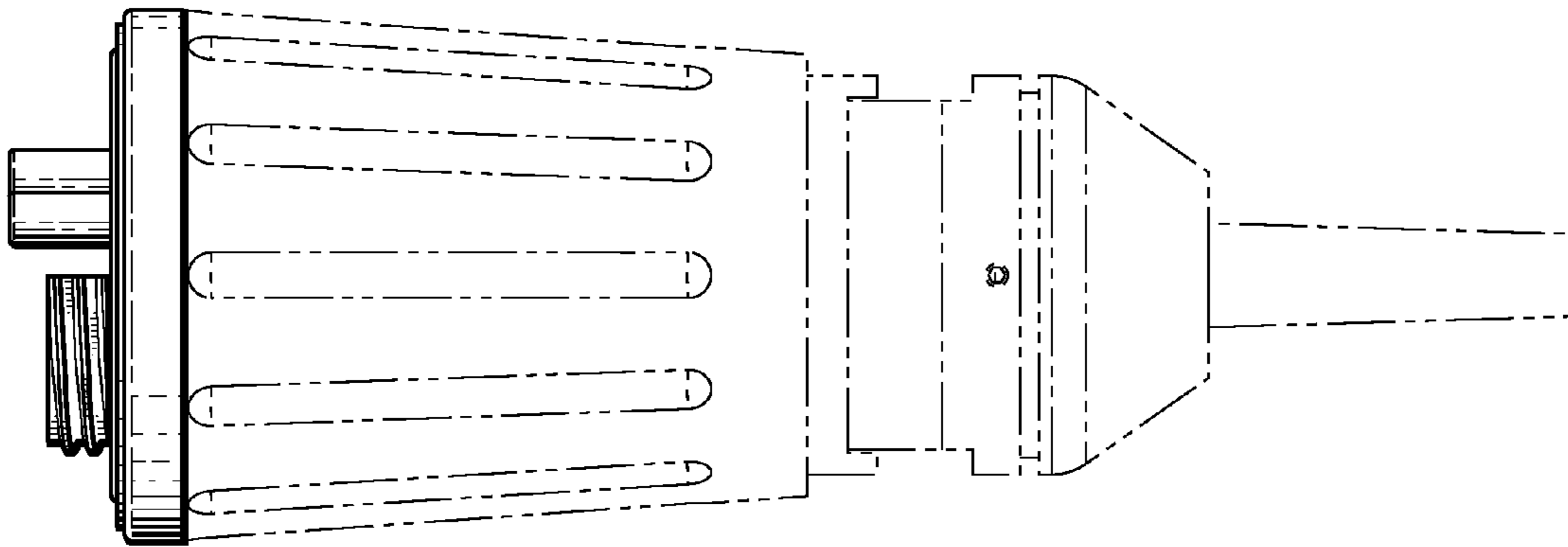


FIG. 5

FIG. 6

