



US00D585834S

(12) **United States Design Patent**  
**Mason**

(10) **Patent No.:** **US D585,834 S**

(45) **Date of Patent:** **\*\* Feb. 3, 2009**

(54) **RECEPTACLE INSERT**

(75) Inventor: **Kyle Mason**, Williamsport, PA (US)

(73) Assignee: **Aslan Industries Corproation**,  
Montoursville, PA (US)

(\*\*) Term: **14 Years**

(21) Appl. No.: **29/289,418**

(22) Filed: **Jul. 18, 2007**

(51) **LOC (9) Cl.** ..... **13-03**

(52) **U.S. Cl.** ..... **D13/154**

(58) **Field of Classification Search** ..... D13/133,  
D13/137.1, 137.2, 139.1, 154, 173, 184, 199;  
439/106-108, 188, 535, 650-654; 361/118,  
361/119

See application file for complete search history.

(56) **References Cited**

**U.S. PATENT DOCUMENTS**

3,094,367	A	6/1963	Schmier	
4,293,172	A *	10/1981	Lingaraju	439/105
4,688,135	A	8/1987	Leopold	
5,965,846	A	10/1999	Shotey et al.	
D427,887	S *	7/2000	Leopold et al.	D8/353
D492,253	S *	6/2004	Lee	D13/137.2
D511,748	S *	11/2005	Caine et al.	D13/154

7,204,696 B1 \* 4/2007 Libby et al. .... 439/52

7,312,394 B1 12/2007 Weeks et al.

7,357,652 B1 \* 4/2008 Arenas et al. .... 439/107

D571,730 S \* 6/2008 Kidman ..... D13/139.3

D573,950 S \* 7/2008 Schwartz ..... D13/139.1

D573,952 S \* 7/2008 Schwartz ..... D13/139.1

\* cited by examiner

*Primary Examiner*—Daniel D Bui

*Assistant Examiner*—Thomas J Johannes

(74) *Attorney, Agent, or Firm*—Thomas R. Shaffer

(57) **CLAIM**

I claim the ornamental design for a receptacle insert, as shown and described.

**DESCRIPTION**

FIG. 1 is top plan view of the receptacle insert showing my new design.

FIG. 2 is end elevational view.

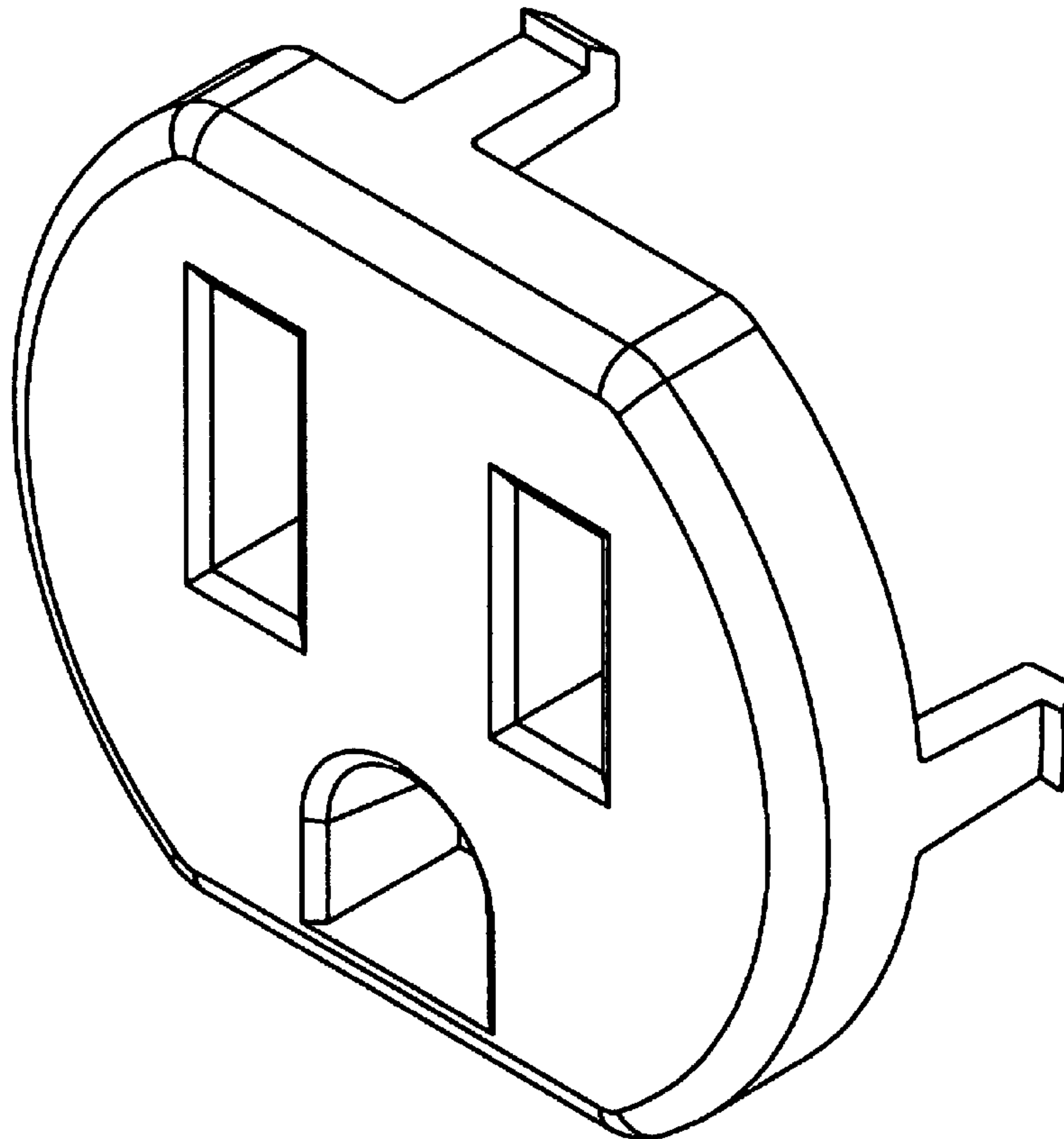
FIG. 3 is a bottom plan view.

FIG. 4 is side elevational view.

FIG. 5 is a perspective view of the top, side and end of the receptacle insert; and,

FIG. 6 is a perspective view of the bottom, sides and ends of the receptacle insert.

**1 Claim, 6 Drawing Sheets**



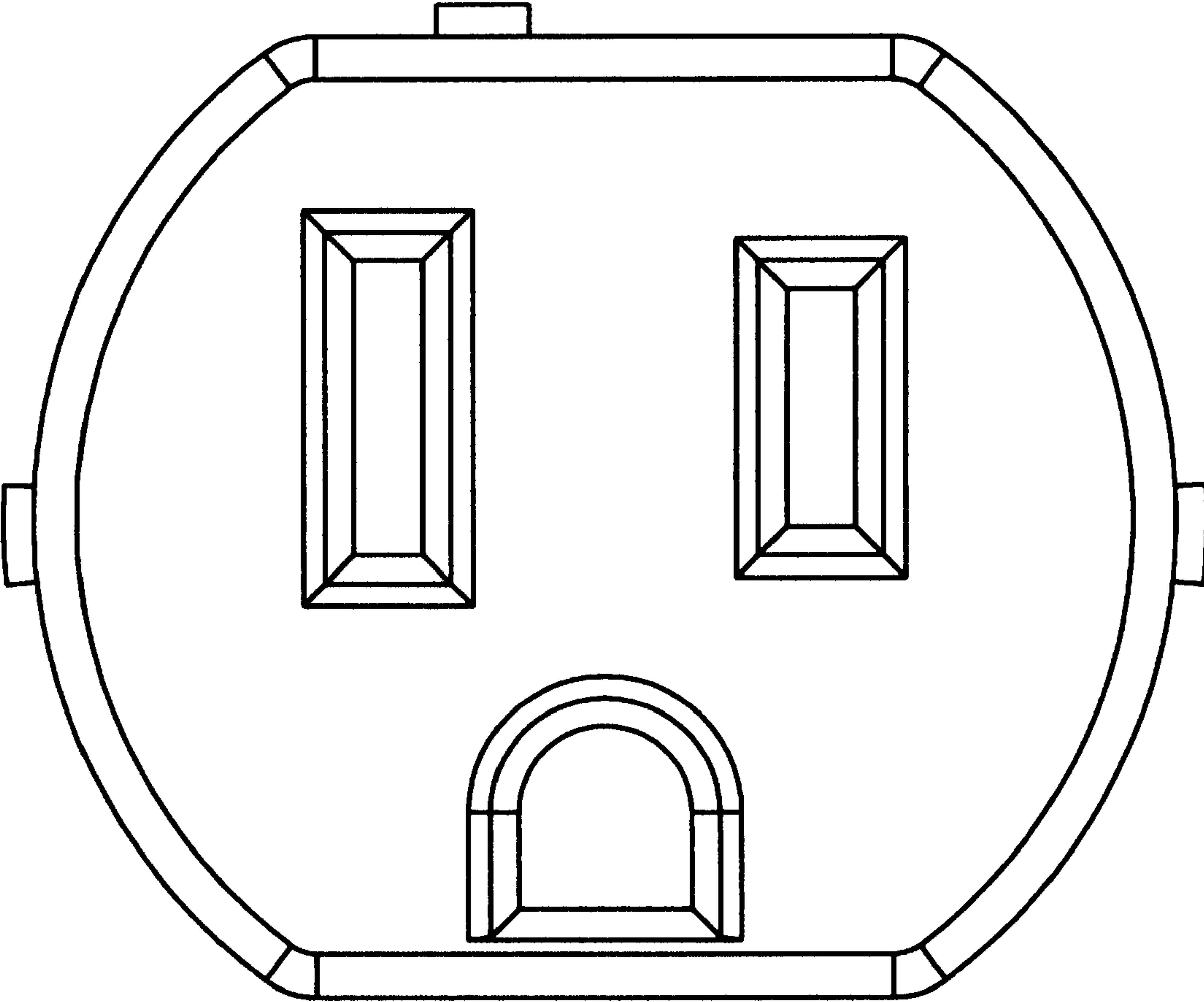


FIG. 1

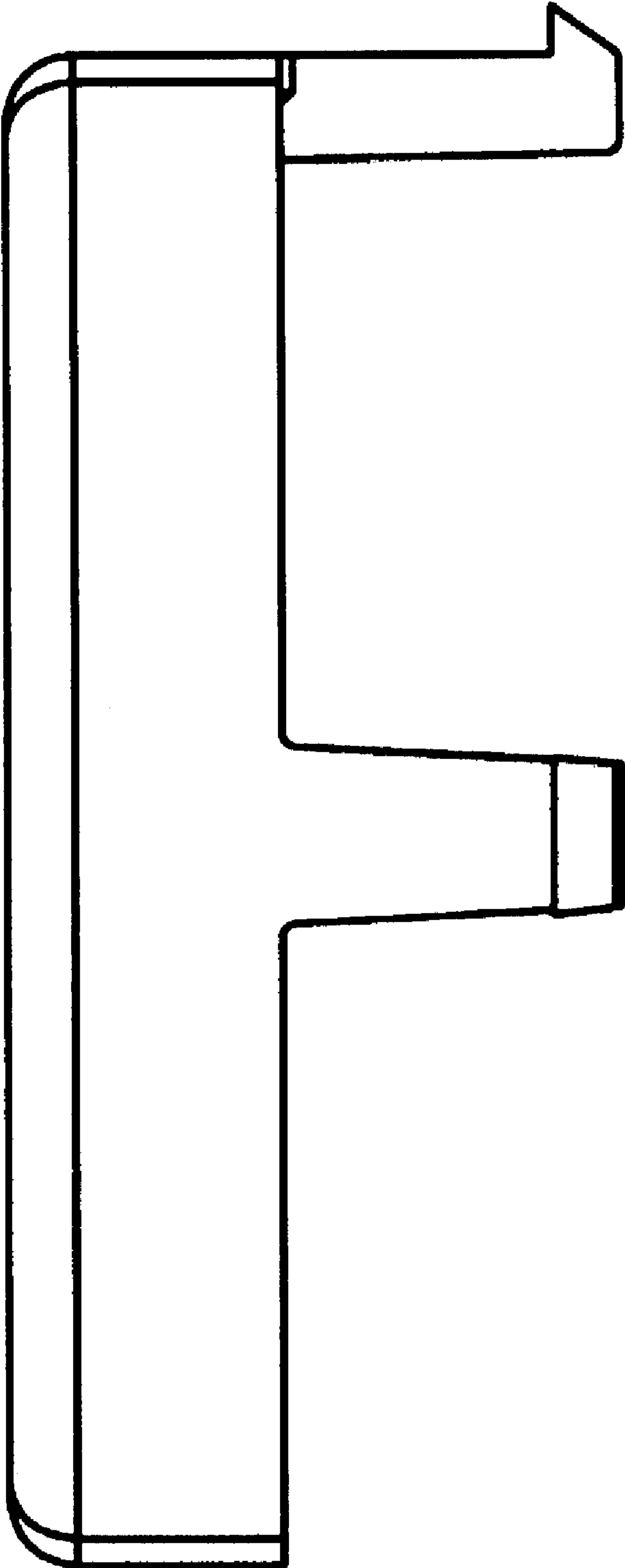


FIG. 2

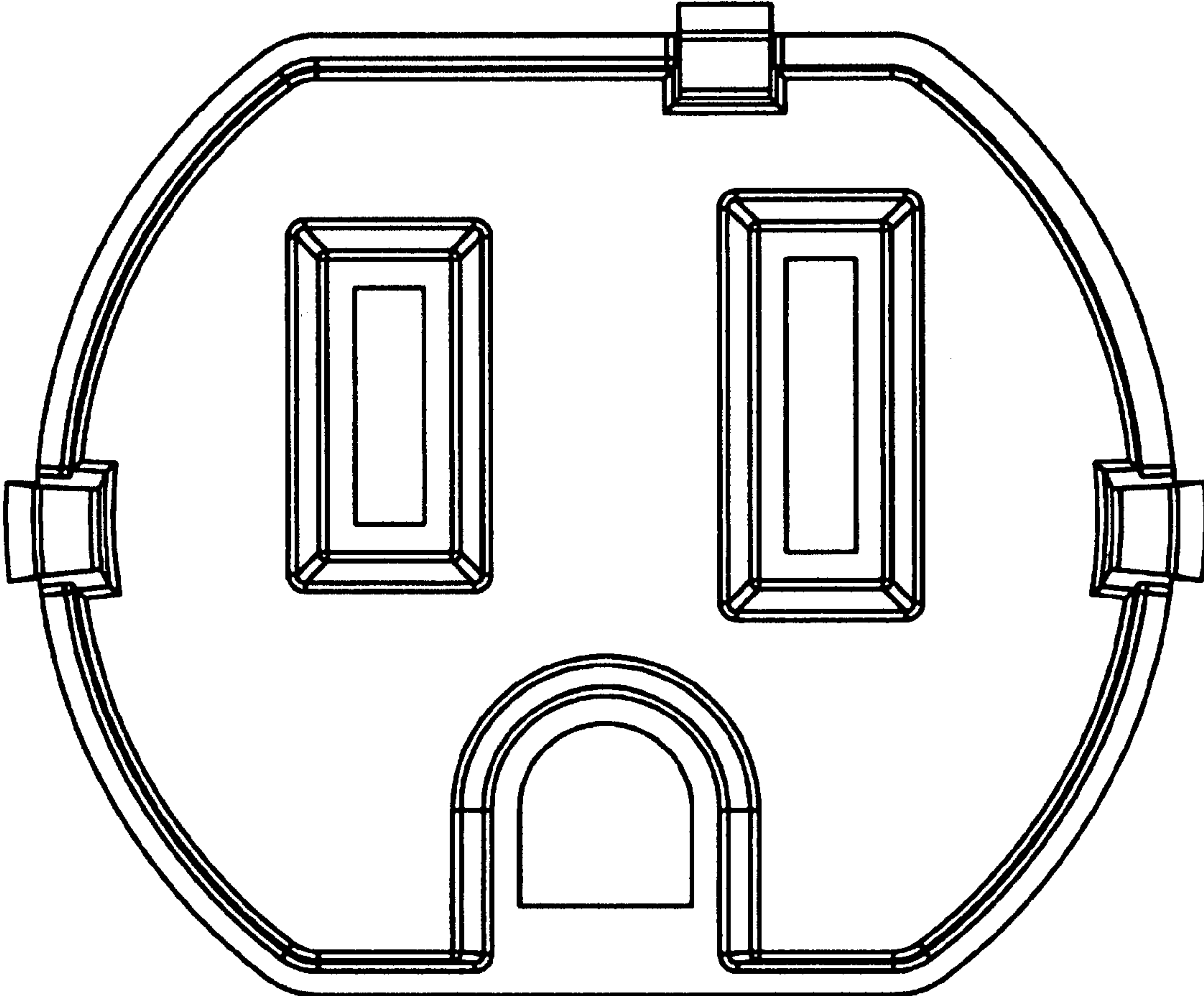


FIG. 3

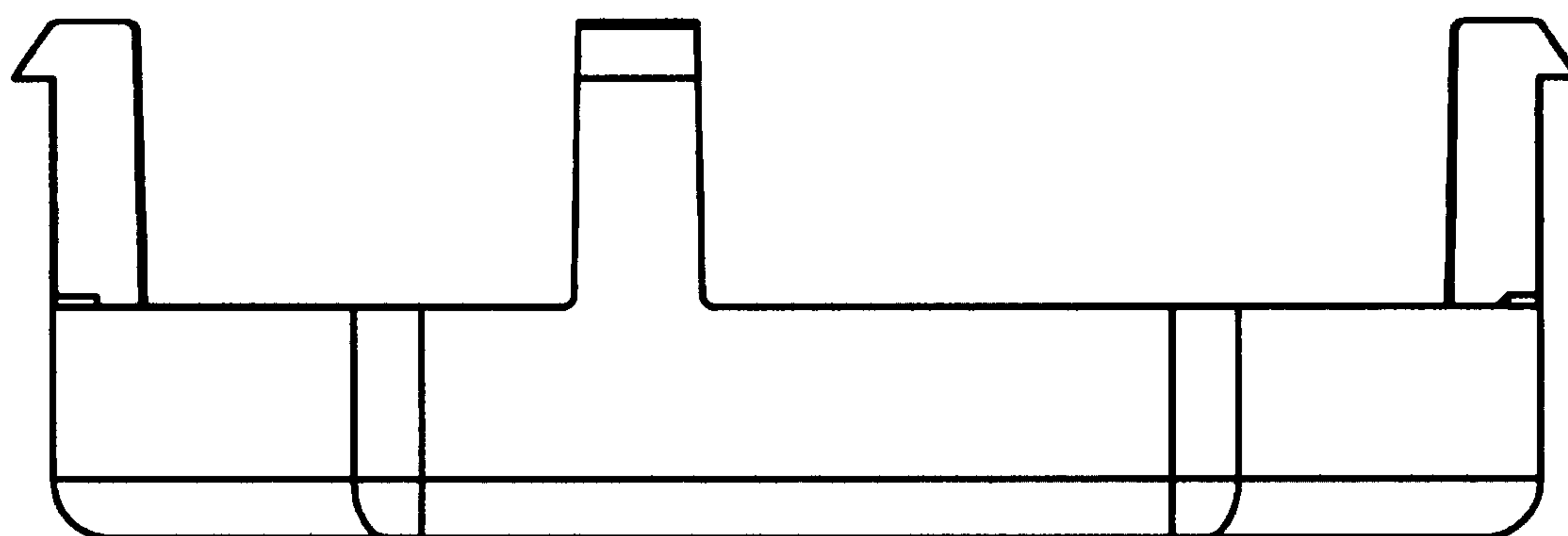


FIG. 4

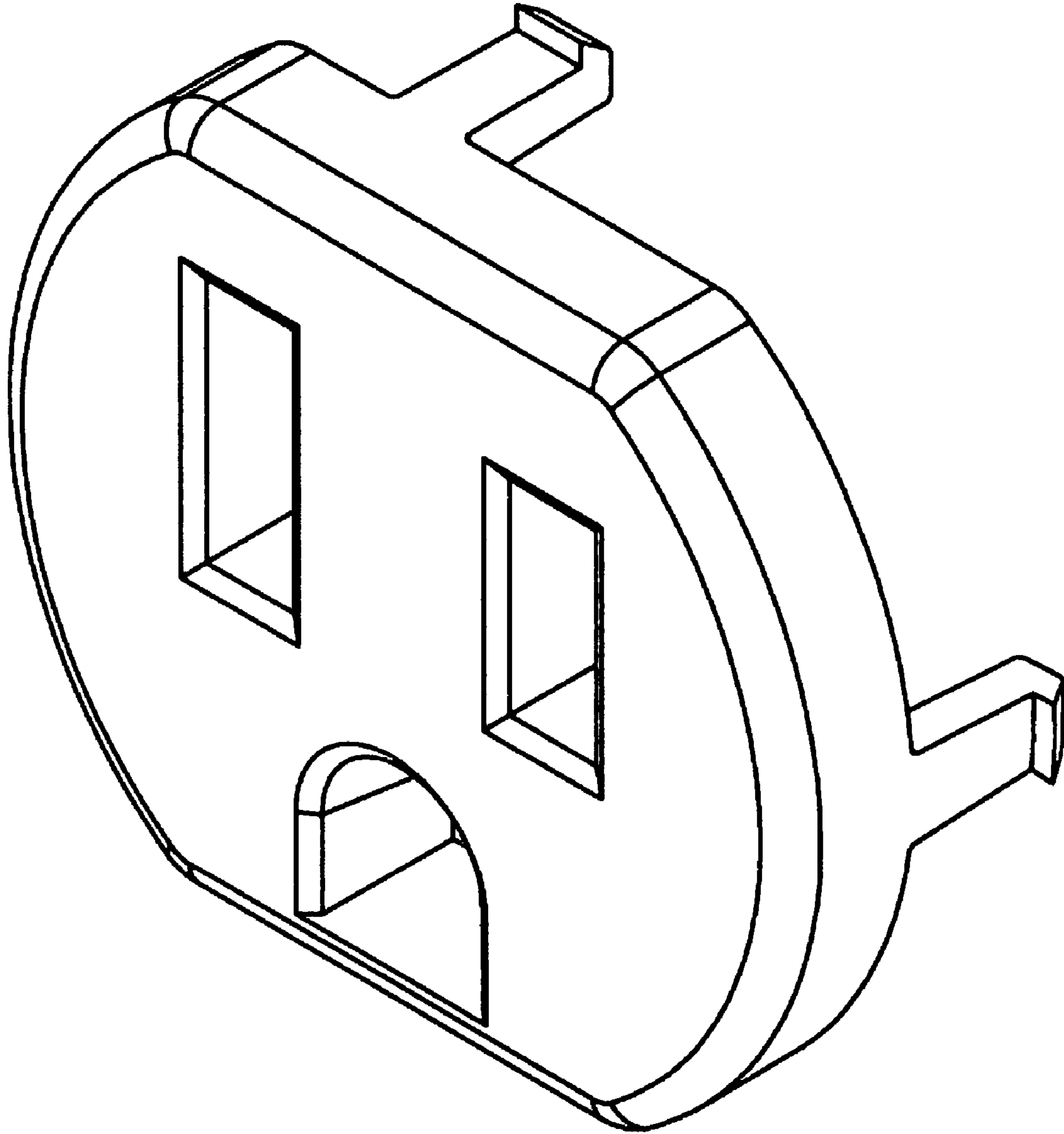


FIG. 5

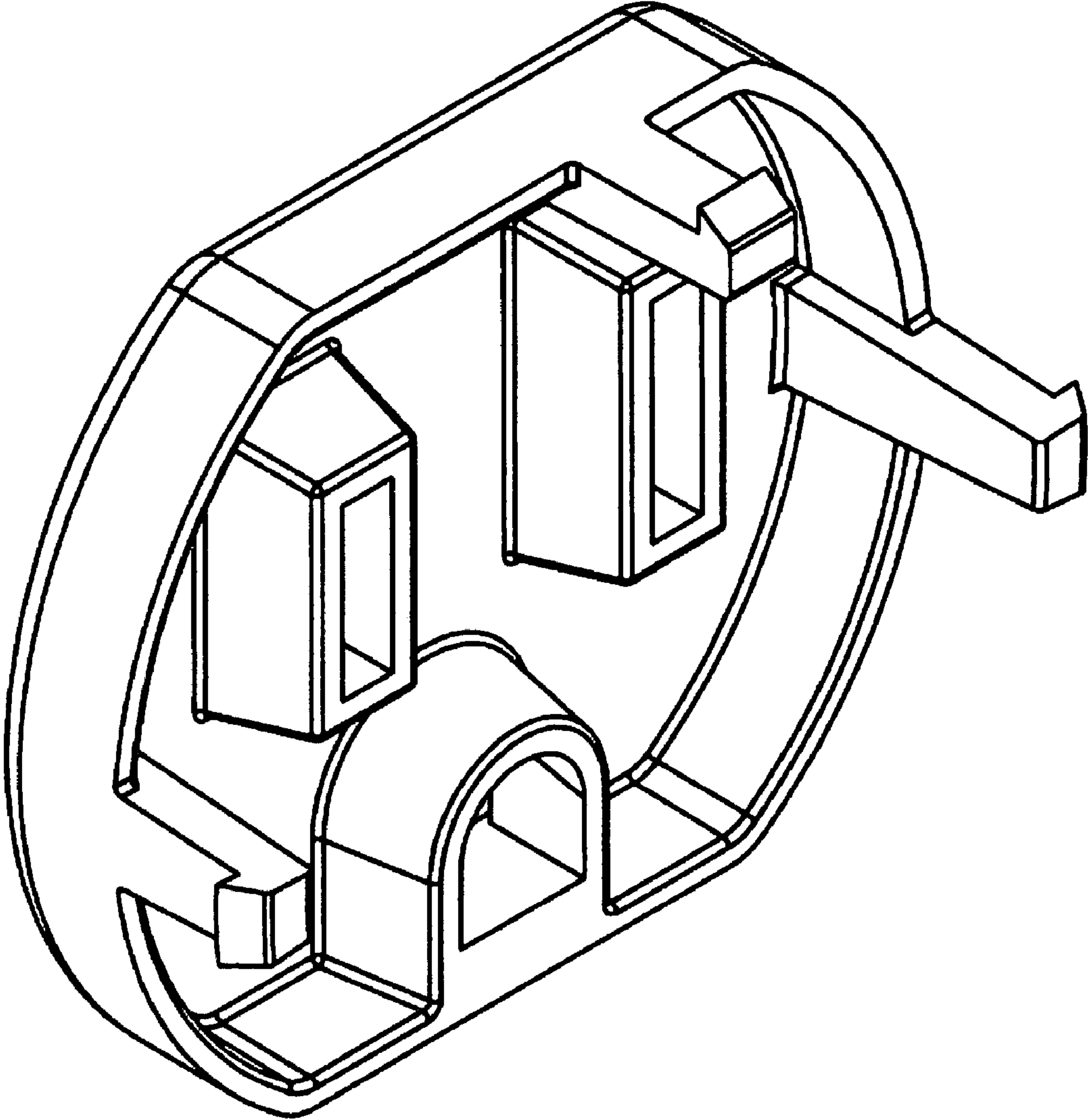


FIG. 6