



US00D585833S

(12) **United States Design Patent**
Sherman

(10) **Patent No.:** **US D585,833 S**
(45) **Date of Patent:** **** Feb. 3, 2009**

(54) **GROUNDING LUG**

(75) Inventor: **Jeffrey S. Sherman**, Creve Coeur, MO
(US)

(73) Assignee: **Emerson Electric Co.**, St. Louis, MO
(US)

(**) Term: **14 Years**

(21) Appl. No.: **29/282,576**

(22) Filed: **Jul. 24, 2007**

(51) **LOC (9) Cl.** **13-03**

(52) **U.S. Cl.** **D13/149; D13/148**

(58) **Field of Classification Search** D13/133,
D13/148, 149, 154, 184, 199; 439/331, 526,
439/68, 73, 862; D8/354

See application file for complete search history.

(56) **References Cited**

U.S. PATENT DOCUMENTS

D184,995 S *	4/1959	Gibson	D13/148
D195,623 S *	7/1963	Leonardo	D13/149
4,440,374 A *	4/1984	Achille	248/544
D296,547 S *	7/1988	Sachs	D13/148
4,828,504 A	5/1989	Franks, Jr.		
4,884,976 A	12/1989	Franks, Jr.		
4,917,615 A	4/1990	Franks, Jr.		
D309,129 S *	7/1990	Ottmann	D13/149
D325,899 S *	5/1992	Krokaugger	D13/151
5,596,237 A	1/1997	Daniels		
5,681,191 A	10/1997	Robicheau et al.		
D414,744 S	10/1999	Surinak		
D459,304 S *	6/2002	Malin	D13/133

D459,305 S *	6/2002	Malin	D13/133
D459,306 S *	6/2002	Malin	D13/133
D467,550 S *	12/2002	Auclair	D13/149
6,652,295 B1	11/2003	Glass et al.		
D487,427 S *	3/2004	Franks, Jr.	D13/133
6,766,573 B2	7/2004	Long et al.		
D508,676 S	8/2005	Franks, Jr.		
7,122,739 B2	10/2006	Franks, Jr.		
D576,856 S *	9/2008	Franks, Jr.	D8/72

* cited by examiner

Primary Examiner—Daniel D Bui

Assistant Examiner—Thomas J Johannes

(74) *Attorney, Agent, or Firm*—Senniger Powers LLP

(57) **CLAIM**

The ornamental design for a grounding lug, as shown and described.

DESCRIPTION

FIG. 1 is a perspective view of a grounding lug showing my new design.

FIG. 2 is a right side elevational view thereof.

FIG. 3 is a left side elevational view thereof.

FIG. 4 is a front elevational view thereof.

FIG. 5 is a rear elevational view thereof.

FIG. 6 is a top view thereof; and,

FIG. 7 is a bottom view thereof.

The broken line portion of FIGS. 1 and 6 showing the slot of the lug in broken line is included to show unclaimed subject matter only and forms no part of the claimed design.

1 Claim, 7 Drawing Sheets

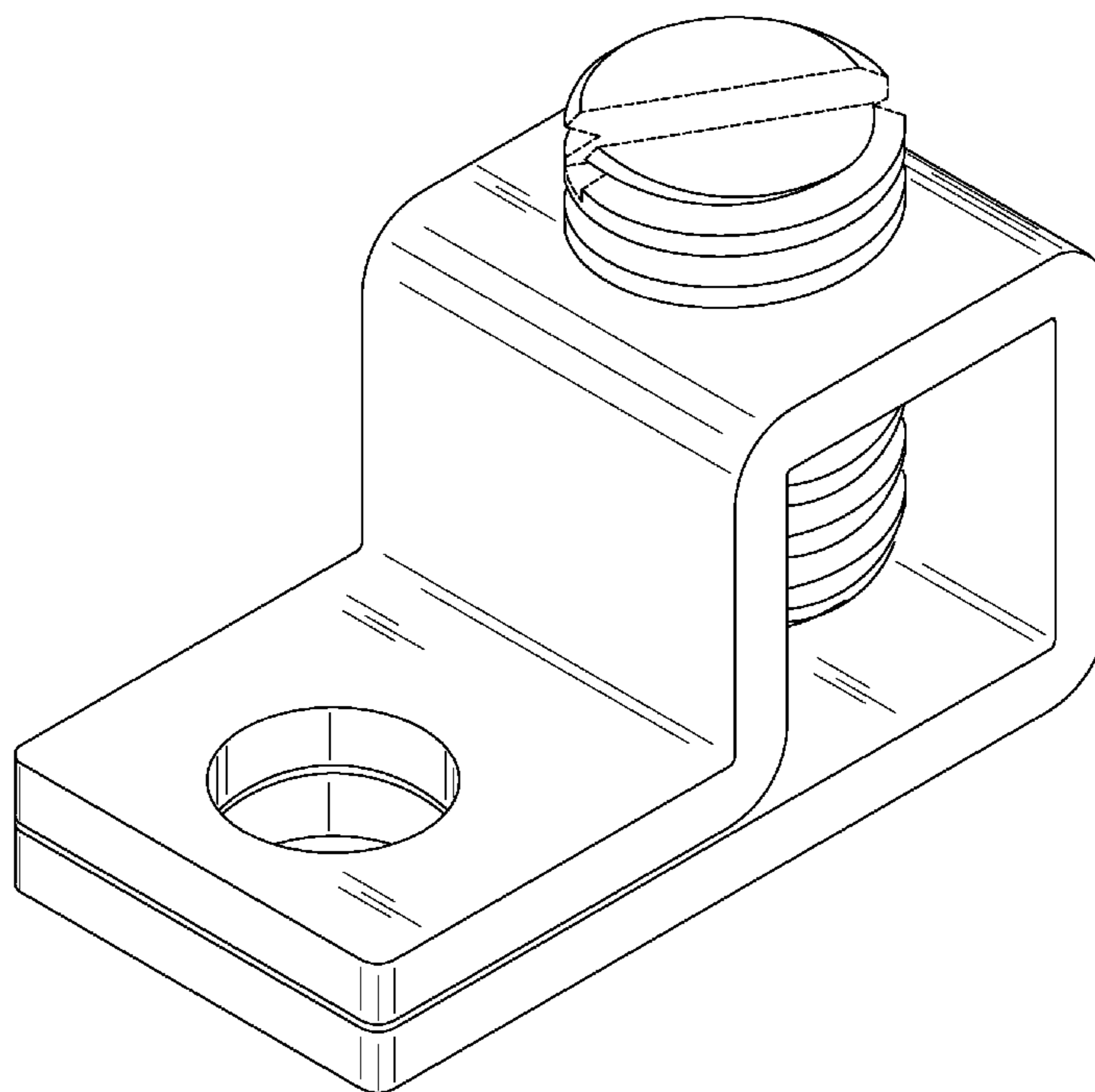


FIG. 1

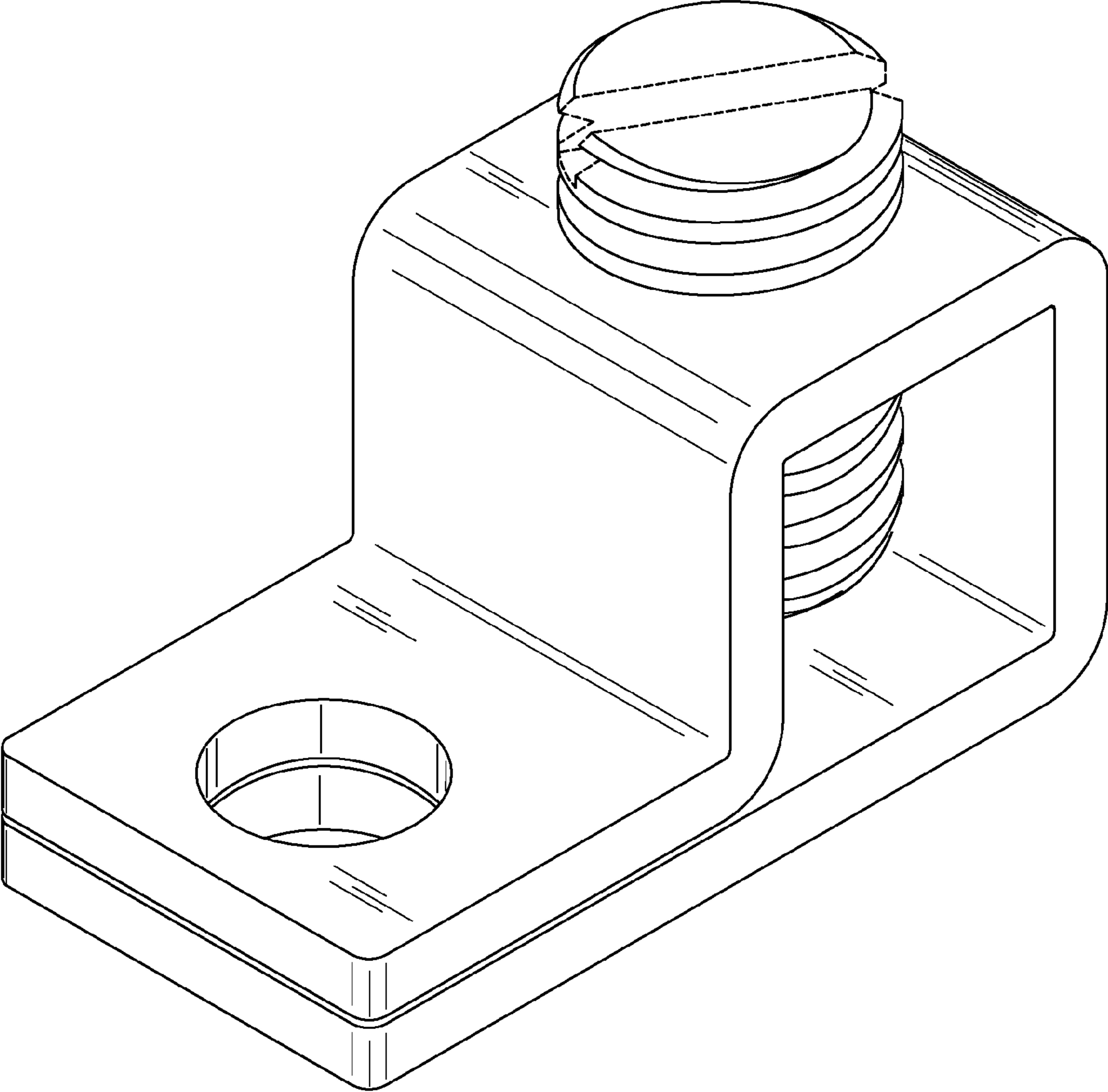


FIG. 2

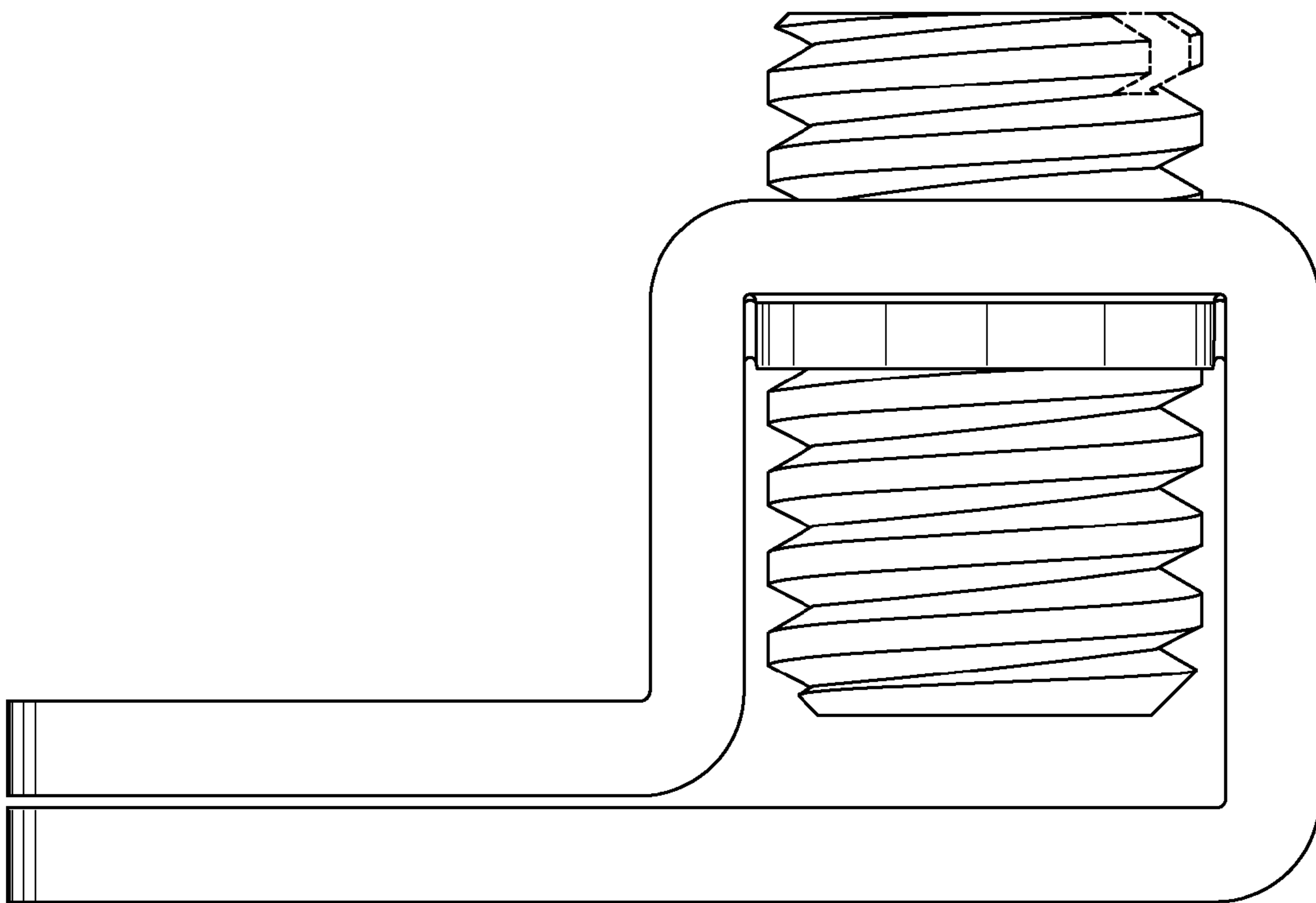


FIG. 3

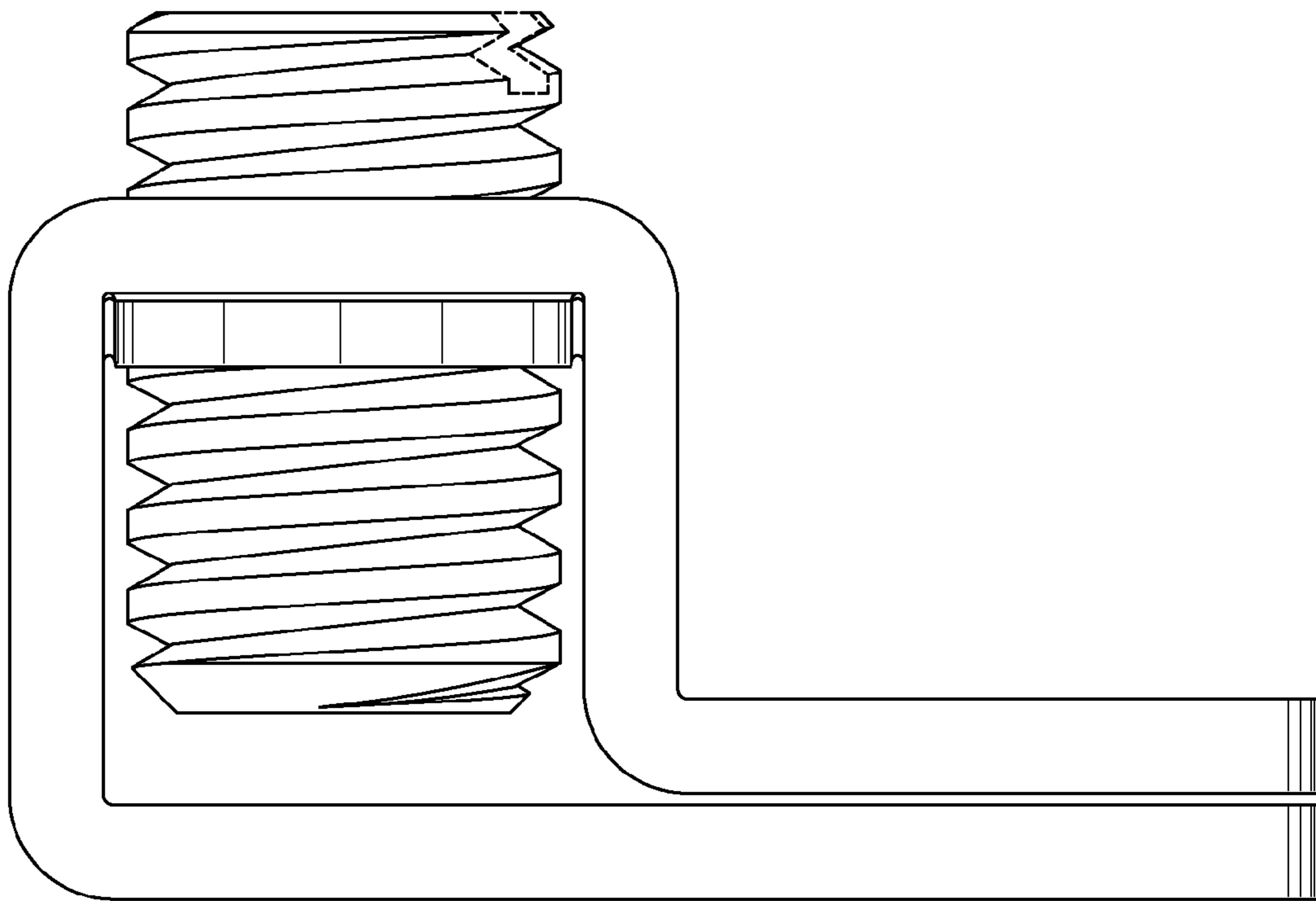


FIG. 4

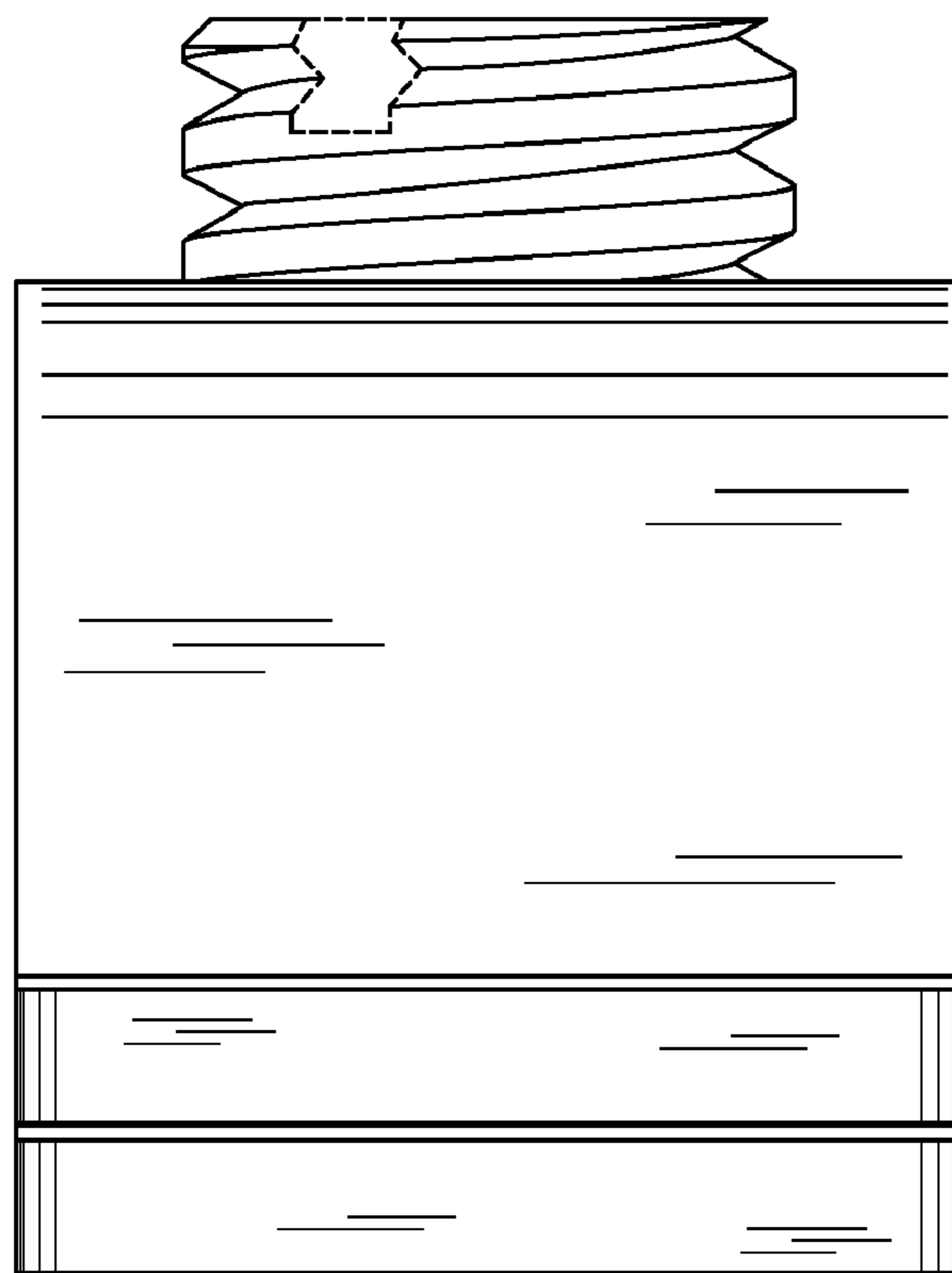


FIG. 5

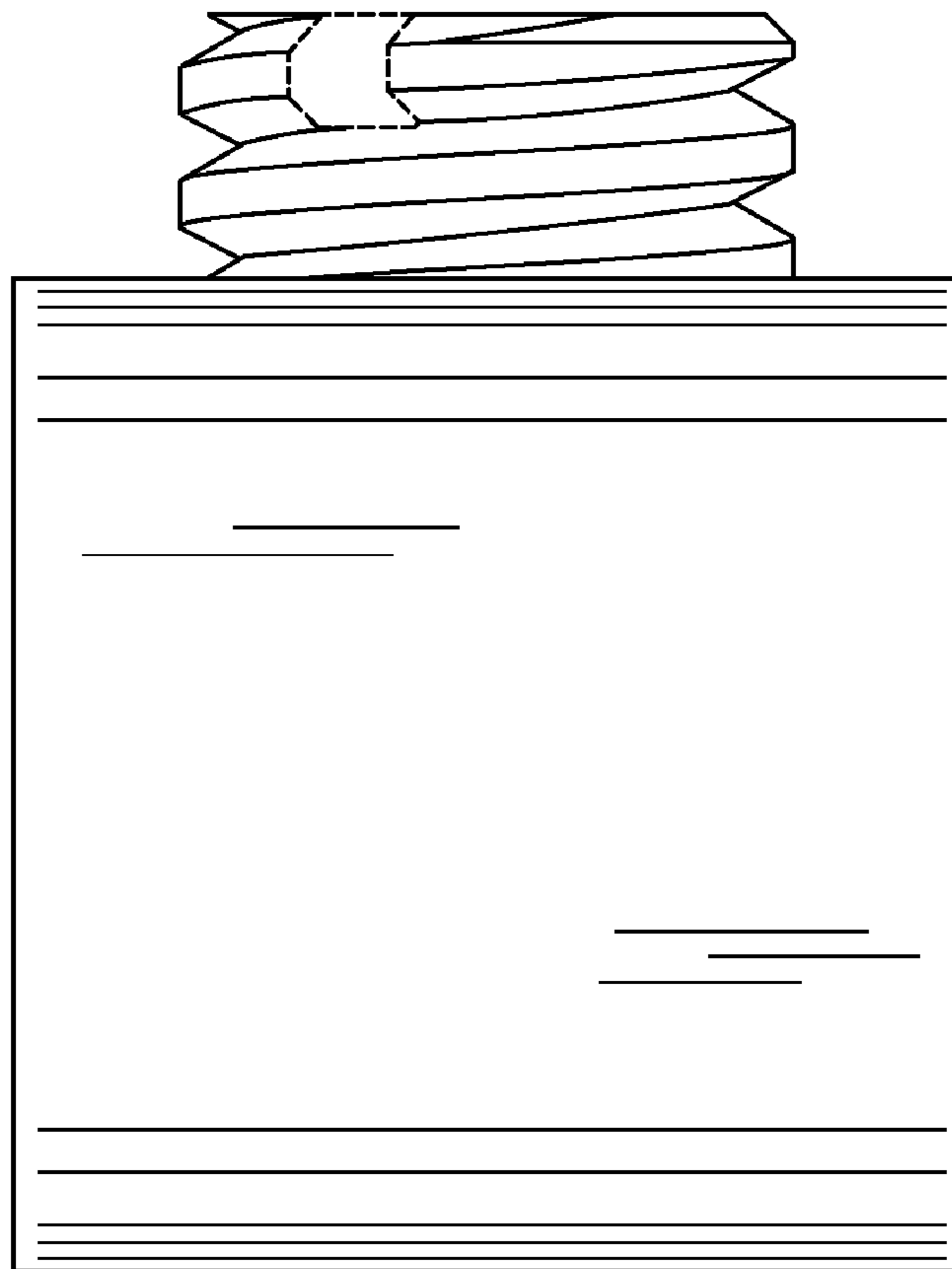


FIG. 6

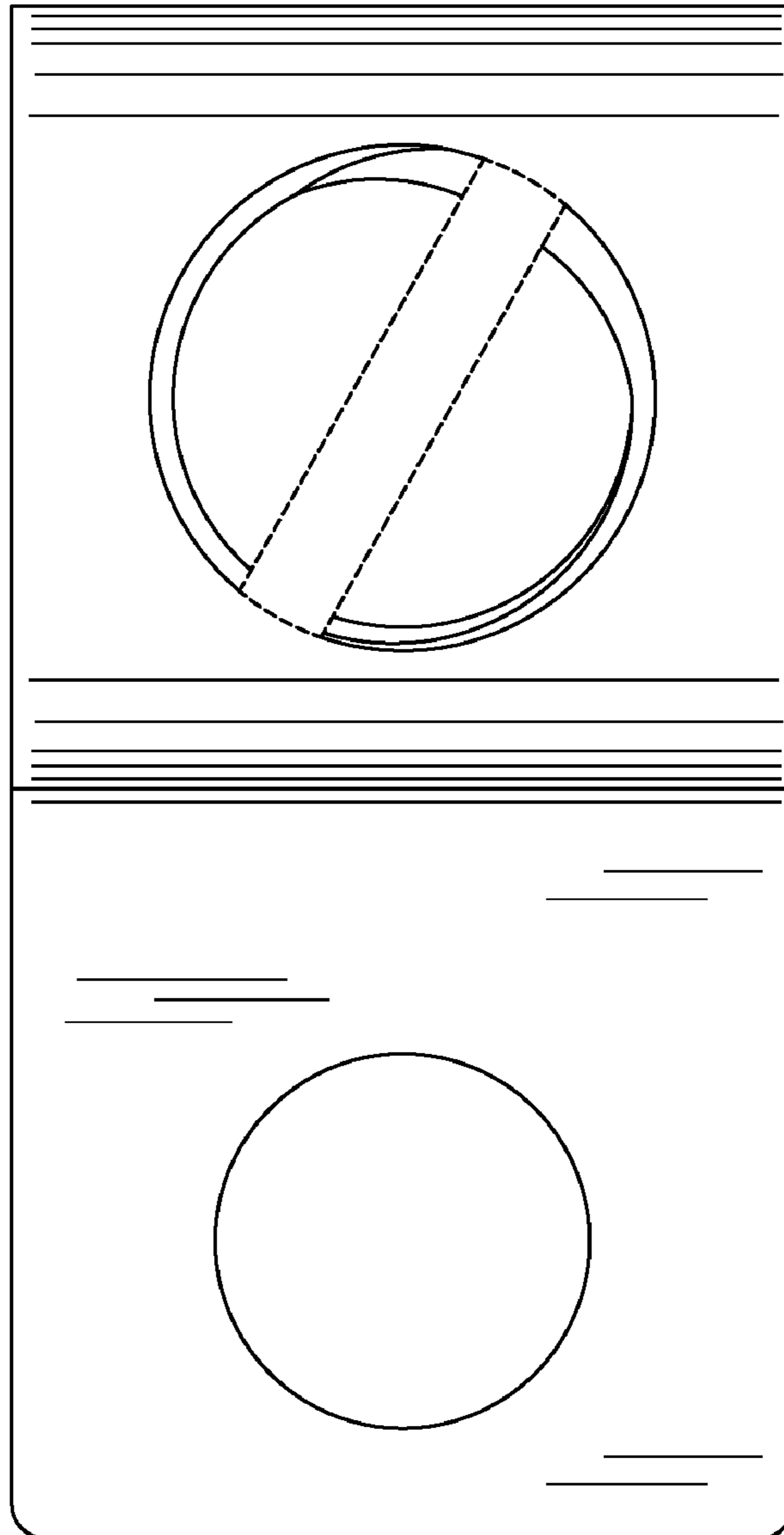


FIG. 7

