

US00D585829S

(12) **United States Design Patent**
Ko et al.

(10) **Patent No.:** **US D585,829 S**
(45) **Date of Patent:** **** Feb. 3, 2009**

(54) **ELECTRICAL CONNECTOR**

(75) Inventors: **David Tso-Chin Ko**, Cypress, CA (US);
Xue-Yuan Xiao, Kunshan (CN);
Shu-Qiang Zhao, Kunshan (CN)

(73) Assignee: **Hon Hai Precision Ind. Co., Ltd.**,
Taipei Hsien (TW)

(**) Term: **14 Years**

(21) Appl. No.: **29/271,435**

(22) Filed: **Jan. 18, 2007**

(51) **LOC (9) Cl.** **13-03**

(52) **U.S. Cl.** **D13/147**

(58) **Field of Classification Search** D13/146-147,
D13/154, 184; 439/79, 108, 607-610, 660,
439/668, 680

See application file for complete search history.

(56) **References Cited**

U.S. PATENT DOCUMENTS

D427,975 S * 7/2000 Zhu et al. D13/147
D446,773 S * 8/2001 Yao et al. D13/147

D465,202 S * 11/2002 Kubota D13/147
D540,746 S * 4/2007 Watanabe et al. D13/147
D543,151 S * 5/2007 Watanabe et al. D13/147
D555,100 S * 11/2007 Ikegami D13/147
D569,345 S * 5/2008 Ikegami D13/147

* cited by examiner

Primary Examiner—Daniel D Bui

(74) *Attorney, Agent, or Firm*—Wei Te Chung

(57) **CLAIM**

The ornamental design for an electrical connector, as shown.

DESCRIPTION

FIG. 1 is a front, top and right side perspective view of an electrical connector showing our new design;

FIG. 2 is a front elevational view of FIG. 1;

FIG. 3 is a rear elevational view of FIG. 1;

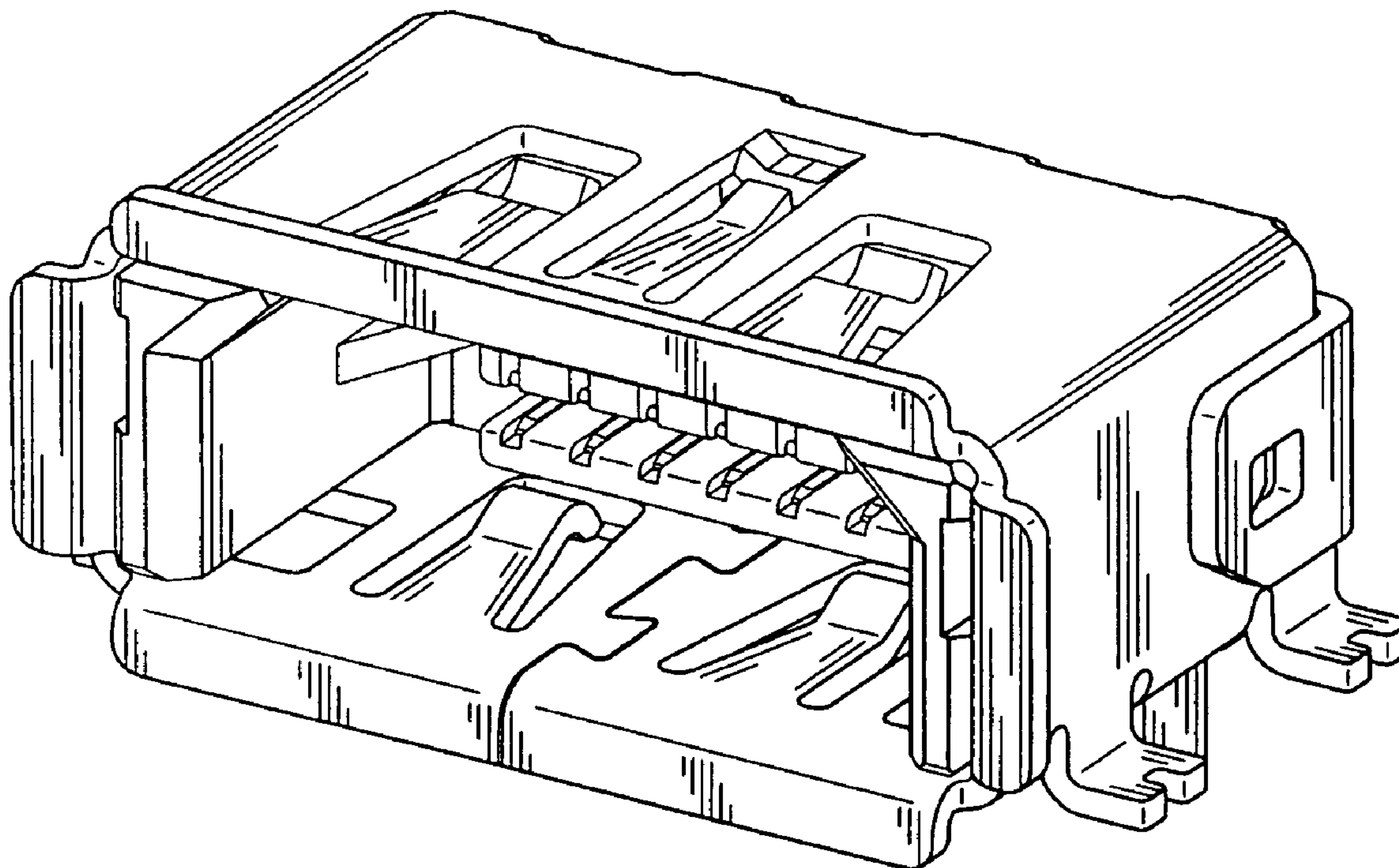
FIG. 4 is a left side elevational view of FIG. 1;

FIG. 5 is a right side elevational view of FIG. 1;

FIG. 6 is a top plan view of FIG. 1; and,

FIG. 7 is a bottom plan view of FIG. 1.

1 Claim, 7 Drawing Sheets



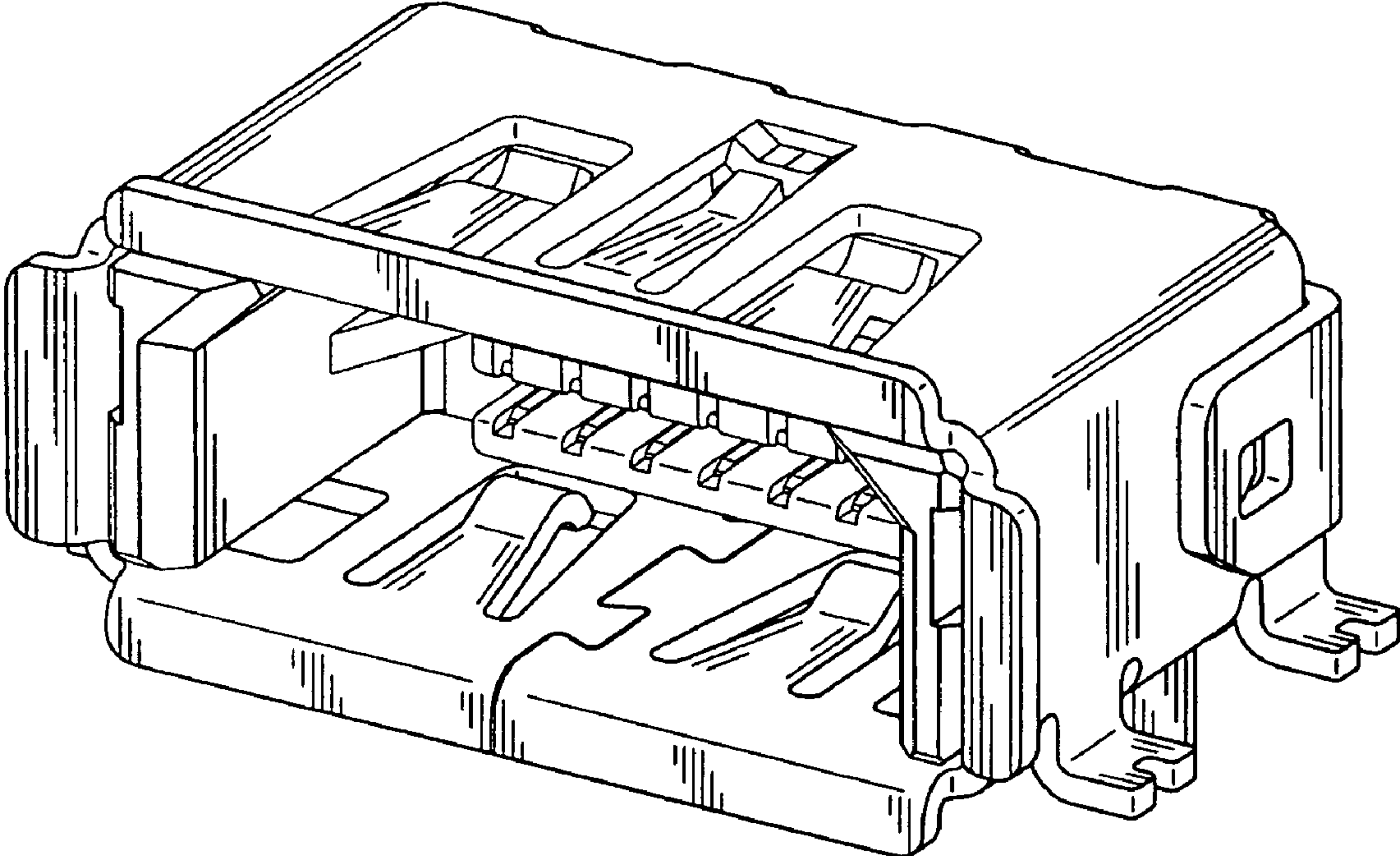


FIG. 1

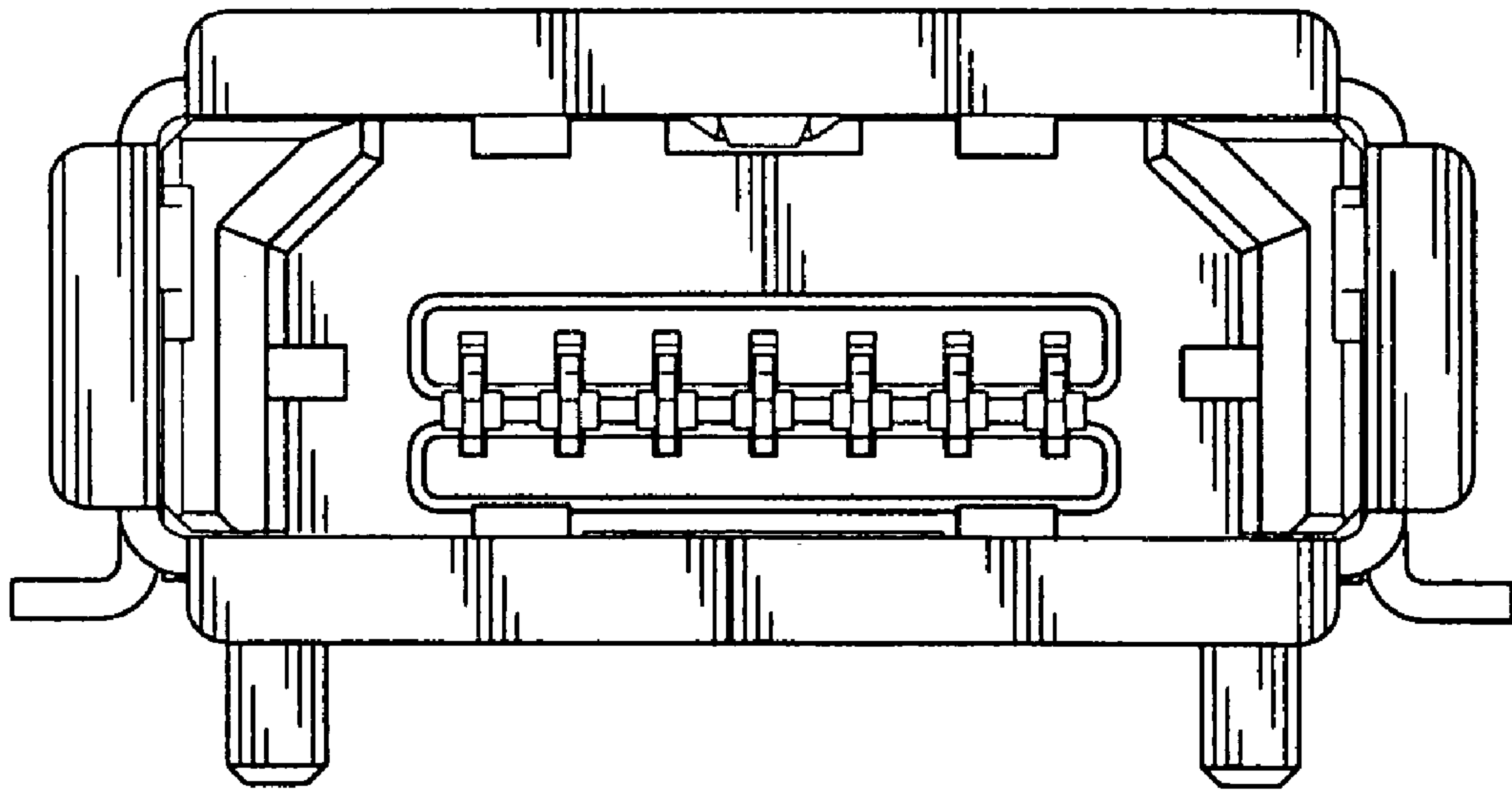


FIG. 2

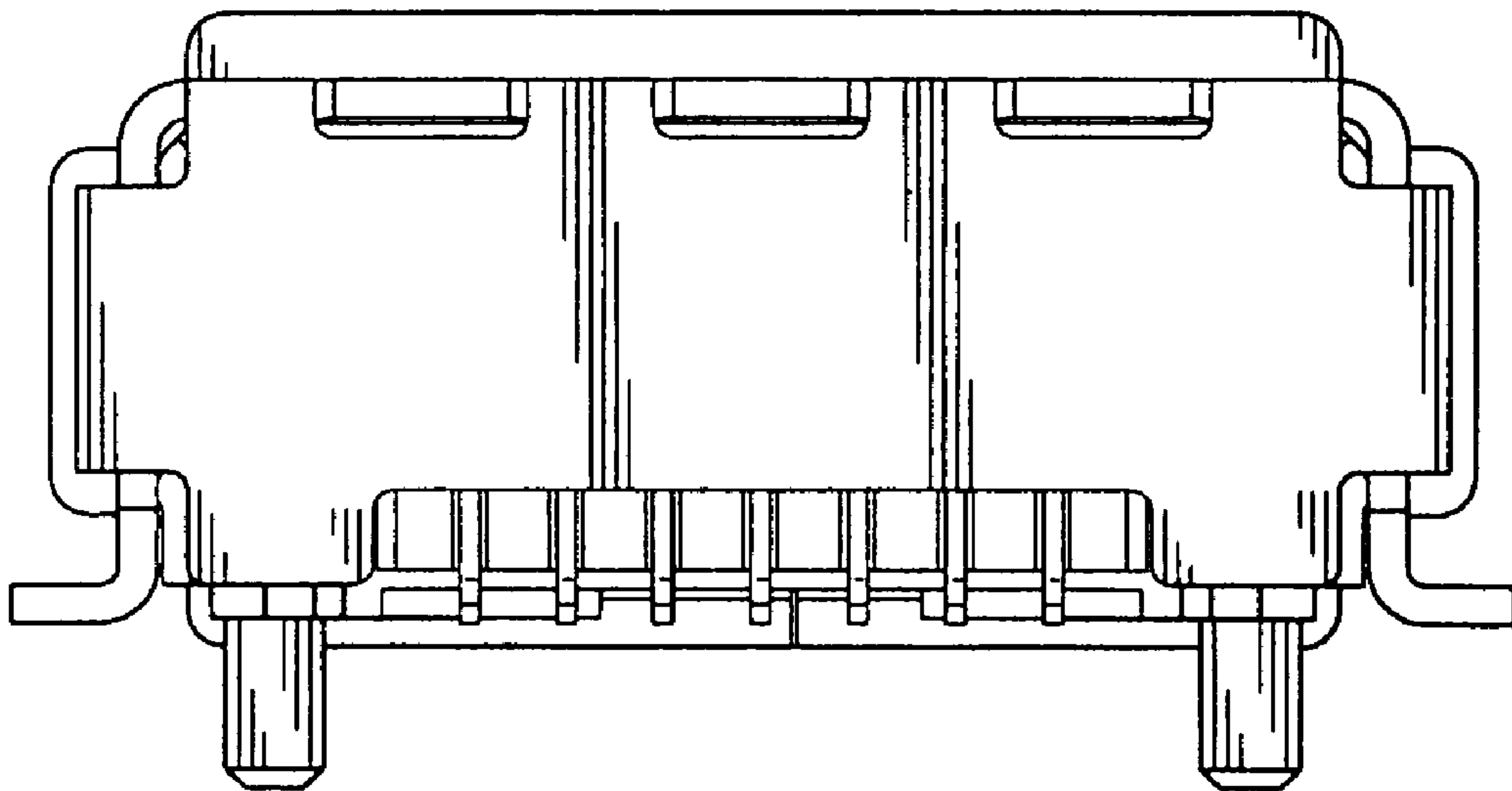


FIG. 3

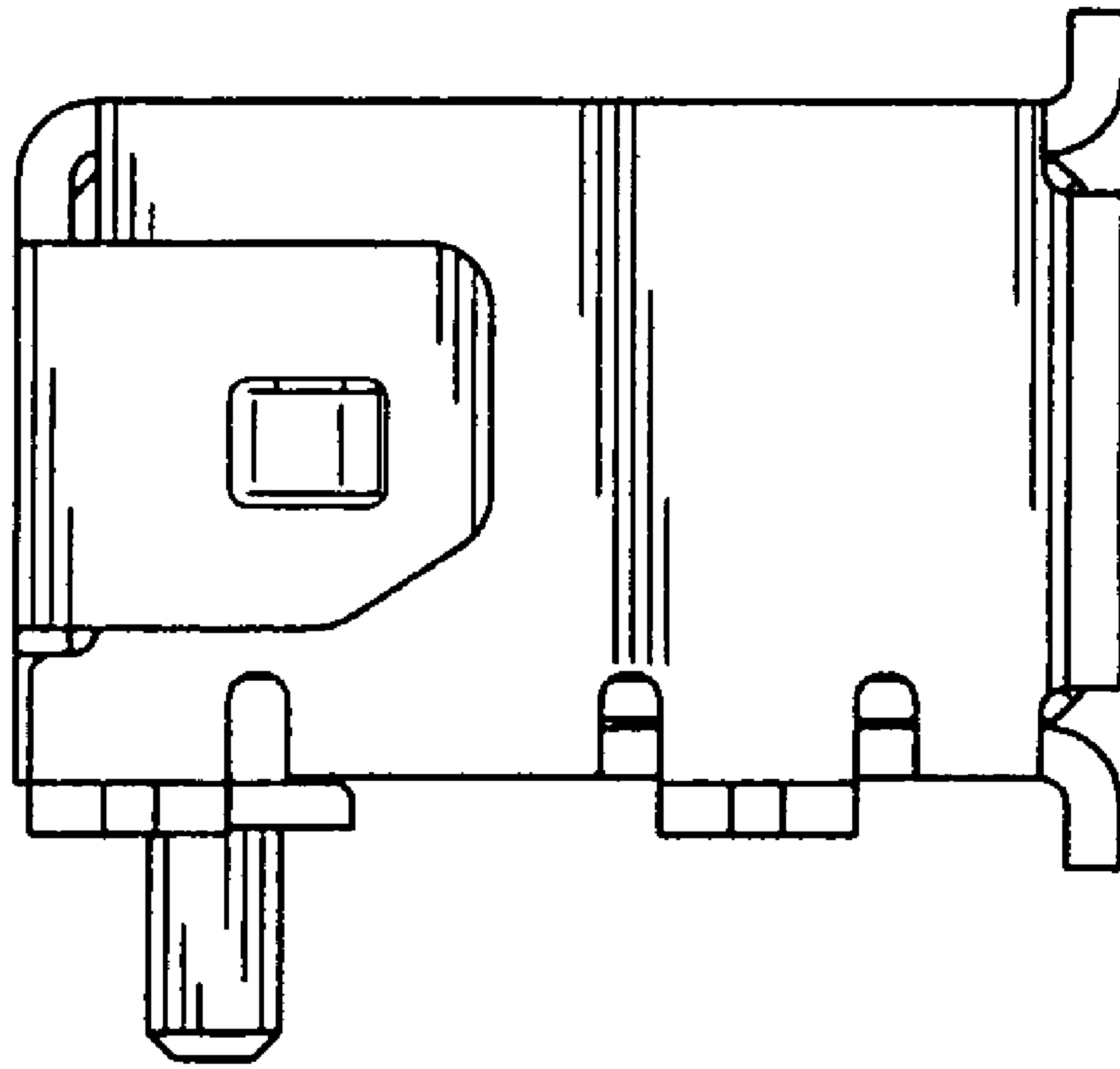


FIG. 4

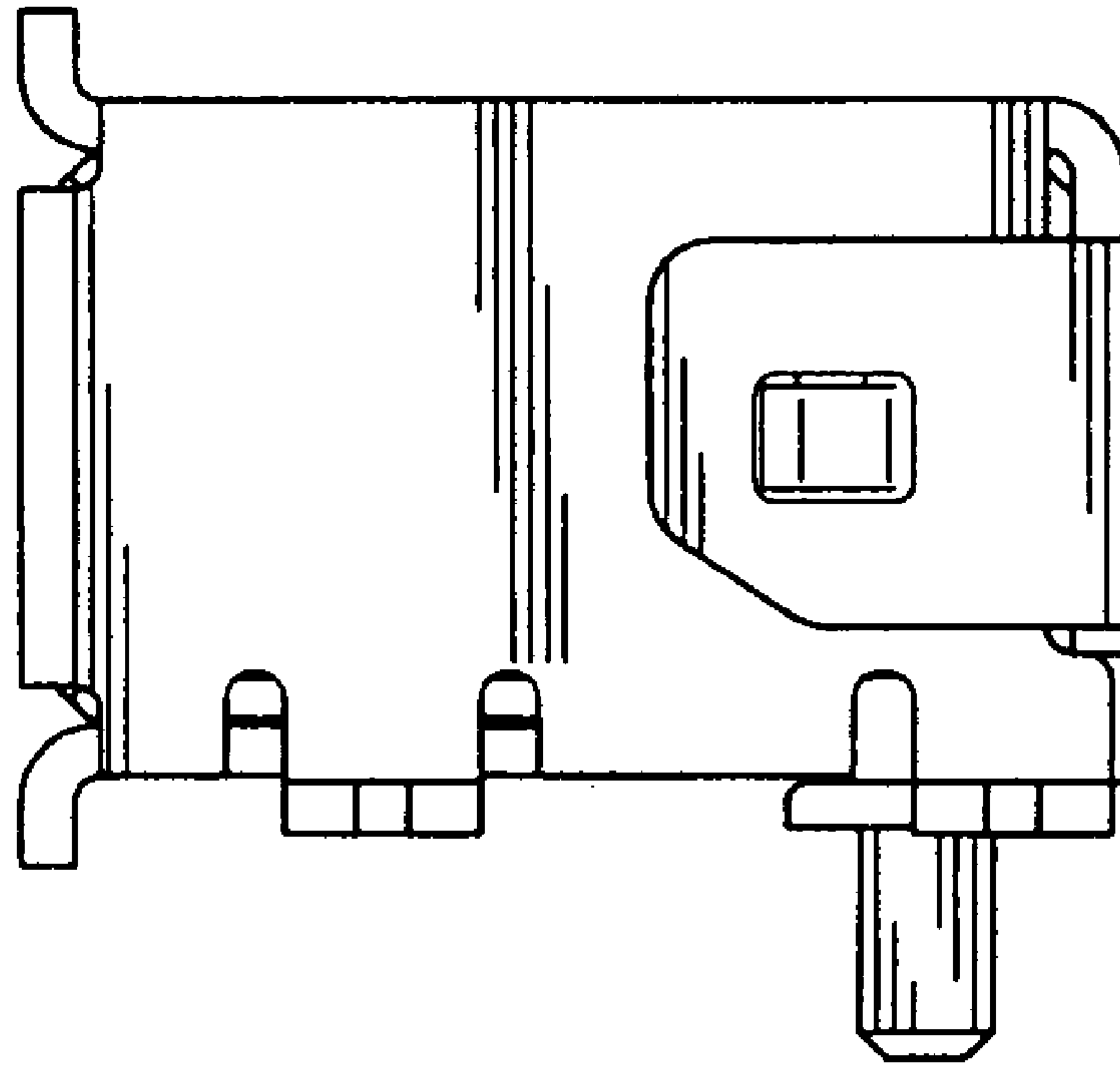


FIG. 5

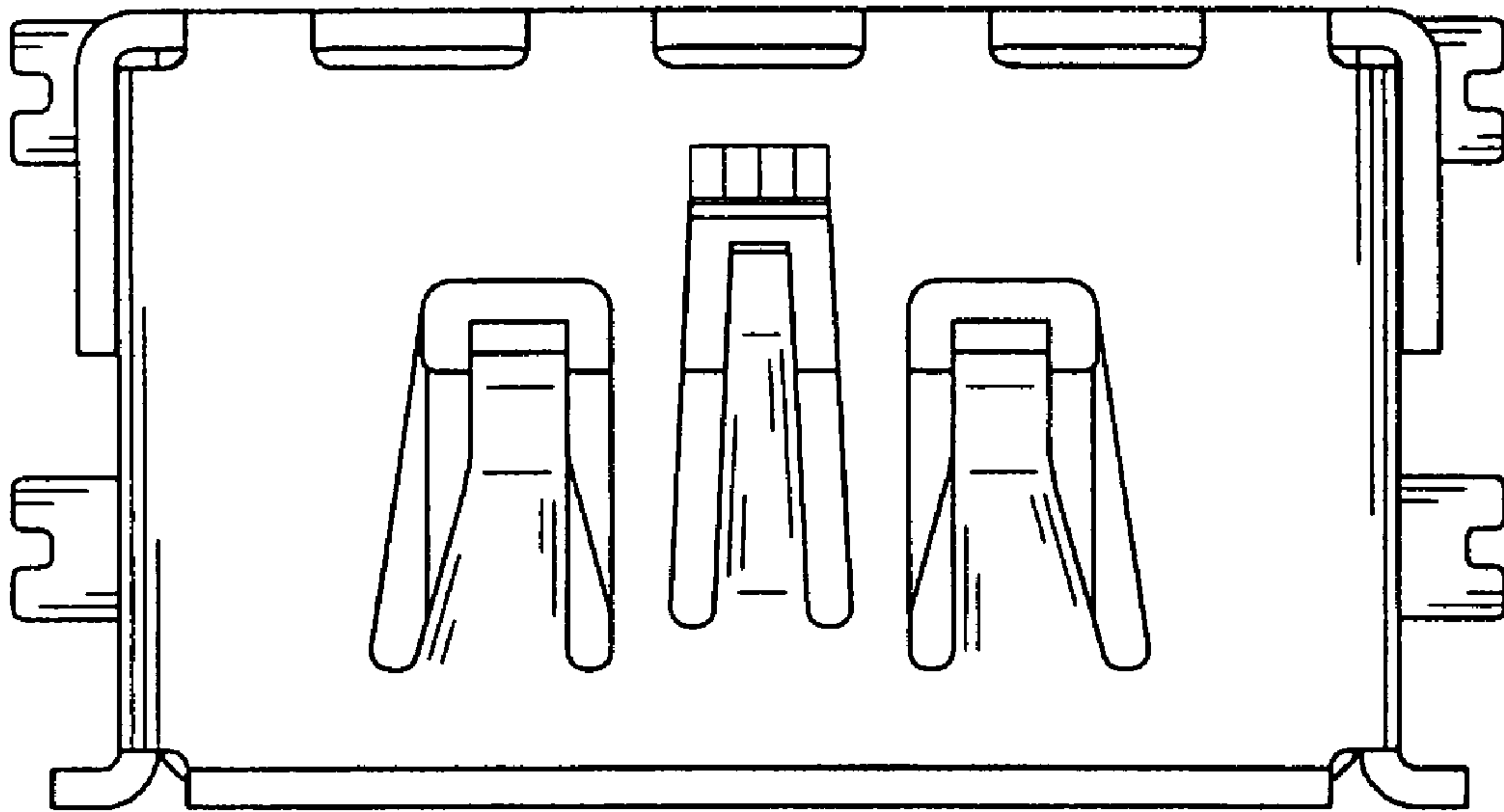


FIG. 6

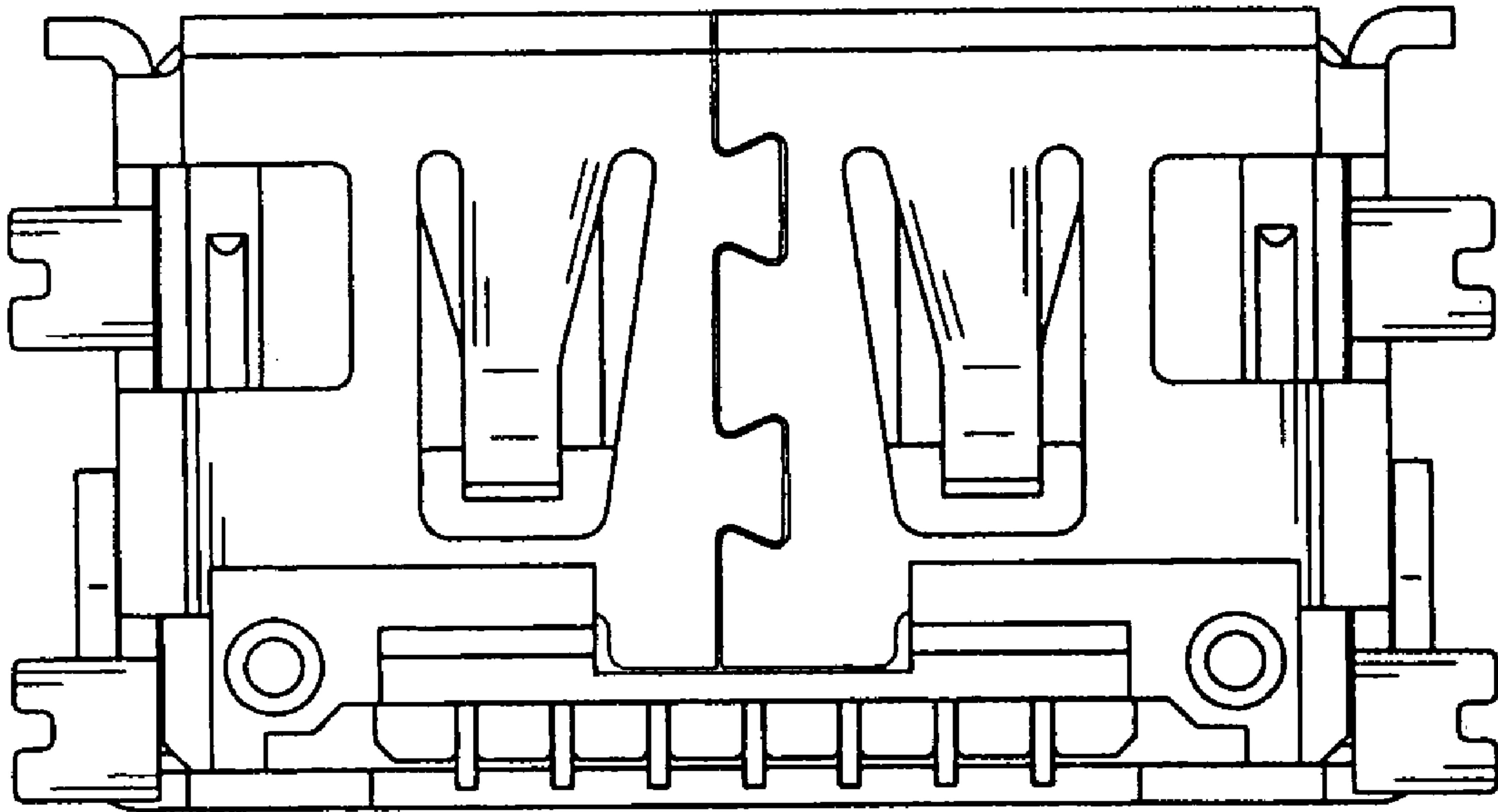


FIG. 7