



US00D585828S

(12) **United States Design Patent**
Ma

(10) **Patent No.:** **US D585,828 S**
(45) **Date of Patent:** **** Feb. 3, 2009**

(54) **ELECTRICAL CONNECTOR**

(75) Inventor: **Zhong-Jun Ma**, ShenZhen (CN)

(73) Assignee: **Hon Hai Precision Ind. Co., Ltd.**,
Taipei Hsien (TW)

(**) Term: **14 Years**

(21) Appl. No.: **29/293,484**

(22) Filed: **Nov. 28, 2007**

(30) **Foreign Application Priority Data**

May 28, 2007 (TW) 96302928

(51) **LOC (9) Cl.** **13-03**

(52) **U.S. Cl.** **D13/146; D13/147**

(58) **Field of Classification Search** D13/120,
D13/147, 154, 184; D14/432, 433, 436,
D14/438; 361/684-685; 439/64, 79, 159-160,
439/330-331, 341-342, 607-610, 629-630,
439/660, 946

See application file for complete search history.

(56) **References Cited**

U.S. PATENT DOCUMENTS

D486,448 S * 2/2004 Watanabe et al. D13/120
D529,443 S * 10/2006 Chien D13/147
D538,228 S * 3/2007 Wang et al. D13/146
D557,212 S * 12/2007 Huang et al. D13/120
D561,098 S * 2/2008 Kobayashi D13/120

D562,241 S * 2/2008 Hsu et al. D13/146
D562,251 S * 2/2008 Ma et al. D13/147
D563,322 S * 3/2008 Ma D13/146

FOREIGN PATENT DOCUMENTS

JP D1126567 9/2001
TW D114576 12/2006

* cited by examiner

Primary Examiner—Daniel D Bui

(74) *Attorney, Agent, or Firm*—Wei Te Chung

(57) **CLAIM**

The ornamental design for an electrical connector, as shown.

DESCRIPTION

FIG. 1 is a perspective view of an electrical connector showing my new design;

FIG. 2 is a front elevational view of FIG. 1;

FIG. 3 is a rear elevational view of FIG. 1;

FIG. 4 is a left side elevational view of FIG. 1;

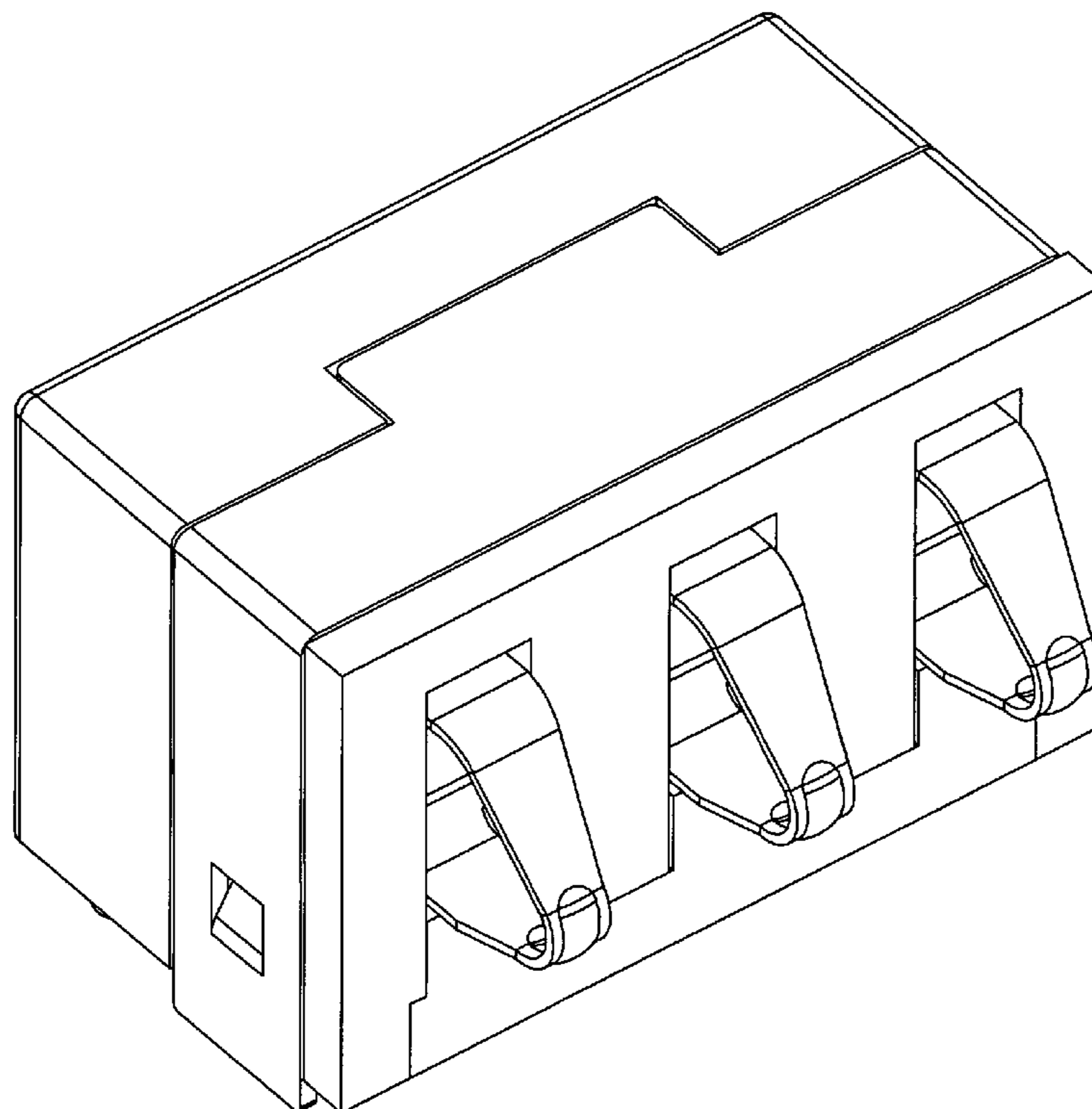
FIG. 5 is a right side elevational view of FIG. 1;

FIG. 6 is a top plan view of FIG. 1; and,

FIG. 7 is a bottom plan view of FIG. 1.

The broken line portion in FIG. 7 is included to show unclaimed subject matter only and forms no part of the claimed design.

1 Claim, 7 Drawing Sheets



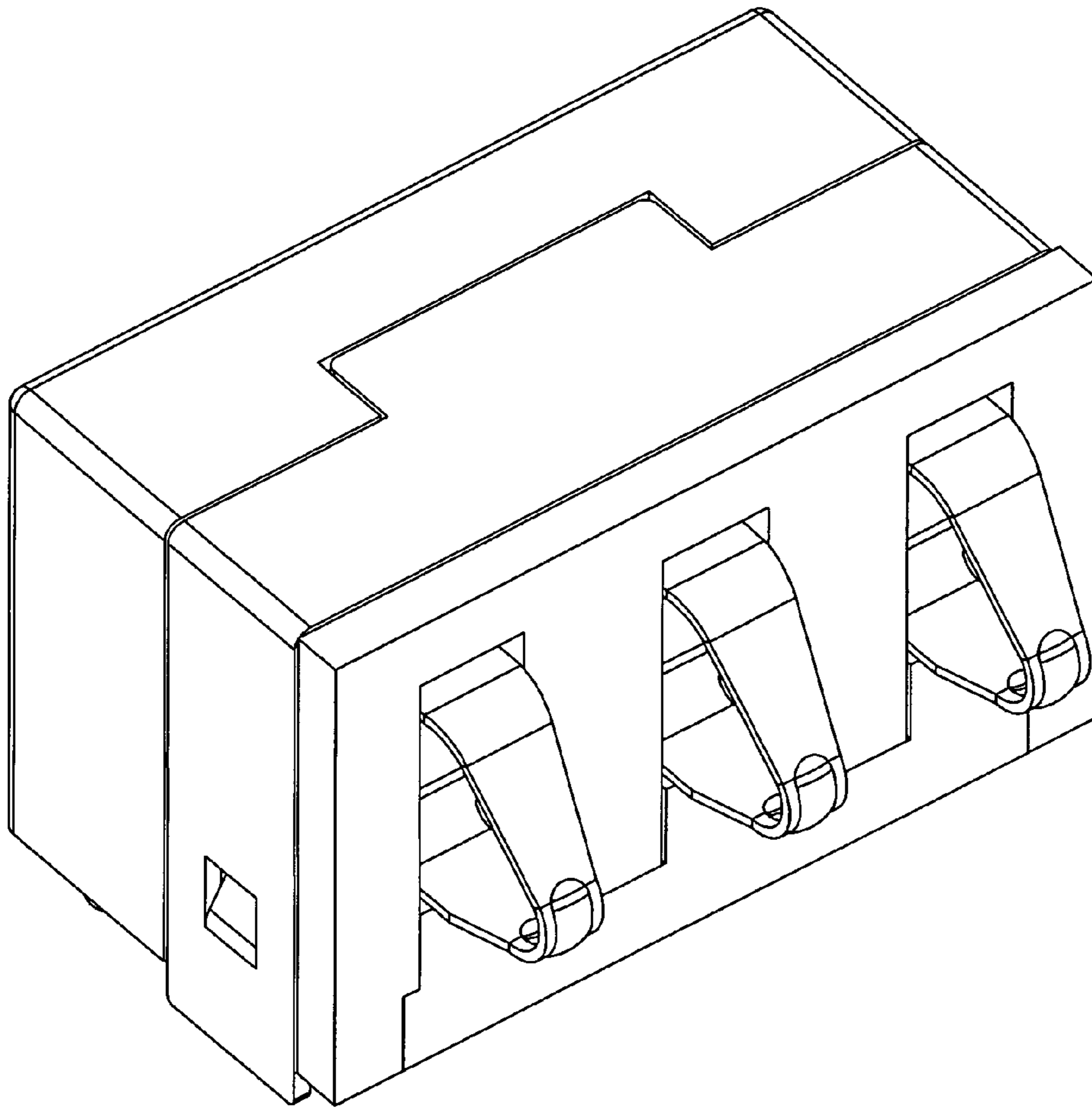


FIG. 1

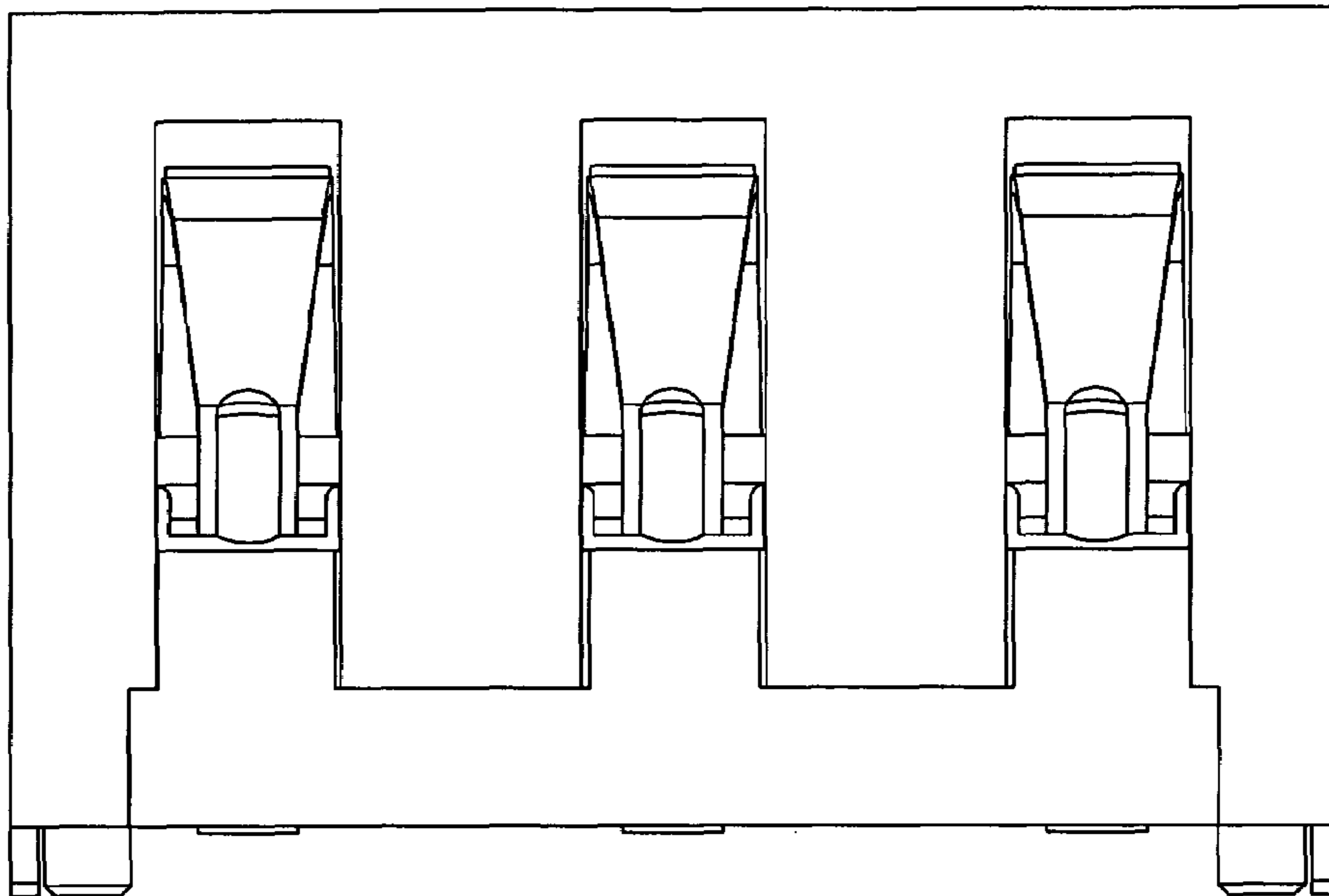


FIG. 2

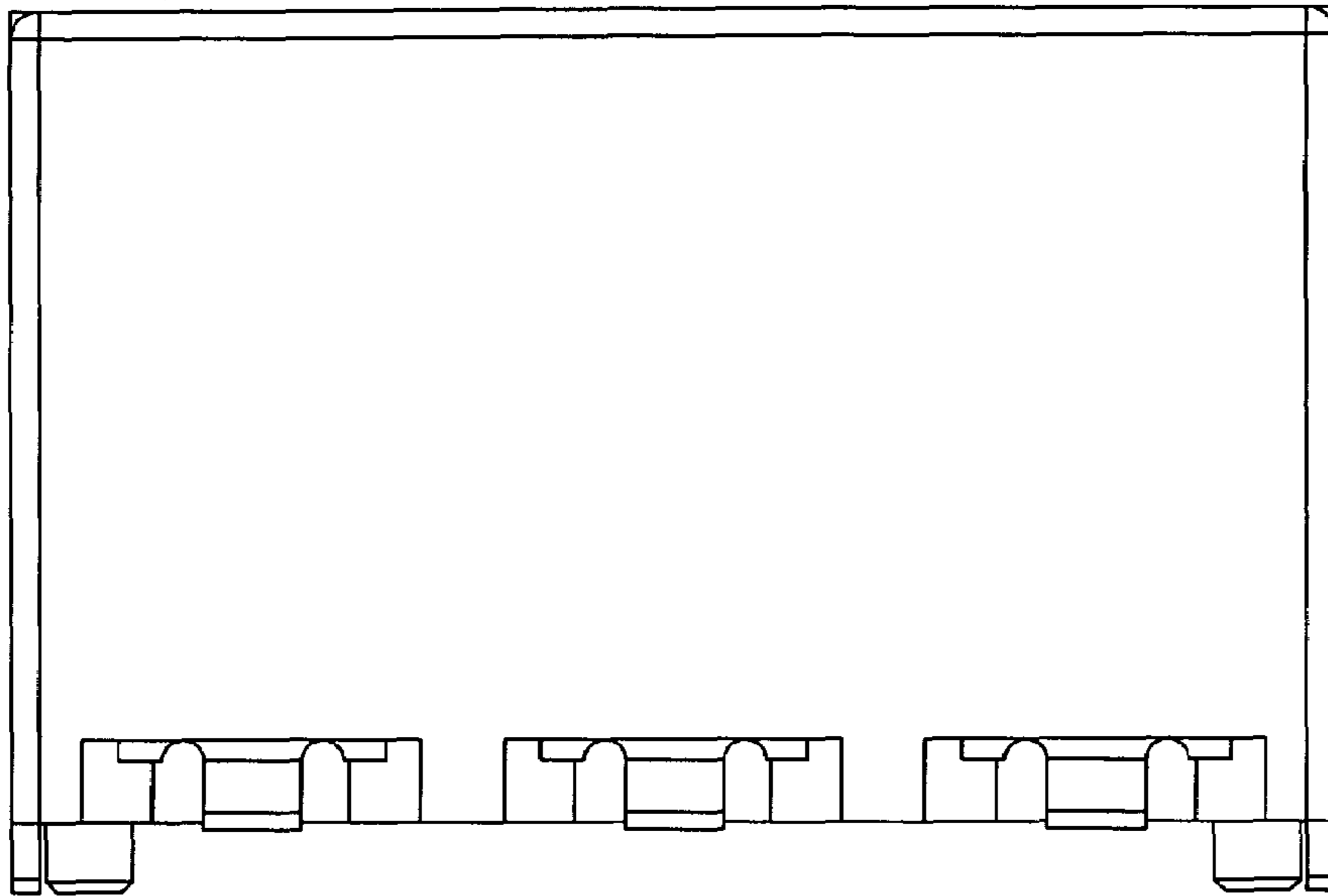


FIG. 3

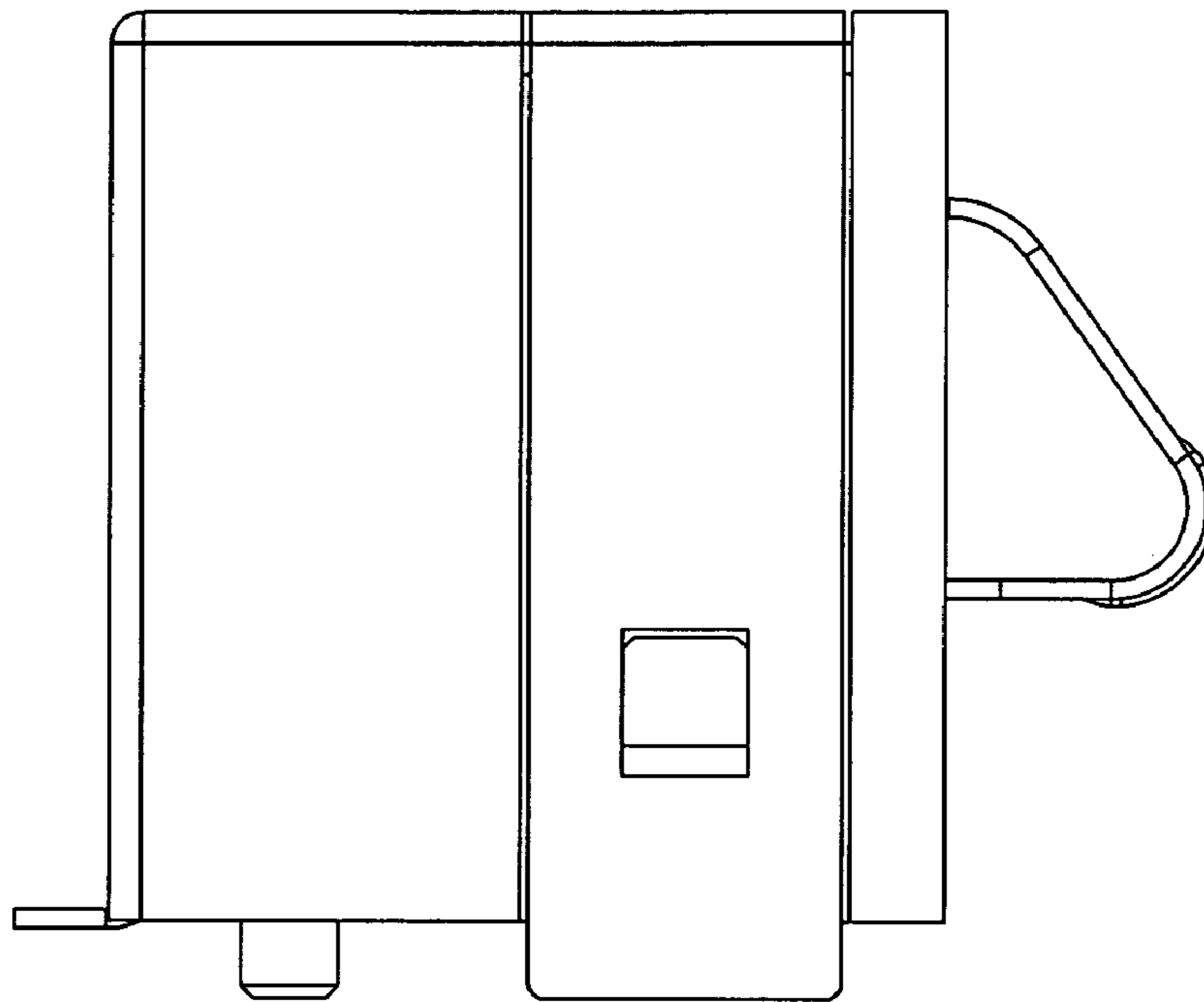


FIG. 4

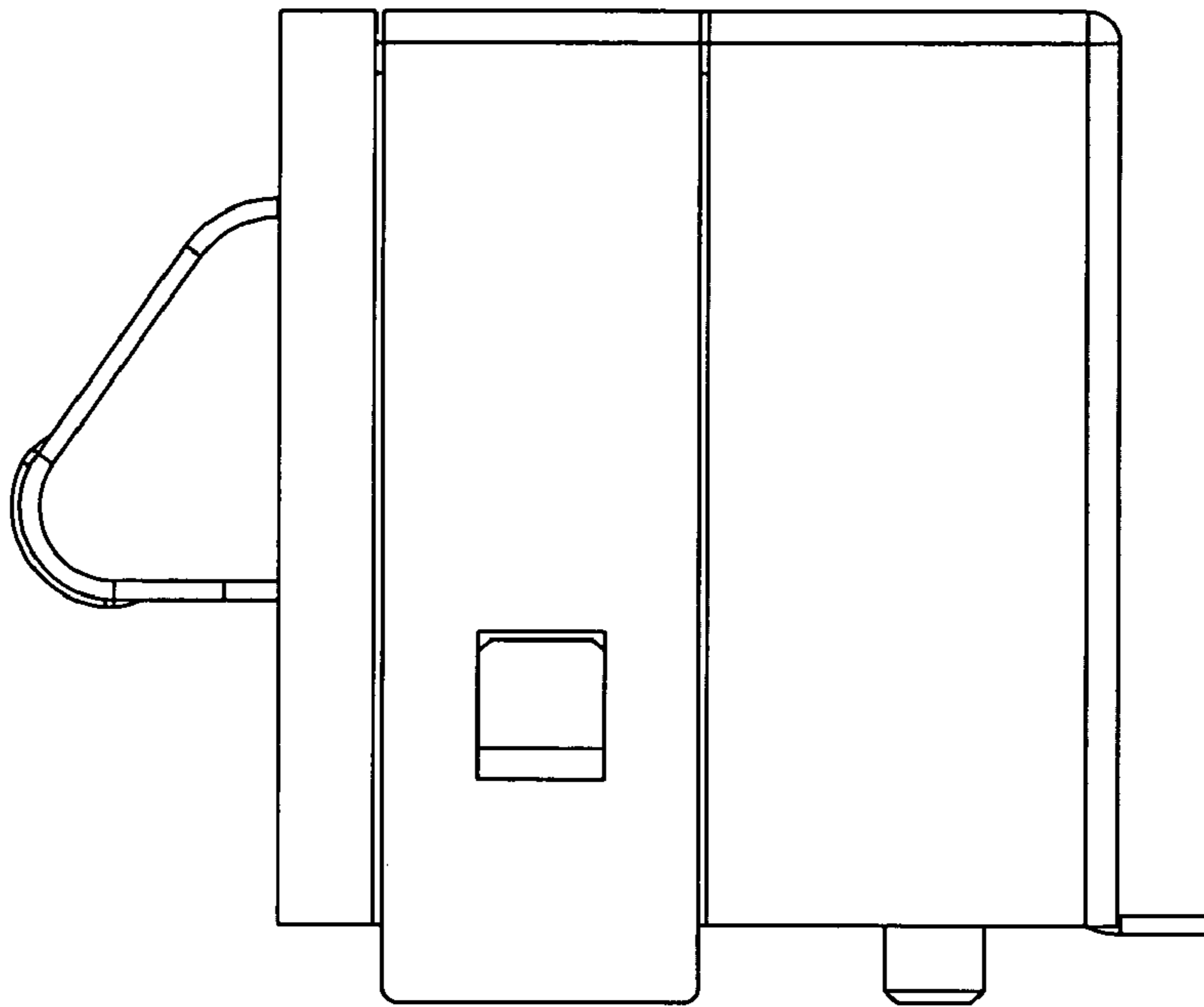


FIG. 5

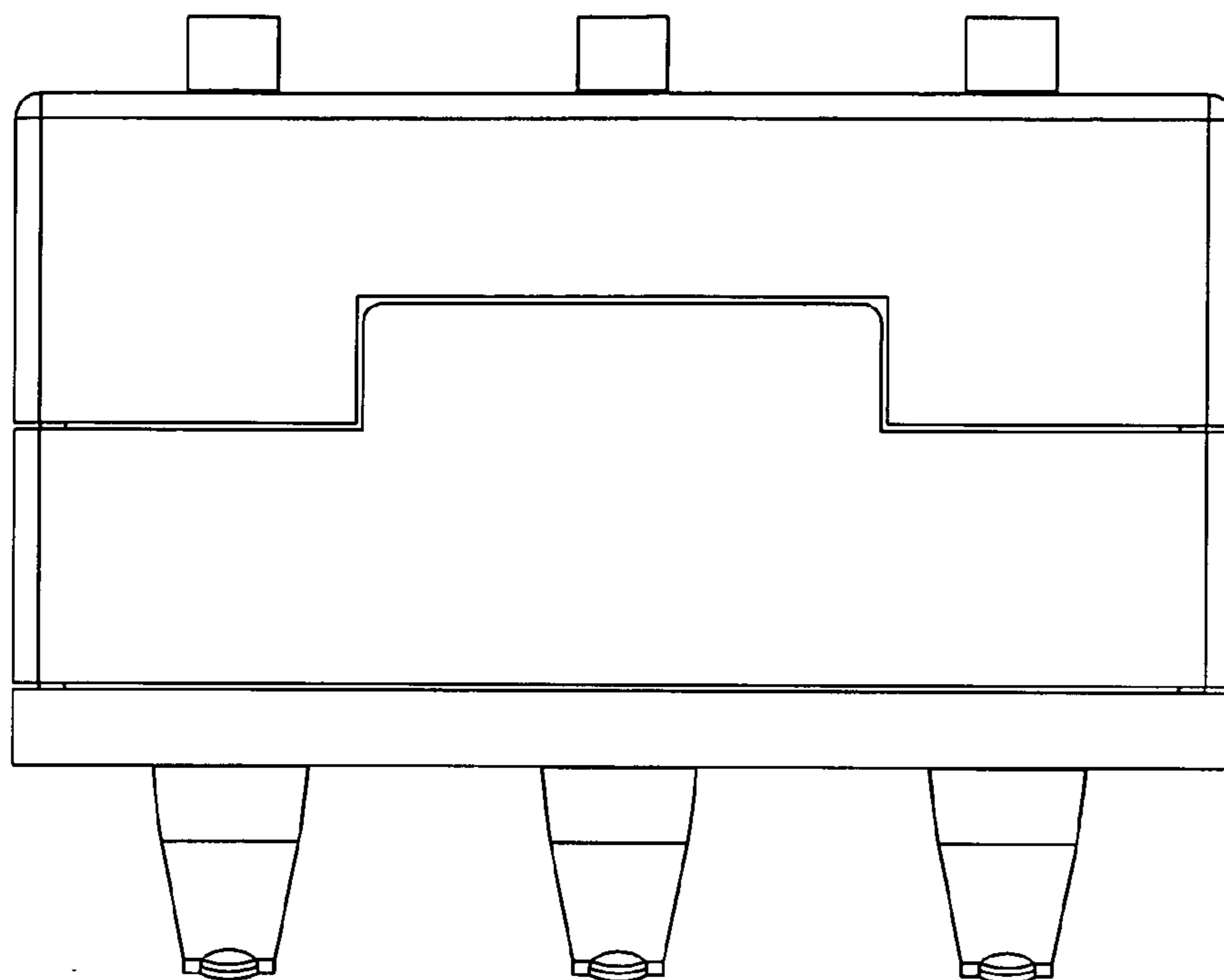


FIG. 6

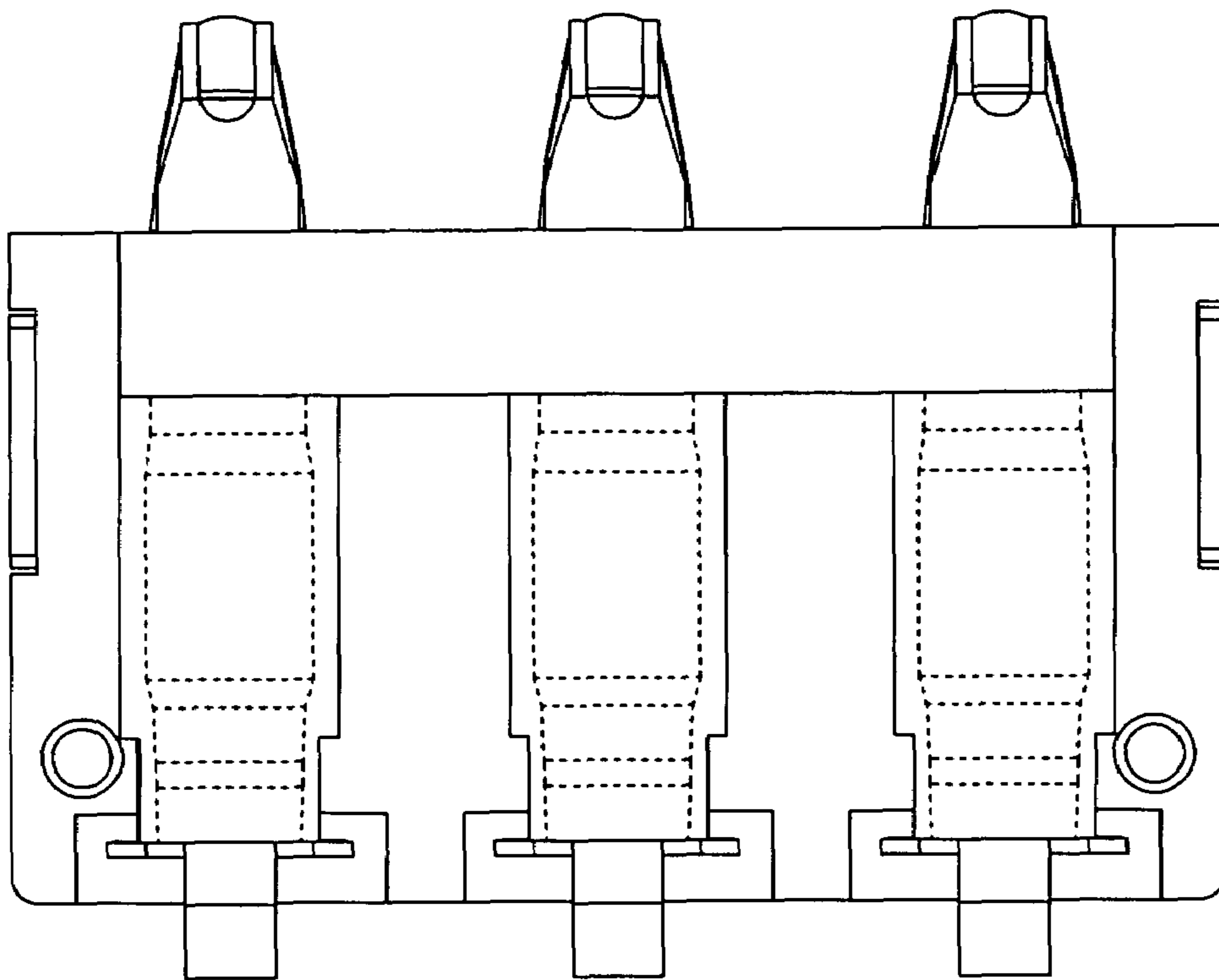


FIG. 7