



US00D585823S

(12) **United States Design Patent**
Guccione

(10) **Patent No.:** **US D585,823 S**

(45) **Date of Patent:** **** Feb. 3, 2009**

(54) **MULTI-HEAD CHARGING ADAPTER**

(75) Inventor: **Darren S. Guccione**, Wheaton, IL (US)

(73) Assignee: **Callpod, Inc**, Chicago, IL (US)

(**) Term: **14 Years**

(21) Appl. No.: **29/246,724**

(22) Filed: **May 5, 2006**

(51) **LOC (9) Cl.** **13-02**

(52) **U.S. Cl.** **D13/108**

(58) **Field of Classification Search** D13/107–110,
D13/118–119, 133, 184, 199; D14/251,
D14/253, 432, 434; 320/107–115; 361/686,
361/728, 622; 439/607–10, 101
See application file for complete search history.

(56) **References Cited**

U.S. PATENT DOCUMENTS

D290,352 S *	6/1987	Knickerbocker	D14/256
D429,689 S *	8/2000	Barragan, Jr.	D13/144
D471,542 S *	3/2003	Sim	D14/240
D473,516 S *	4/2003	Gresham et al.	D13/139.4
D512,718 S *	12/2005	Mori et al.	D14/434
D514,095 S *	1/2006	Wilson et al.	D14/223
D516,074 S *	2/2006	Ho et al.	D14/433
D546,283 S *	7/2007	Cho	D13/110
D548,688 S *	8/2007	Fee et al.	D13/107

* cited by examiner

Primary Examiner—Jennifer Rivard
Assistant Examiner—Rosemary K Tarcza

(74) *Attorney, Agent, or Firm*—Levenfeld Pearlstein, LLC

(57) **CLAIM**

The ornamental design for a multi-head charging adapter, as shown and described.

DESCRIPTION

FIG. 1 is a top perspective view of the multi-head charging adapter embodying my new invention;

FIG. 2 is a bottom perspective view of the multi-head charging adapter;

FIG. 3 is a top view of the multi-head charging adapter;

FIG. 4 is a bottom view of the multi-head charging adapter;

FIG. 5 is a front side view of the multi-head charging adapter;

FIG. 6 is a left side view of the multi-head charging adapter;

FIG. 7 is a right side view of the multi-head charging adapter;

and,

FIG. 8 is a rear side view of the multi-head charging adapter.

The broken line showing of the lettering and numbering in FIGS. 1, 3, 5, 6, 7, and 8 is included for the purpose of illustrating environmental structure and forms no part of the claimed design.

1 Claim, 3 Drawing Sheets

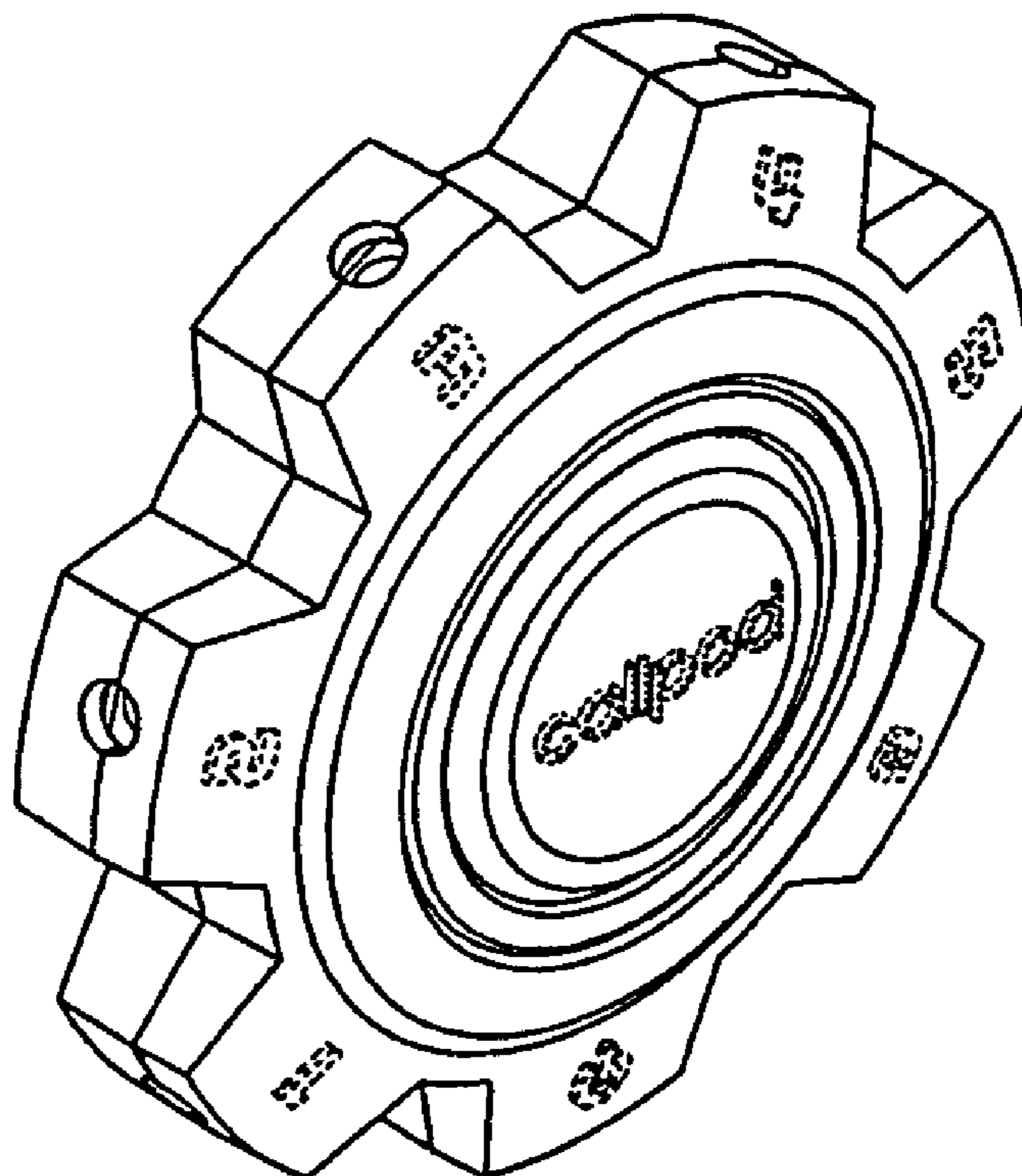


FIG. 1

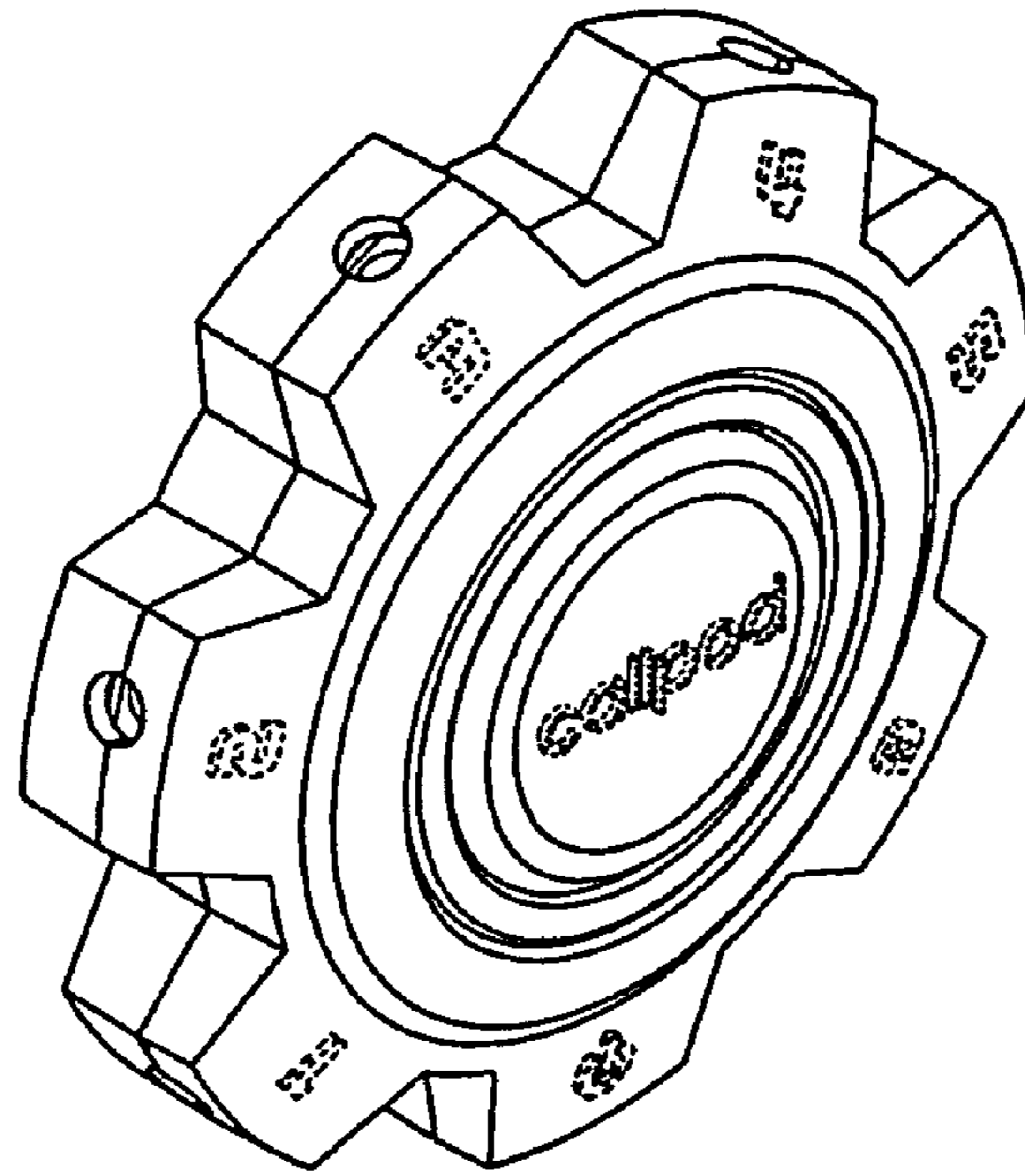


FIG. 2

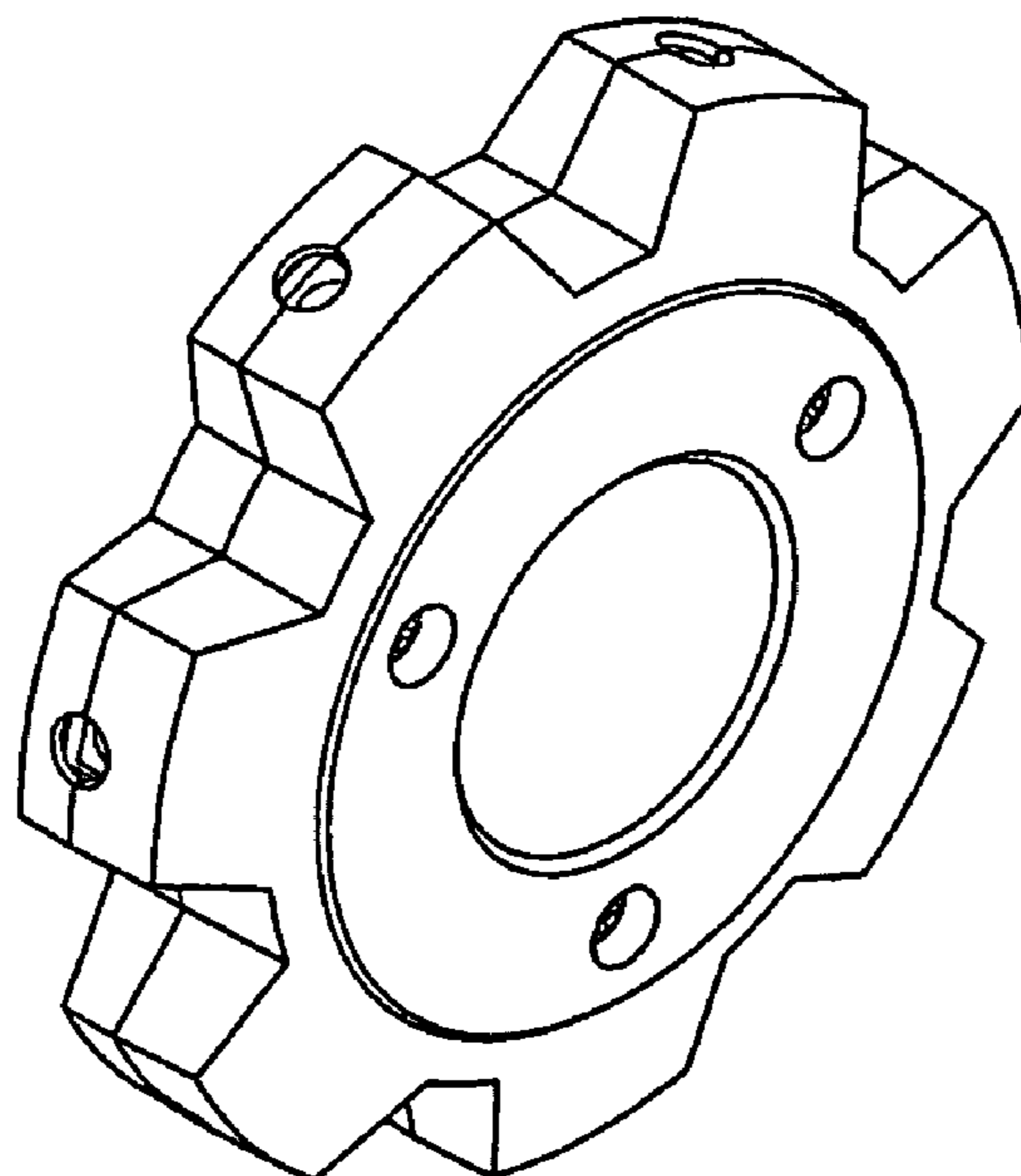


FIG. 3

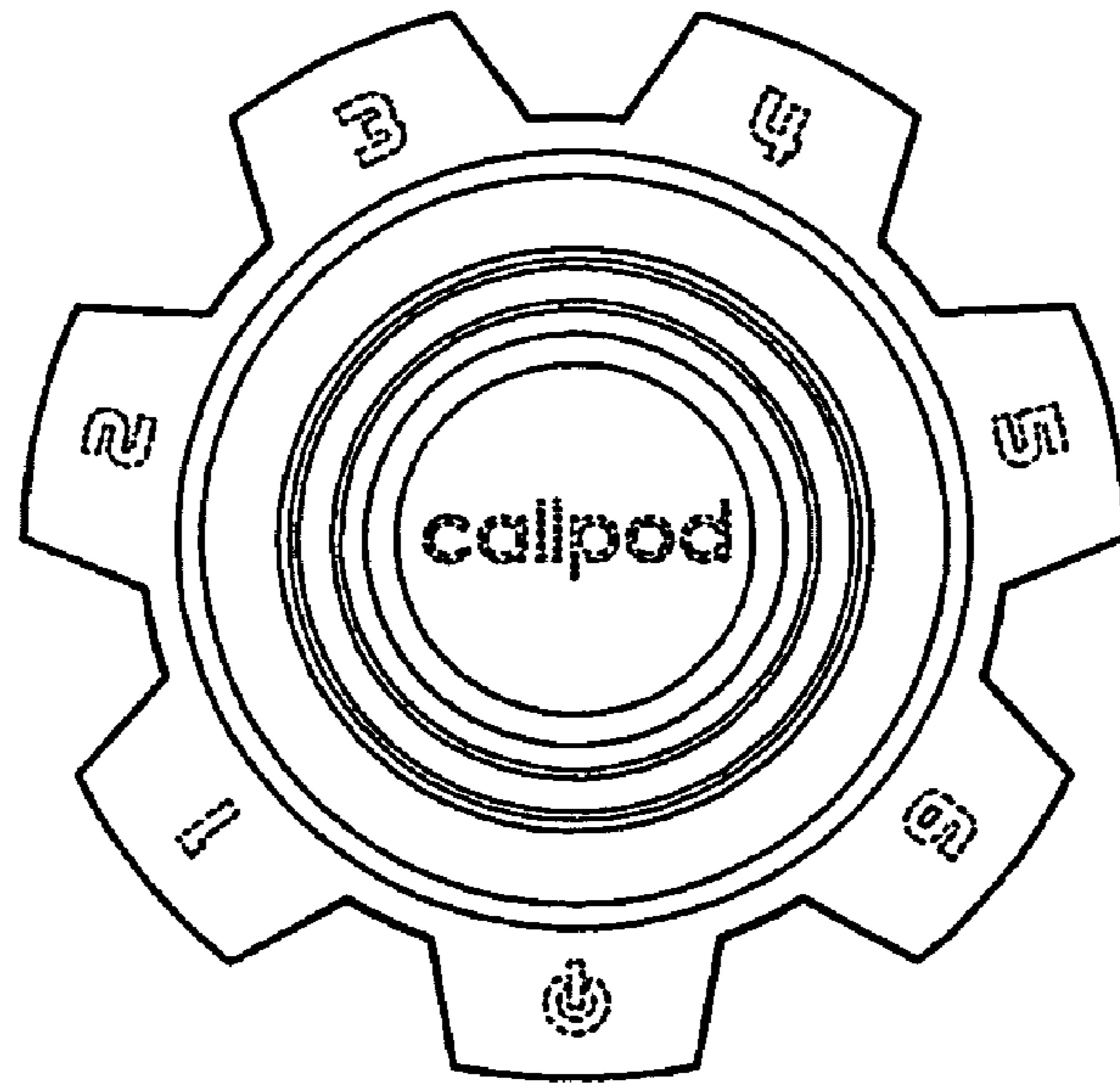


FIG. 4

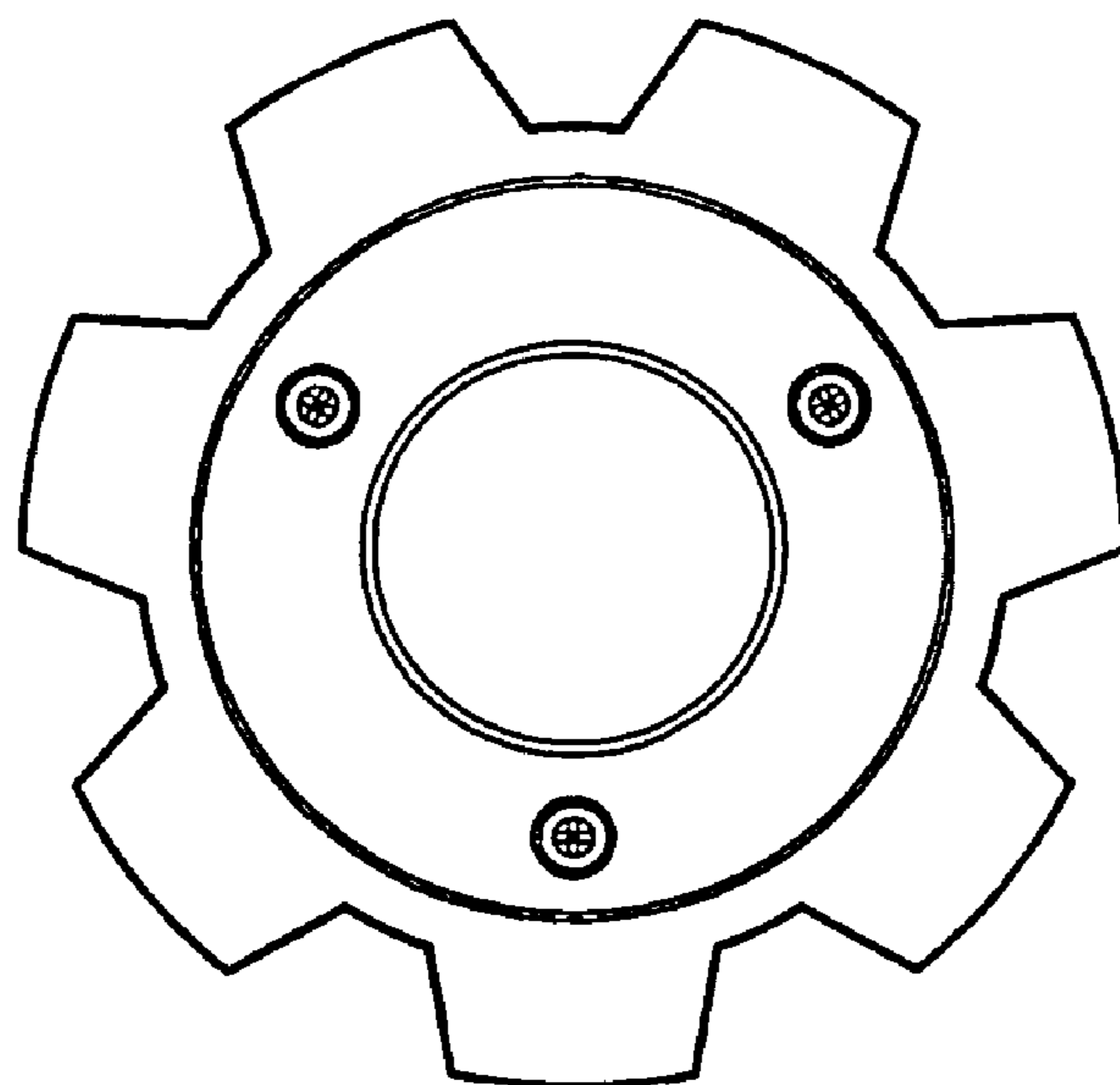


FIG. 5

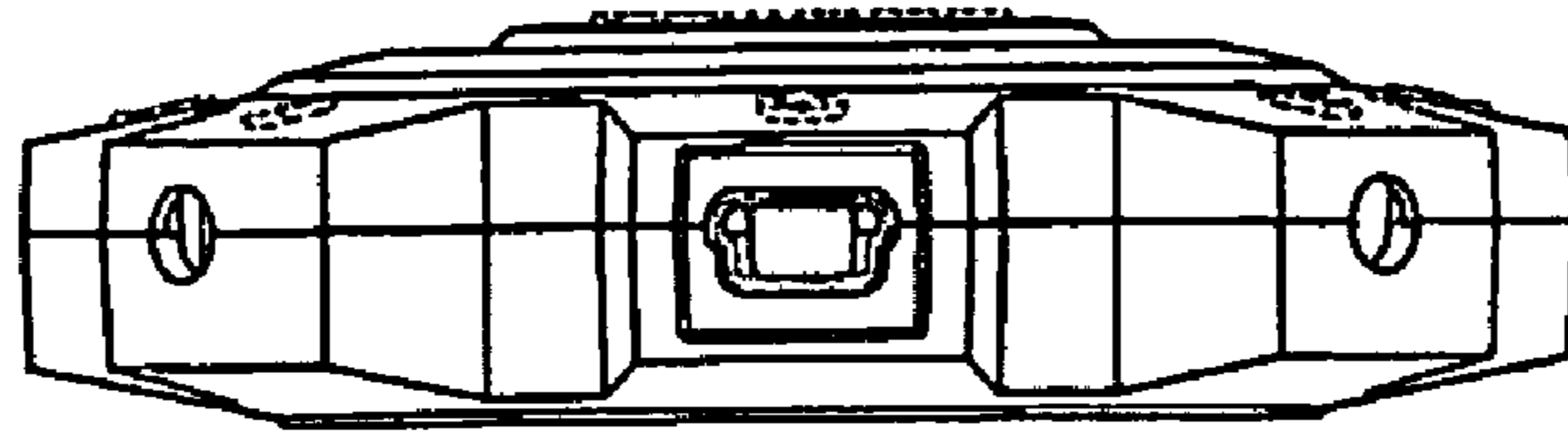


FIG. 6

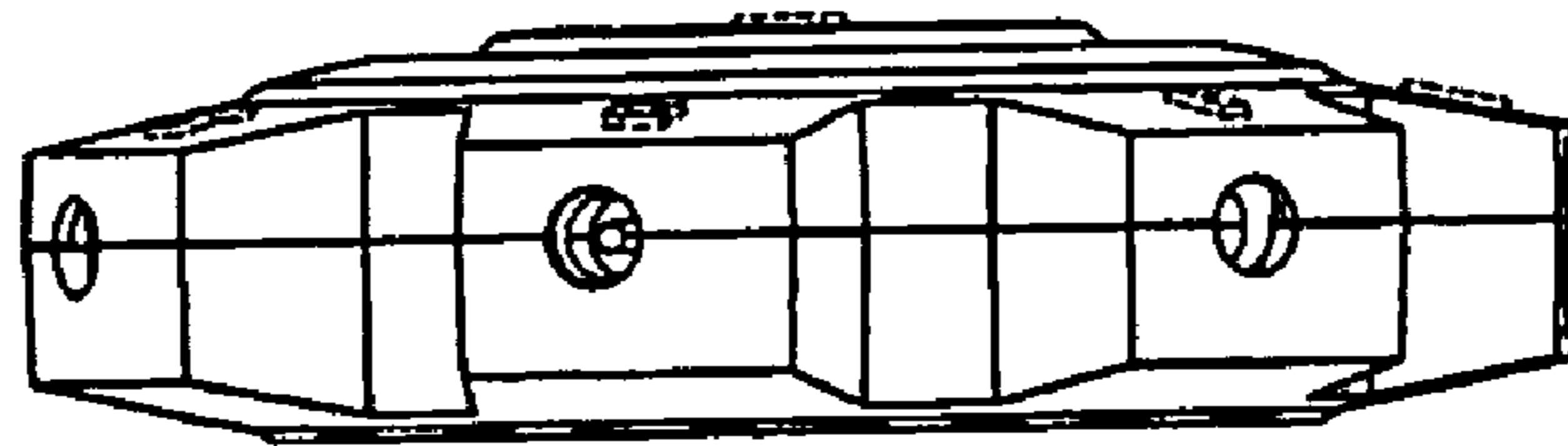


FIG. 7

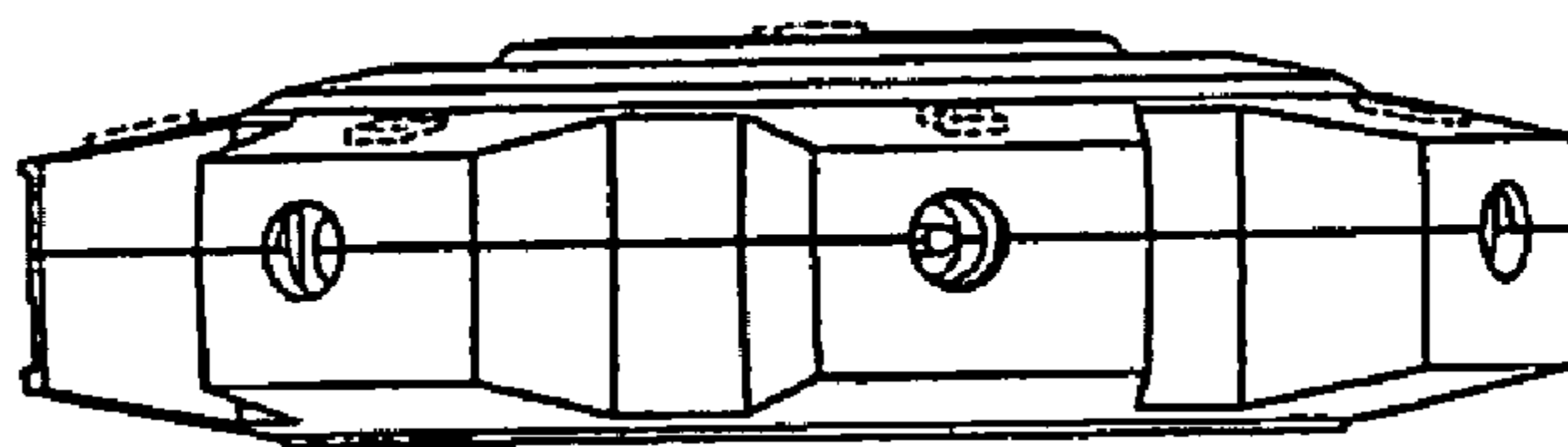


FIG. 8

