



US00D585812S

(12) **United States Design Patent**  
**Otto**

(10) **Patent No.:** **US D585,812 S**  
(45) **Date of Patent:** **\*\* Feb. 3, 2009**

(54) **ABOVE AIRLINE STORAGE UNIT OF A TRUCK VEHICLE**

(75) Inventor: **Joseph E. Otto**, Fort Wayne, IN (US)

(73) Assignee: **International Truck Intellectual Property Company, LLC**, Warrenville, IL (US)

(\*\*) Term: **14 Years**

(21) Appl. No.: **29/305,597**

(22) Filed: **Mar. 25, 2008**

(51) **LOC (9) Cl.** ..... **12-16**

(52) **U.S. Cl.** ..... **D12/418**

(58) **Field of Classification Search** ..... D12/415,  
D12/418, 420-426; D6/436-437, 441, 443-446;  
296/24.3, 24.4, 24.43, 37.1-37.8, 37.12-37.16;  
244/42.33, 42.34; 410/96-97, 117-118,  
410/129, 140

See application file for complete search history.

(56) **References Cited**

**U.S. PATENT DOCUMENTS**

D339,682 S \* 9/1993 Phelps ..... D3/296  
D379,616 S \* 6/1997 Hellhake et al. .... D12/423  
D379,618 S \* 6/1997 Hellhake et al. .... D12/425  
D426,512 S \* 6/2000 Ciuba ..... D12/425

D433,701 S \* 11/2000 Chiu ..... D18/4.6  
D508,807 S \* 8/2005 Berger ..... D6/500  
D520,190 S \* 5/2006 Joyner ..... D30/108  
7,063,227 B2 \* 6/2006 Looker ..... 220/345.1  
7,140,823 B2 \* 11/2006 Ackerman et al. .... 410/118  
D552,616 S \* 10/2007 Wolley et al. .... D14/449  
D574,771 S \* 8/2008 Flanigan ..... D13/122

\* cited by examiner

*Primary Examiner*—Caron Veynar

*Assistant Examiner*—Kelley A Donnelly

(74) *Attorney, Agent, or Firm*—Gerald W. Askew; Jeffrey P. Calfa

(57) **CLAIM**

The ornamental design for an above airline storage unit of a truck vehicle, as shown and described.

**DESCRIPTION**

FIG. 1 is a left, front perspective view of an above airline storage unit of a truck vehicle showing our new design;

FIG. 2 is a top view thereof;

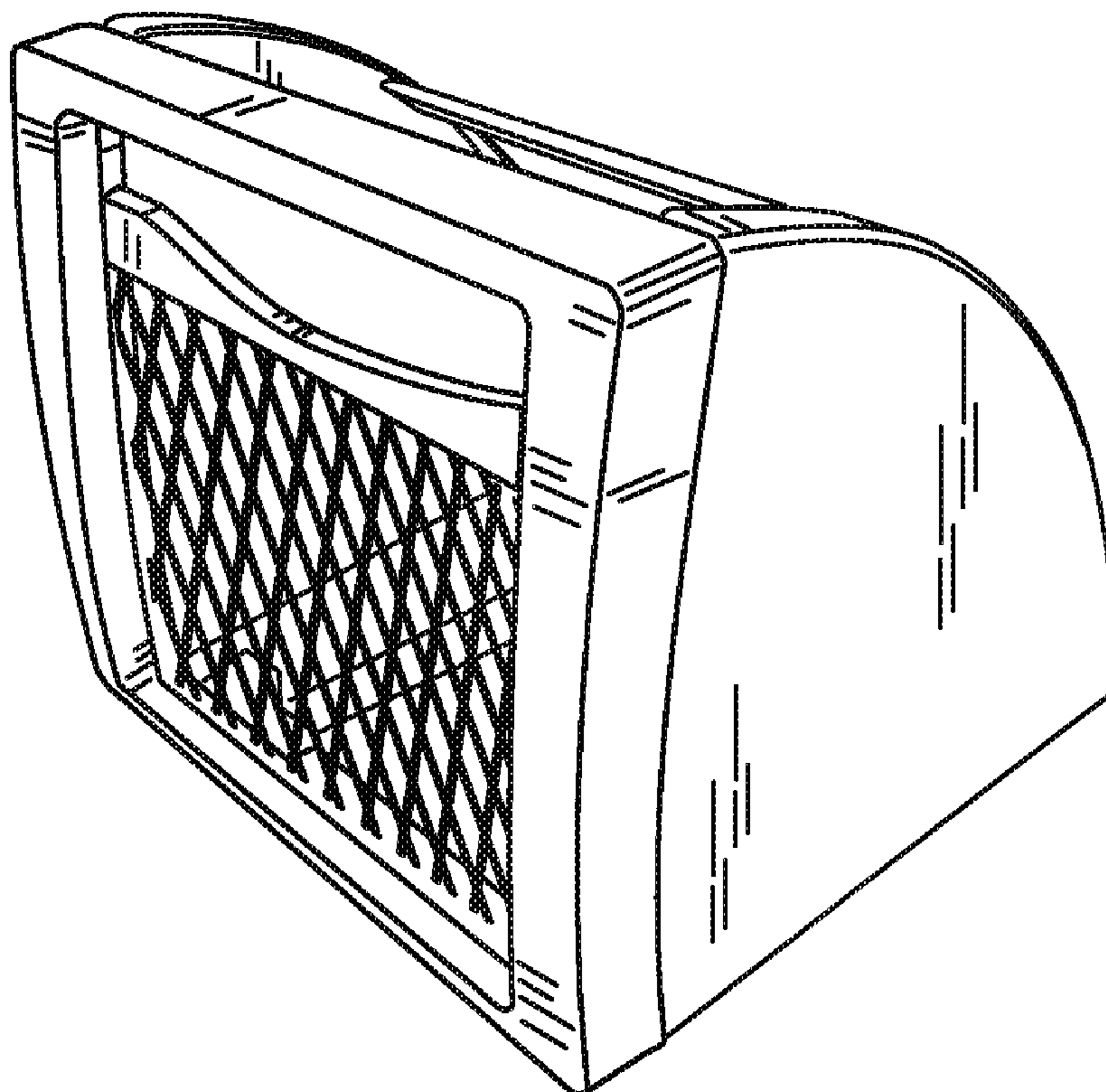
FIG. 3 is a left view thereof;

FIG. 4 is a front view thereof;

FIG. 5 is a back view thereof; and,

FIG. 6 is a bottom view thereof.

**1 Claim, 2 Drawing Sheets**



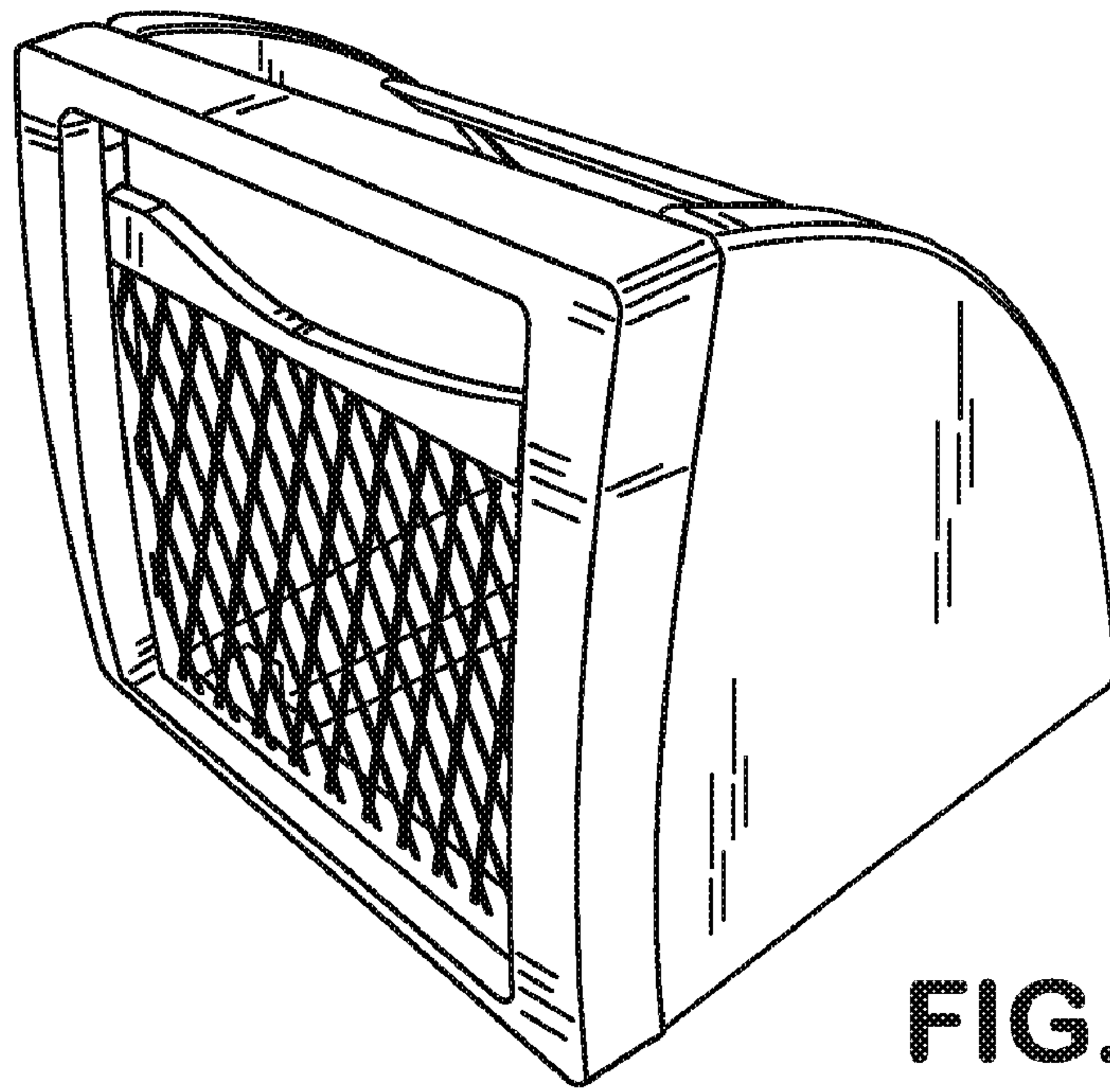


FIG. 1

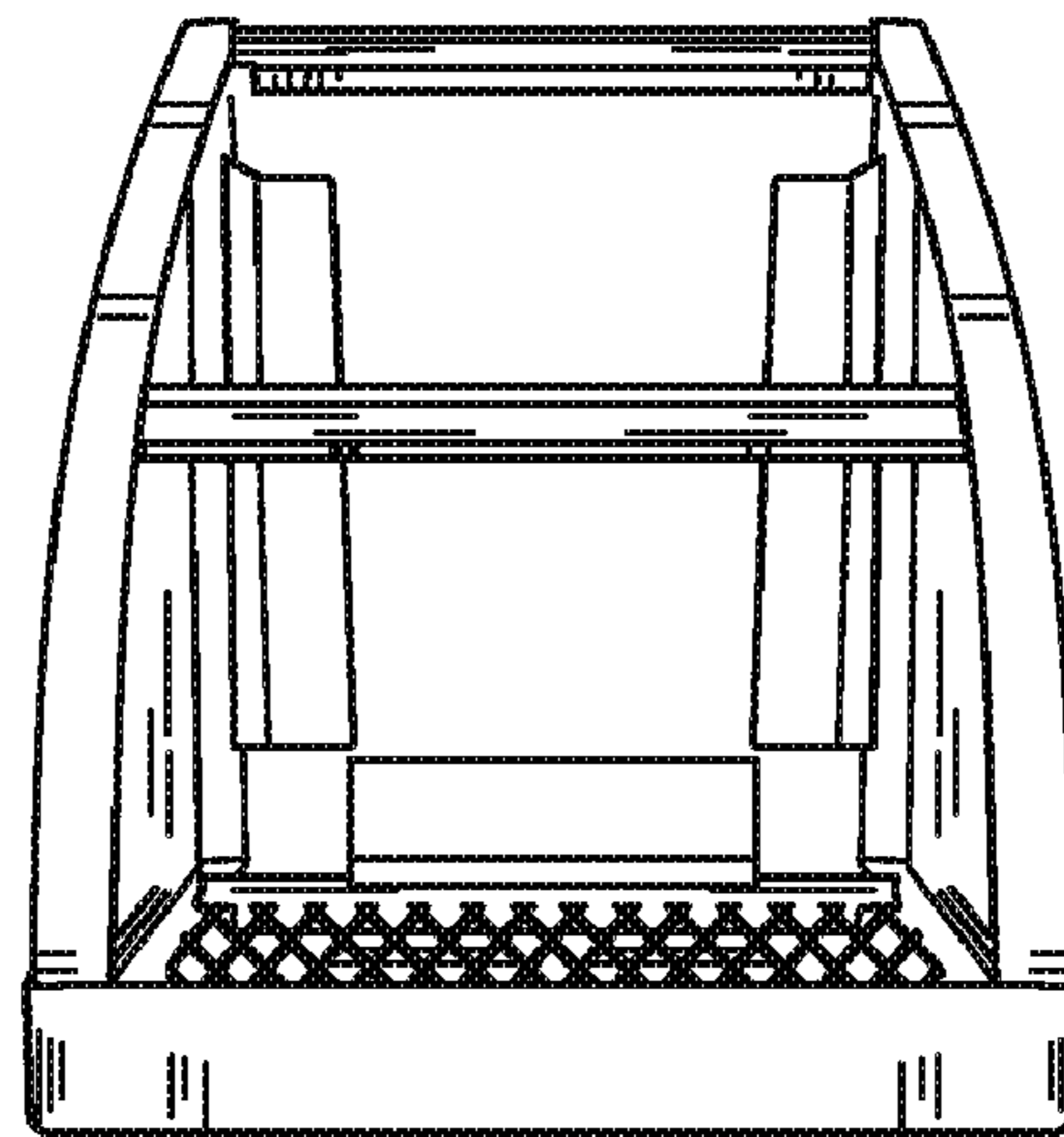


FIG. 2

FIG 3

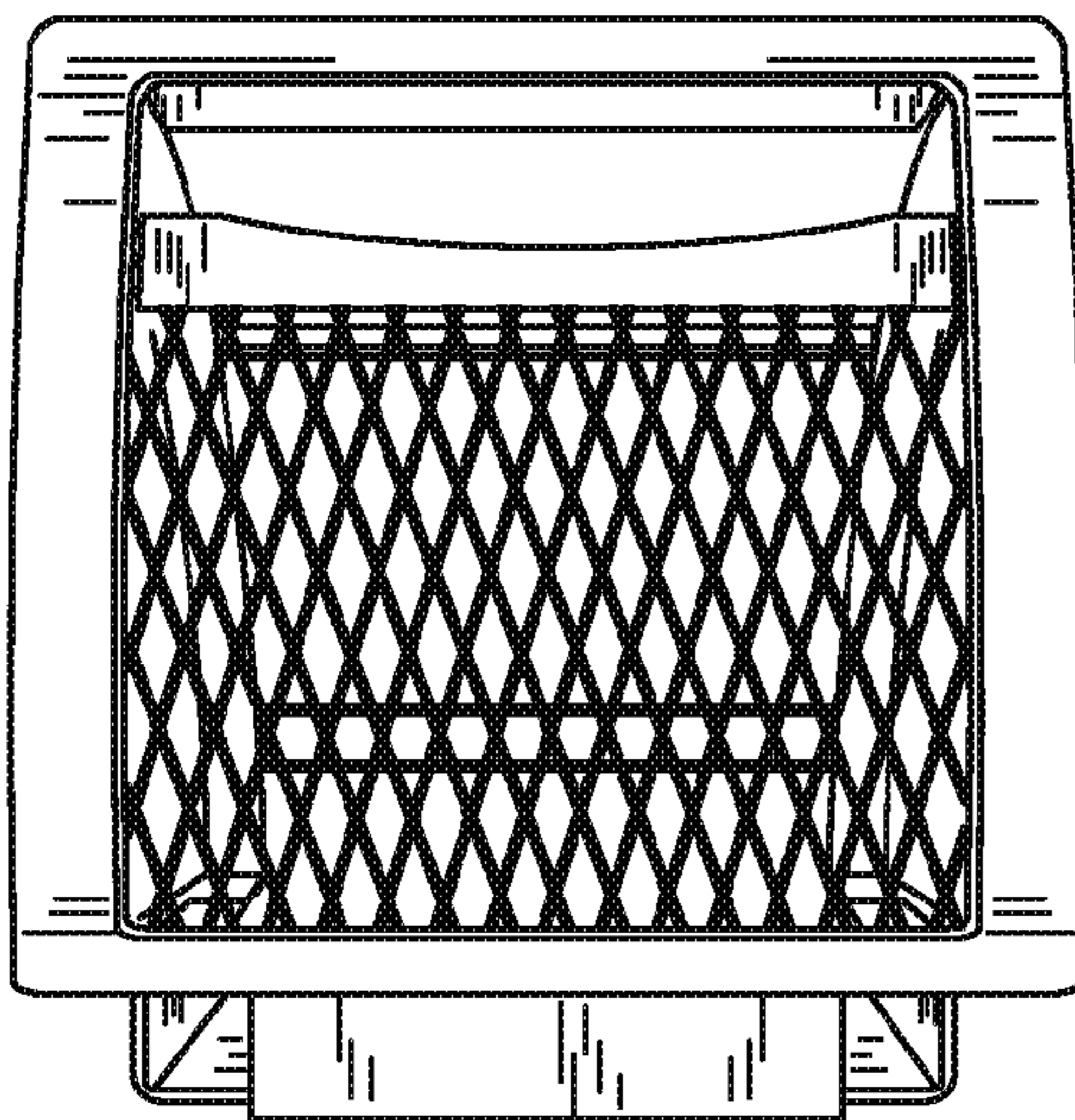
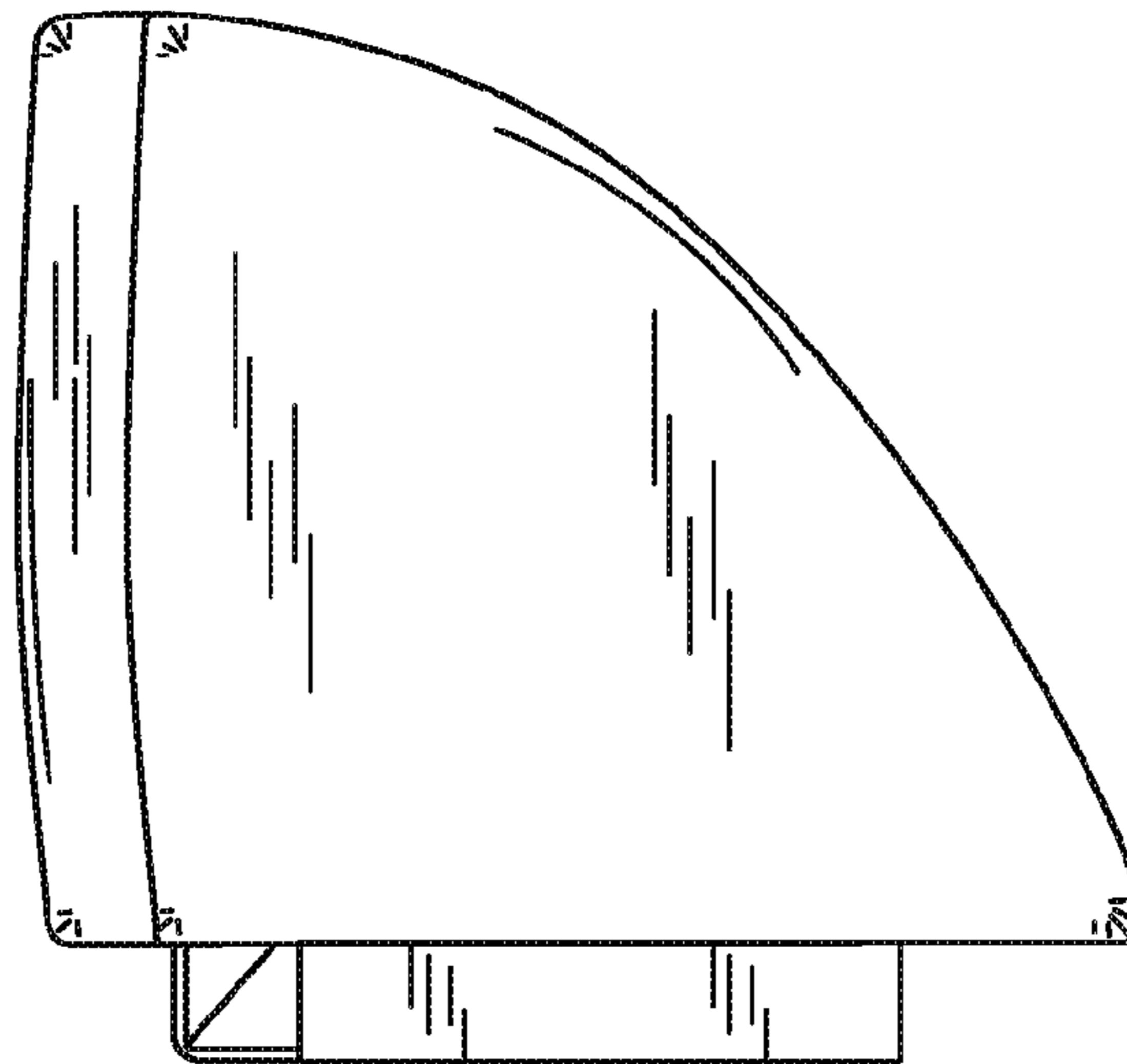


FIG. 4

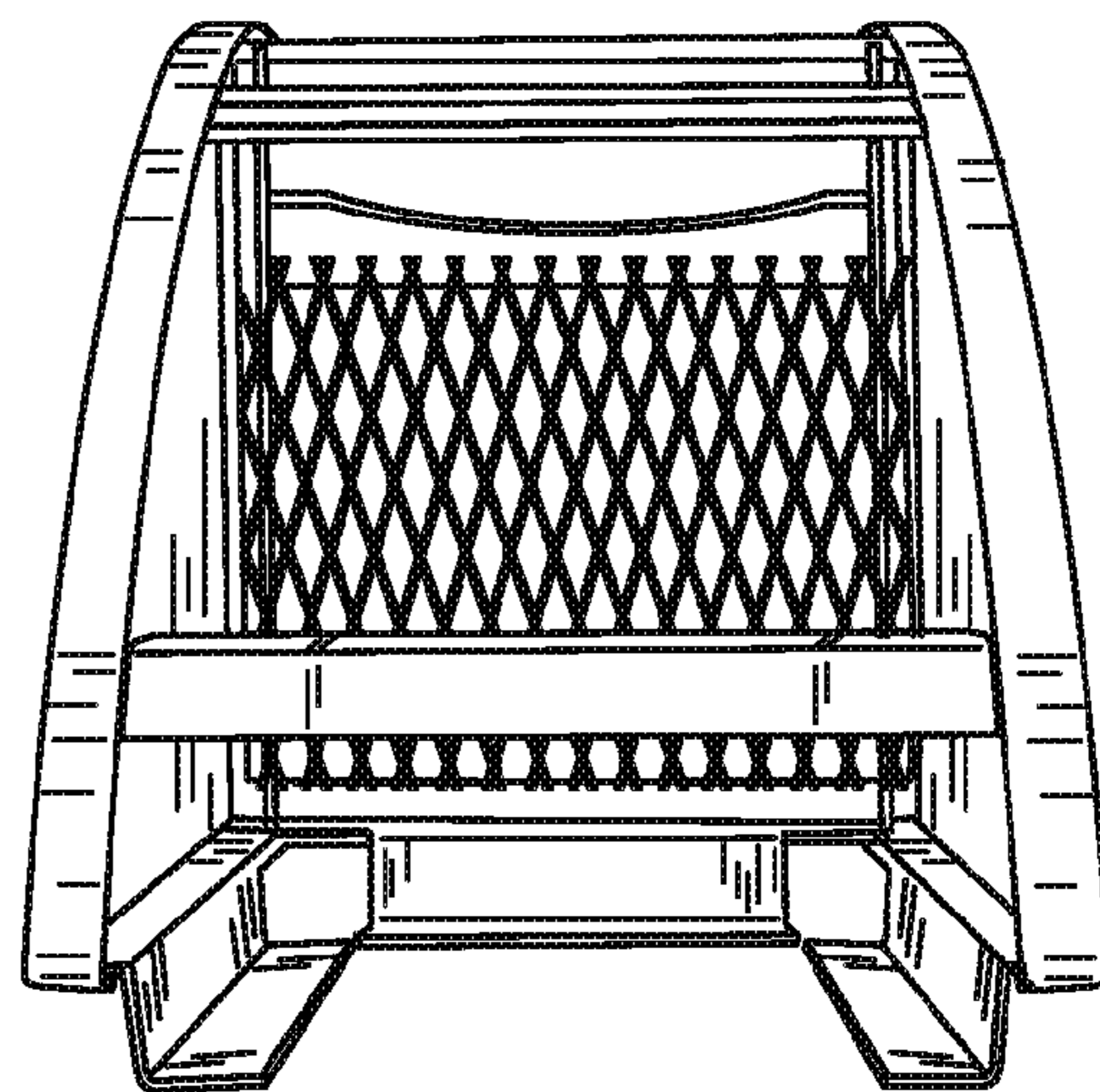


FIG. 5

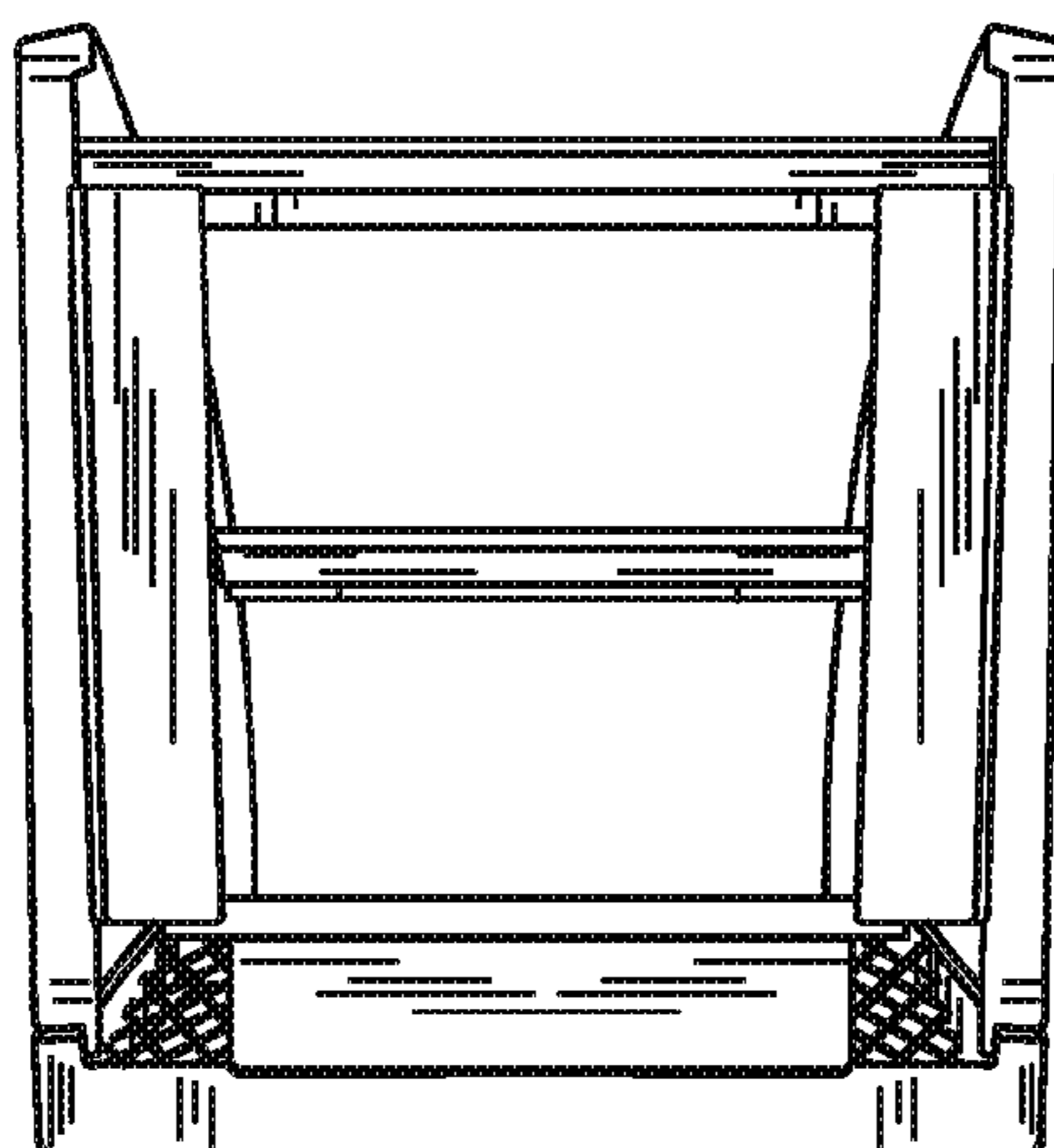


FIG. 6