



US00D585809S

(12) **United States Design Patent**
Hughes et al.

(10) **Patent No.:** **US D585,809 S**
(45) **Date of Patent:** **** Feb. 3, 2009**

(54) **FLEXURAL MOUNT FOR A RECREATIONAL WINDSHIELD AND THE LIKE**

6,935,599 B2 8/2005 van Walraven
D510,856 S 10/2005 Cheung
D513,974 S 1/2006 Cheung
D541,142 S 4/2007 Geiger
D565,401 S * 4/2008 Grady et al. D8/394
D572,119 S * 7/2008 Wells et al. D8/354

(76) Inventors: **Samuel Hughes**, 506 Bucks Branch, Martin, KY (US) 41649; **Alan Cruickshank**, P.O. Box 17752, Raleigh, NC (US) 27619

* cited by examiner

(**) Term: **14 Years**

Primary Examiner—Holly H Baynham
Assistant Examiner—Sheryl Lane

(21) Appl. No.: **29/302,679**

(74) *Attorney, Agent, or Firm*—Steven J. Hultquist; Intellectual Property Technology Law

(22) Filed: **Jan. 22, 2008**

(51) **LOC (9) Cl.** **12-06**

(57) **CLAIM**

(52) **U.S. Cl.** **D12/223**; D8/394

We claim the ornamental design for a flexural mount for a recreational windshield and the like, as shown and described.

(58) **Field of Classification Search** D8/354, D8/394, 383; D12/223, 182; 248/68.1, 74.1–74.4
See application file for complete search history.

DESCRIPTION

(56) **References Cited**

U.S. PATENT DOCUMENTS

2,372,811 A	4/1945	Conaway et al.	
D244,255 S *	5/1977	Snyder	D8/355
4,535,960 A	8/1985	Downing et al.	
D305,099 S *	12/1989	Naruse et al.	D8/396
D326,406 S	5/1992	Anderson et al.	
D356,730 S	3/1995	Lee	
5,474,268 A	12/1995	Yu	
5,482,234 A	1/1996	Lyon	
D368,853 S *	4/1996	Liu et al.	D8/394
5,848,771 A	12/1998	Hancock-Bogese et al.	
D424,417 S *	5/2000	Axelsson	D8/394
D426,458 S	6/2000	Axelsson	
6,234,277 B1	5/2001	Kaczmarek	
D451,372 S	12/2001	Cedarberg, III	
6,484,366 B1	11/2002	Deschenes et al.	
6,658,703 B1	12/2003	Teagno et al.	
D496,261 S	9/2004	Strange et al.	
6,800,160 B2	10/2004	Norman	

FIG. 1 is a front view perspective of the flexural mount of the invention in use about a tubular upright shown in dotted lines;

FIG. 2 is a front view in perspective of the flexural mount of FIG. 1 in extended conformation;

FIG. 3 is a top plan view of the flexural mount of FIG. 2;

FIG. 4 is a side view in elevation of the flexural mount as seen from the left hand side of FIG. 3, the left hand side and the right hand side being symmetrical to one another;

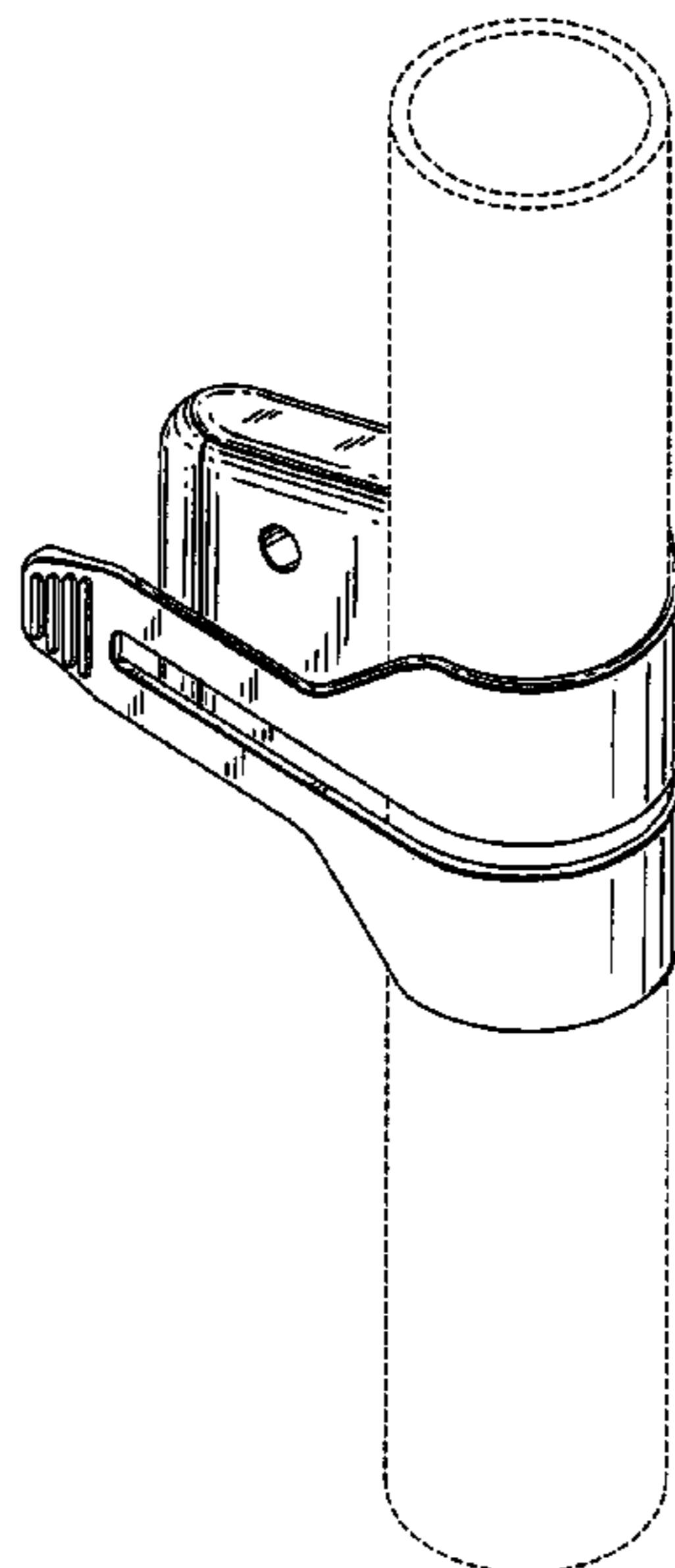
FIG. 5 is an end elevation view of the flexural mount as seen from the top end of FIG. 3;

FIG. 6 is an end elevation view of the flexural mount as seen from the bottom end of FIG. 3; and,

FIG. 7 is a bottom plan view of the flexural mount of FIG. 2.

The broken lines are included for the purpose of illustrating environment and forms no part of the claimed design.

1 Claim, 3 Drawing Sheets



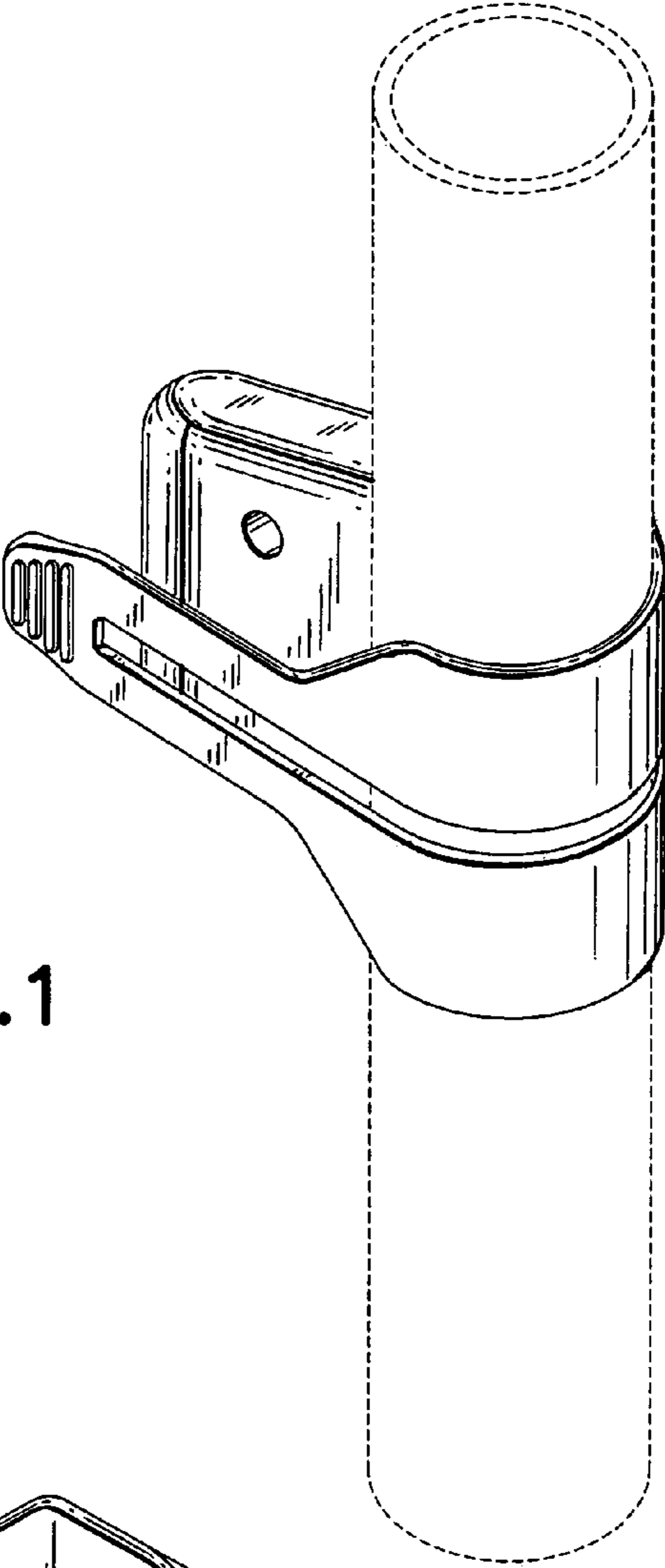


FIG. 1

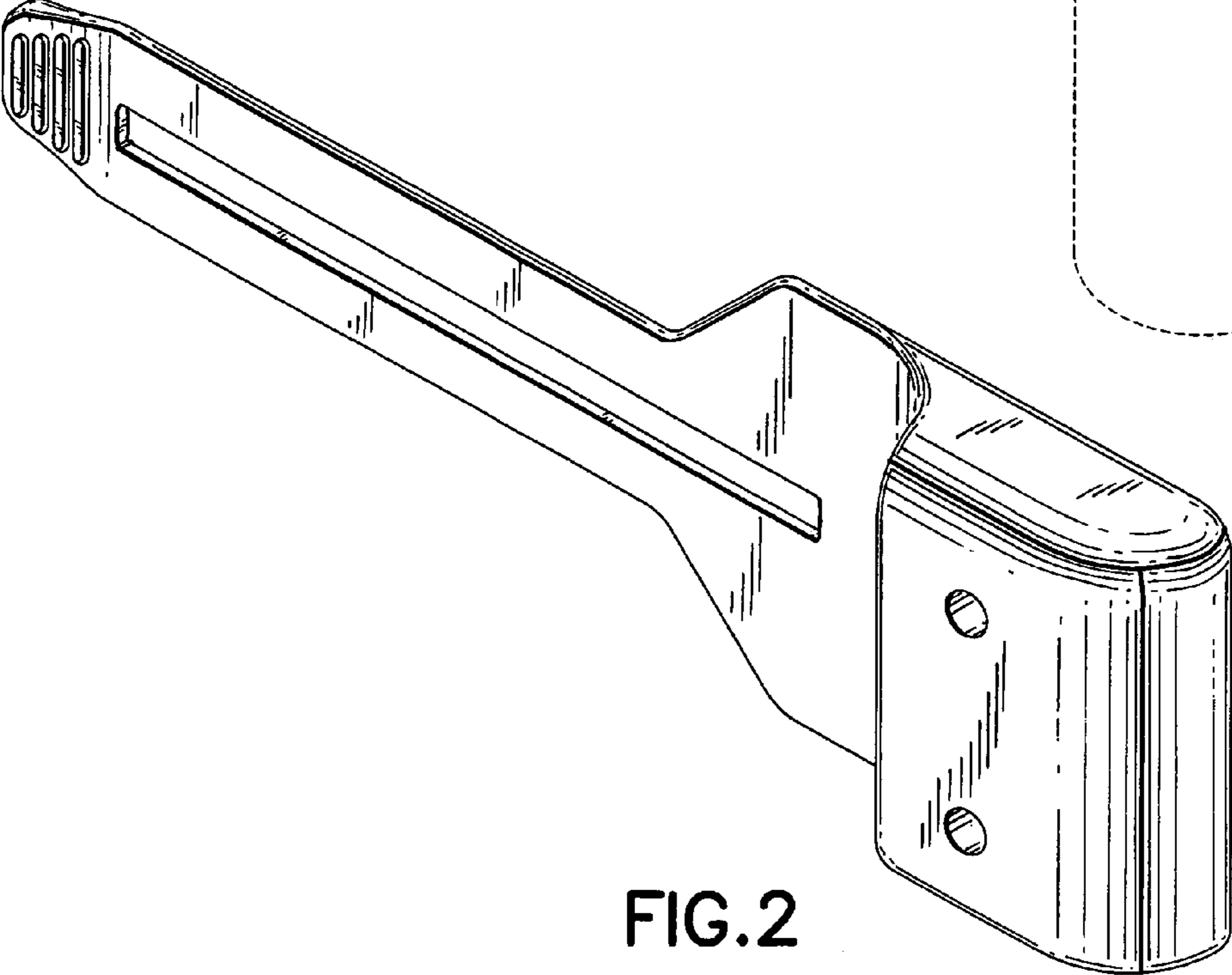


FIG. 2

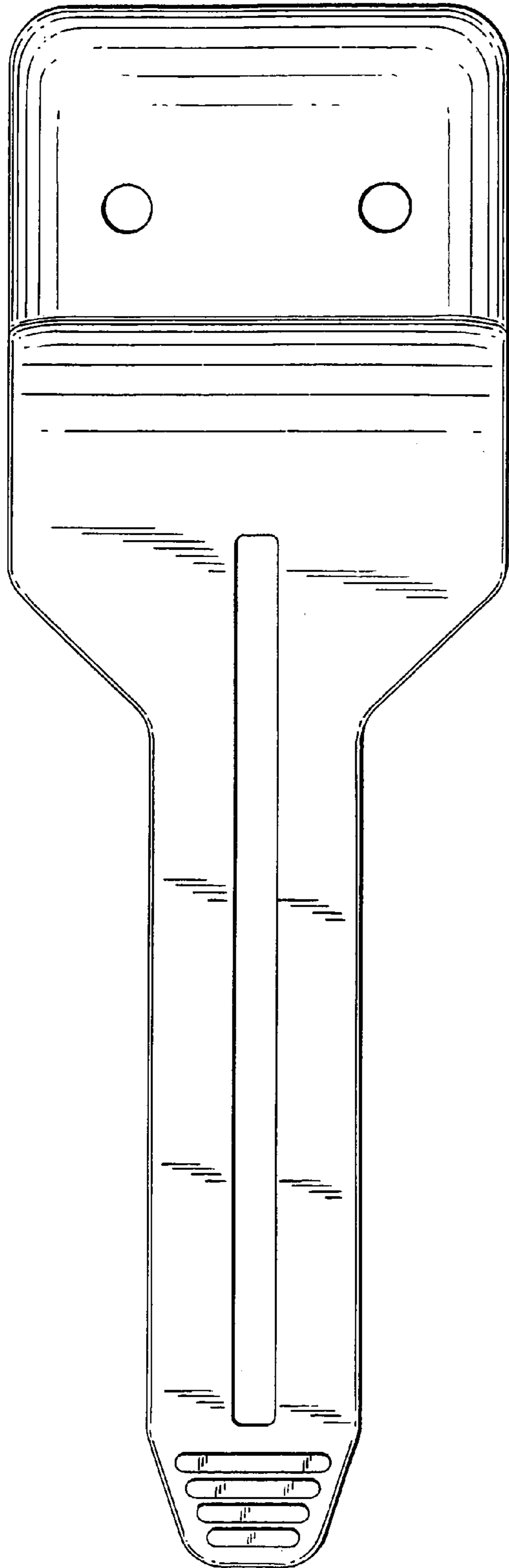


FIG. 3

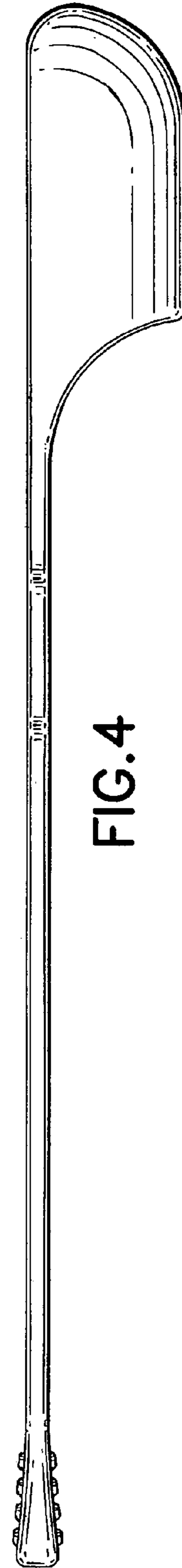


FIG. 4

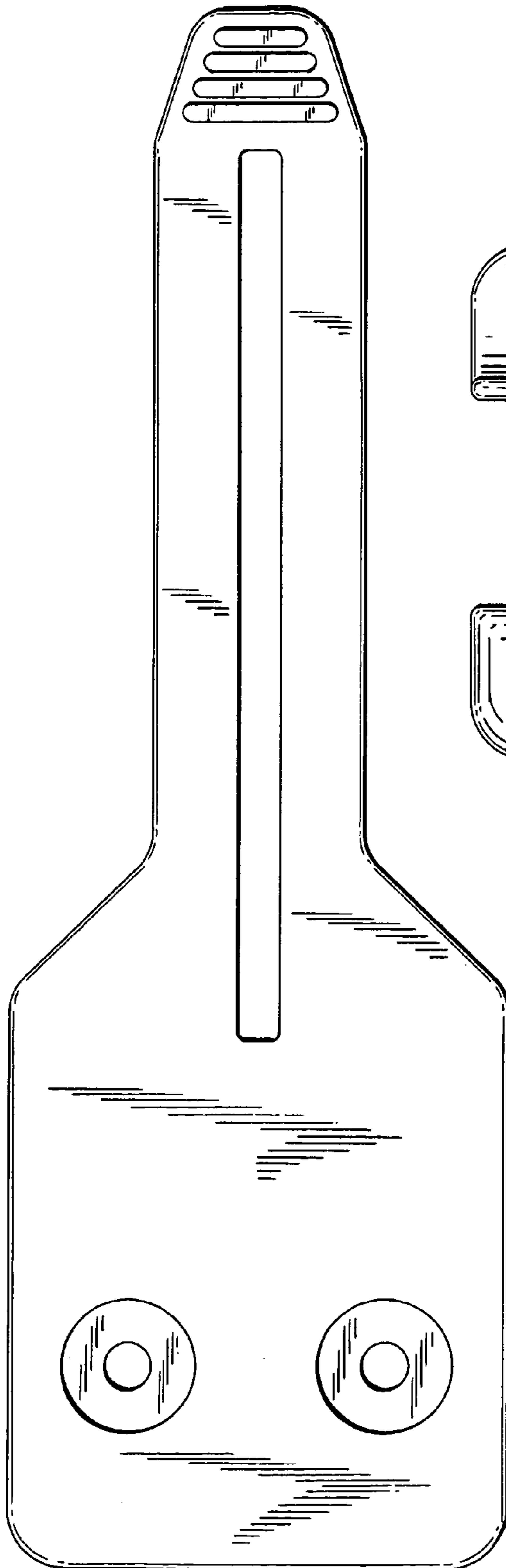


FIG. 7

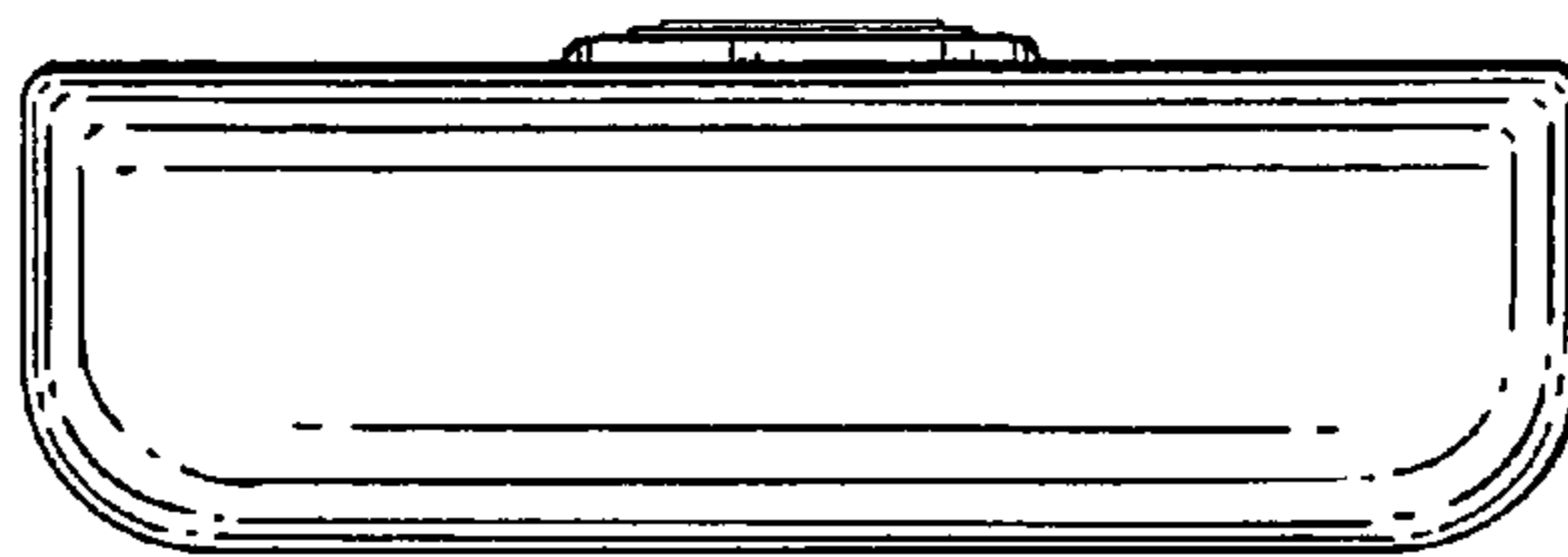


FIG. 5

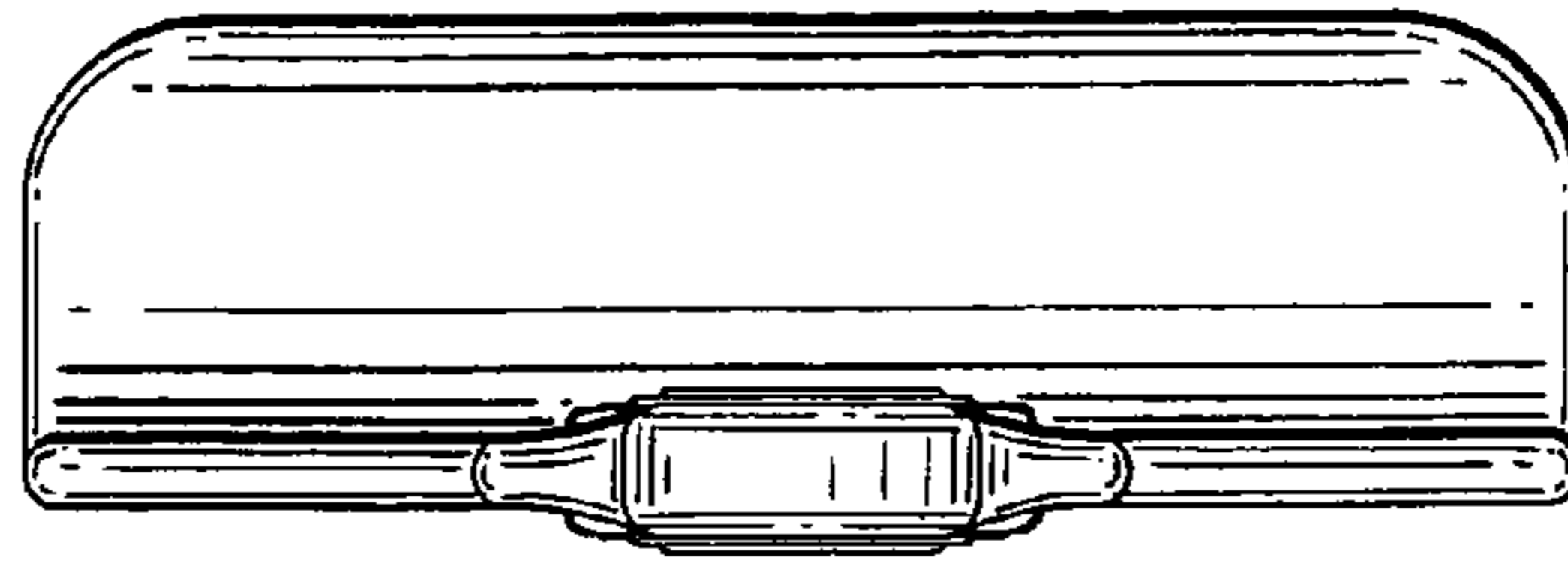


FIG. 6