



US00D585807S

(12) **United States Design Patent**
Scheu

(10) **Patent No.:** **US D585,807 S**

(45) **Date of Patent:** **** Feb. 3, 2009**

(54) **FRONT FACE OF A VEHICLE WHEEL**

(75) Inventor: **Armin Scheu**, Stuttgart (DE)

(73) Assignee: **Daimler AG**, Stuttgart (DE)

(**) Term: **14 Years**

(21) Appl. No.: **29/274,443**

(22) Filed: **Apr. 24, 2007**

(30) **Foreign Application Priority Data**

Oct. 25, 2006 (EM) 000610589

(51) **LOC (9) Cl.** **12-16**

(52) **U.S. Cl.** **D12/211**

(58) **Field of Classification Search** D12/204–213;
301/37.101, 64.101, 65, 64.201
See application file for complete search history.

(56) **References Cited**

U.S. PATENT DOCUMENTS

D408,346 S *	4/1999	Goplen	D12/211
D445,079 S *	7/2001	Lee	D12/209
D480,036 S *	9/2003	Laengerer	D12/211
D500,278 S *	12/2004	Huet	D12/211
D502,137 S	2/2005	Blum		
D514,050 S *	1/2006	Scheu	D12/211

D514,999 S *	2/2006	Boyer	D12/209
D519,901 S *	5/2006	Panano	D12/209
D520,934 S *	5/2006	Szavits	D12/211
D525,185 S *	7/2006	Scheu	D12/211
D525,578 S *	7/2006	Schell	D12/211
D527,328 S *	8/2006	Pfeiffer	D12/211
D537,766 S *	3/2007	Laengerer et al.	D12/211

* cited by examiner

Primary Examiner—Stacia Cadmus

(74) *Attorney, Agent, or Firm*—Crowell & Moring LLP

(57) **CLAIM**

The ornamental design for a front face of a vehicle wheel, as shown and described.

DESCRIPTION

FIG. 1 is a front view of a first embodiment of a front face of a vehicle wheel according to my novel design; and

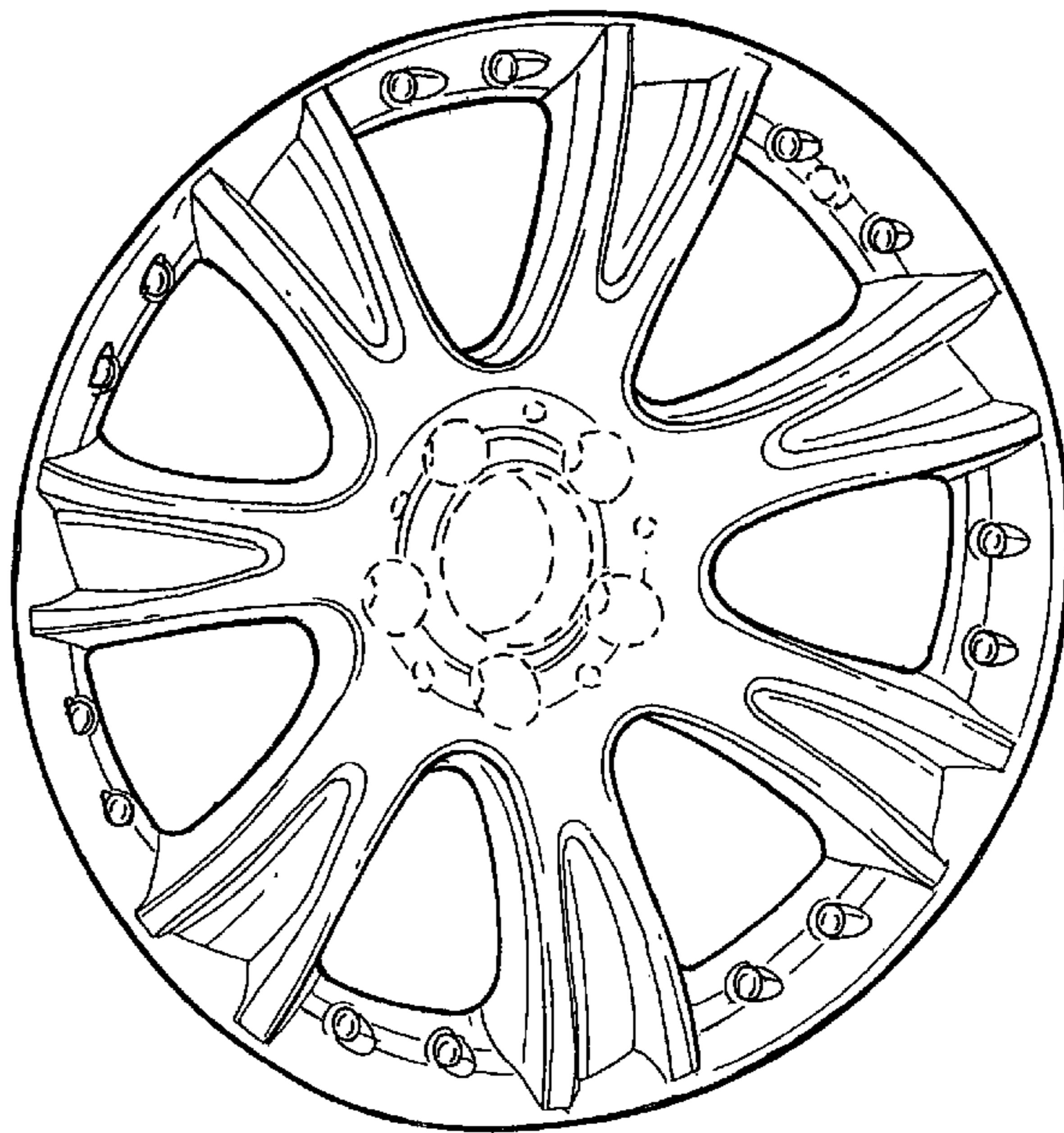
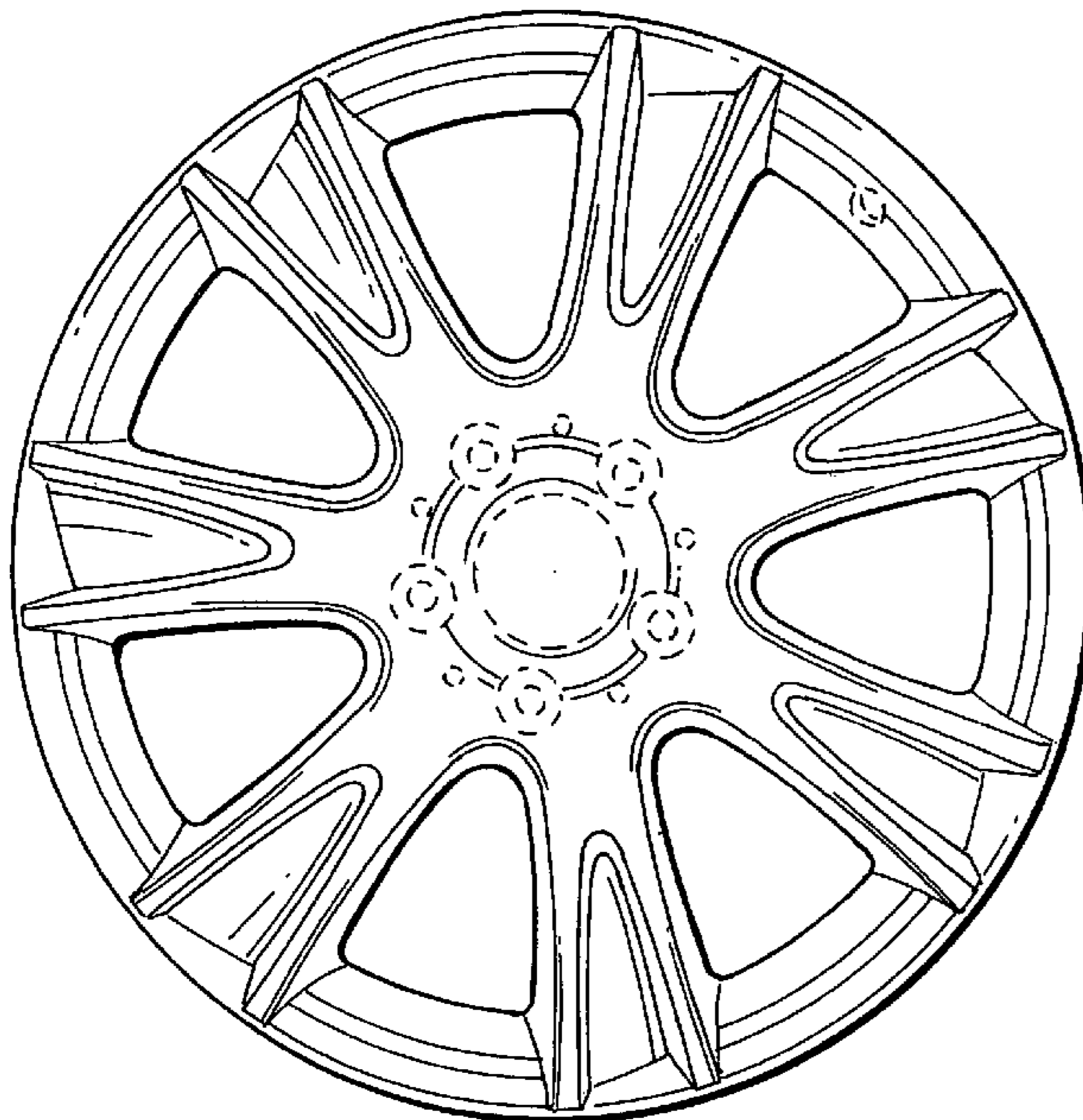
FIG. 2 is a perspective view thereof.

FIG. 3 is a front view of a second embodiment of the front face of a vehicle wheel according to my novel design; and,

FIG. 4 is a perspective view thereof.

The broken line showing of the central hub area is included for the purpose of illustrating environment and forms no part of the claimed design.

1 Claim, 2 Drawing Sheets



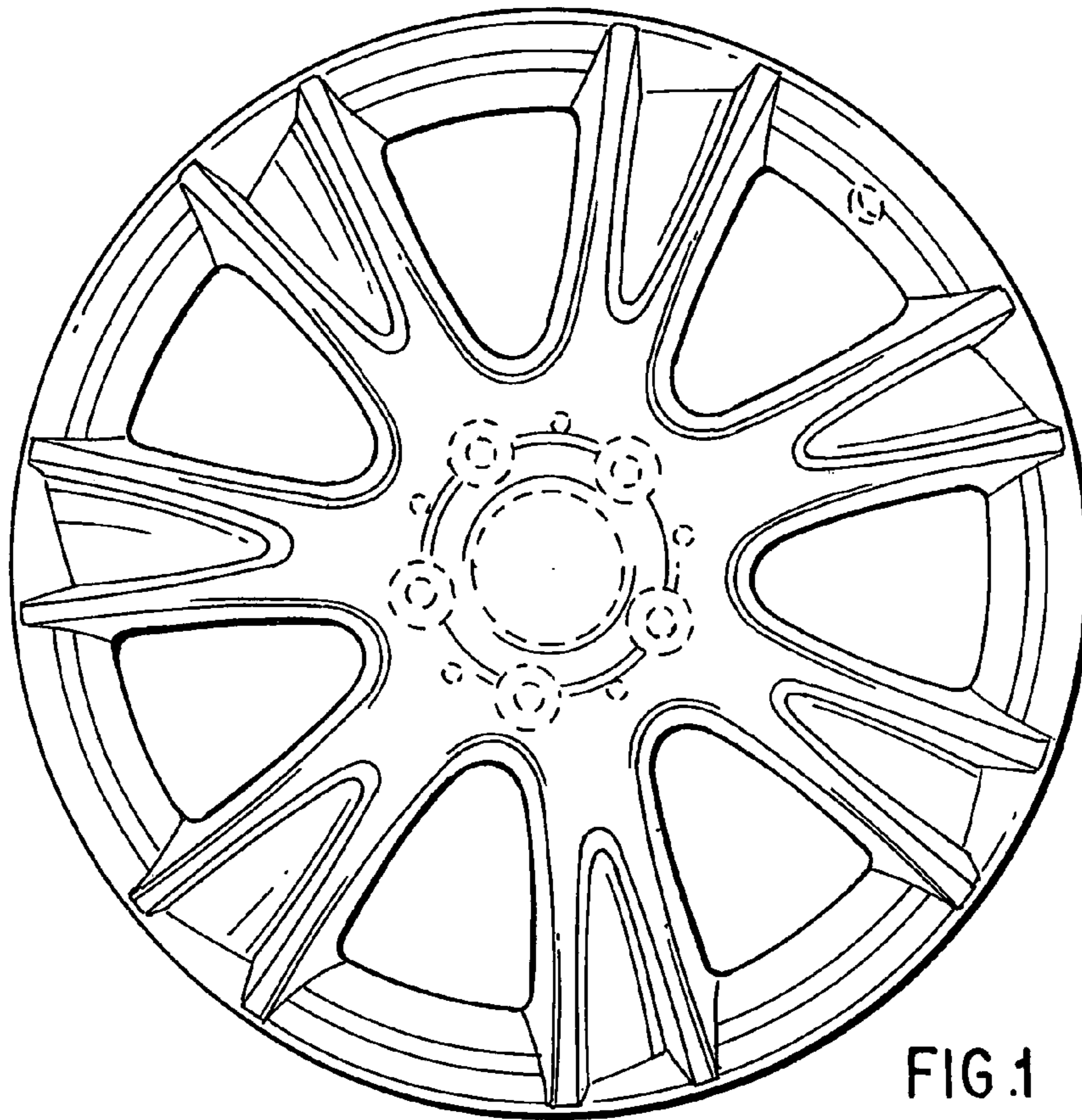


FIG. 1

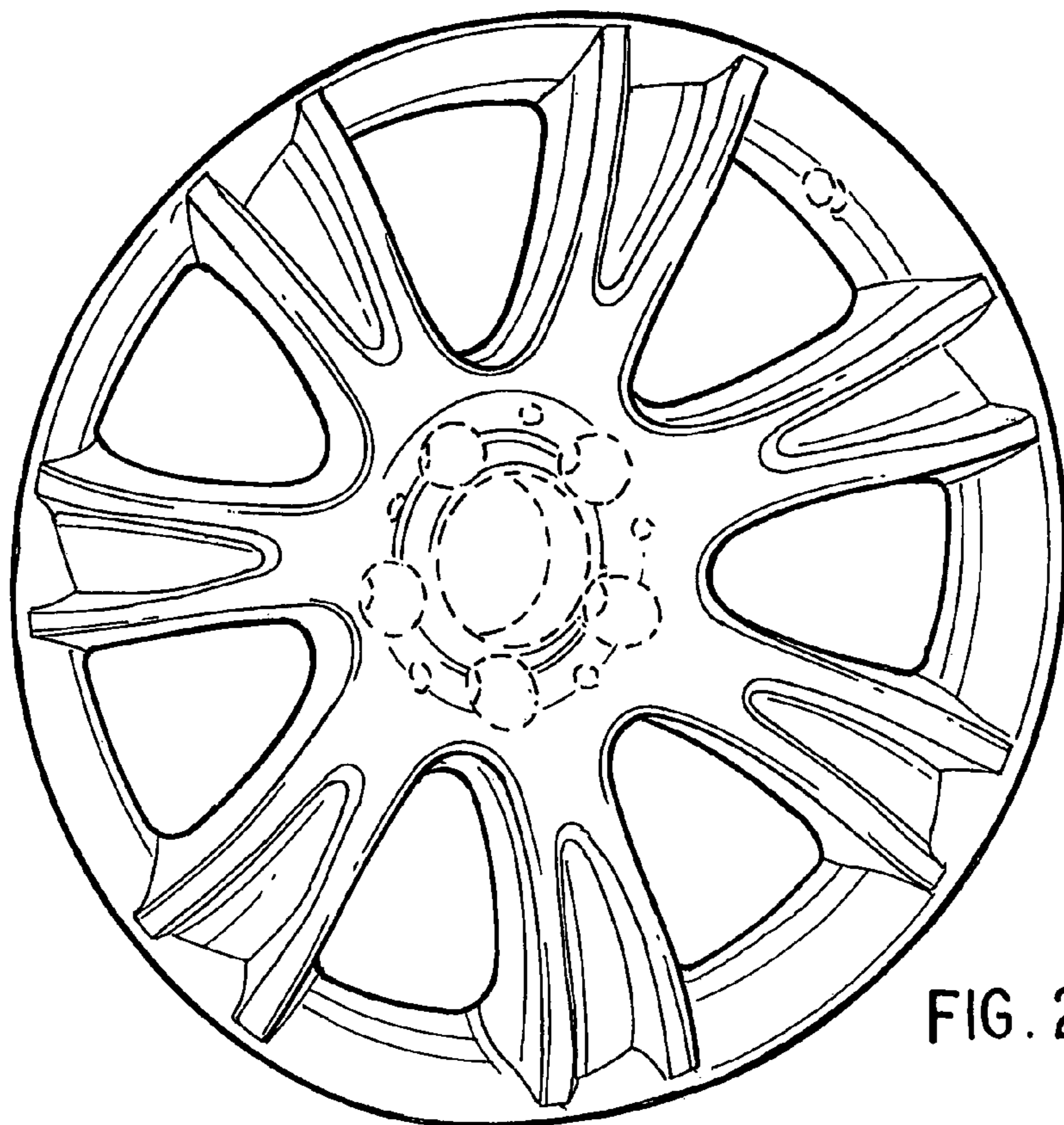


FIG. 2

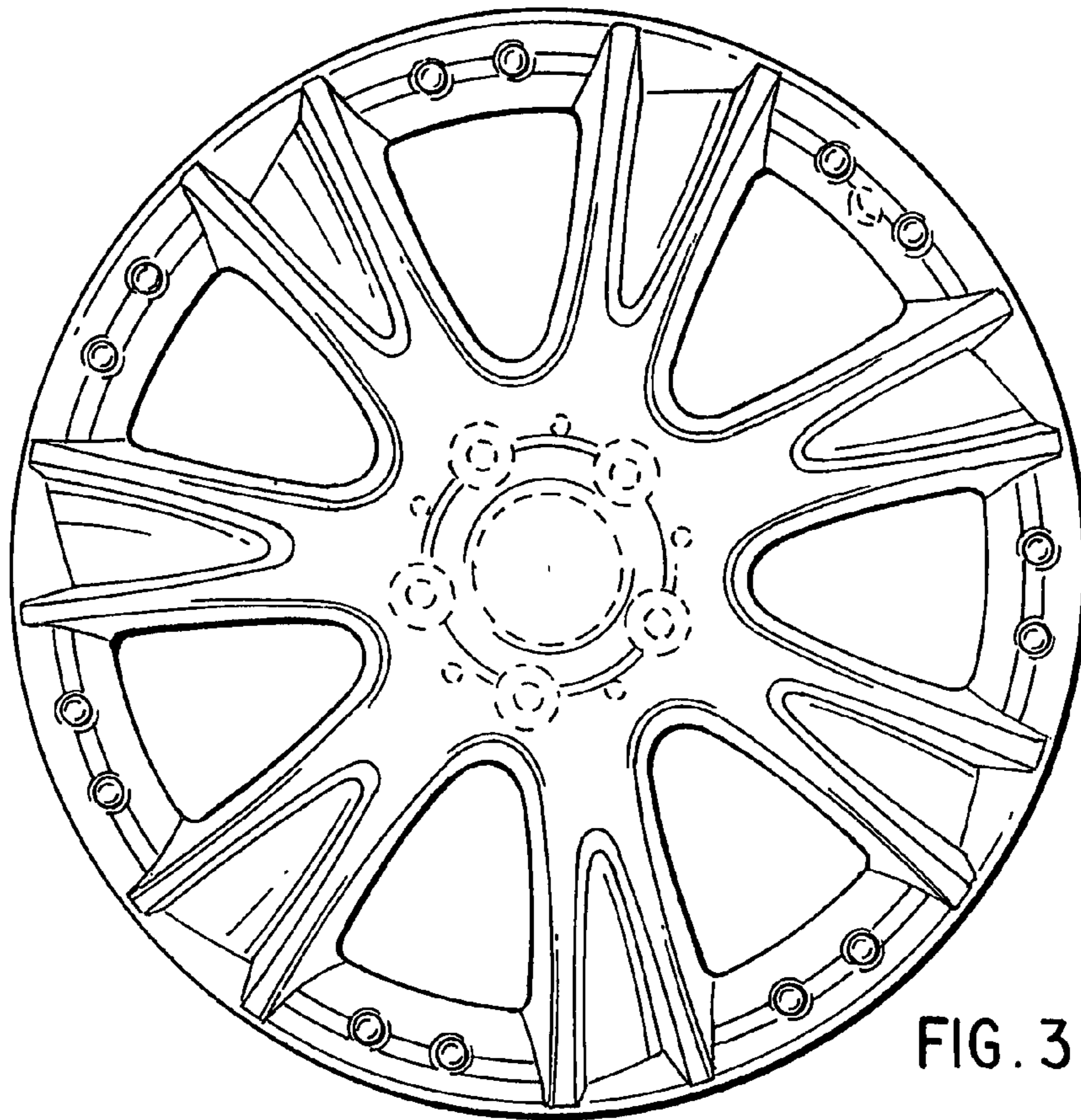


FIG. 3

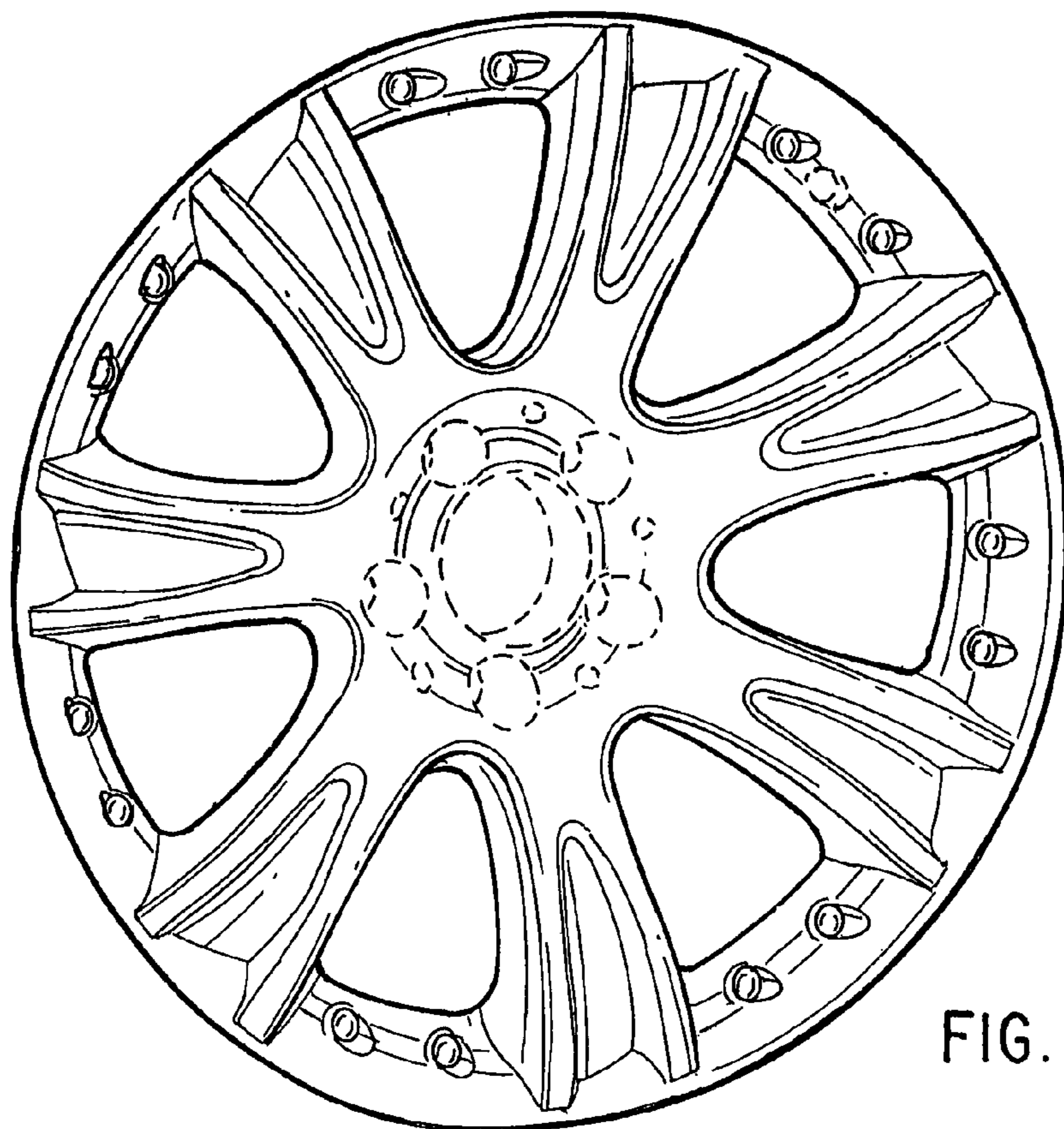


FIG. 4