



US00D585806S

(12) **United States Design Patent**  
**Chung**

(10) **Patent No.:** **US D585,806 S**

(45) **Date of Patent:** **\*\* Feb. 3, 2009**

(54) **AUTOMOTIVE WHEEL**

(76) **Inventor:** **Suny Chung**, 3283 Red Pine Rd., Yorba Linda, CA (US) 92886

(\*\*) **Term:** **14 Years**

(21) **Appl. No.:** **29/307,076**

(22) **Filed:** **Mar. 31, 2008**

(51) **LOC (9) Cl.** ..... **12-16**

(52) **U.S. Cl.** ..... **D12/209**

(58) **Field of Classification Search** ..... D12/204-213;  
301/37.101, 64.101, 65, 64.201  
See application file for complete search history.

(56) **References Cited**

**U.S. PATENT DOCUMENTS**

D432,480 S *	10/2000	Chung	.....	D12/209
D442,532 S *	5/2001	Chung	.....	D12/209
D447,106 S *	8/2001	Chung	.....	D12/209
D457,849 S *	5/2002	Kataoka	.....	D12/209
D461,155 S *	8/2002	Takechi	.....	D12/209
D463,350 S *	9/2002	Lee	.....	D12/211
D471,500 S *	3/2003	Kataoka	.....	D12/209

D488,762 S *	4/2004	Cahyono	.....	D12/209
D494,523 S *	8/2004	Koenigsberg	.....	D12/209
D507,222 S *	7/2005	Arellano et al.	.....	D12/209
D512,675 S *	12/2005	Nagashima	.....	D12/209
D526,265 S *	8/2006	Muzzarelli	.....	D12/209
D529,427 S *	10/2006	Kim	.....	D12/209
D531,561 S *	11/2006	Kanai	.....	D12/209
D571,274 S *	6/2008	Chung	.....	D12/209

\* cited by examiner

*Primary Examiner*—Stacia Cadmus

(57) **CLAIM**

The ornamental design for an automotive wheel, as shown and described.

**DESCRIPTION**

FIG. 1 is a perspective view of an automotive wheel, showing my new design; and,

FIG. 2 is a front view thereof.

The broken line showing of rear portion of the wheel rim is included for the purpose of illustrating environment and forms no part of the claimed design.

**1 Claim, 2 Drawing Sheets**

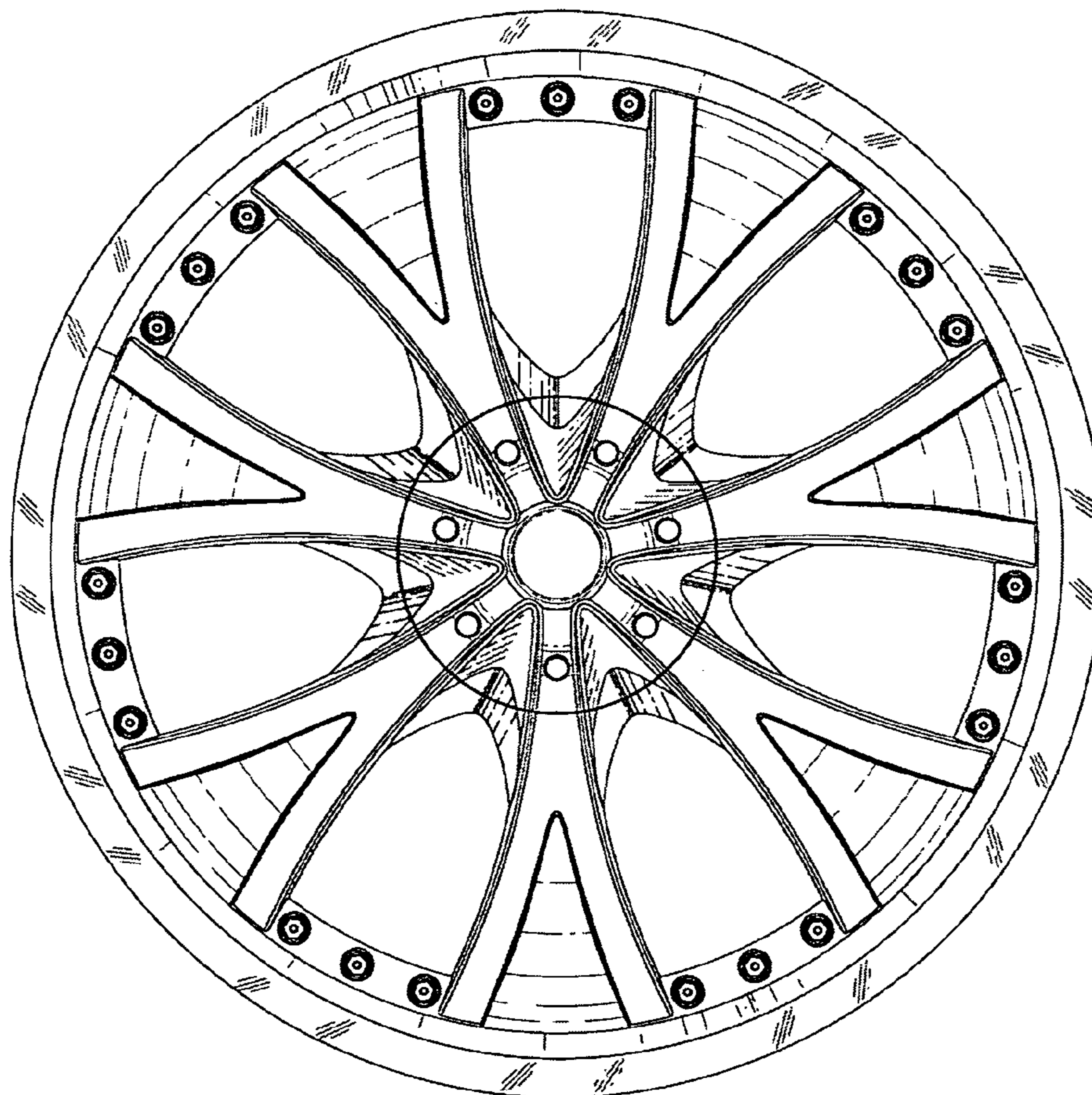


Figure 1

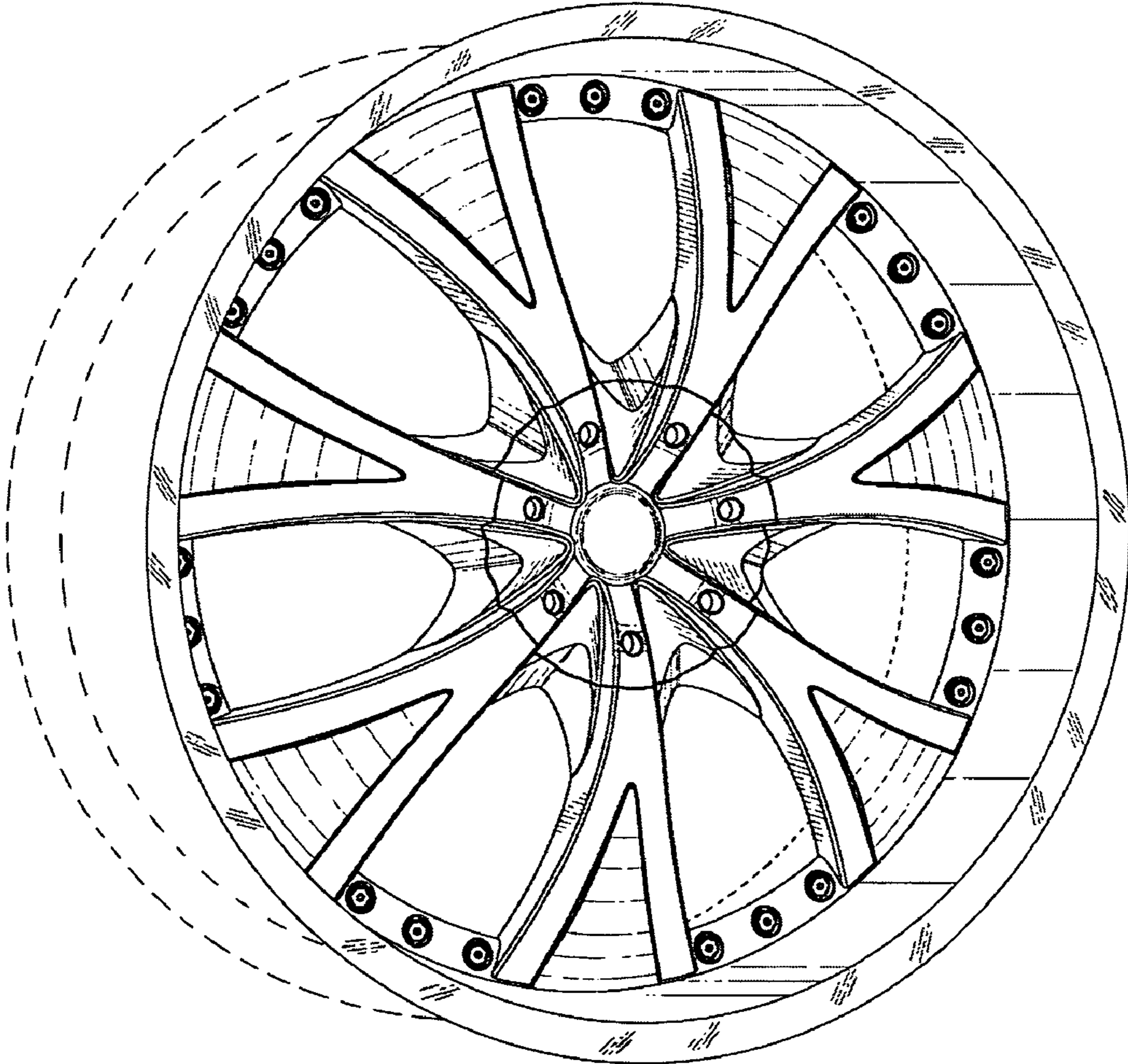


Figure 2

