



US00D585805S

(12) **United States Design Patent**  
**Friedrich et al.**

(10) **Patent No.:** **US D585,805 S**

(45) **Date of Patent:** **\*\* Feb. 3, 2009**

(54) **FRONT FACE OF A VEHICLE WHEEL**

(75) Inventors: **Gerhard Friedrich**, Munich (DE);  
**Jochen Hueller**, Pforzheim (DE)

(73) Assignee: **Bayerische Motoren Werke**  
**Aktiengesellschaft**, Munich (DE)

(\*\*) Term: **14 Years**

(21) Appl. No.: **29/290,881**

(22) Filed: **Jan. 25, 2008**

(30) **Foreign Application Priority Data**

Jul. 27, 2007 (DE) ..... 40703866

(51) **LOC (9) Cl.** ..... **12-16**

(52) **U.S. Cl.** ..... **D12/209**

(58) **Field of Classification Search** ..... D12/204-213;  
301/37.101, 64.101, 65, 64.201  
See application file for complete search history.

(56) **References Cited**

**U.S. PATENT DOCUMENTS**

D485,524 S \* 1/2004 Bhambra ..... D12/209  
D487,881 S \* 3/2004 Laengerer ..... D12/209  
D491,124 S \* 6/2004 Rice ..... D12/209  
D491,865 S 6/2004 Warming

D504,097 S \* 4/2005 Markefka ..... D12/209  
D506,428 S \* 6/2005 Hussaini et al. .... D12/209  
D512,007 S \* 11/2005 Sze ..... D12/209  
D520,431 S \* 5/2006 Truebsbach ..... D12/209  
D522,434 S 6/2006 Langer  
D524,213 S \* 7/2006 Szavits ..... D12/209  
D531,950 S \* 11/2006 Huet ..... D12/209  
D539,720 S \* 4/2007 Looho ..... D12/209

\* cited by examiner

*Primary Examiner*—Stacia Cadmus

(74) *Attorney, Agent, or Firm*—Crowell & Moring LLP

(57) **CLAIM**

The ornamental design for a front face of a vehicle wheel, as shown and described.

**DESCRIPTION**

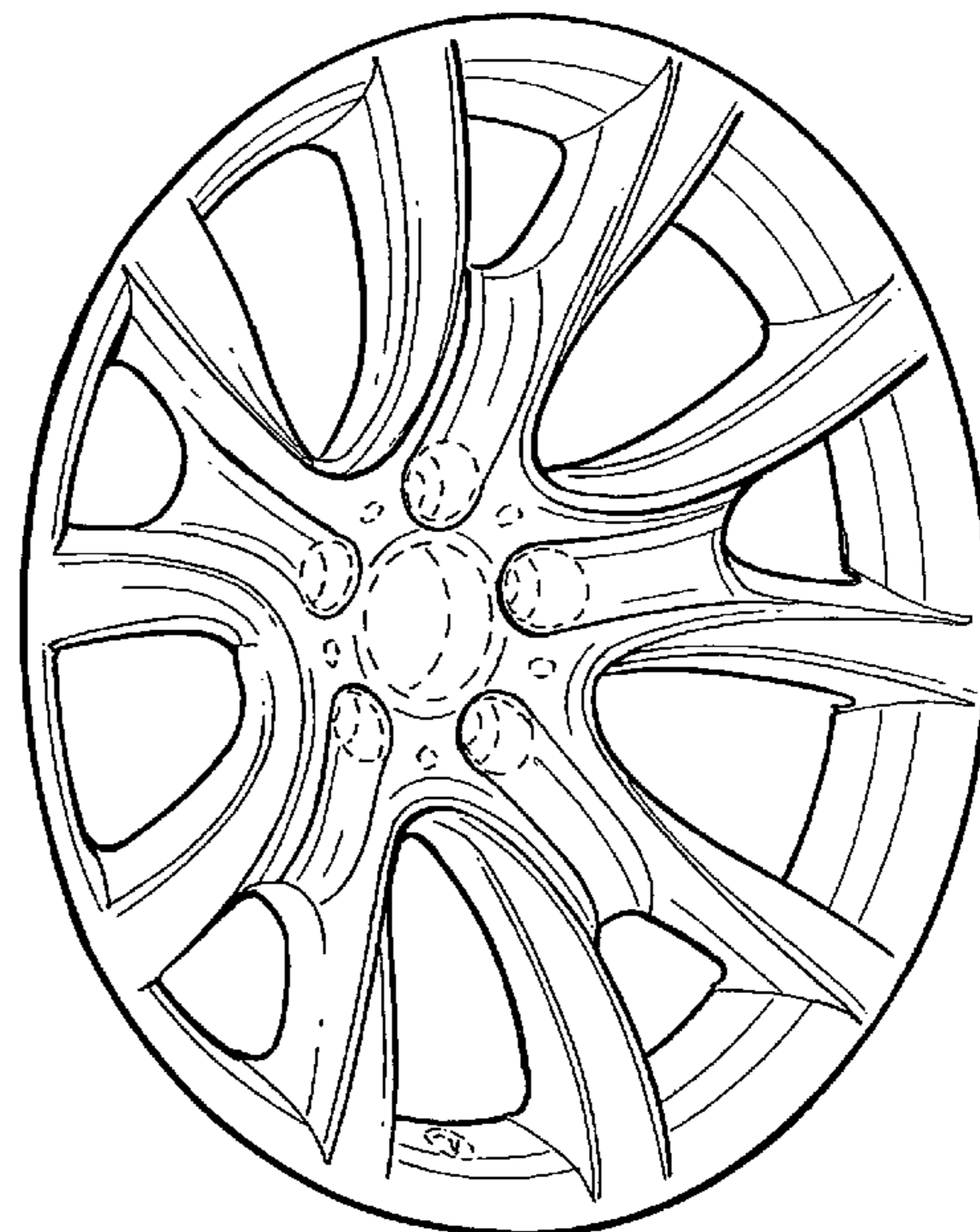
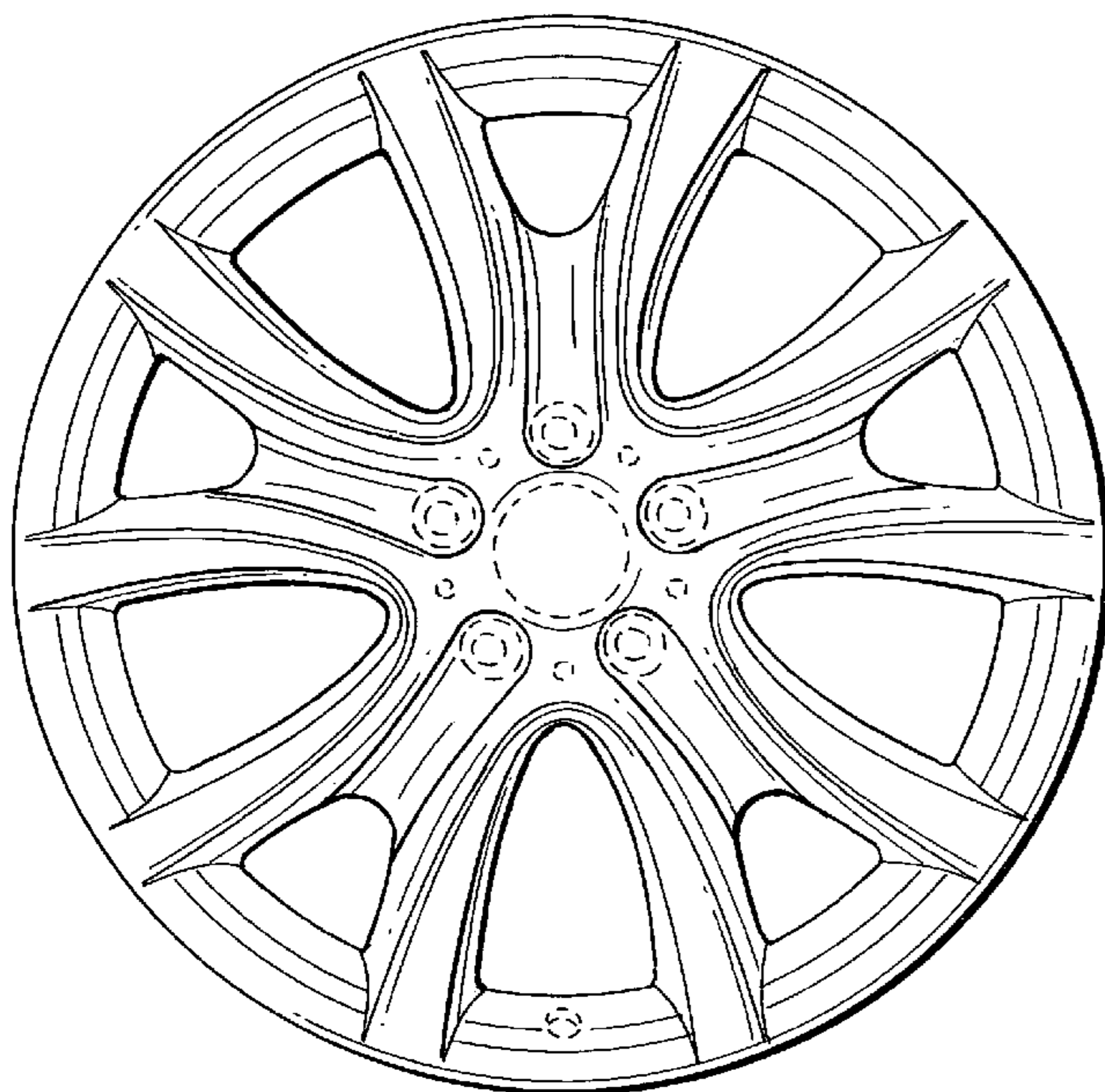
This application is related to co-pending Application Ser. No. 29/283,804, filed Aug. 24, 2007, entitled “front face of a vehicle wheel.”

FIG. 1 is a front view of a front face of a vehicle wheel according to our novel design; and,

FIG. 2 is a perspective view thereof.

The broken lines are for illustrative purposes only and form no part of the claimed design.

**1 Claim, 1 Drawing Sheet**



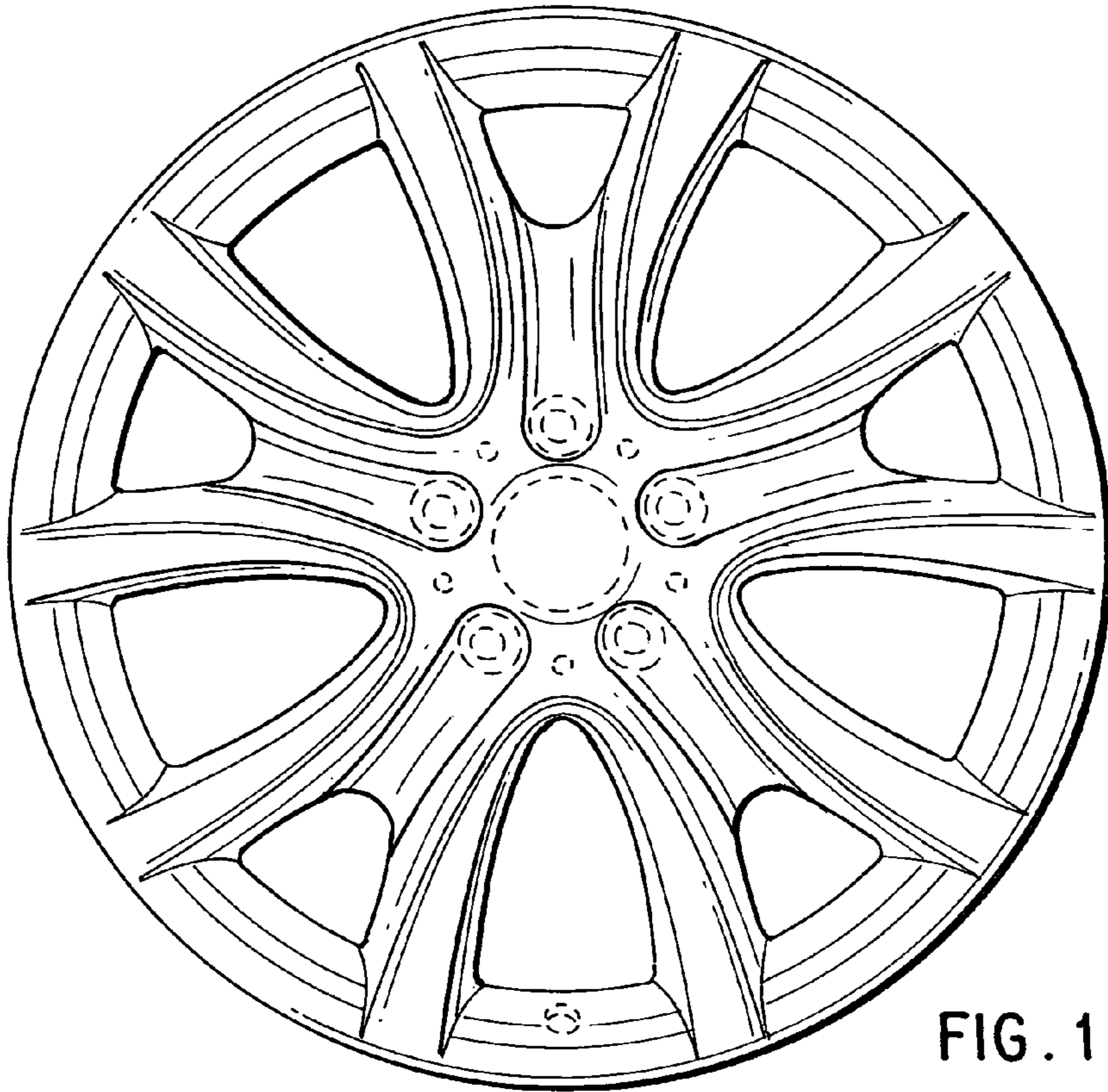


FIG. 1

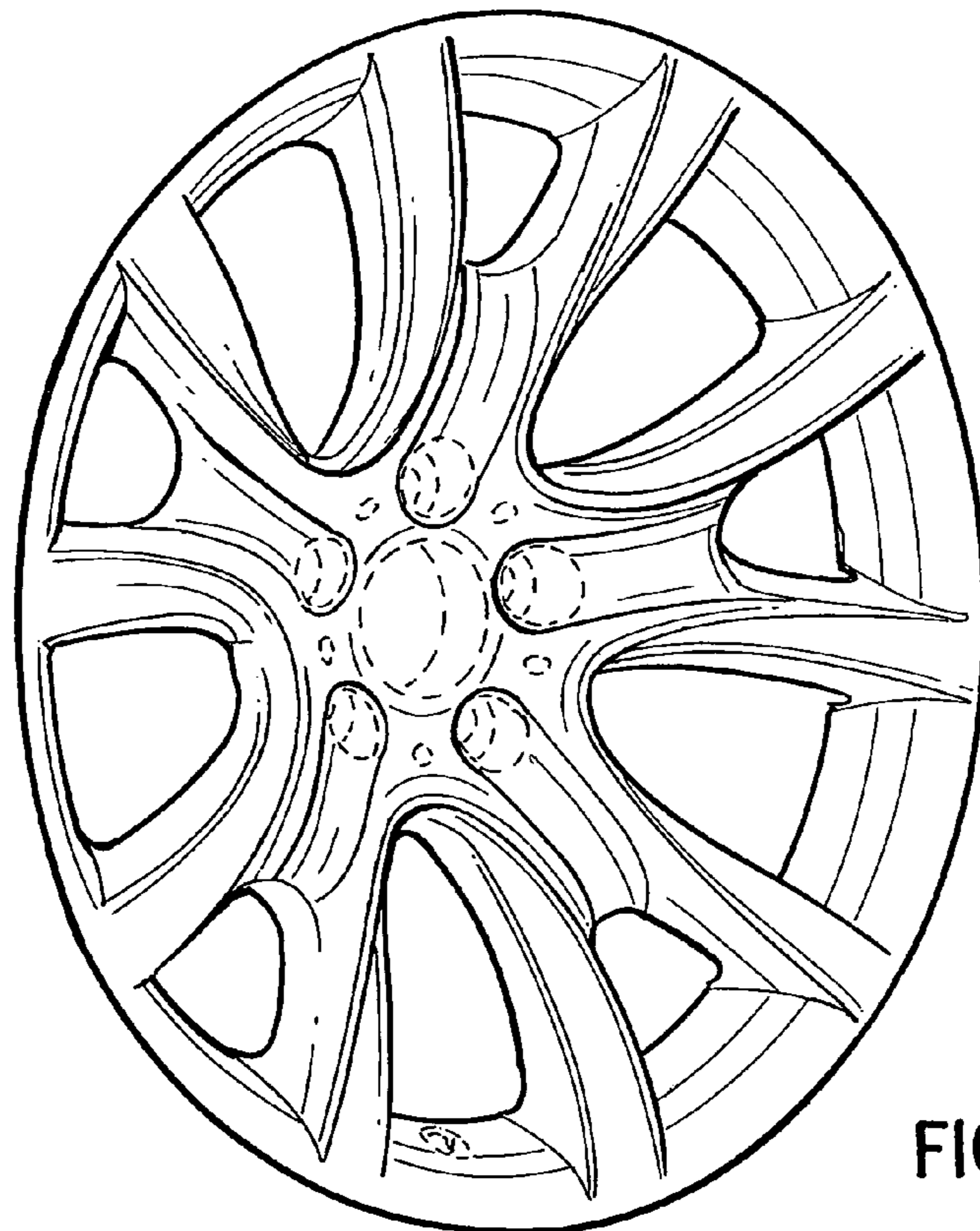


FIG. 2