



US00D585804S

(12) **United States Design Patent**
Pfeiffer

(10) **Patent No.:** **US D585,804 S**
(45) **Date of Patent:** **** Feb. 3, 2009**

(54) **FRONT FACE OF A VEHICLE WHEEL**

(75) Inventor: **Peter Pfeiffer**, Boeblingen (DE)

(73) Assignee: **Daimler AG**, Stuttgart (DE)

(**) Term: **14 Years**

(21) Appl. No.: **29/287,584**

(22) Filed: **Aug. 24, 2007**

(30) **Foreign Application Priority Data**

Feb. 26, 2007 (EM) 000677216-0004

(51) **LOC (9) Cl.** **12-16**

(52) **U.S. Cl.** **D12/209**

(58) **Field of Classification Search** D12/204–213;
301/37.101, 64.101, 65, 64.201

See application file for complete search history.

(56) **References Cited**

U.S. PATENT DOCUMENTS

D206,432 S *	12/1966	Reid	D12/209
D377,471 S *	1/1997	Stach	D12/209
D391,543 S *	3/1998	Renkert	D12/209
D392,237 S *	3/1998	Kelley	D12/209
D407,680 S *	4/1999	Bhambra	D12/209
D413,851 S *	9/1999	Donikoglu	D12/209
D414,738 S *	10/1999	Escue	D12/209
D420,637 S *	2/2000	Glade	D12/209
D421,417 S *	3/2000	Weidhase	D12/209
D426,184 S *	6/2000	Goplen	D12/209
6,089,671 A *	7/2000	Iacovelli et al. 301/37.108	
D459,689 S *	7/2002	Hieke	D12/211
D460,941 S *	7/2002	Muzzarelli	D12/211
D463,349 S *	9/2002	Vian	D12/209
D483,313 S *	12/2003	Lenz	D12/209
D486,437 S *	2/2004	Hieke	D12/211
D486,770 S *	2/2004	Pollmann	D12/209
D487,418 S *	3/2004	Hieke	D12/211
D497,339 S *	10/2004	Heinrich	D12/209
D503,916 S *	4/2005	Clarke	D12/209
D504,098 S *	4/2005	Gallert	D12/209
D515,491 S *	2/2006	Elmitt	D12/209

D518,764 S *	4/2006	Looho	D12/209
D519,902 S *	5/2006	Pfeiffer	D12/209
D522,431 S *	6/2006	Hieke	D12/209
D522,946 S *	6/2006	Hieke	D12/209
D522,947 S *	6/2006	Hieke	D12/209
D530,258 S *	10/2006	Schell	D12/211
D531,104 S *	10/2006	Kim	D12/209
D532,733 S *	11/2006	Hieke	D12/209
D532,734 S *	11/2006	Hieke	D12/209
D535,242 S *	1/2007	Lyew	D12/211
D542,211 S *	5/2007	Hieke	D12/211
D542,724 S *	5/2007	Thorpe	D12/209
D542,726 S *	5/2007	Hieke	D12/209
D542,729 S *	5/2007	Hieke	D12/211
D544,823 S *	6/2007	Hieke	D12/211
D551,147 S *	9/2007	Guevara	D12/209
D553,550 S *	10/2007	Tirado	D12/211
D569,776 S *	5/2008	Hieke	D12/211
D570,760 S *	6/2008	Hieke	D12/211
D572,646 S *	7/2008	Hieke	D12/209
D578,949 S *	10/2008	Hieke	D12/211
D579,847 S *	11/2008	Hieke	D12/211

* cited by examiner

Primary Examiner—Cathron C Brooks

Assistant Examiner—Austin Murphy

(74) *Attorney, Agent, or Firm*—Crowell & Moring LLP

(57) **CLAIM**

The ornamental design for a front face of a vehicle wheel, as shown and described.

DESCRIPTION

FIG. 1 is a front view of a first embodiment of a front face of a vehicle wheel according to my design; and

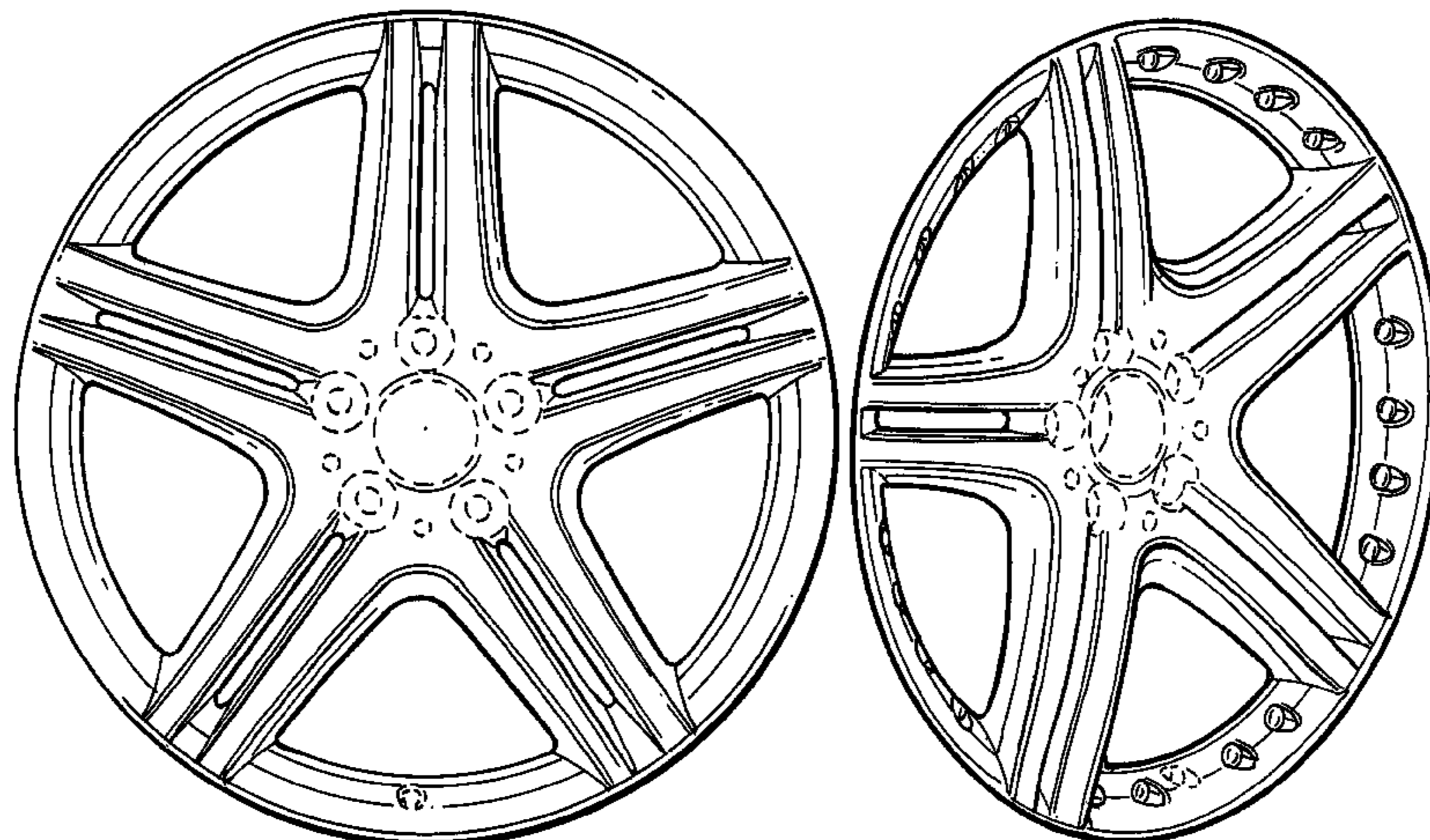
FIG. 2 is a perspective view thereof.

FIG. 3 is a front view of a second embodiment of the front face of a vehicle wheel according to my novel design; and,

FIG. 4 is a perspective view thereof.

The broken lines are for illustrative purposes only and form no part of the claimed design.

1 Claim, 2 Drawing Sheets



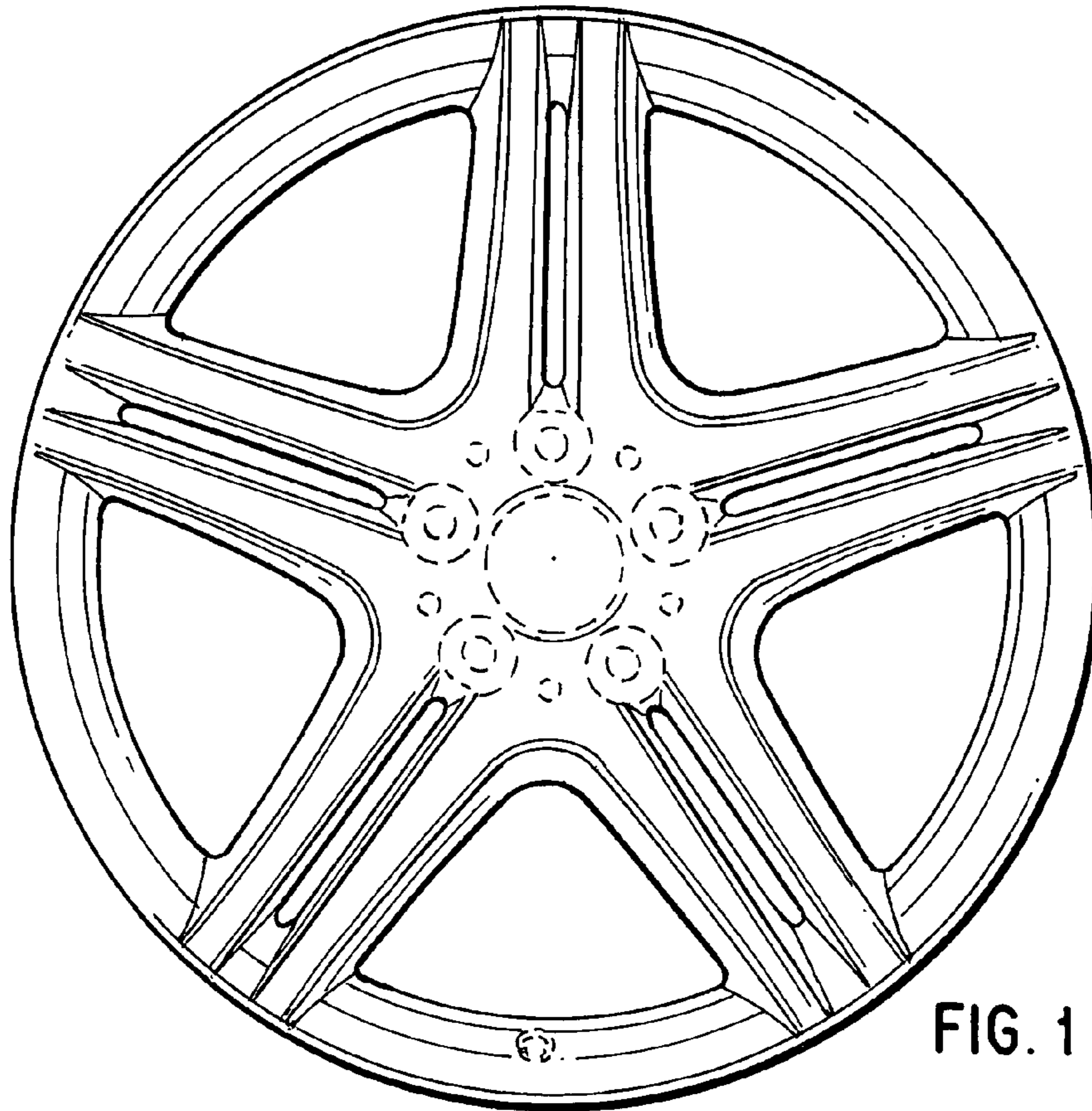


FIG. 1

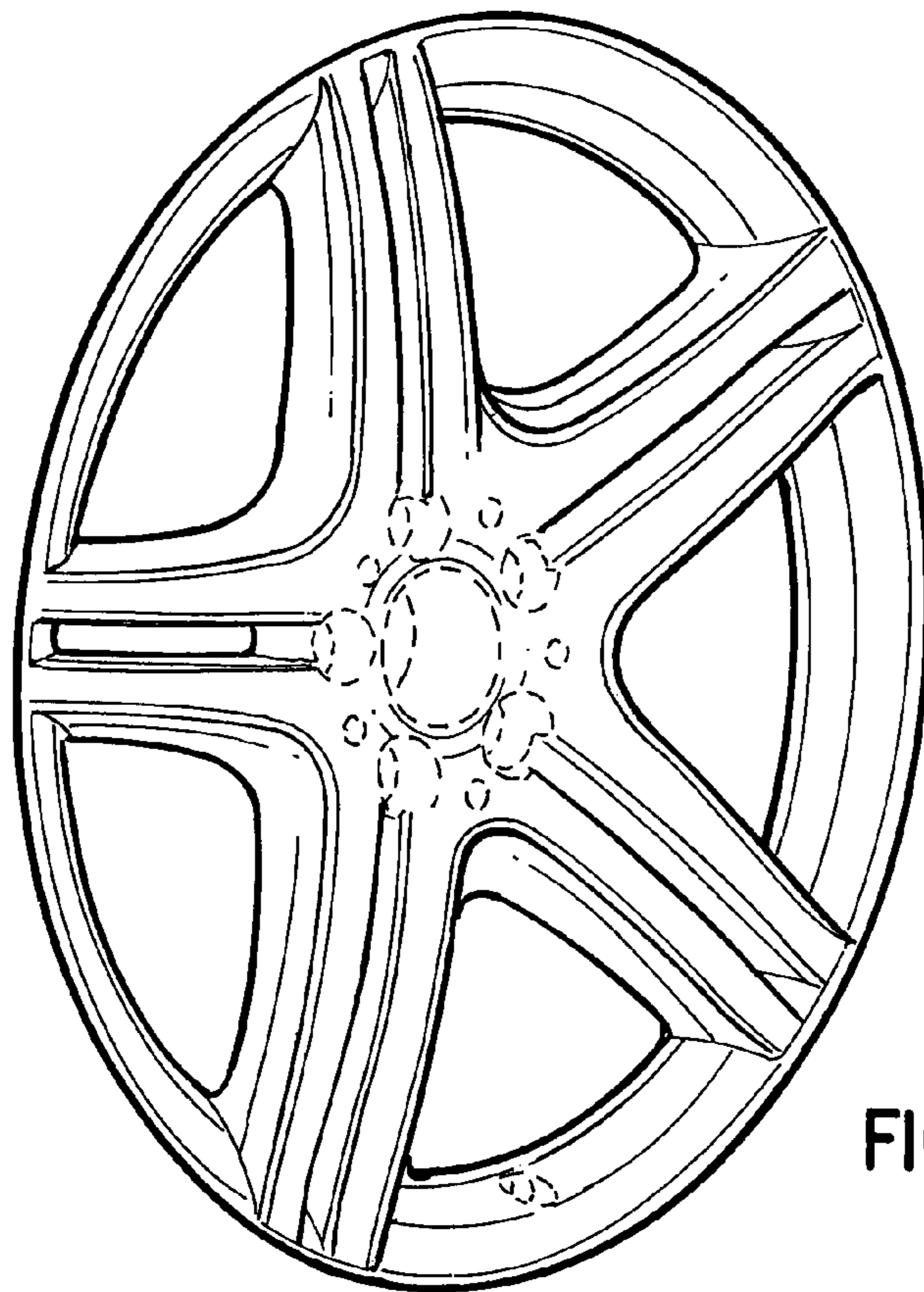


FIG. 2

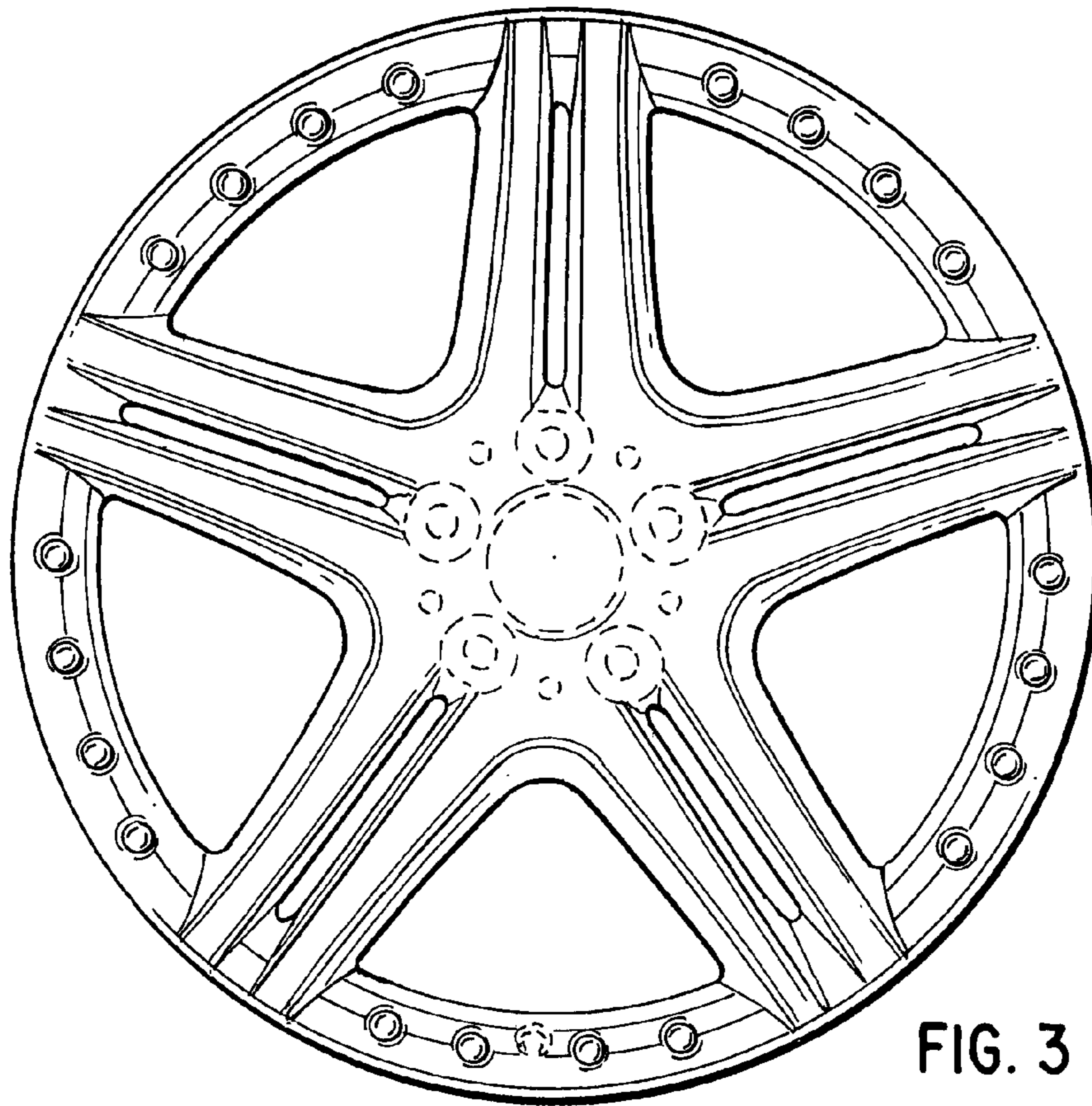


FIG. 3

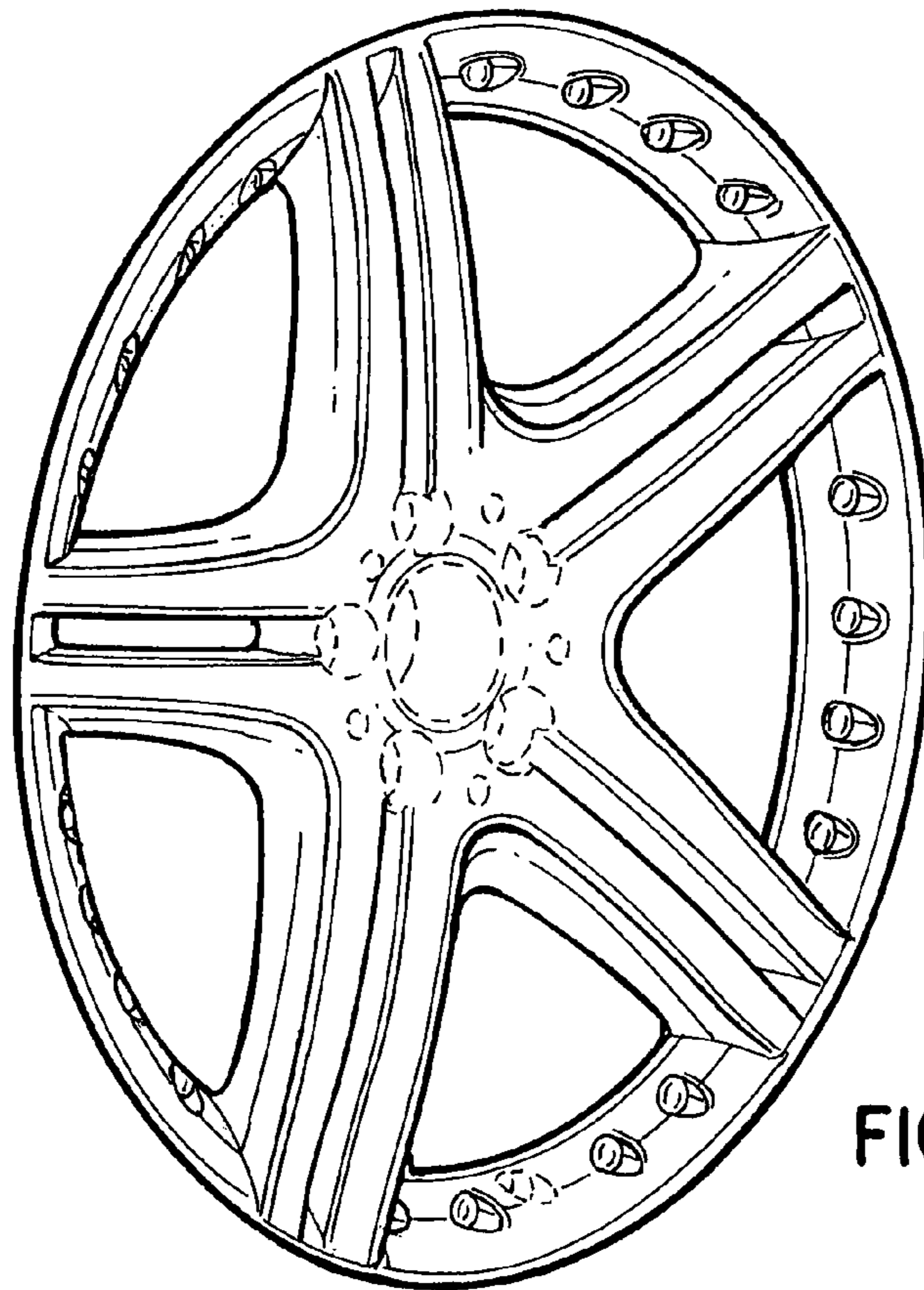


FIG. 4