



US00D585802S

(12) **United States Design Patent**
Hieke

(10) **Patent No.:** **US D585,802 S**
(45) **Date of Patent:** **** Feb. 3, 2009**

(54) **FRONT FACE OF A VEHICLE WHEEL**

(75) Inventor: **Claus Hieke**, Sindelfingen (DE)

(73) Assignee: **Daimler AG**, Stuttgart (DE)

(**) Term: **14 Years**

(21) Appl. No.: **29/268,813**

(22) Filed: **Nov. 14, 2006**

(30) **Foreign Application Priority Data**

May 15, 2006 (EM) 000529185-0007
May 15, 2006 (EM) 000529185-0008

(51) **LOC (9) Cl.** **12-16**

(52) **U.S. Cl.** **D12/209**

(58) **Field of Classification Search** D12/204-213;
301/37.101, 64.101, 65, 64.201
See application file for complete search history.

(56) **References Cited**

U.S. PATENT DOCUMENTS

D206,432 S * 12/1966 Reid D12/209
D375,073 S * 10/1996 Theiss D12/209
D377,471 S * 1/1997 Stach D12/209
D401,205 S * 11/1998 Fischer D12/209
D430,523 S * 9/2000 Pfeiffer D12/209
D452,838 S * 1/2002 Hieke D12/209
D453,131 S * 1/2002 Gabath D12/209
D454,530 S * 3/2002 Hieke D12/211
D461,756 S * 8/2002 Hieke D12/211
D462,309 S * 9/2002 Hieke D12/211
D486,437 S * 2/2004 Hieke D12/211
D487,418 S * 3/2004 Hieke D12/211
D495,985 S * 9/2004 Lai D12/209
D497,339 S * 10/2004 Heinrich D12/209
D504,649 S * 5/2005 Pfeiffer D12/209
D514,495 S * 2/2006 Hieke D12/211
D515,996 S * 2/2006 Baumgartner D12/209

D519,902 S * 5/2006 Pfeiffer D12/209
D522,431 S * 6/2006 Hieke D12/209
D522,946 S * 6/2006 Hieke
D522,947 S * 6/2006 Hieke
D525,928 S * 8/2006 Pfeiffer D12/209
D528,059 S * 9/2006 Hieke D12/209
D532,733 S * 11/2006 Hieke D12/209
D532,734 S * 11/2006 Hieke D12/209
D537,027 S * 2/2007 Hieke D12/211
D542,211 S * 5/2007 Hieke D12/211
D542,726 S * 5/2007 Hieke D12/209
D542,729 S * 5/2007 Hieke D12/211
D551,147 S * 9/2007 Guevara D12/209
D572,646 S * 7/2008 Hieke D12/209
D578,949 S * 10/2008 Hieke D12/211
D579,847 S * 11/2008 Hieke D12/211

FOREIGN PATENT DOCUMENTS

DE 40403902.2 7/2004

* cited by examiner

Primary Examiner—Cathron C Brooks

Assistant Examiner—Austin Murphy

(74) *Attorney, Agent, or Firm*—Crowell & Moring LLP

(57) **CLAIM**

The ornamental design for a front face of a vehicle wheel, as shown and described.

DESCRIPTION

FIG. 1 is a front view of a first embodiment of a front face of a vehicle wheel according to my design; and

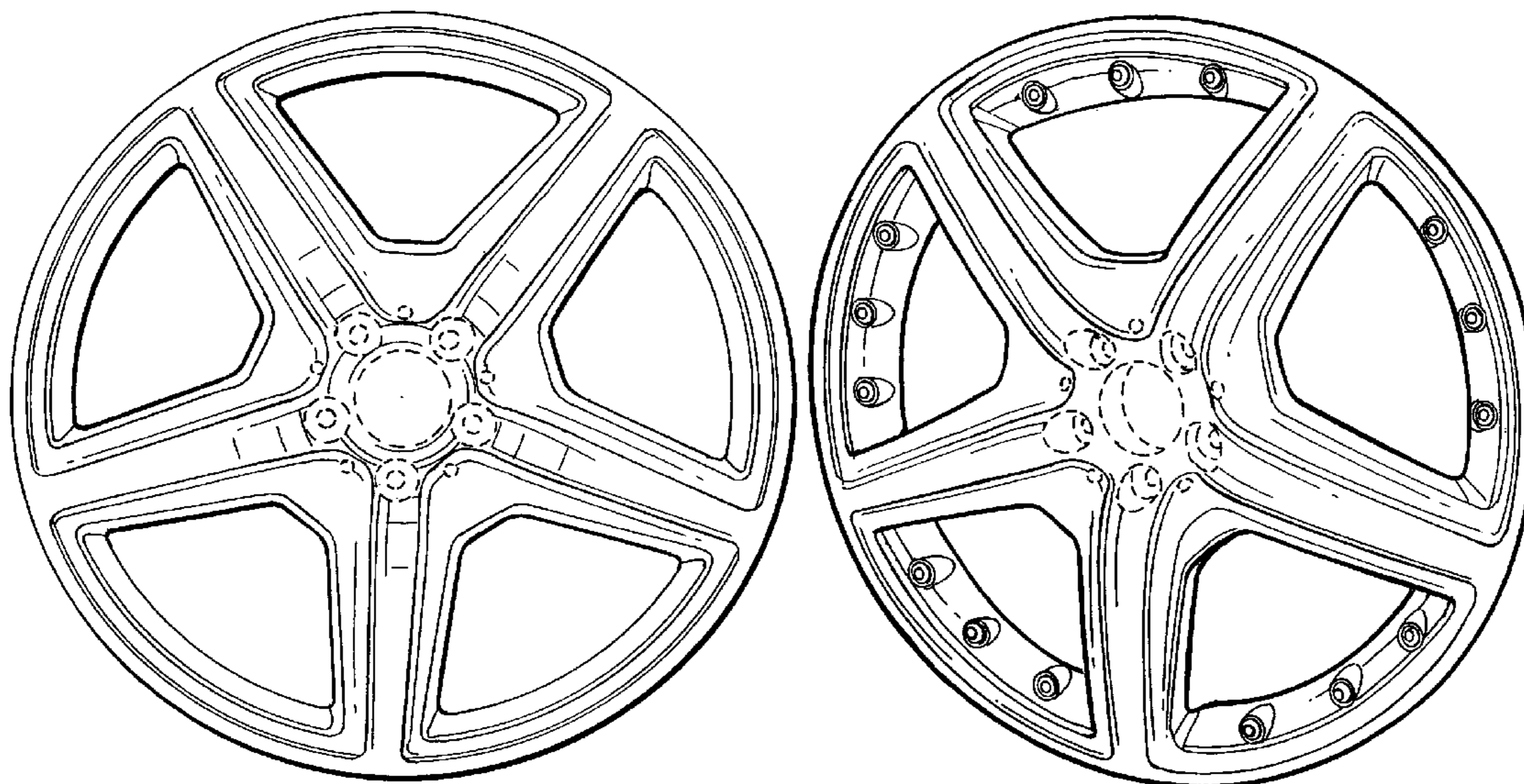
FIG. 2 is a perspective view thereof.

FIG. 3 is a front view of a second embodiment of the front face of a vehicle wheel according to my novel design; and,

FIG. 4 is a perspective view thereof.

The broken lines are for illustrative purposes only and form no part of the claimed design.

1 Claim, 2 Drawing Sheets



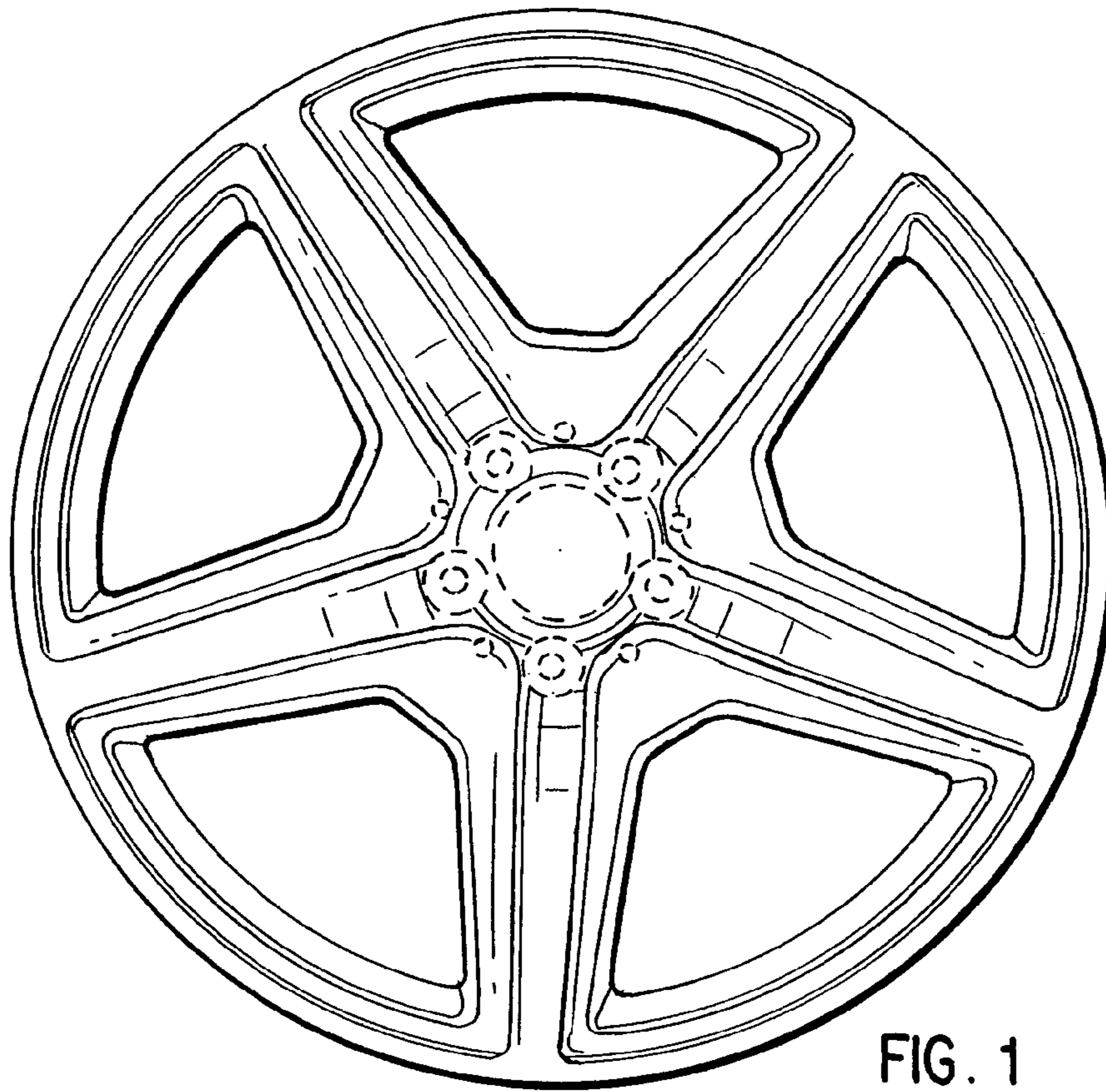


FIG. 1

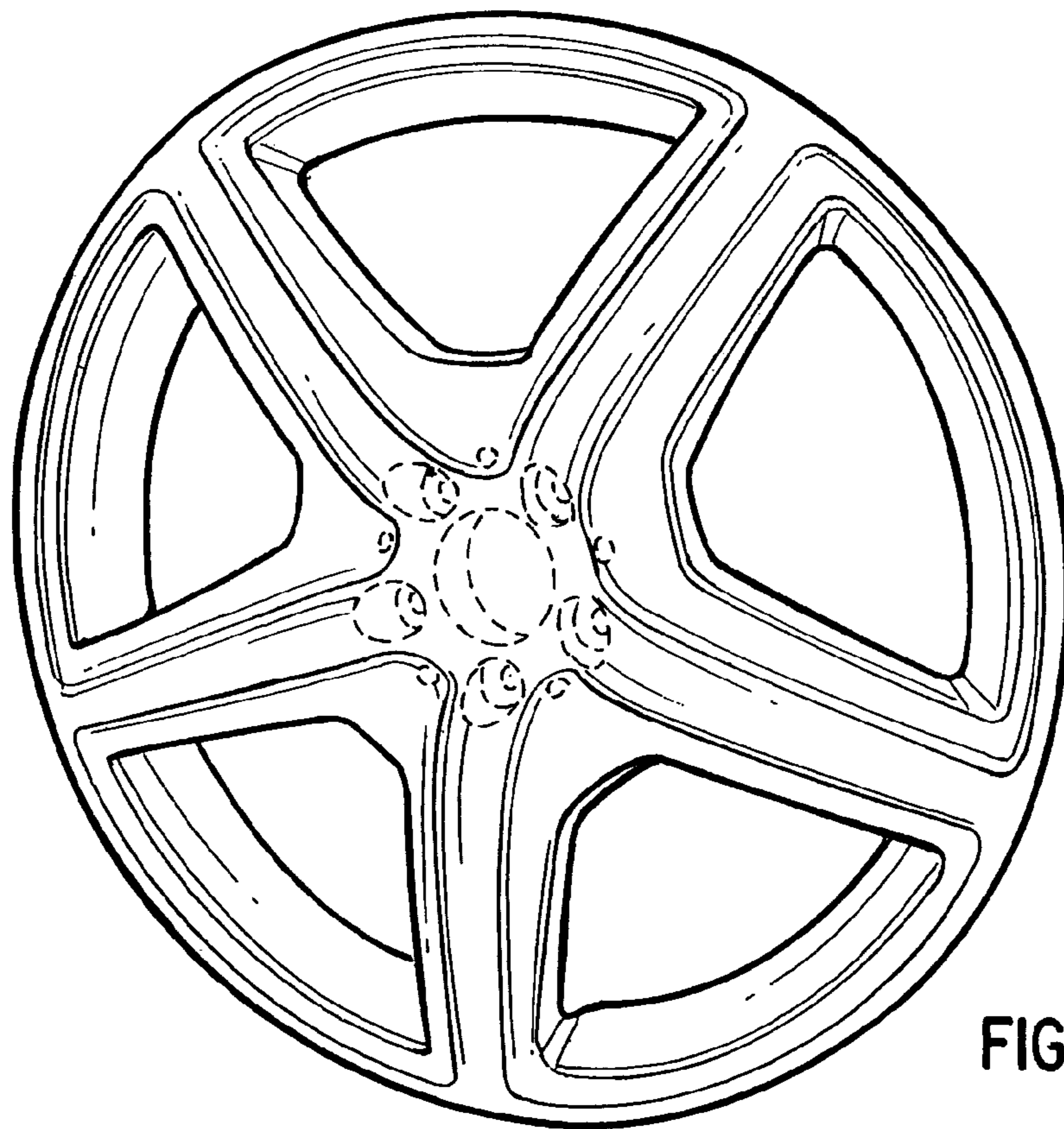


FIG. 2

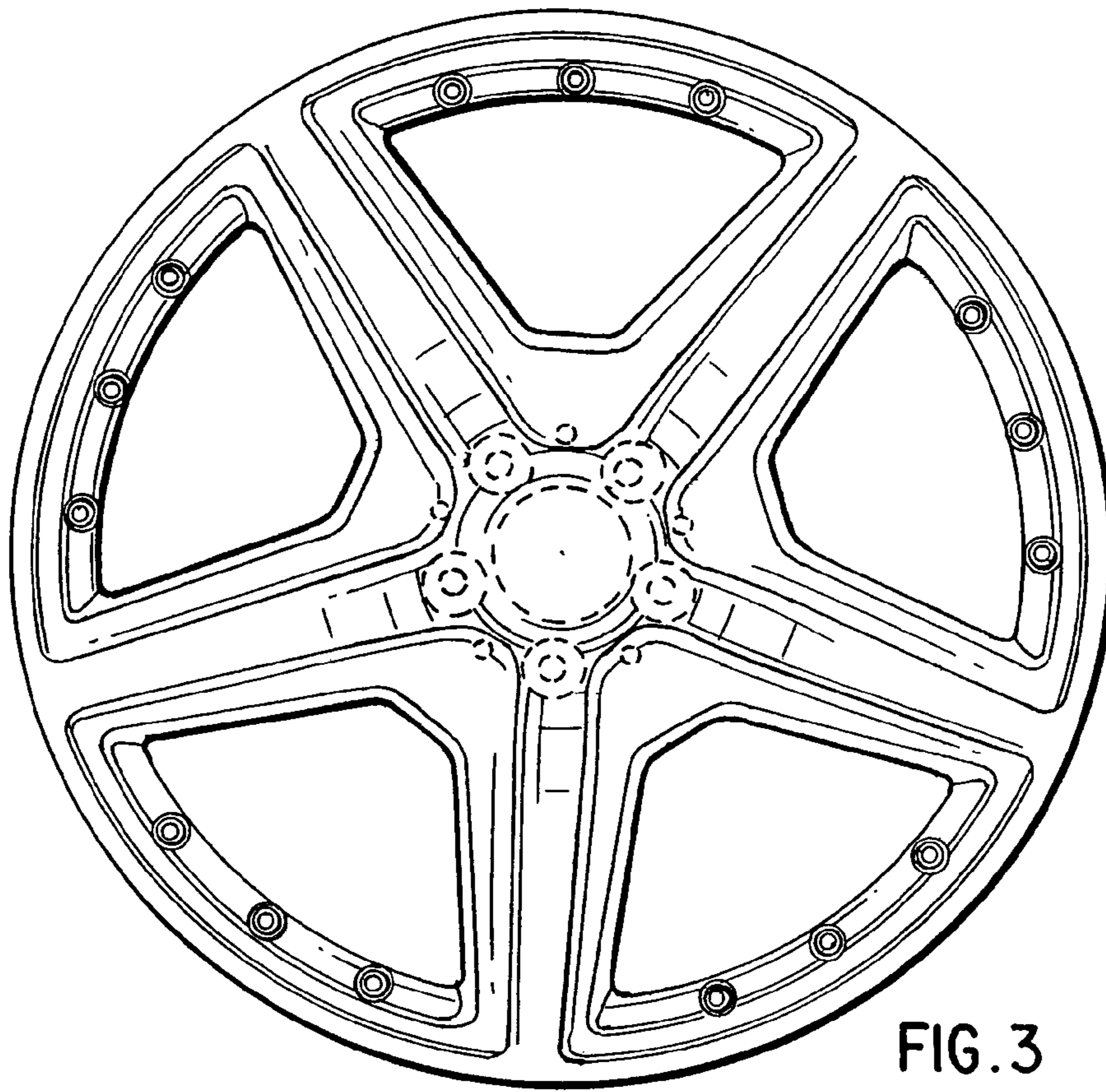


FIG. 3

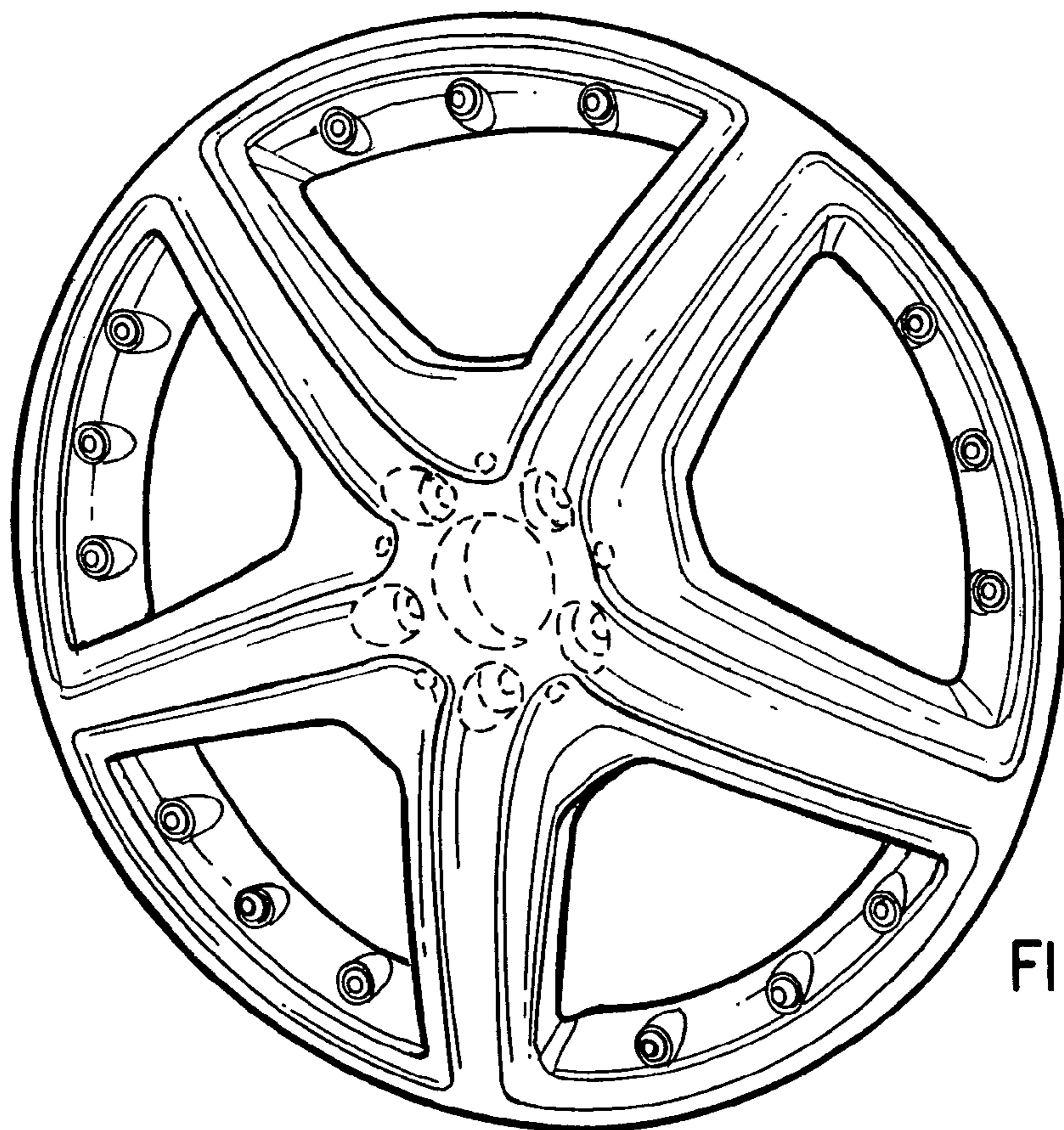


FIG. 4