



US00D585801S

(12) **United States Design Patent**
Wang

(10) **Patent No.:** **US D585,801 S**

(45) **Date of Patent:** **** Feb. 3, 2009**

(54) **WHEEL COVER OF THE TRUCK FRONT WHEEL**

D536,291 S * 2/2007 Wright et al. D12/207
D566,028 S * 4/2008 Wright et al. D12/207

(76) **Inventor:** **Ming-Cheng Wang**, P.O. Box 90, Tainan City 70499 (TW)

* cited by examiner

Primary Examiner—Stacia Cadmus

(**) **Term:** **14 Years**

(57) **CLAIM**

(21) **Appl. No.:** **29/320,704**

The ornamental design for a wheel cover of the truck front wheel, as shown and described.

(22) **Filed:** **Jul. 2, 2008**

(51) **LOC (9) Cl.** **12-16**

(52) **U.S. Cl.** **D12/207**

(58) **Field of Classification Search** D12/204–213;
301/37.101, 64.101, 65, 64, 201, 37.376
See application file for complete search history.

DESCRIPTION

FIG. 1 is a perspective view of a wheel cover of the truck front wheel showing my design;

FIG. 2 is a front elevational view thereof;

FIG. 3 is a left side elevational view thereof;

FIG. 4 is a right side elevational view thereof;

FIG. 5 is a top plan view thereof; and,

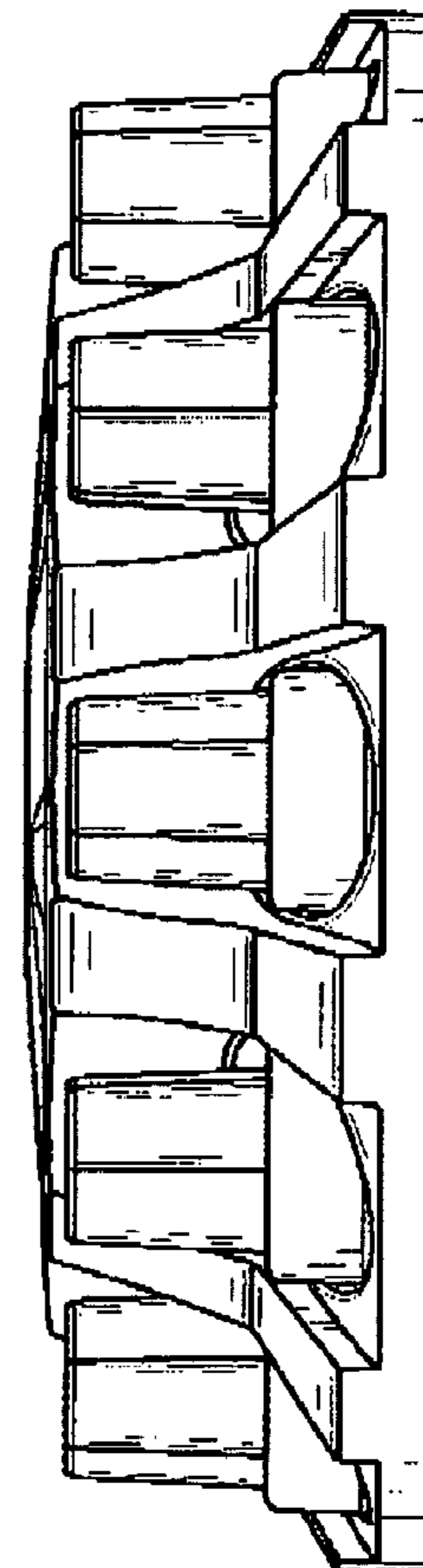
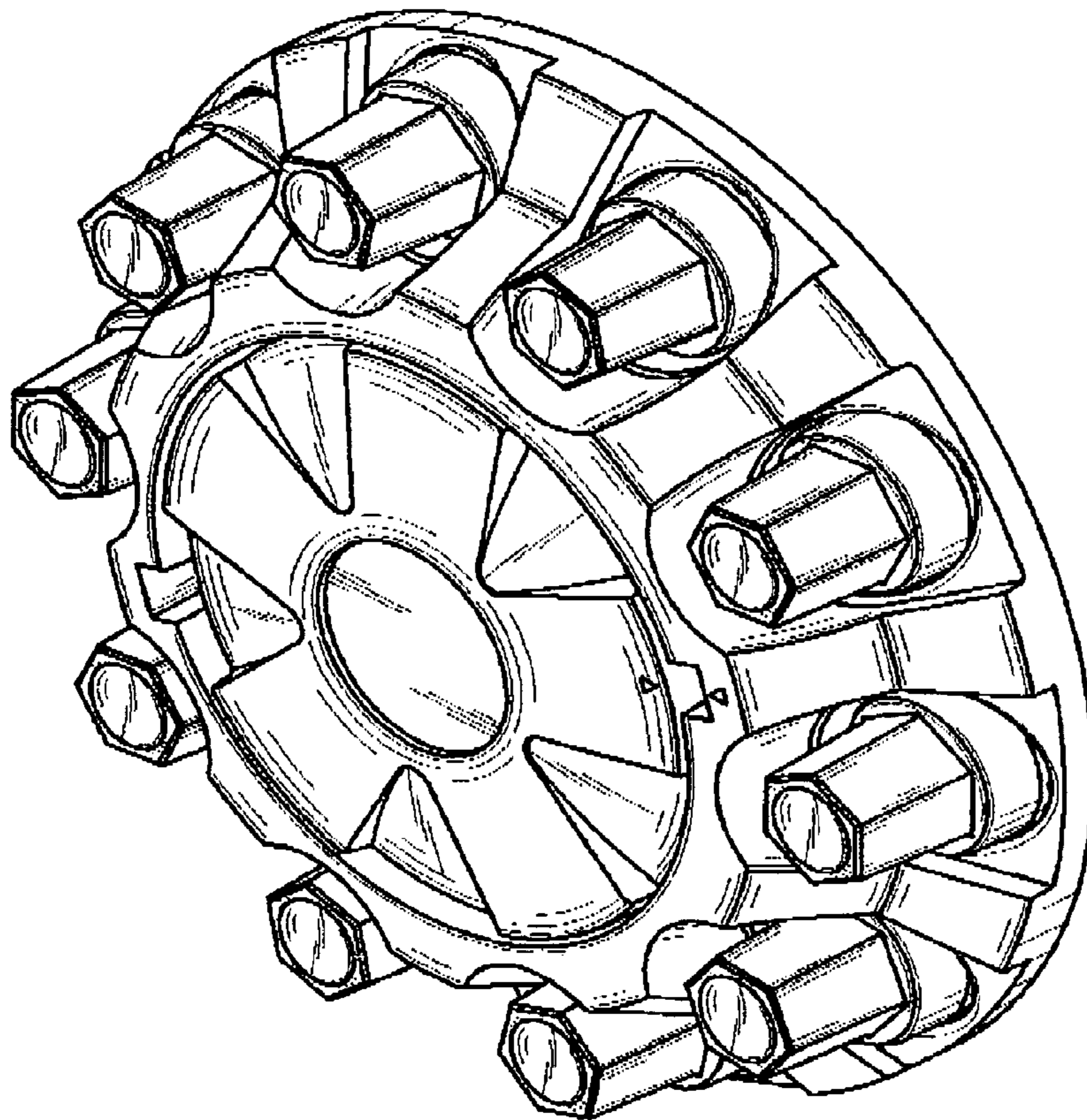
FIG. 6 is a bottom plan view thereof.

(56) **References Cited**

U.S. PATENT DOCUMENTS

5,645,324 A * 7/1997 Wright et al. 301/37.376
D472,867 S * 4/2003 Smartt D12/213
D498,447 S * 11/2004 Kato D12/207

1 Claim, 4 Drawing Sheets



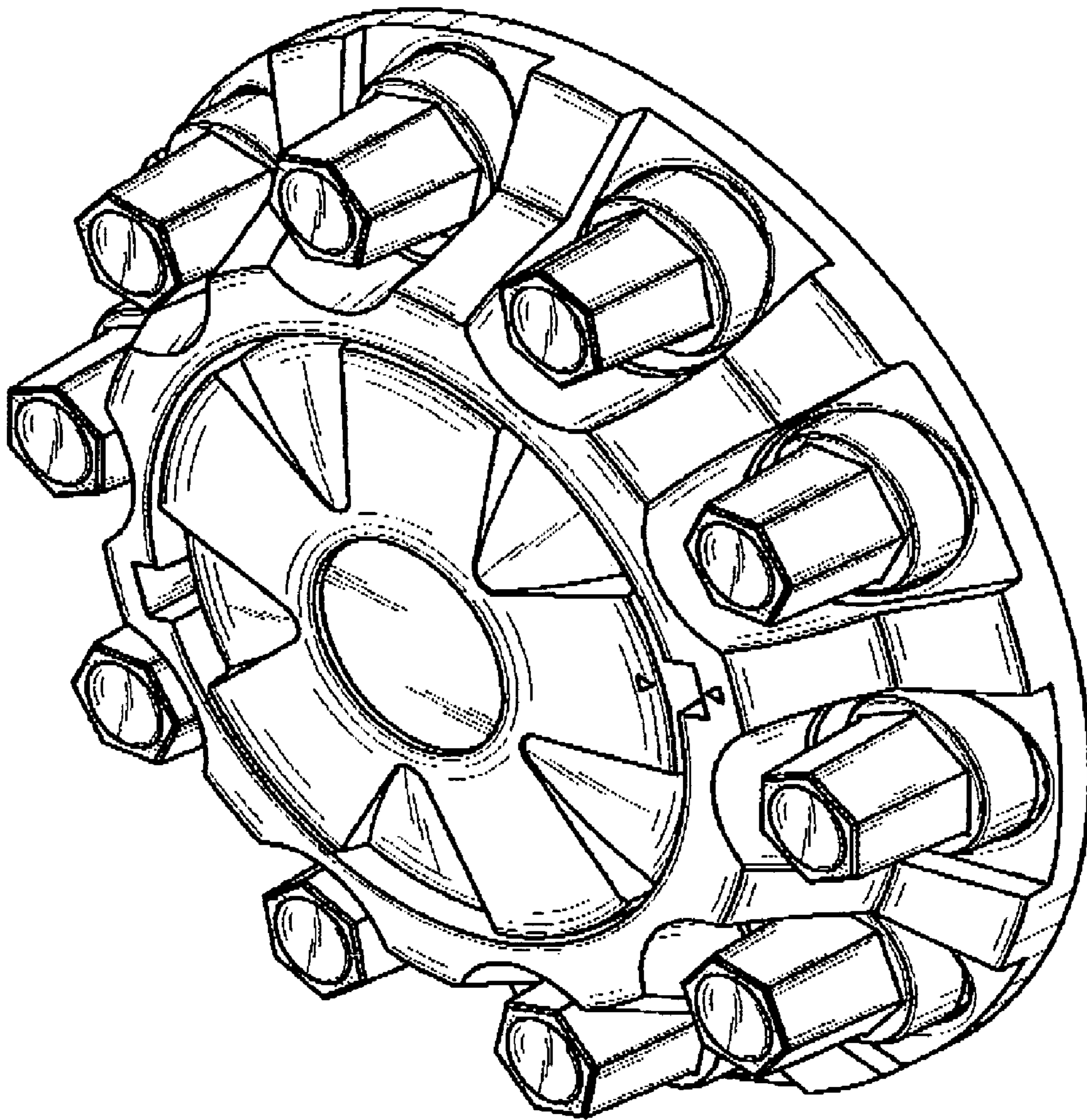


FIG. 1

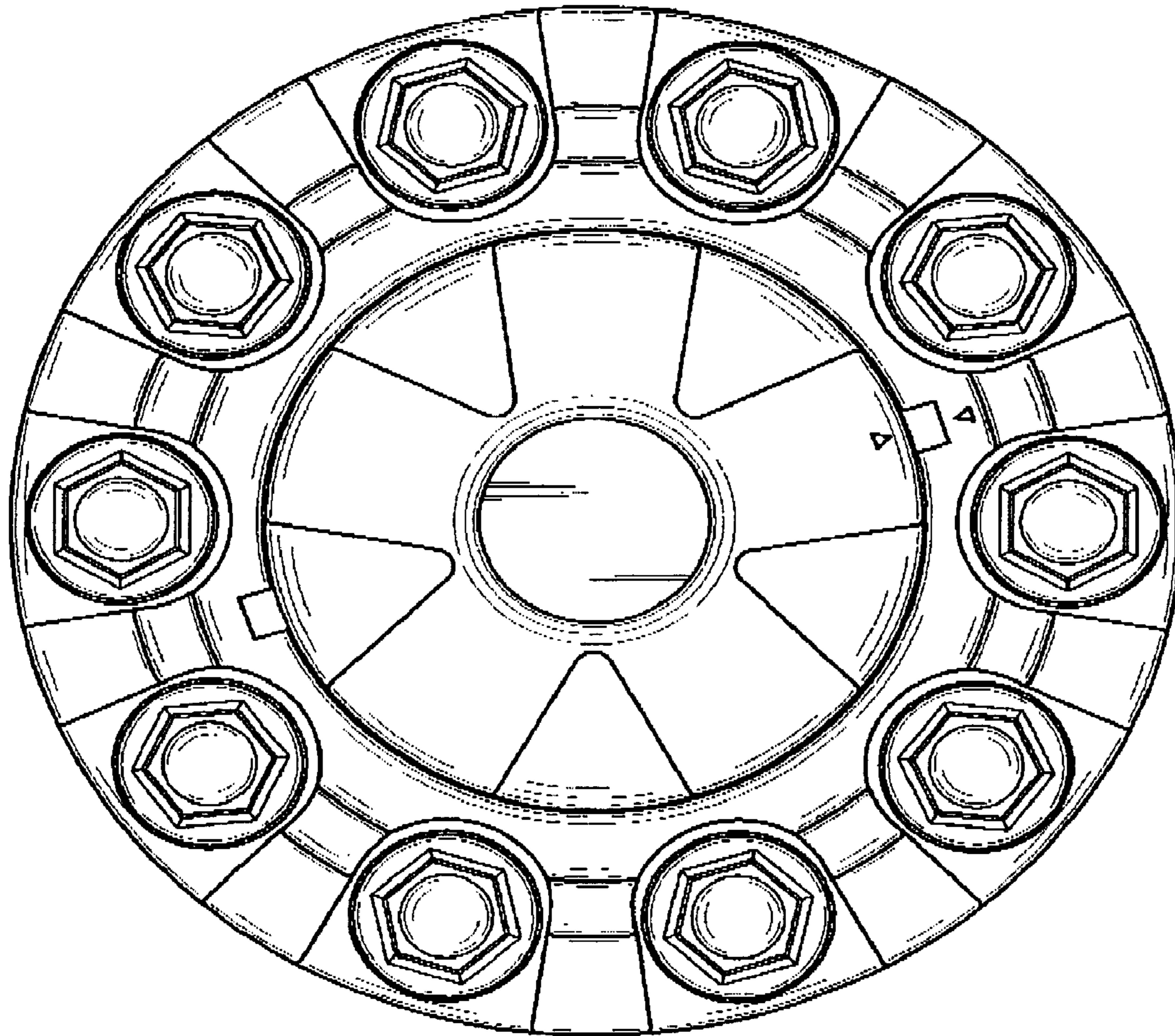


FIG.2

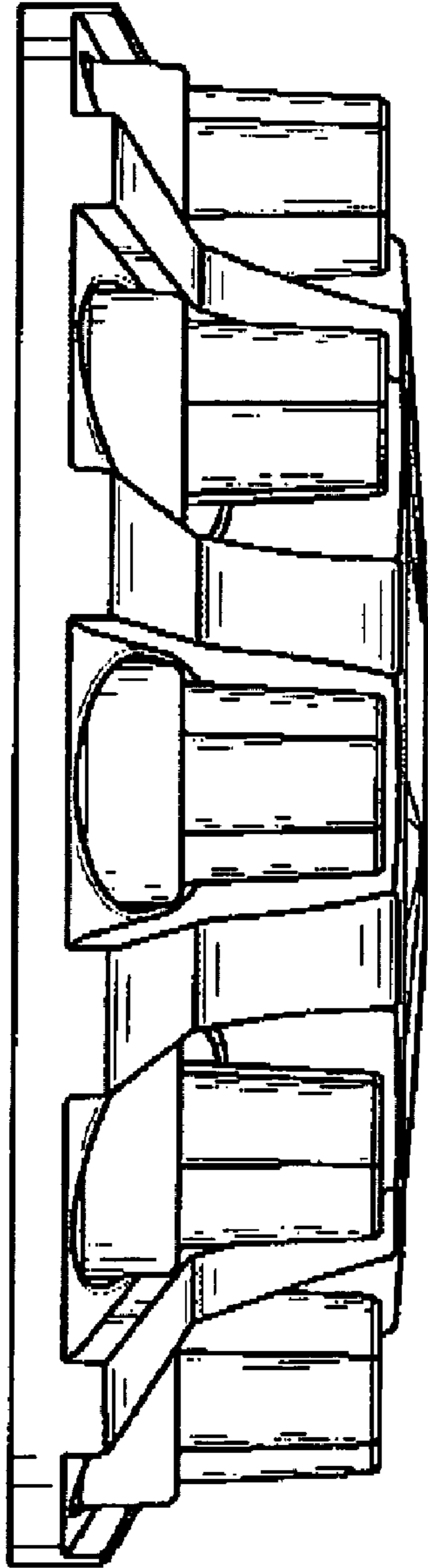


FIG. 3

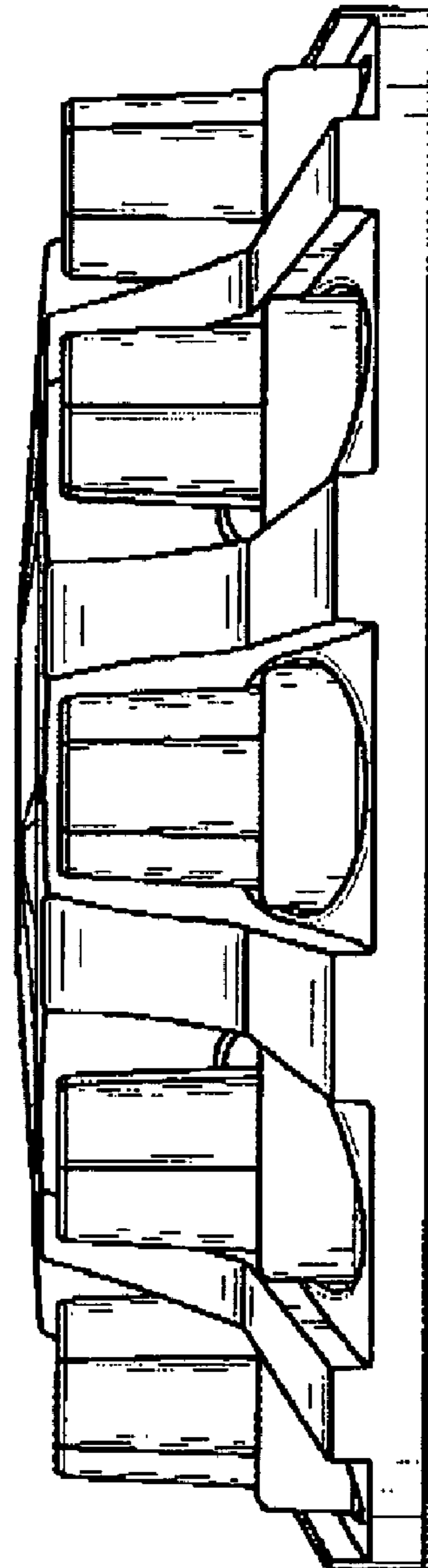


FIG. 4

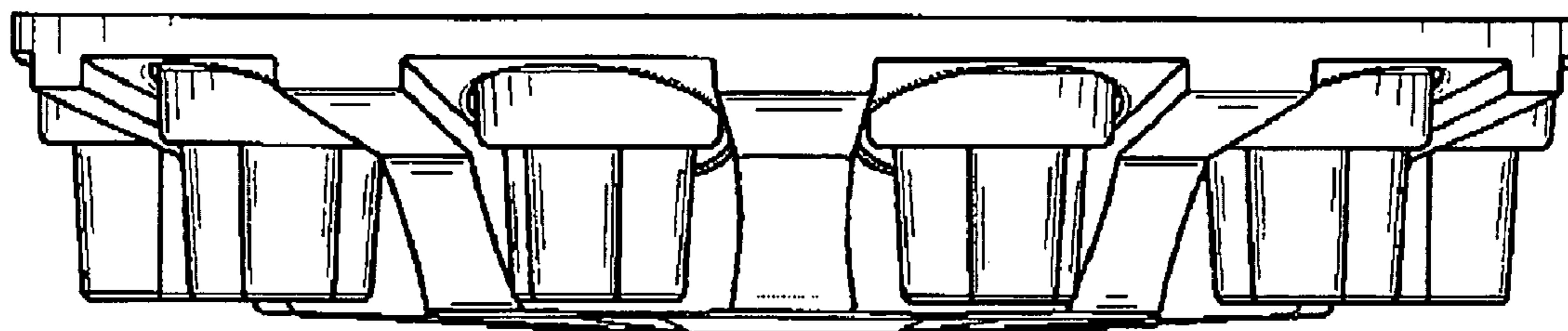


FIG. 5

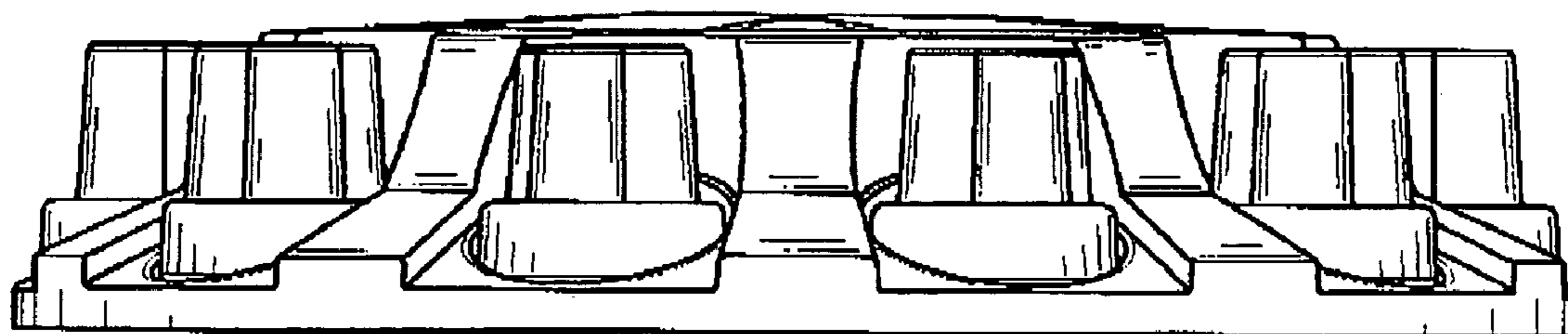


FIG. 6