



US00D585795S

(12) **United States Design Patent**  
**Gundlach et al.**

(10) **Patent No.:** **US D585,795 S**  
(45) **Date of Patent:** **\*\* Feb. 3, 2009**

(54) **HITCH MOUNTED VEHICLE LIGHT BALL MOUNT COMBINATION**

(76) Inventors: **Gary Gundlach**, 12 Treasure Island Rd., Plainville, MA (US) 02762; **Gary Avila**, 16 Chainey St., Seekonk, MA (US) 02771

(\*\*) Term: **14 Years**

(21) Appl. No.: **29/310,167**

(22) Filed: **Jul. 30, 2008**

(51) **LOC (9) Cl.** ..... **12-16**

(52) **U.S. Cl.** ..... **D12/162**

(58) **Field of Classification Search** ..... D12/106, D12/199, 161, 162, 400, 420; 280/186, 402-405.1, 280/405.2, 407, 407.1, 416.2, 455.1, 491, 280/491.5, 511, 512, 513; D26/28-38; 224/494, 224/512, 519, 520, 521

See application file for complete search history.

(56) **References Cited**

**U.S. PATENT DOCUMENTS**

D255,107 S *	5/1980	Slepetz	.....	D26/35
4,800,471 A *	1/1989	Lippert	.....	362/485
6,079,136 A *	6/2000	Kozlarek	.....	224/519
6,140,919 A *	10/2000	Buchanan	.....	340/475
D441,472 S *	5/2001	Torname	.....	D26/28
D446,818 S *	8/2001	Kim	.....	D20/10
6,553,697 B1 *	4/2003	Pichan	.....	40/205
D474,294 S *	5/2003	Smith et al.	.....	D26/37
6,561,686 B1	5/2003	Neubauer		
D478,935 S *	8/2003	Gearhart et al.	.....	D12/162
6,734,792 B1 *	5/2004	McElveen	.....	362/485
D509,919 S	9/2005	Durgan et al.		
2003/0012029 A1 *	1/2003	McCoy et al.	.....	362/505
2004/0156205 A1	8/2004	Pisciotti		

\* cited by examiner

*Primary Examiner*—T. Chase Nelson  
*Assistant Examiner*—Michael A Pratt

(57) **CLAIM**

The ornamental design for a hitch mounted vehicle light ball mount combination, as shown and described.

**DESCRIPTION**

FIG. 1 is a perspective view of the hitch mounted vehicle light ball mount combination employing my new design;

FIG. 2 is a top view of the hitch mounted vehicle light ball mount combination of FIG. 1;

FIG. 3 is a bottom view of the hitch mounted vehicle light ball mount combination of FIG. 1;

FIG. 4 is a left side view of the hitch mounted vehicle light ball mount combination of FIG. 1;

FIG. 5 is a right side view of the hitch mounted vehicle light ball mount combination of FIG. 1;

FIG. 6 is a top view of the hitch mounted vehicle light ball mount combination of FIG. 1;

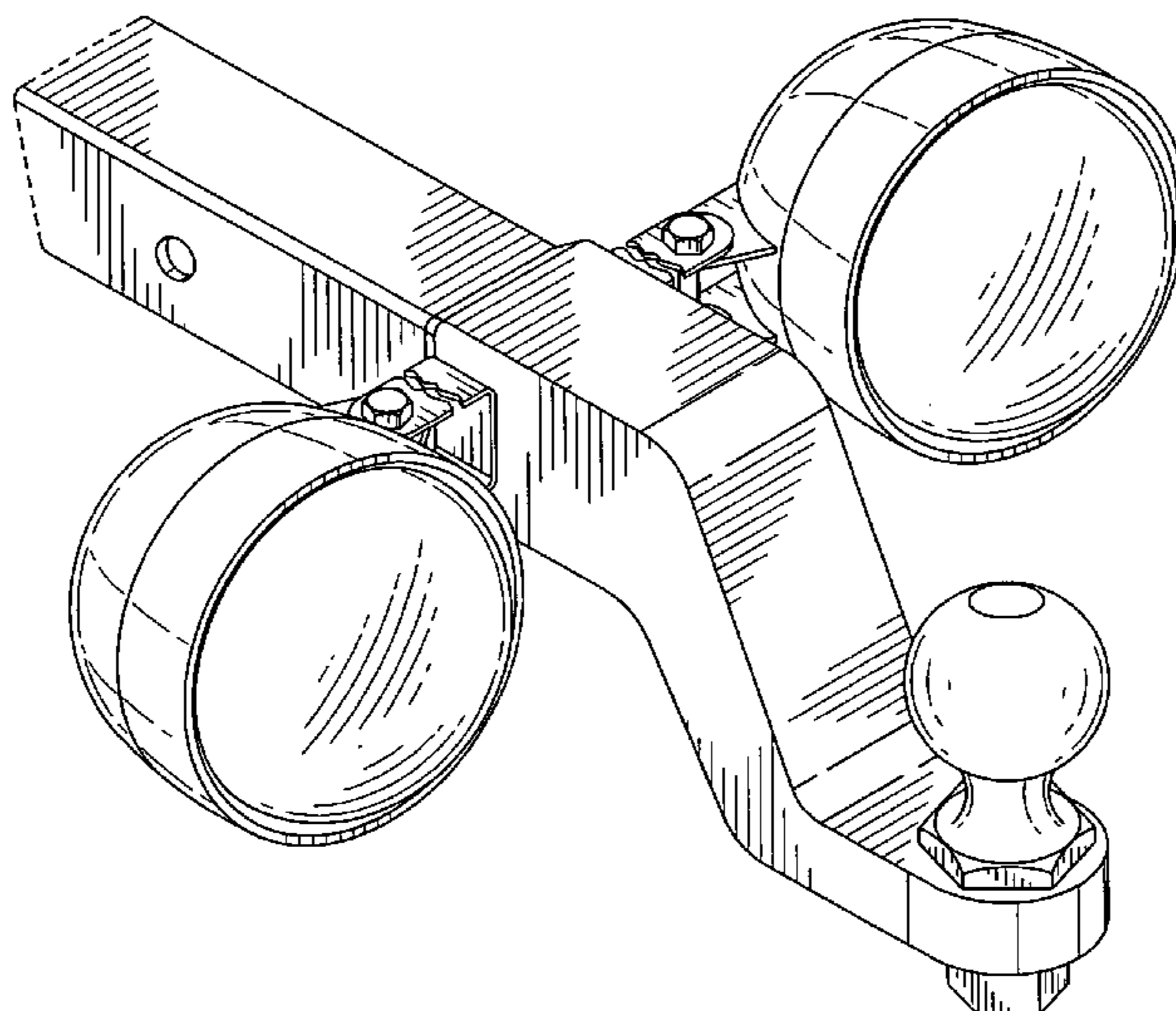
FIG. 7 is a bottom view of the hitch mounted vehicle light ball mount combination of FIG. 1; and,

FIG. 8 is a perspective view of the hitch mounted vehicle light ball mount combination of FIG. 1, showing the claimed design in condition of use with a broken line representative vehicle. A portion of the claimed design that is inserted into the broken line structure is not visible in this view.

The broken lines on the hitch mounted vehicle light ball mount combination indicate the boundaries of the claimed design. The broken line showing of environmental structure is included for purposes of illustrating the design in condition of use. None of the broken lines form a part of the claimed design.

The design is shown broken away on either side to indicate that specific lengths of the elements connecting the lights to the body of the design form no part of the claimed design.

**1 Claim, 6 Drawing Sheets**



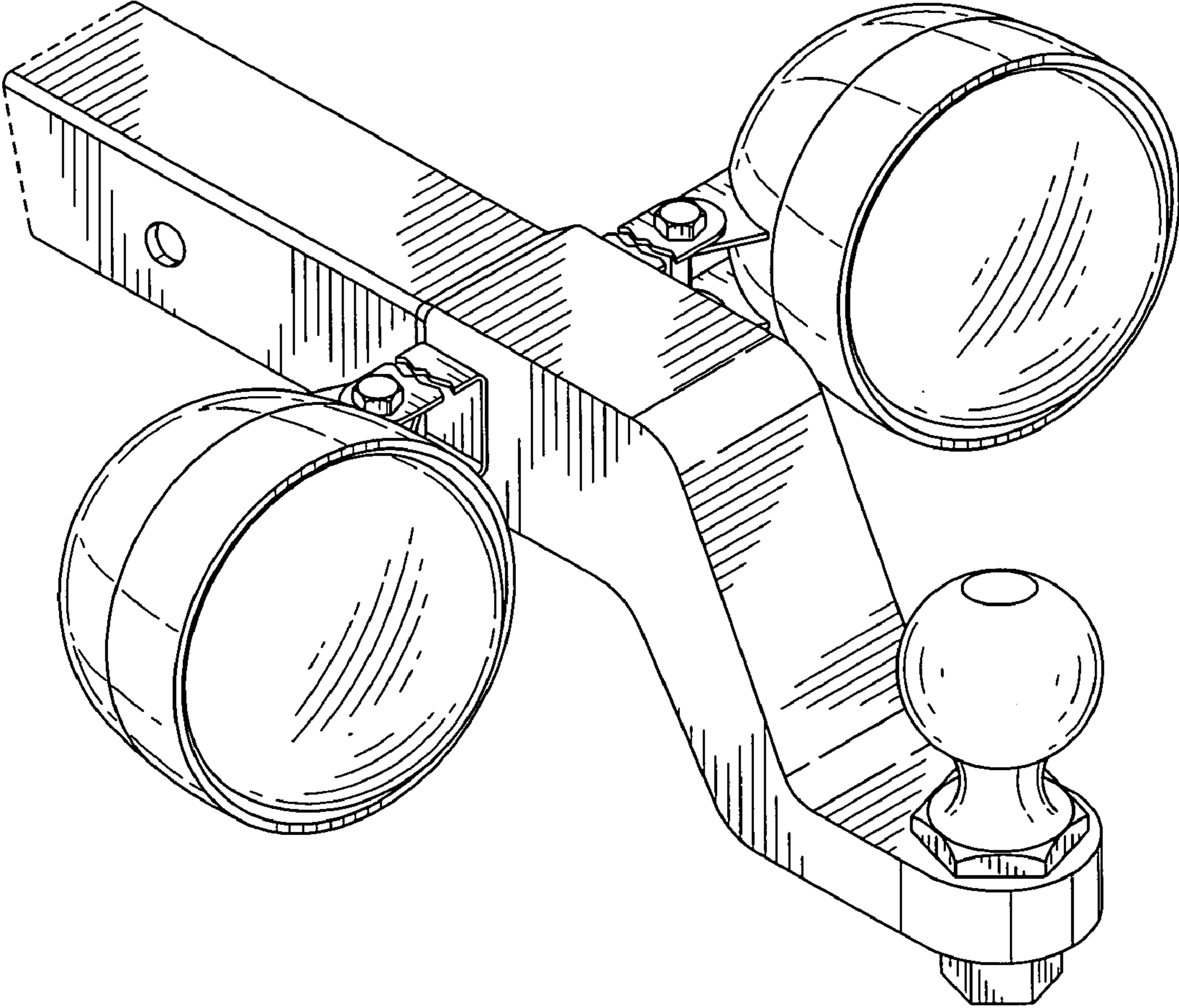


FIG. 1

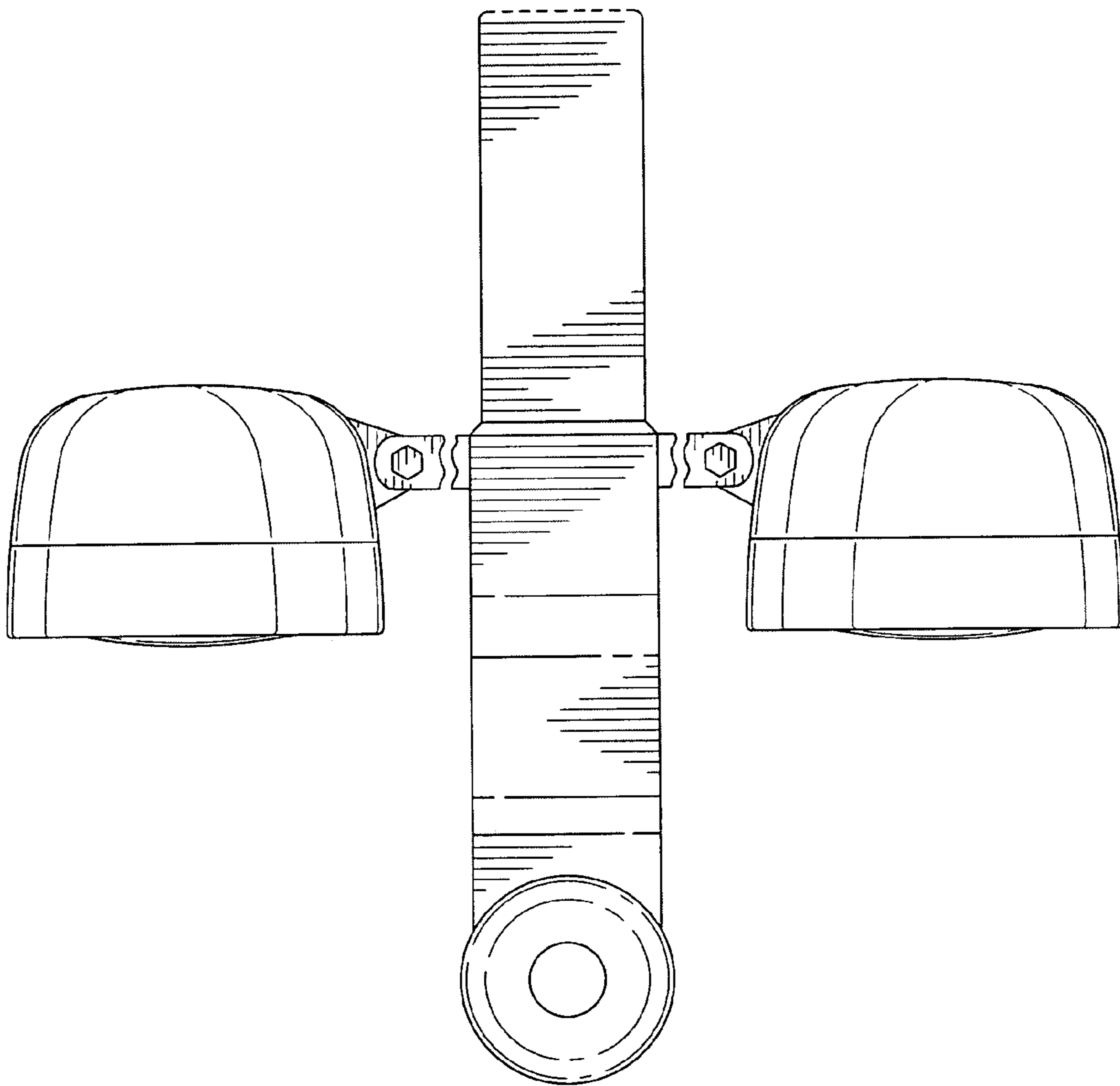


FIG. 2

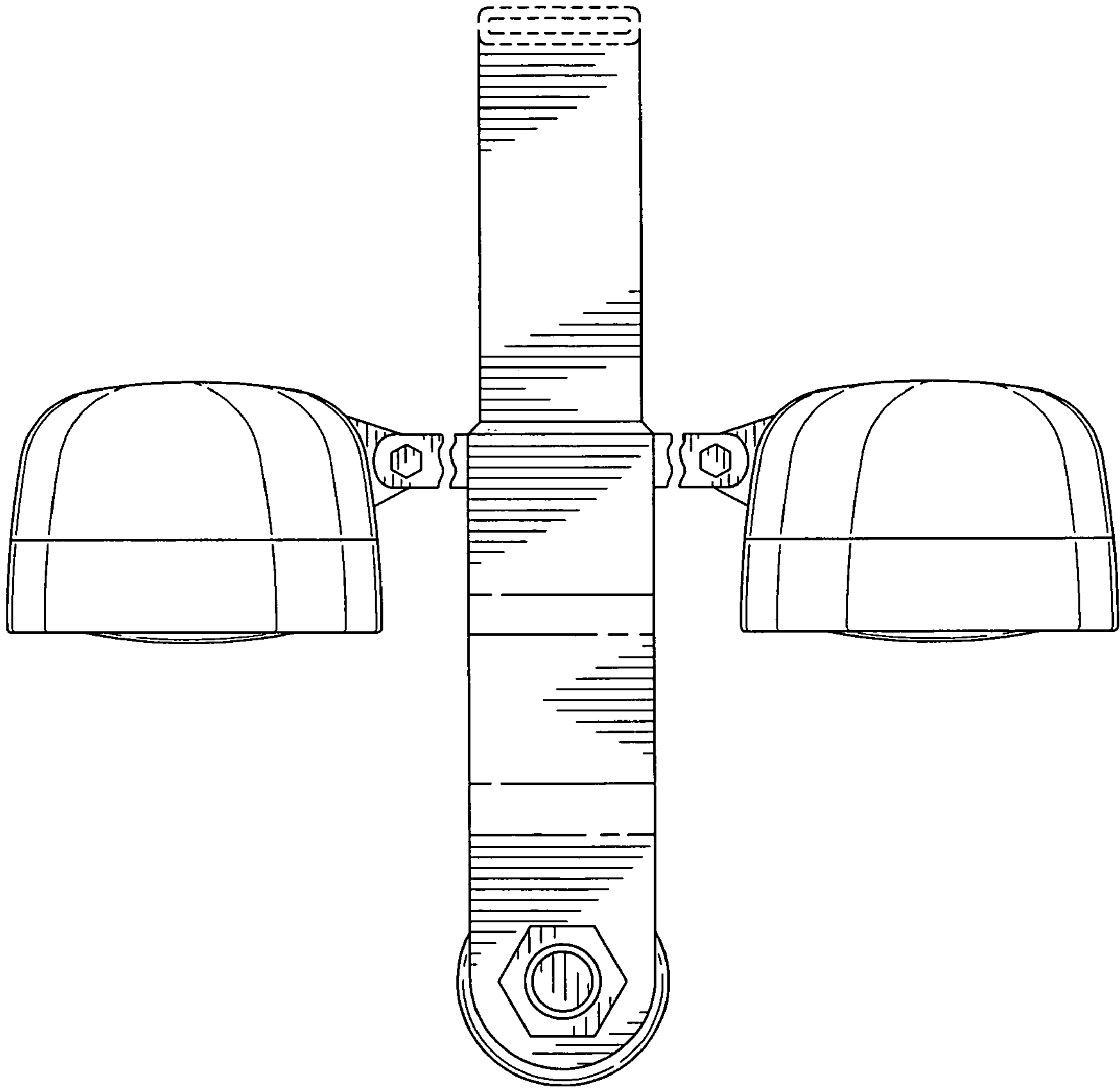


FIG. 3

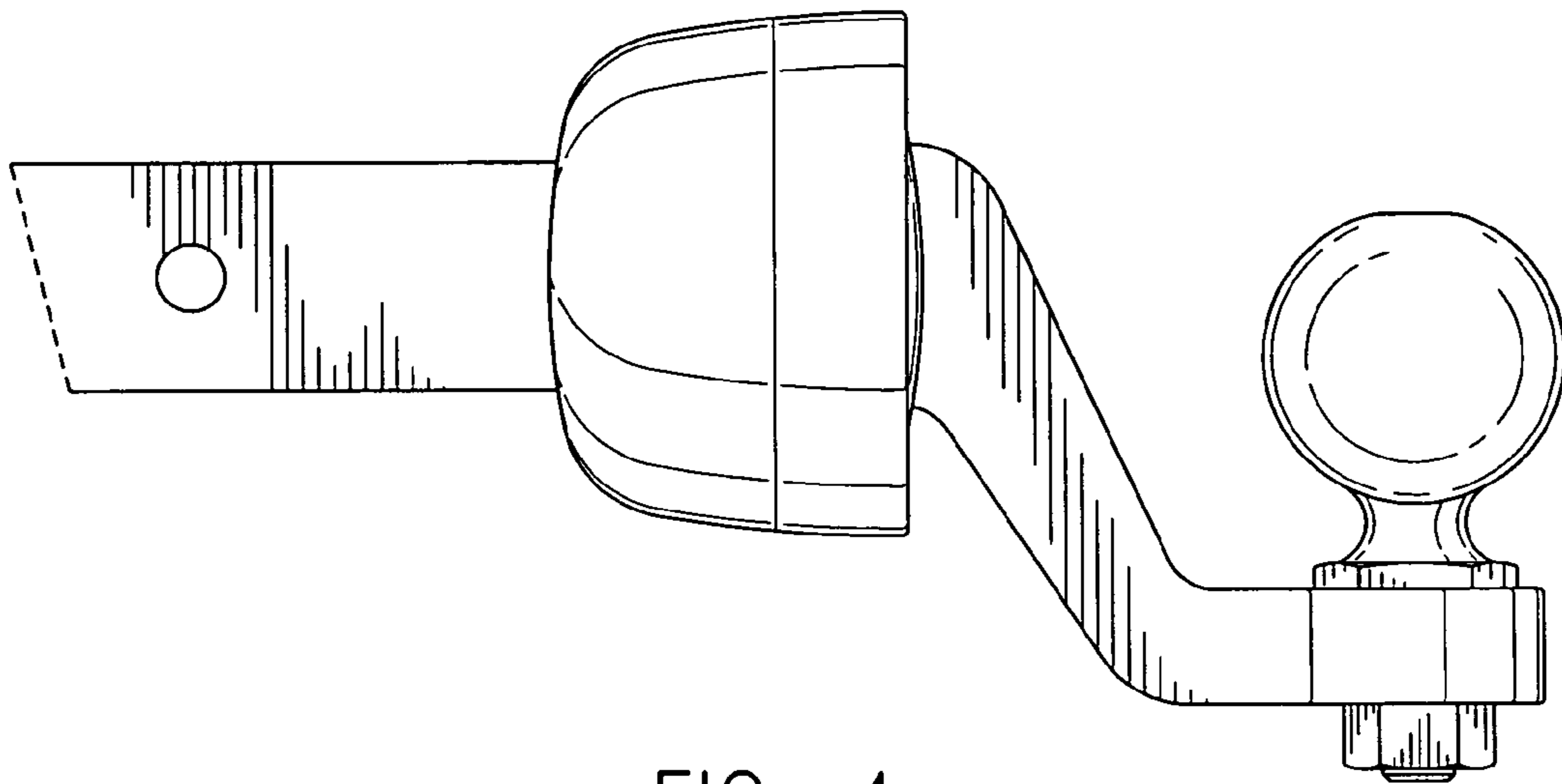


FIG. 4

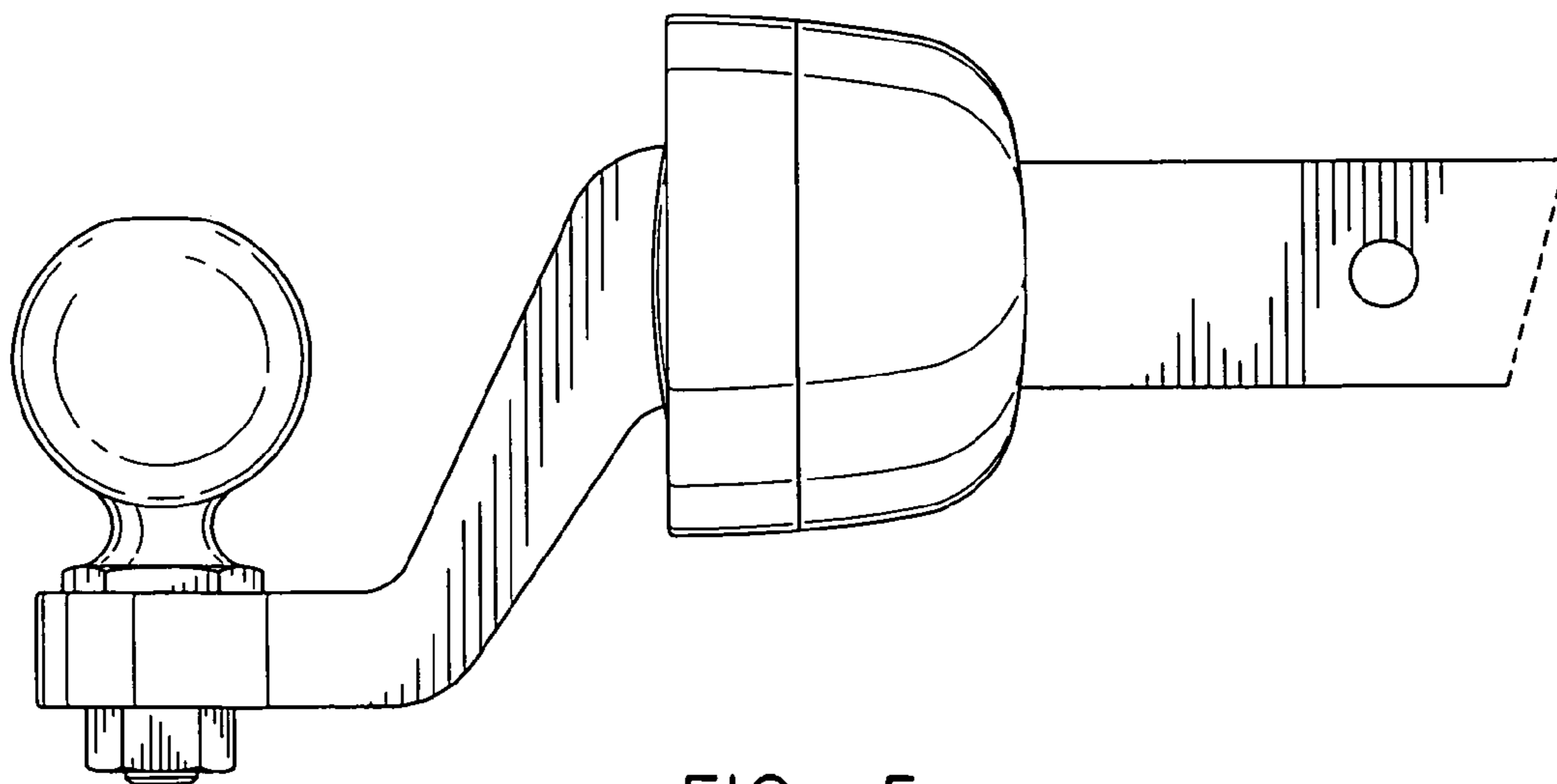


FIG. 5



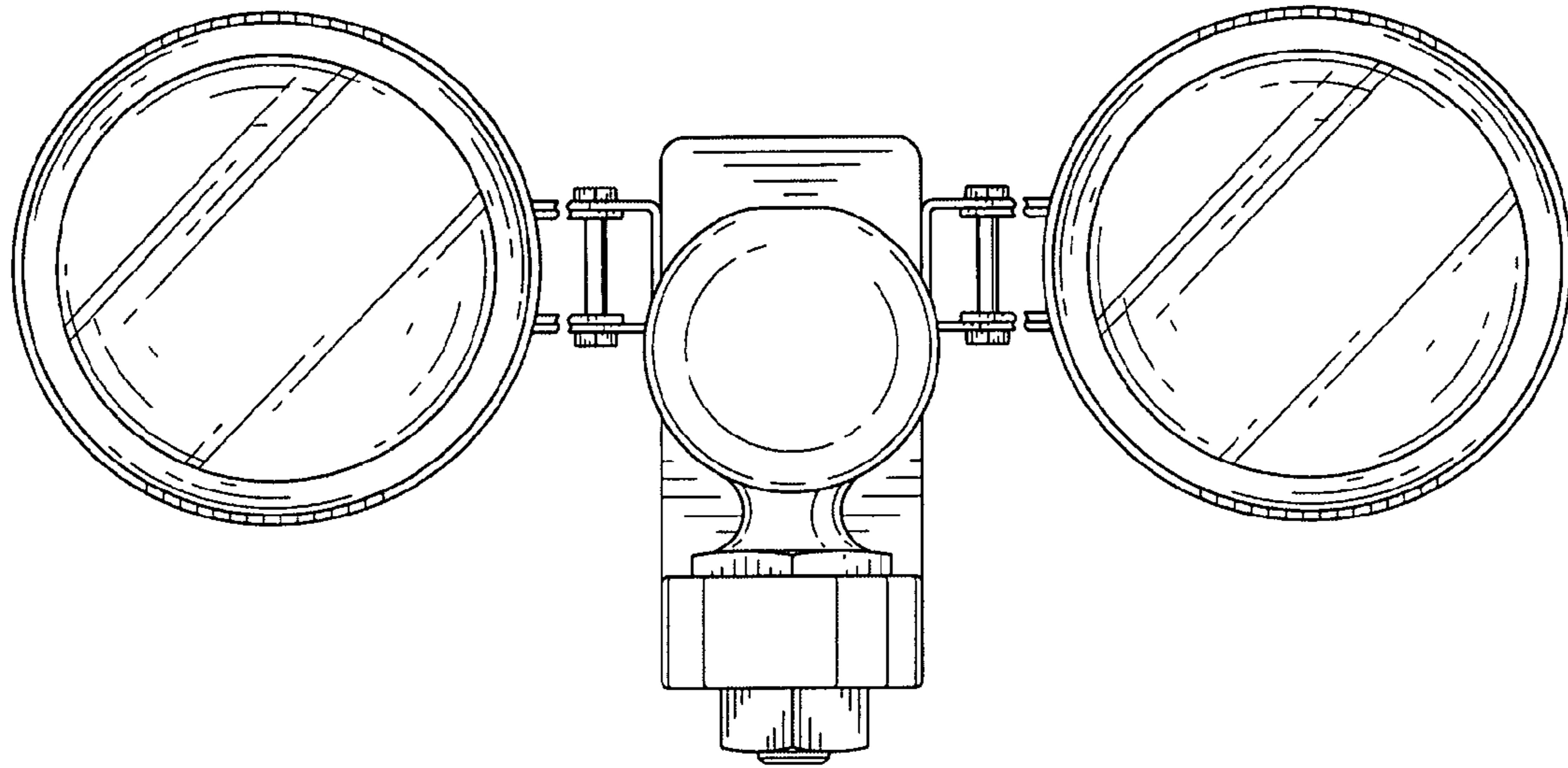


FIG. 6

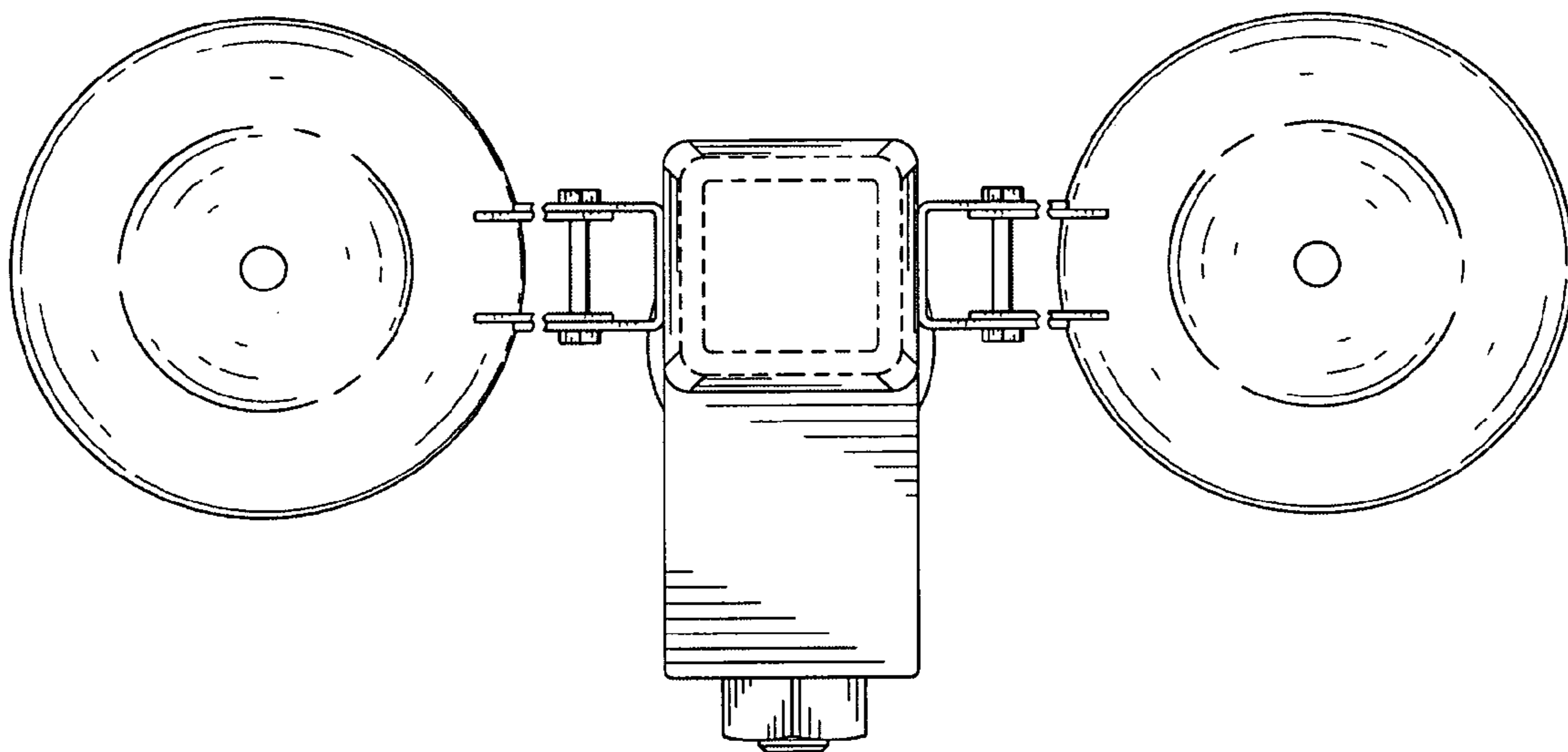


FIG. 7

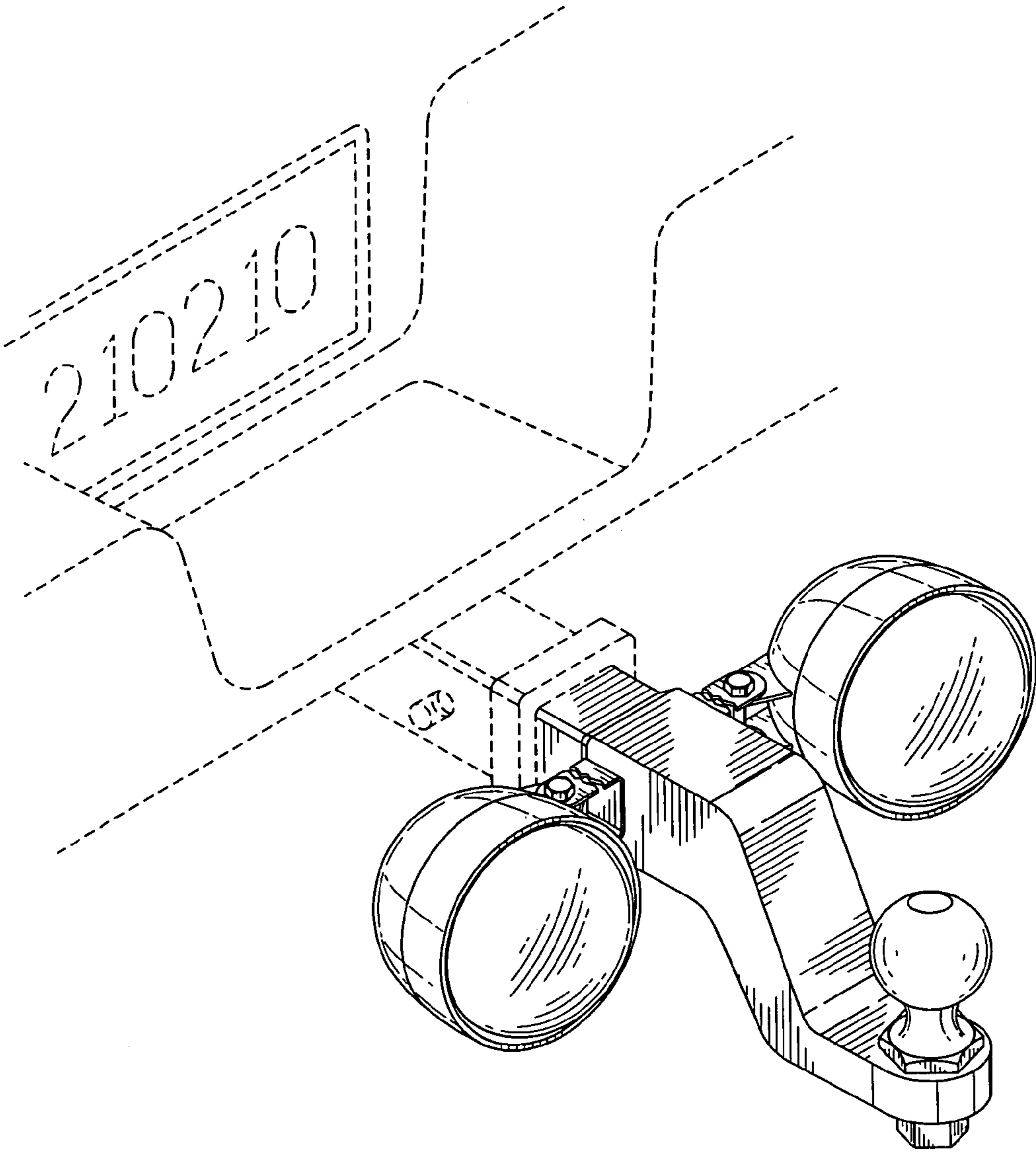


FIG. 8