



US00D585792S

(12) **United States Design Patent**
Chao et al.

(10) **Patent No.:** **US D585,792 S**
(45) **Date of Patent:** **** Feb. 3, 2009**

(54) **ALL TERRAIN VEHICLE**

(75) Inventors: **Chin-Wei Chao**, Kaohsiung (TW);
Han-Pin Tsai, Kaohsiung (TW); **Li-Ren Lin**,
Kaohsiung (TW); **Kuo-Feng Huang**, Kaohsiung (TW); **Cheng-Wei Lin**,
Kaohsiung (TW); **Nai-Yu Chen**, Kaohsiung (TW)

(73) Assignee: **Kwang Yang Motor Co., Ltd.**,
Kaohsiung (TW)

(**) Term: **14 Years**

(21) Appl. No.: **29/295,070**

(22) Filed: **Sep. 21, 2007**

(51) **LOC (9) Cl.** **12-11**

(52) **U.S. Cl.** **D12/107**

(58) **Field of Classification Search** D12/3,
D12/86, 87, 107, 110; 180/225, 229, 233,
180/311, 312, 315, 223

See application file for complete search history.

(56) **References Cited**

U.S. PATENT DOCUMENTS

D427,110 S * 6/2000 Saito et al. D12/107
D428,363 S * 7/2000 Sugimoto et al. D12/107
D429,663 S * 8/2000 Tamashima et al. D12/107

D436,559 S * 1/2001 Fujieda D12/107
D485,212 S * 1/2004 Wu D12/107
D496,308 S * 9/2004 Wu D12/107
D516,467 S * 3/2006 Wu D12/107
D520,912 S * 5/2006 Knight et al. D12/107
D529,414 S * 10/2006 Wu et al. D12/107

* cited by examiner

Primary Examiner—Ian Simmons

Assistant Examiner—Linda Brooks

(74) *Attorney, Agent, or Firm*—Leong C. Lei

(57) **CLAIM**

The ornamental design for an all terrain vehicle, as shown and described.

DESCRIPTION

FIG. 1 is a perspective view of an all terrain vehicle showing my new design;

FIG. 2 is a front elevational view thereof;

FIG. 3 is a rear elevational view thereof;

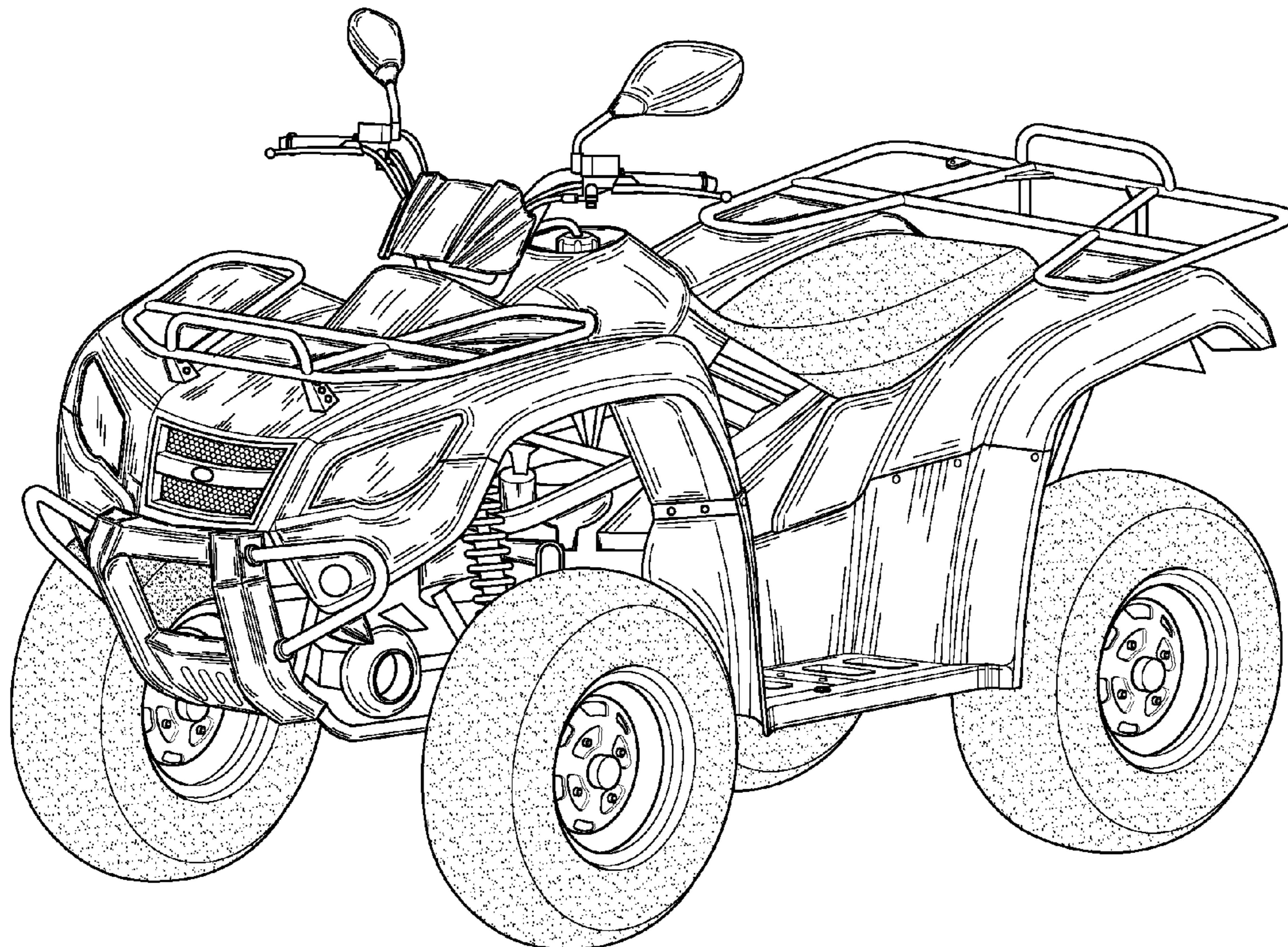
FIG. 4 is a left side elevational view thereof;

FIG. 5 is a right side elevational view thereof;

FIG. 6 is a top plan view thereof; and,

FIG. 7 is a bottom plan view thereof.

1 Claim, 6 Drawing Sheets



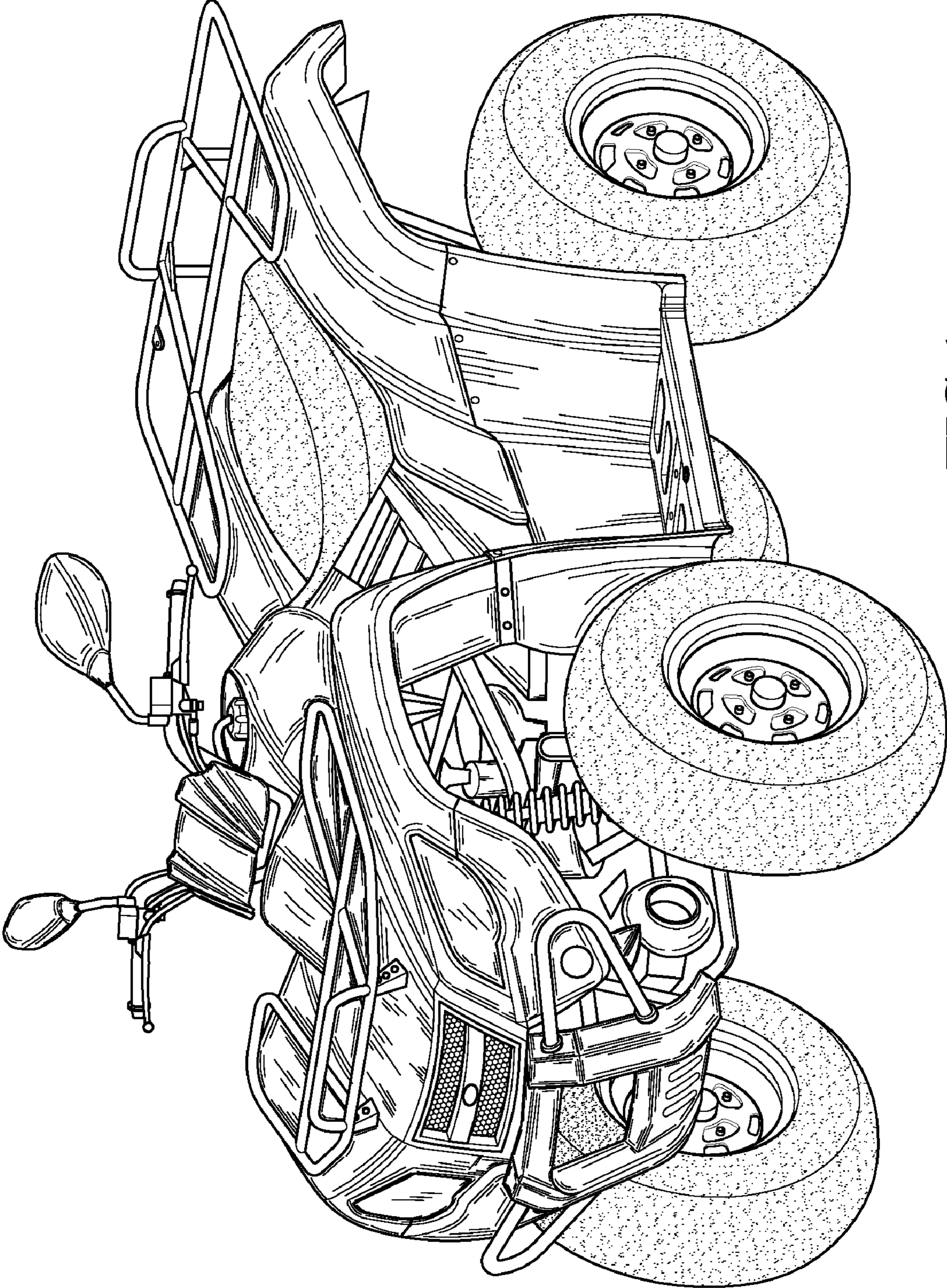


FIG.1

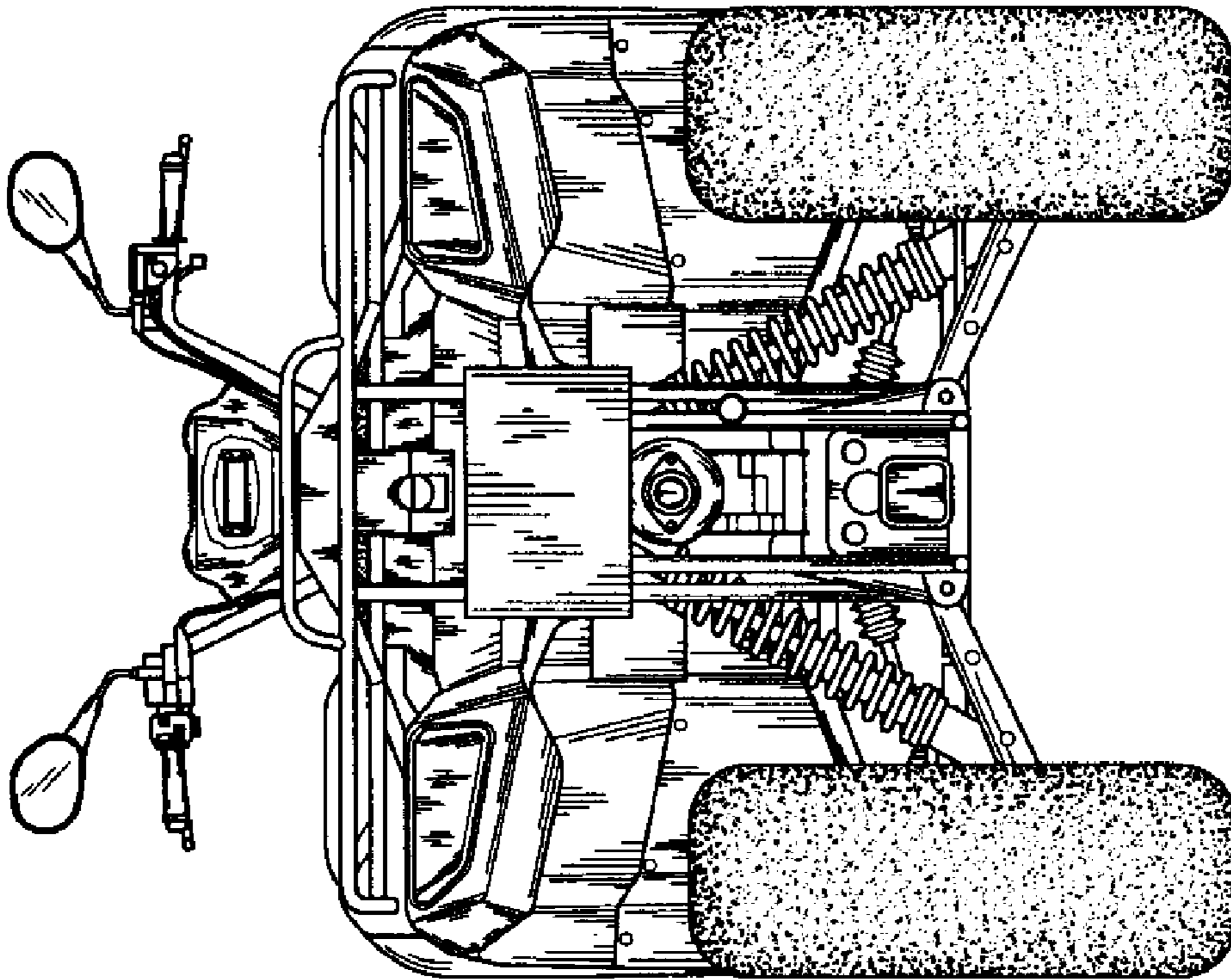


FIG.3

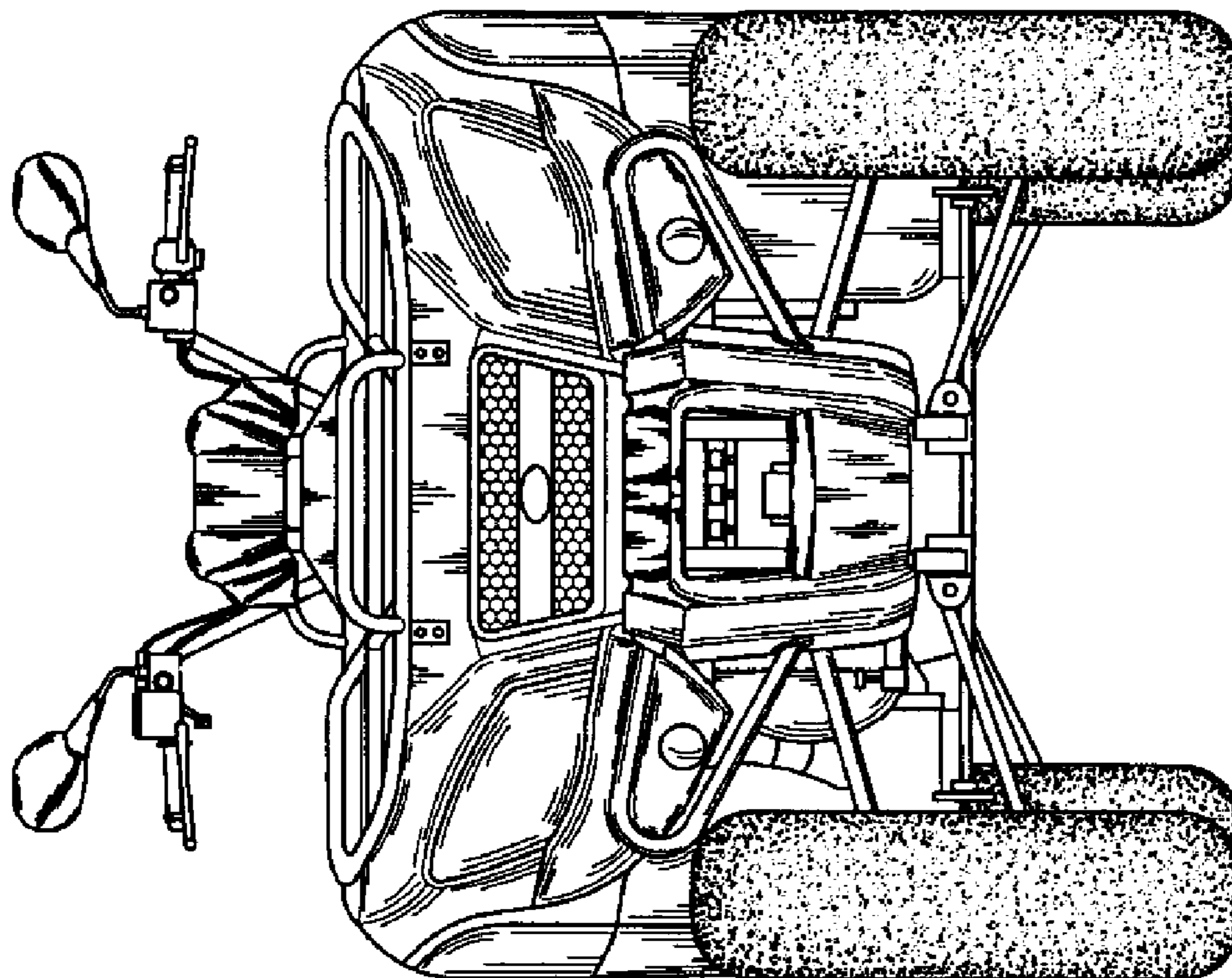


FIG.2

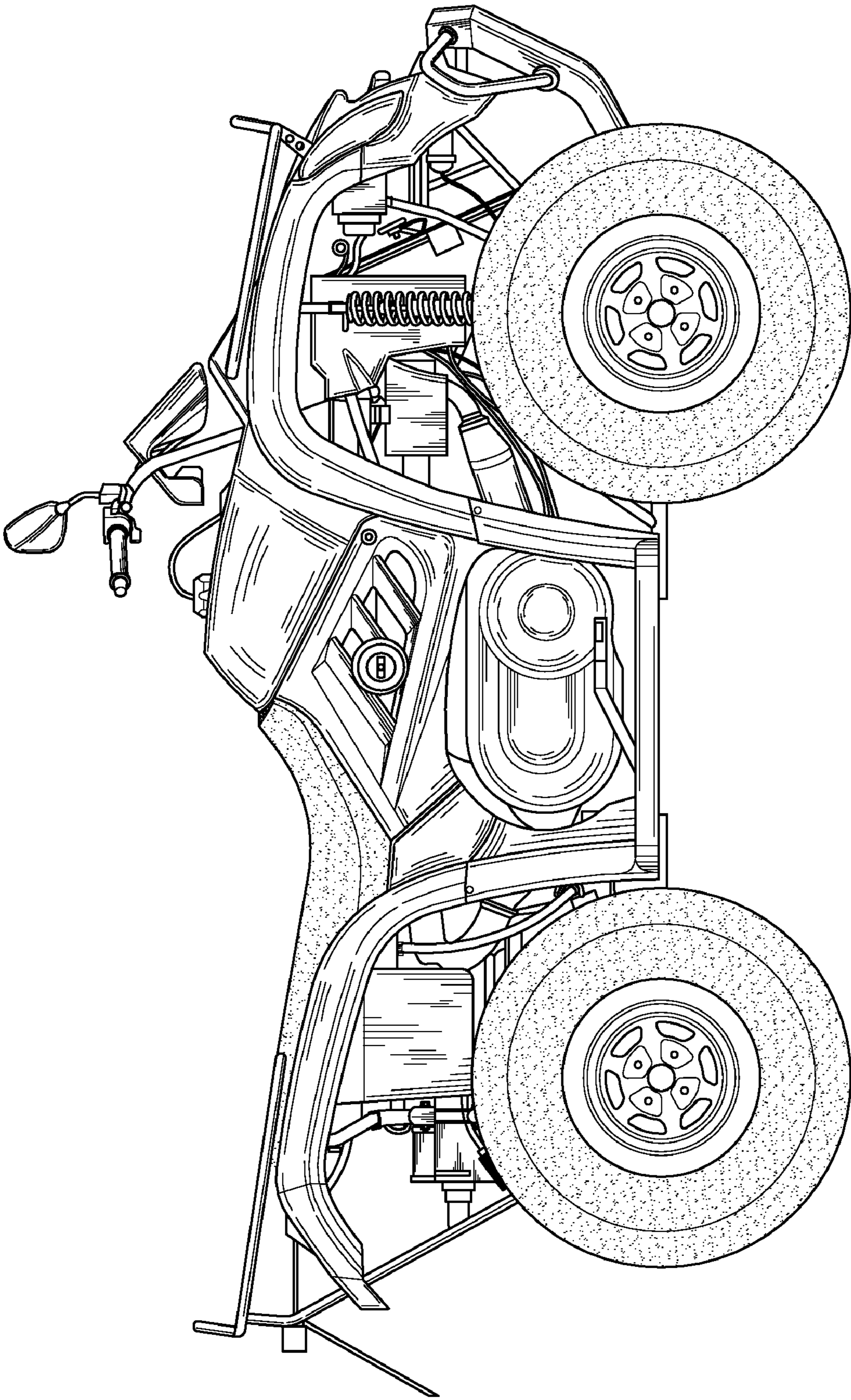


FIG.4

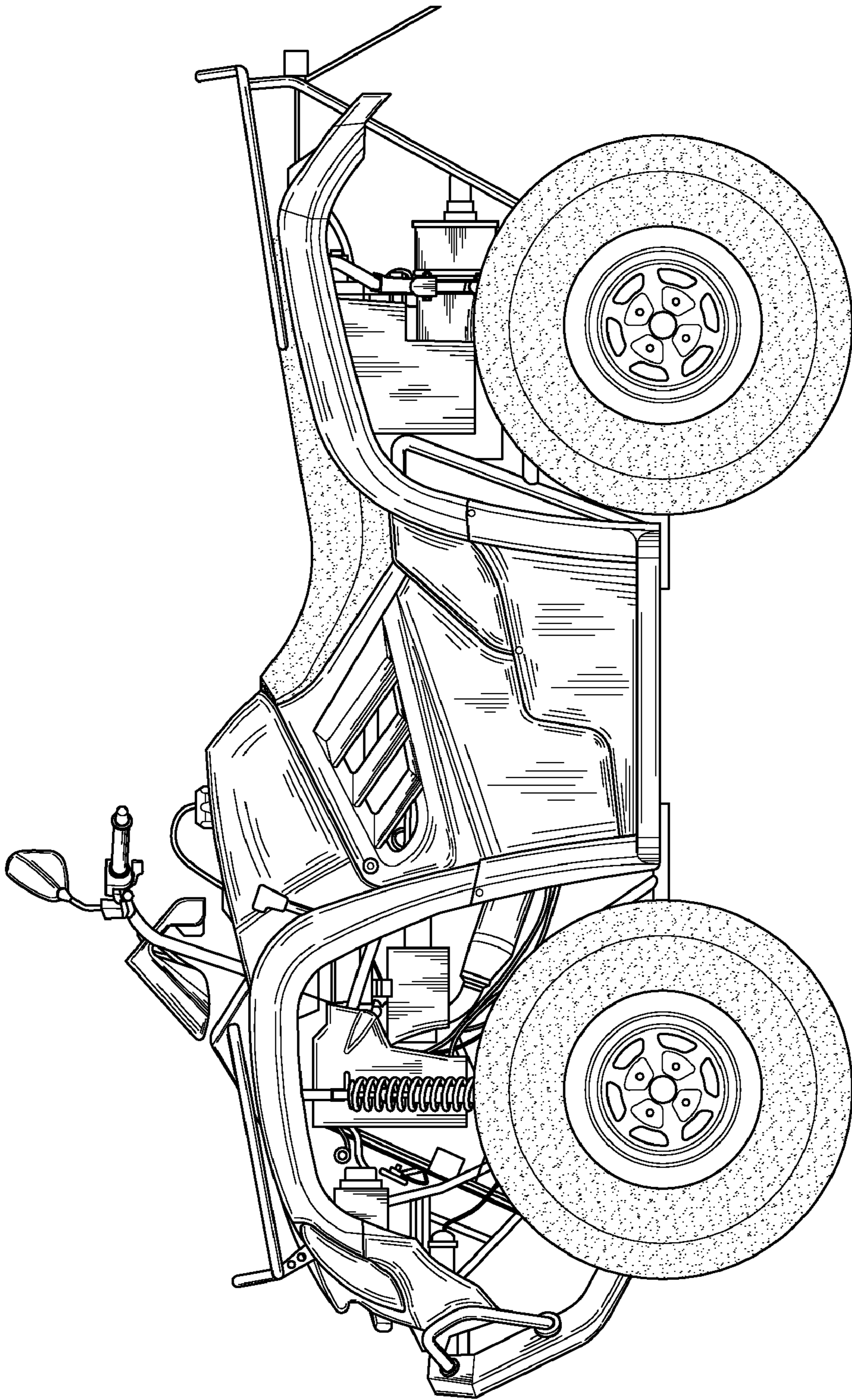


FIG.5

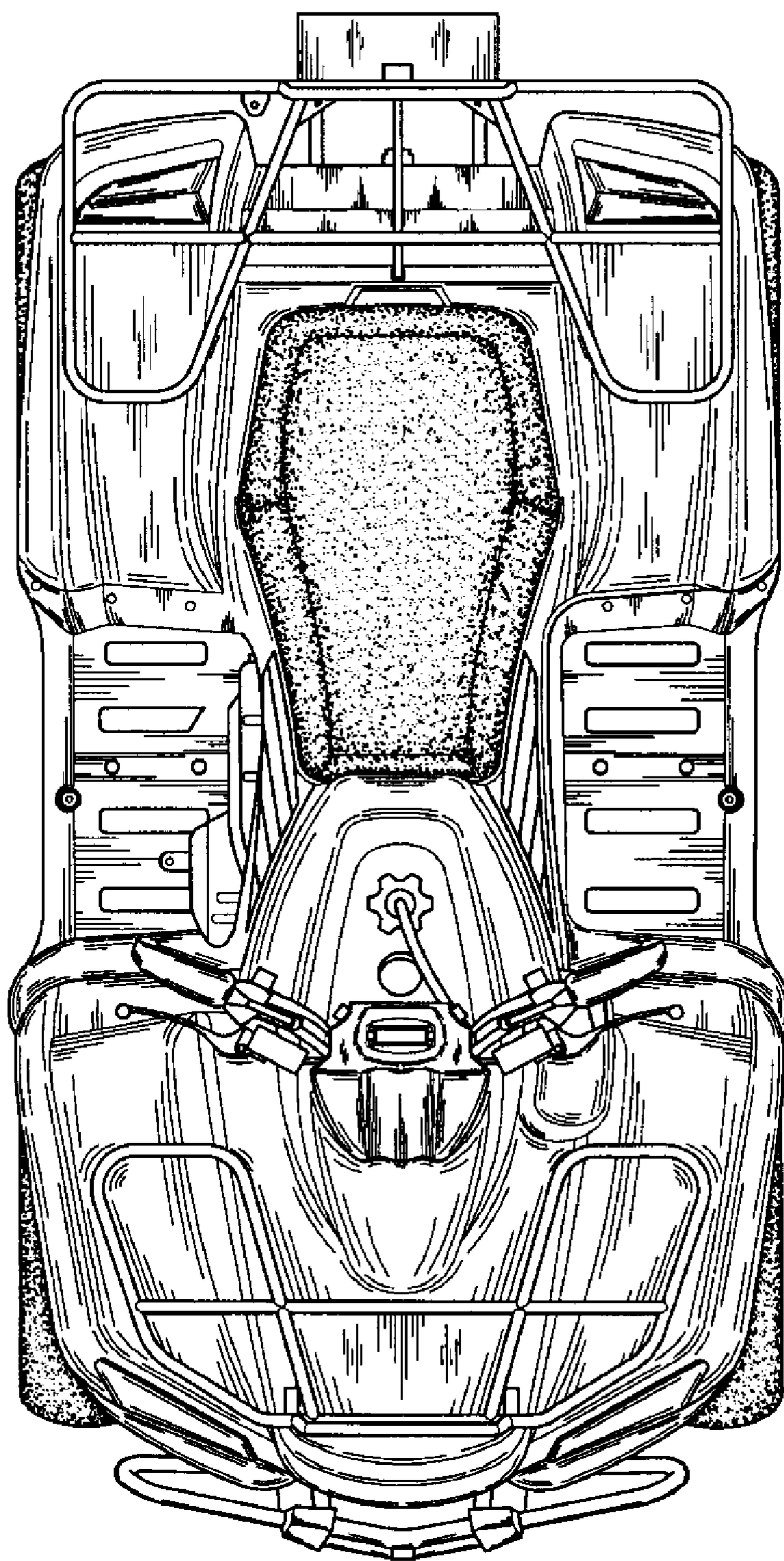


FIG.6

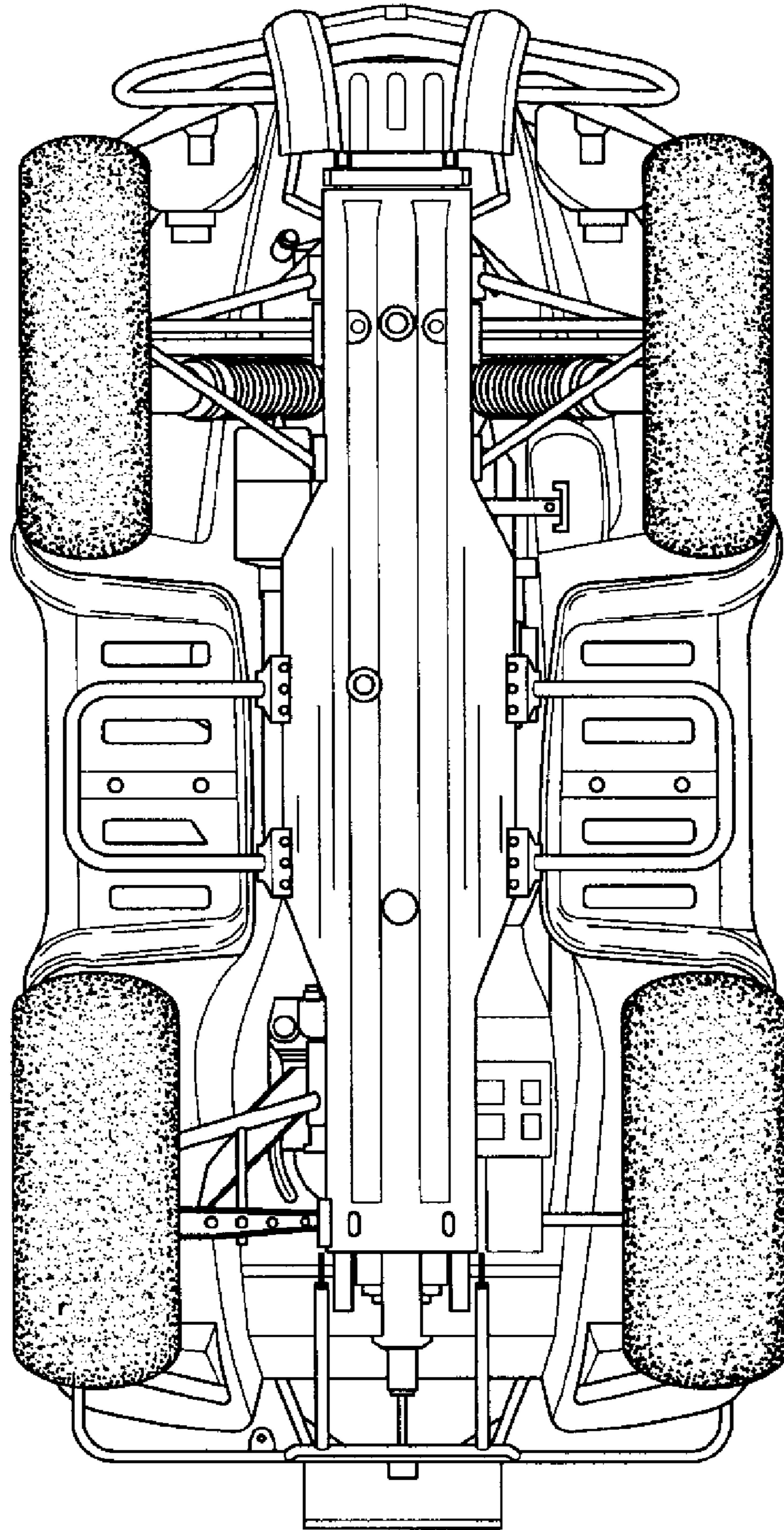


FIG.7