



US00D585777S

(12) **United States Design Patent**
Li

(10) **Patent No.:** **US D585,777 S**

(45) **Date of Patent:** **** Feb. 3, 2009**

(54) **THERMOSTAT**

(75) Inventor: **Haiqing Li**, Beijing (CN)

(73) Assignee: **Beijing Hailin Auto Control Equipment Co., Ltd.**, Beijing (CN)

(**) Term: **14 Years**

(21) Appl. No.: **29/321,801**

(22) Filed: **Jul. 24, 2008**

(30) **Foreign Application Priority Data**

Jun. 13, 2008 (CN) 2008 3 0130326

(51) **LOC (9) Cl.** **10-04**

(52) **U.S. Cl.** **D10/50**

(58) **Field of Classification Search** D10/49-50;
236/5, 46 R-46 F, 47, 49.3, 51, 84, 94; 340/7.21-7.24,
340/7.32, 825.6, 825.72, 539.1, 539.14, 539.21,
340/539.26, 426.21, 584.589, 870.17; 374/167;
400/485; 455/420, 226.1

See application file for complete search history.

(56) **References Cited**

U.S. PATENT DOCUMENTS

D553,022 S * 10/2007 McGuire et al. D10/50

D556,060 S * 11/2007 McGuire et al. D10/50

7,299,996 B2 * 11/2007 Garrett et al. 236/94

D558,073 S * 12/2007 Simon et al. D10/50

D571,675 S * 6/2008 Skaf et al. D10/50

D580,282 S * 11/2008 Bray et al. D10/50

* cited by examiner

Primary Examiner—Antoine D Davis

(57) **CLAIM**

The ornamental design for a thermostat, as shown.

DESCRIPTION

FIG. 1 is a front elevational view of a thermostat showing my new design;

FIG. 2 is a rear elevational view thereof;

FIG. 3 is a left side view thereof;

FIG. 4 is a right side view thereof;

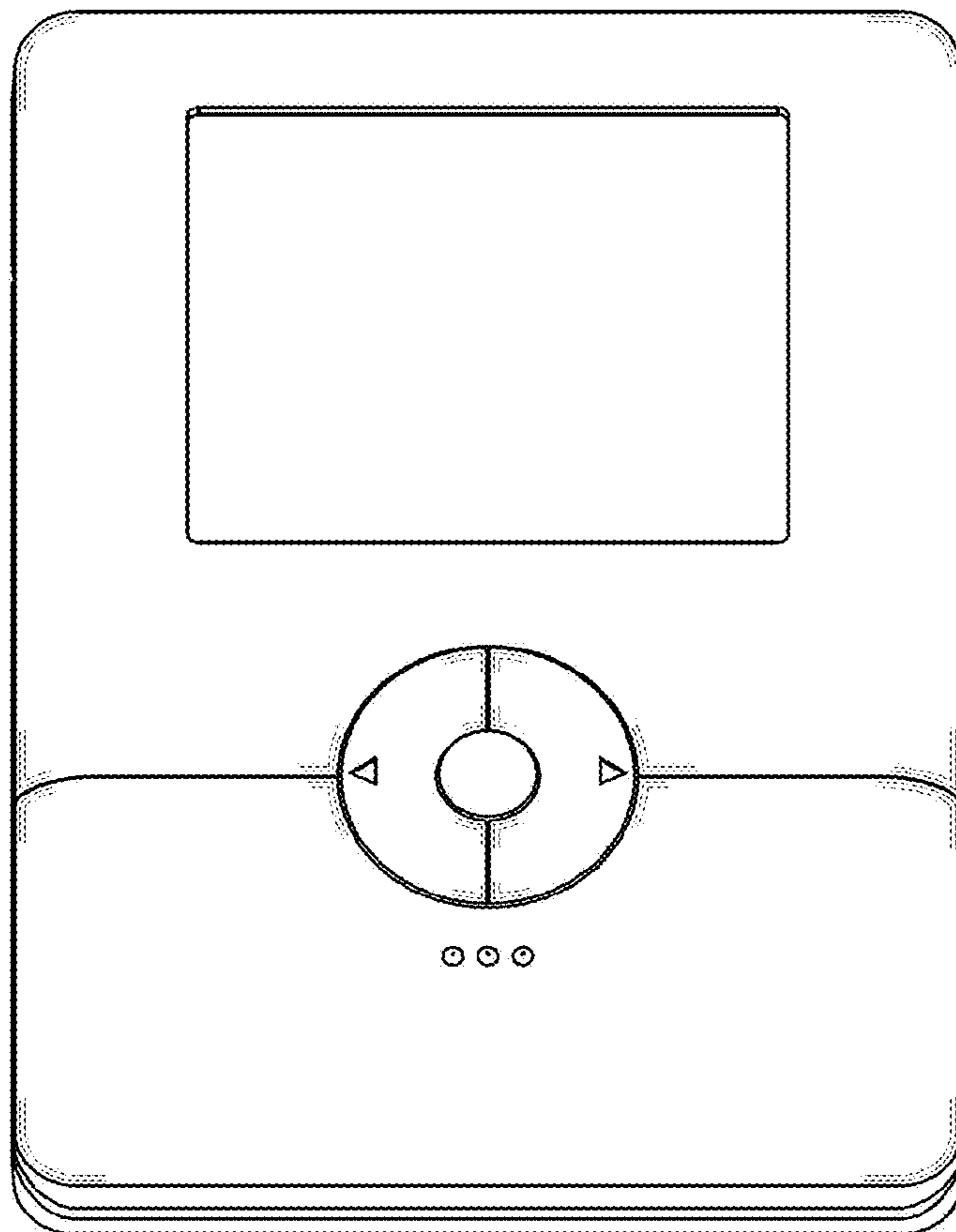
FIG. 5 is a top plan view thereof;

FIG. 6 is a bottom plan view thereof;

FIG. 7 is a perspective view thereof; and,

FIG. 8 is another perspective view thereof.

1 Claim, 7 Drawing Sheets



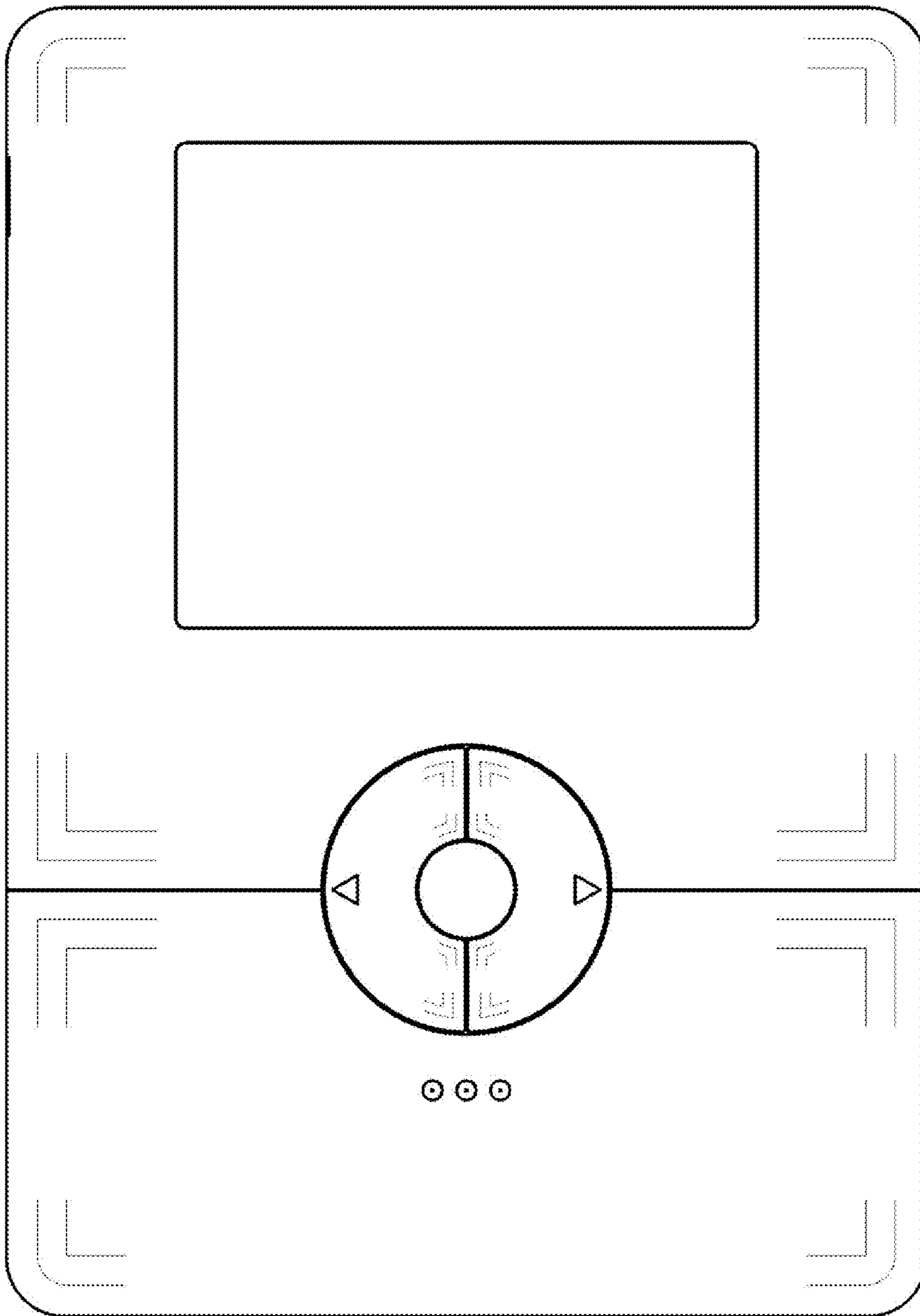


FIG. 1

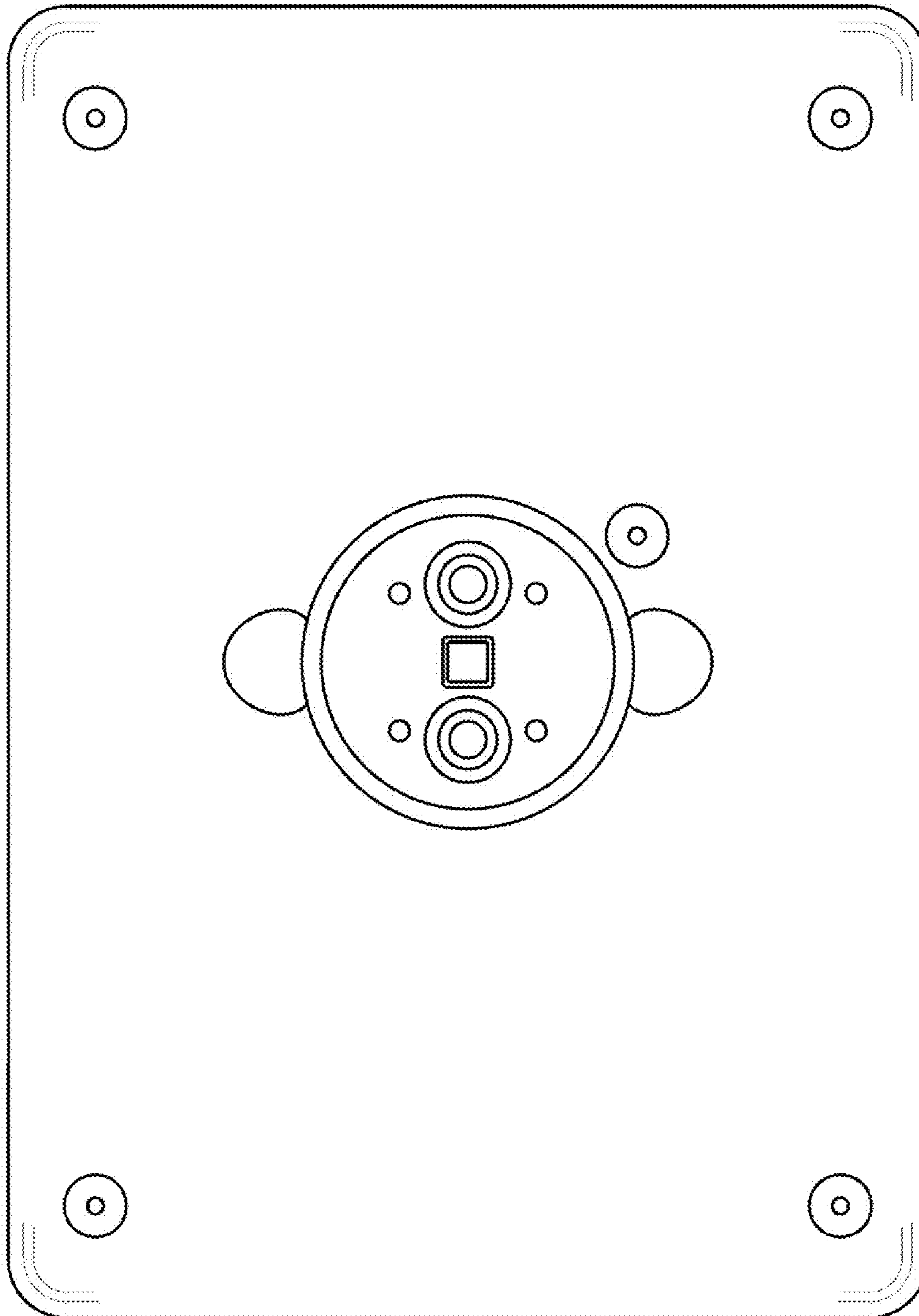


FIG. 2

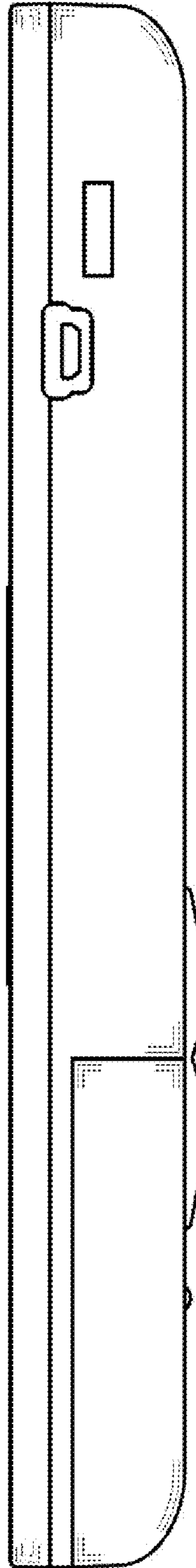


FIG. 3

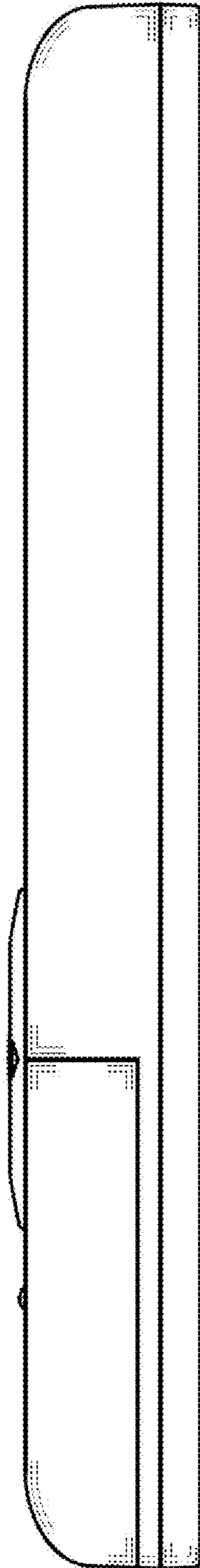


FIG. 4



FIG. 5

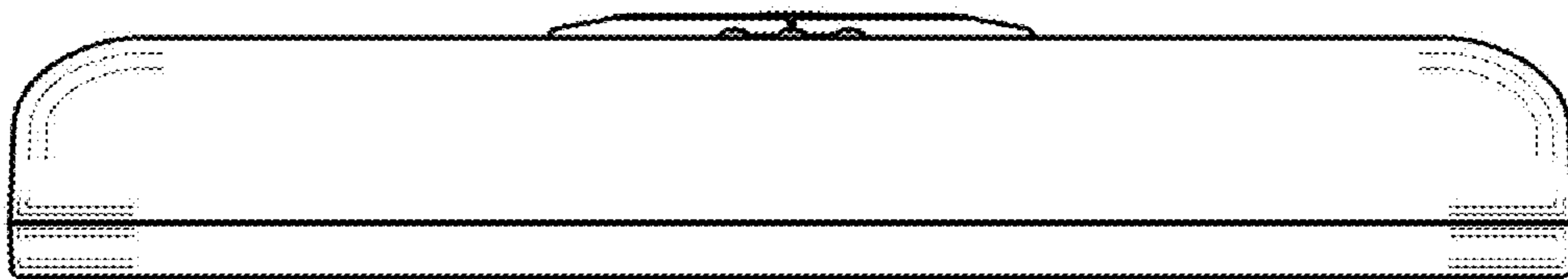


FIG. 6

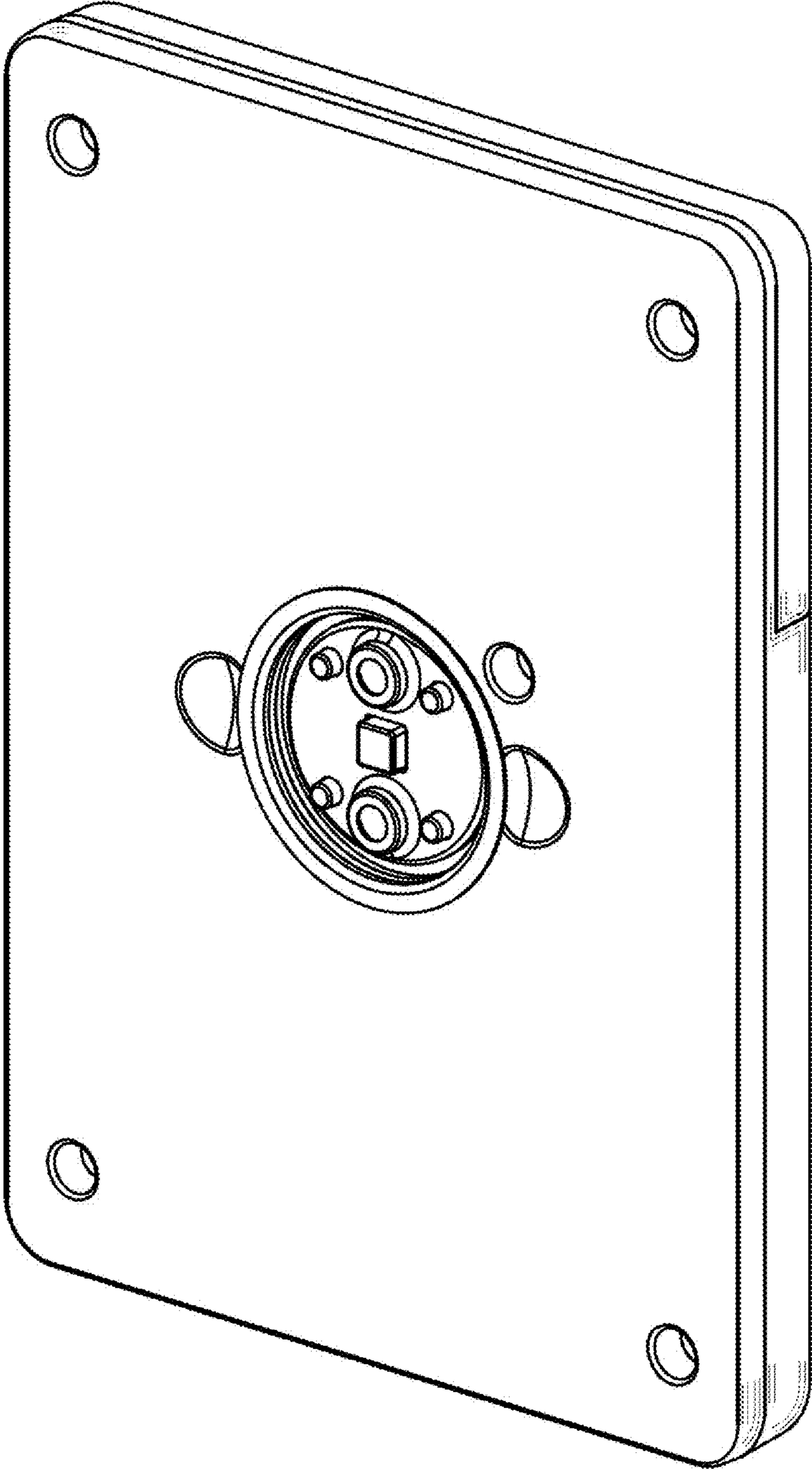


FIG. 7

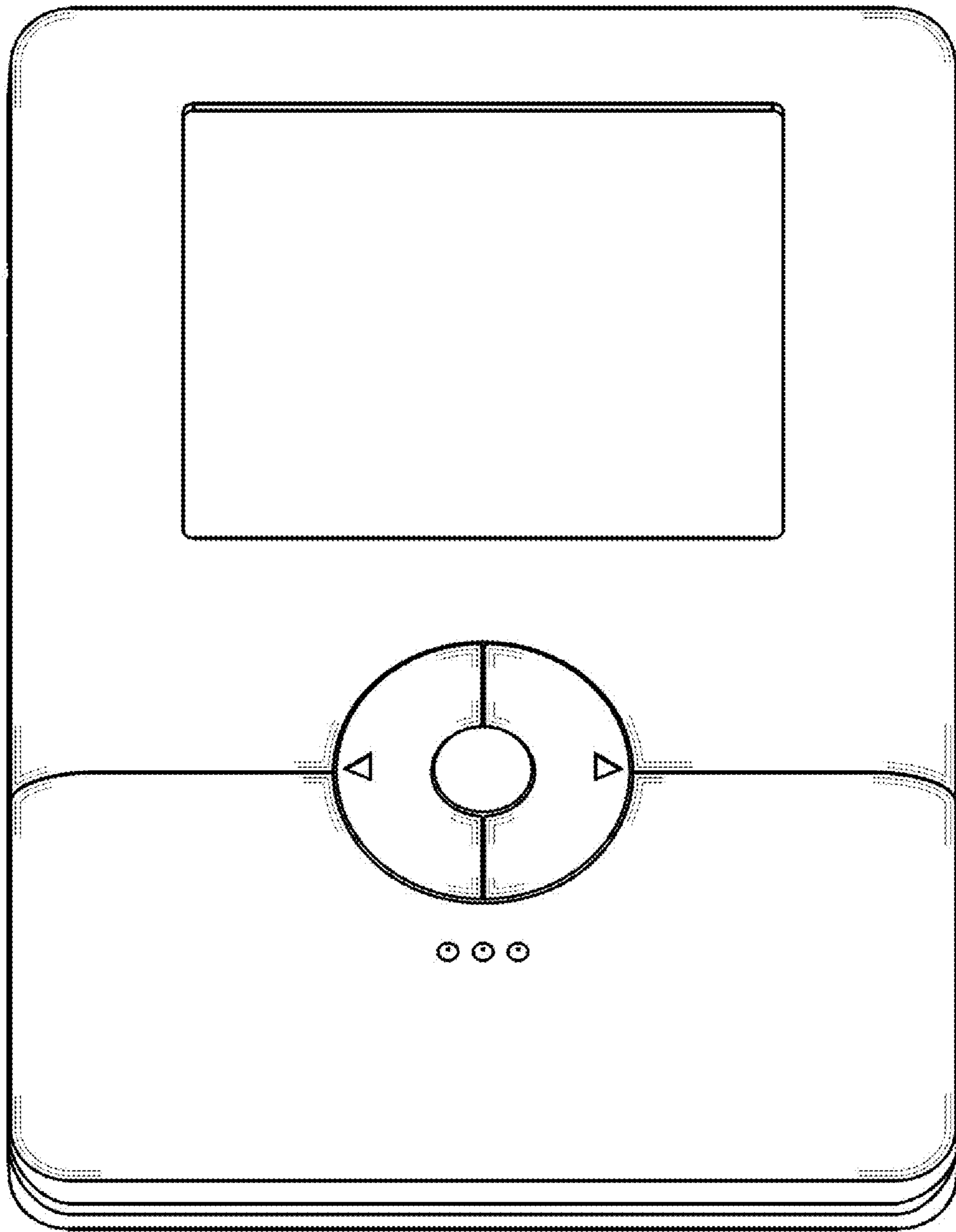


FIG. 8