



US00D585770S

(12) **United States Design Patent**  
**Belamich**

(10) **Patent No.:** **US D585,770 S**

(45) **Date of Patent:** **\*\* Feb. 3, 2009**

(54) **WATCH**

(75) Inventor: **Bruno Belamich**, Paris (FR)

(73) Assignee: **Bell & Ross B.V.** (NL)

(\*\*) Term: **14 Years**

(21) Appl. No.: **29/325,130**

(22) Filed: **Sep. 25, 2008**

(51) **LOC (9) Cl.** ..... **10-02**

(52) **U.S. Cl.** ..... **D10/39**

(58) **Field of Classification Search** ..... D10/30-39,  
D10/122-132; 368/276, 281, 282, 285, 80,  
368/223, 232, 228, 28, 21

See application file for complete search history.

(56) **References Cited**

**U.S. PATENT DOCUMENTS**

2,232,300	A	*	2/1941	Arbey	.....	368/228
D202,061	S	*	8/1965	Montese-Caruso	.....	D10/38
3,395,531	A	*	8/1968	Caprara	.....	368/291
4,218,873	A	*	8/1980	Lang	.....	368/281
D317,871	S	*	7/1991	Applegate, Jr.	.....	D10/30
5,119,349	A	*	6/1992	Muto et al.	.....	368/157
D338,161	S	*	8/1993	Kizaki	.....	D10/39
D384,294	S	*	9/1997	Woo et al.	.....	D10/30
D386,698	S	*	11/1997	Giardiello	.....	D10/39
D448,682	S	*	10/2001	Sato	.....	D10/39
D473,802	S	*	4/2003	Berliat	.....	D10/39
6,587,400	B1	*	7/2003	Line	.....	368/88
D504,333	S	*	4/2005	Arabov	.....	D10/39
D508,860	S	*	8/2005	Plan	.....	D10/39
D519,389	S	*	4/2006	Takahashi	.....	D10/32
D524,171	S	*	7/2006	Monachon	.....	D10/32

D531,524	S	*	11/2006	Behling	.....	D10/38
D531,916	S	*	11/2006	Galli	.....	D10/31
D537,371	S	*	2/2007	Belamich	.....	D10/39
D538,181	S	*	3/2007	Sugiura	.....	D10/31
D547,205	S	*	7/2007	Giroud	.....	D10/31
D557,618	S	*	12/2007	El Kadiri	.....	D10/31
D562,155	S	*	2/2008	Giroud	.....	D10/31
D577,611	S	*	9/2008	Lalo	.....	D10/32
D578,412	S	*	10/2008	Belamich	.....	D10/39

\* cited by examiner

*Primary Examiner*—Lucy Lieberman

(74) *Attorney, Agent, or Firm*—Jeffer Mangels Butler & Marmaro, LLP

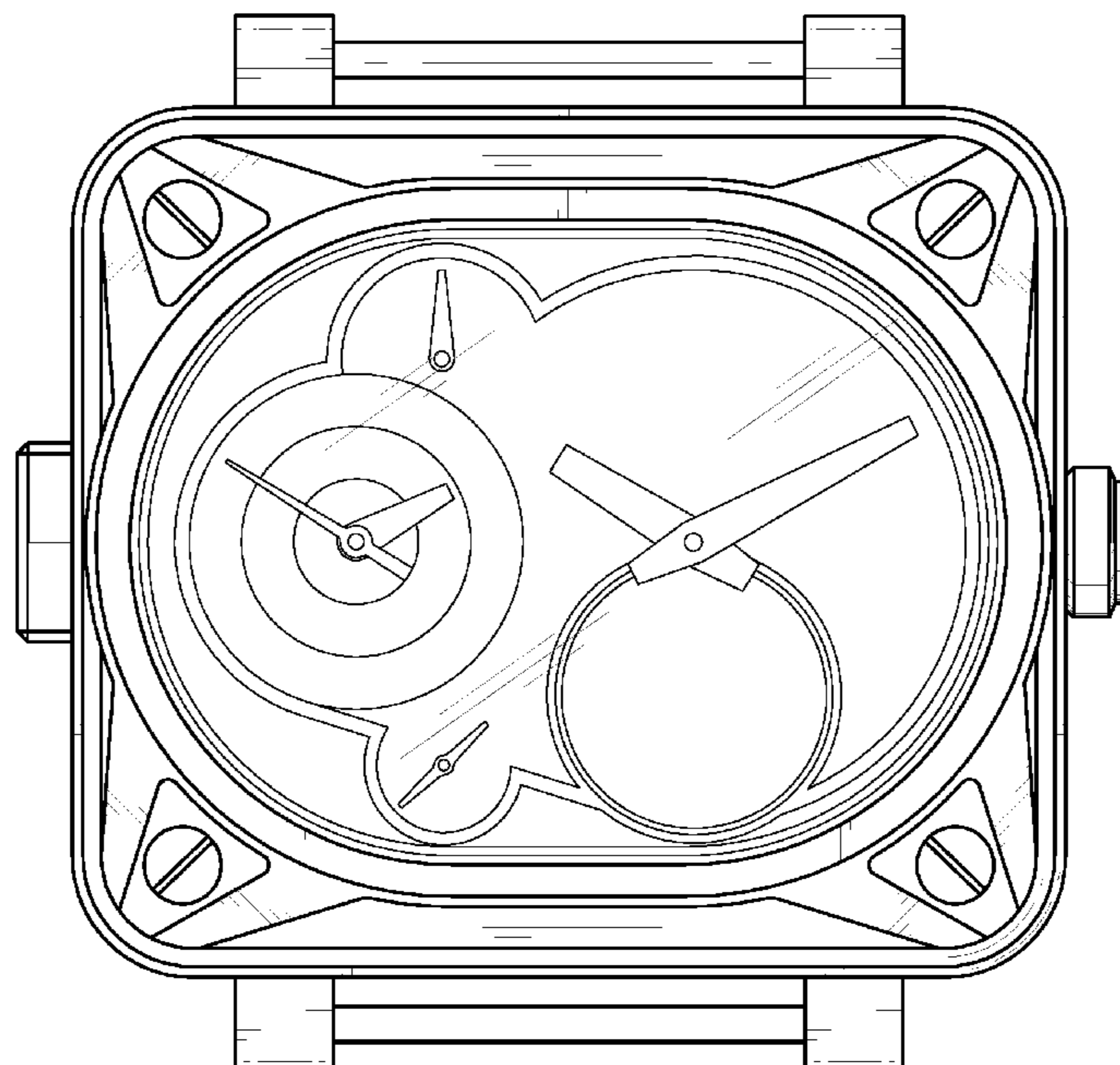
(57) **CLAIM**

The ornamental design for a watch, as shown and described.

**DESCRIPTION**

FIG. 1 is a perspective view of the present invention;  
 FIG. 2 is a front elevational view of the present invention shown in FIG. 1;  
 FIG. 3 is a left side elevational view of the present invention shown in FIG. 1;  
 FIG. 4 is a right side elevational view of the present invention shown in FIG. 1;  
 FIG. 5 is a top plan view of the present invention shown in FIG. 1;  
 FIG. 6 is a bottom plan view of the present invention shown in FIG. 1; and,  
 FIG. 7 is a rear elevational view of the present invention shown in FIG. 1.

**1 Claim, 5 Drawing Sheets**



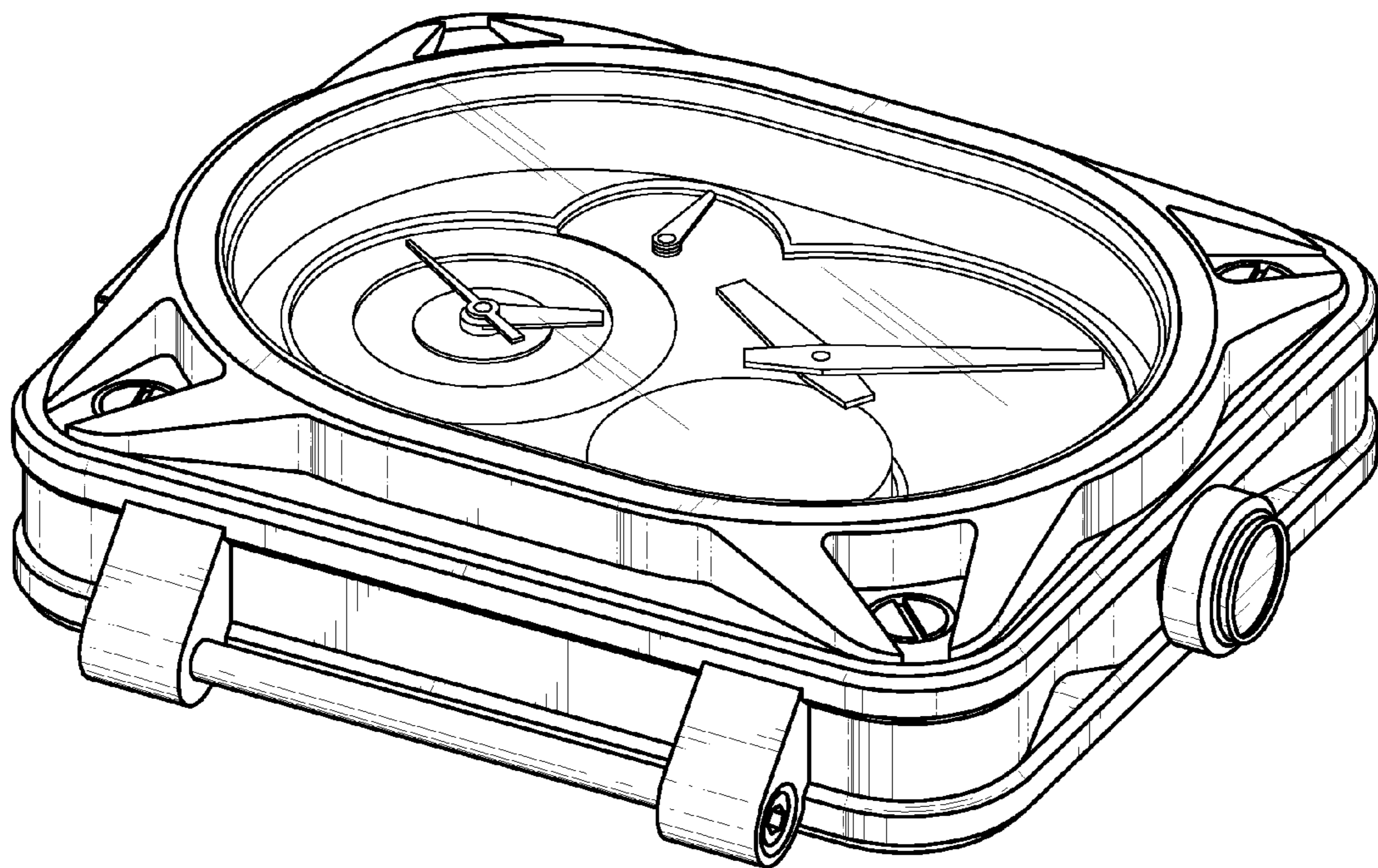


FIG. 1

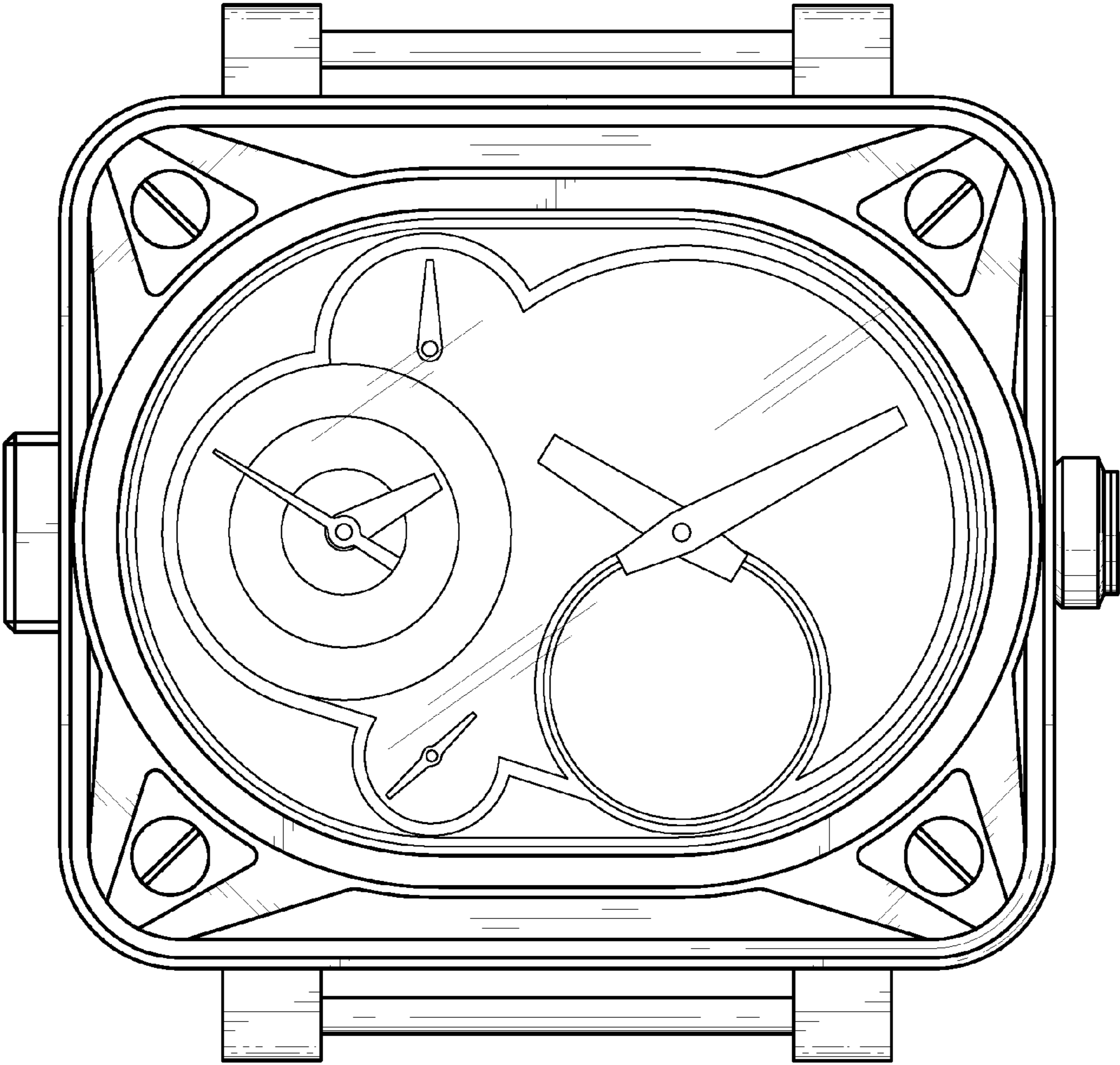


FIG. 2

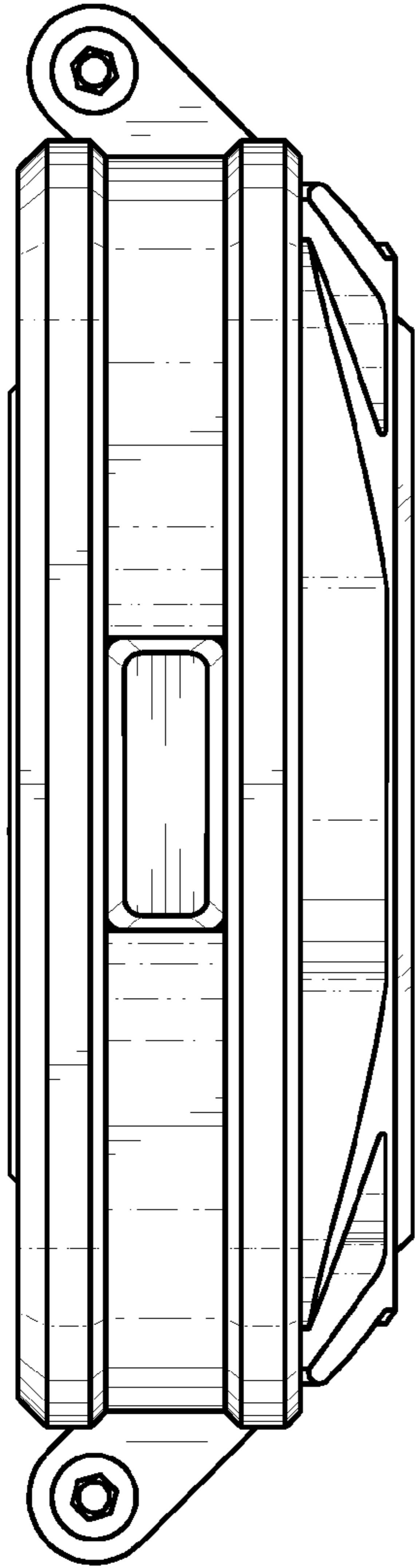


FIG. 3

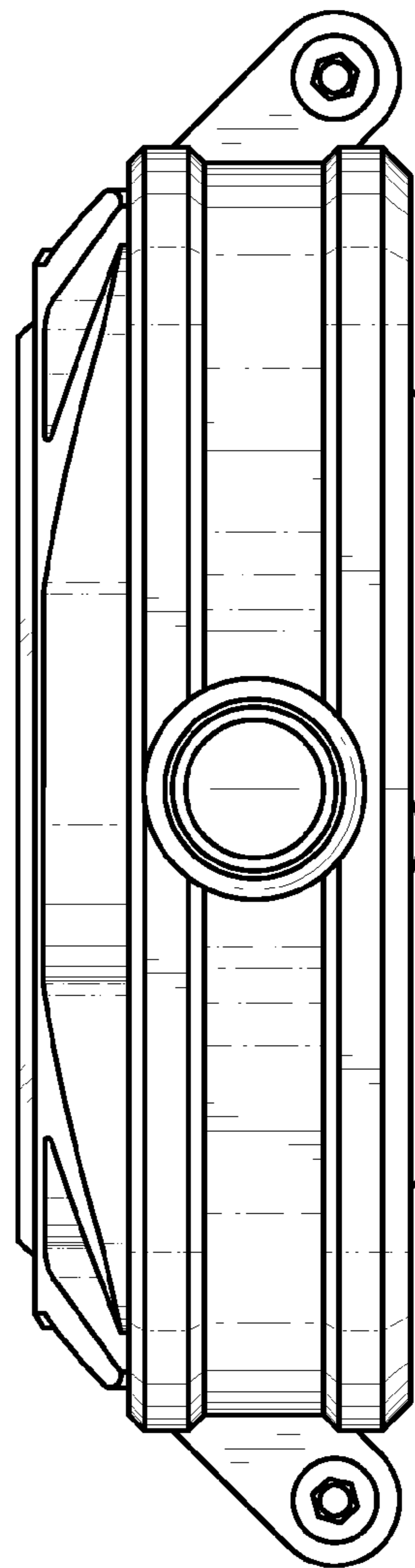
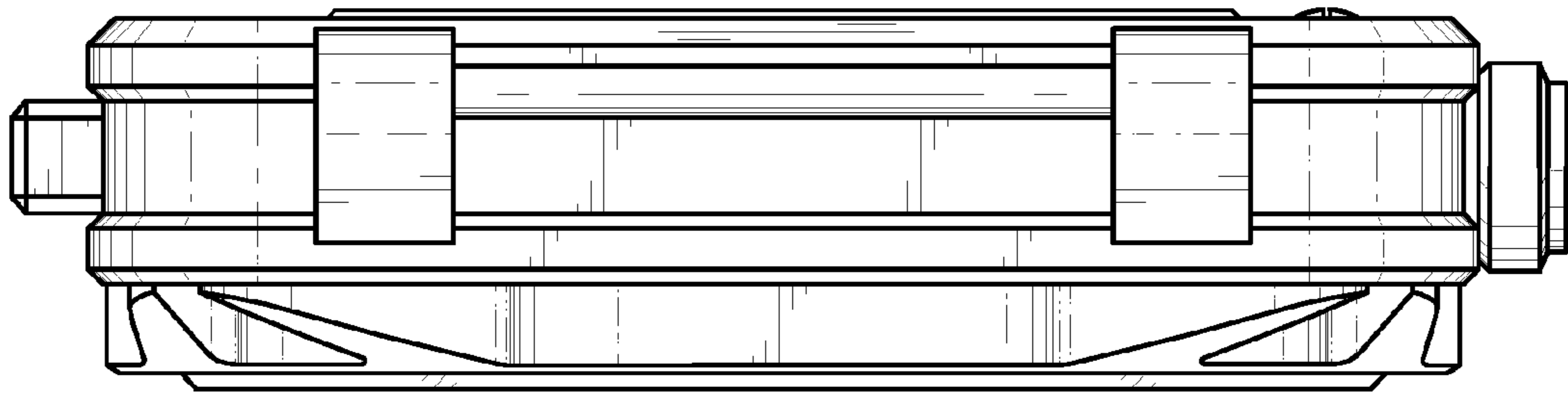
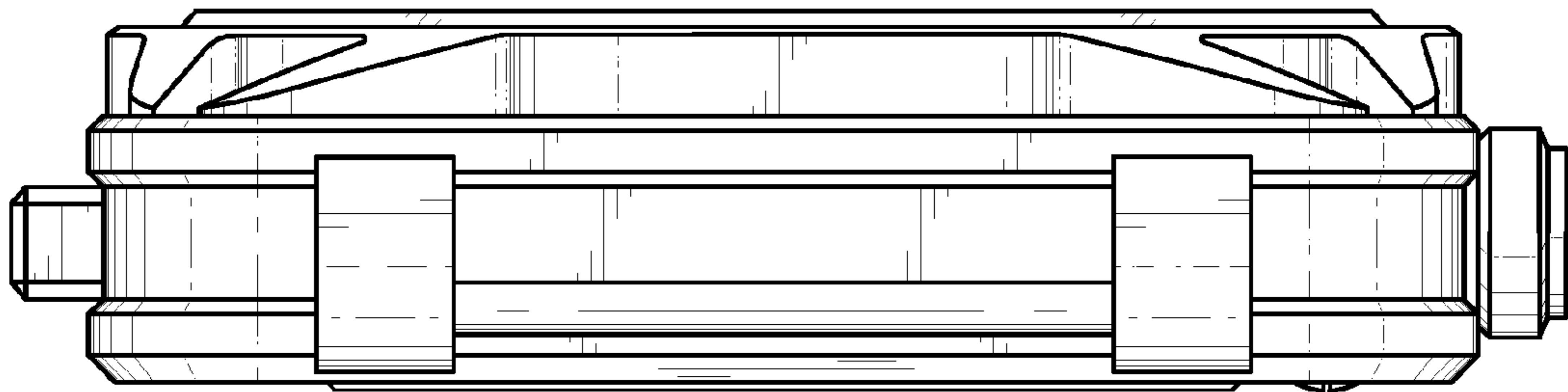


FIG. 4



*FIG. 5*



*FIG. 6*

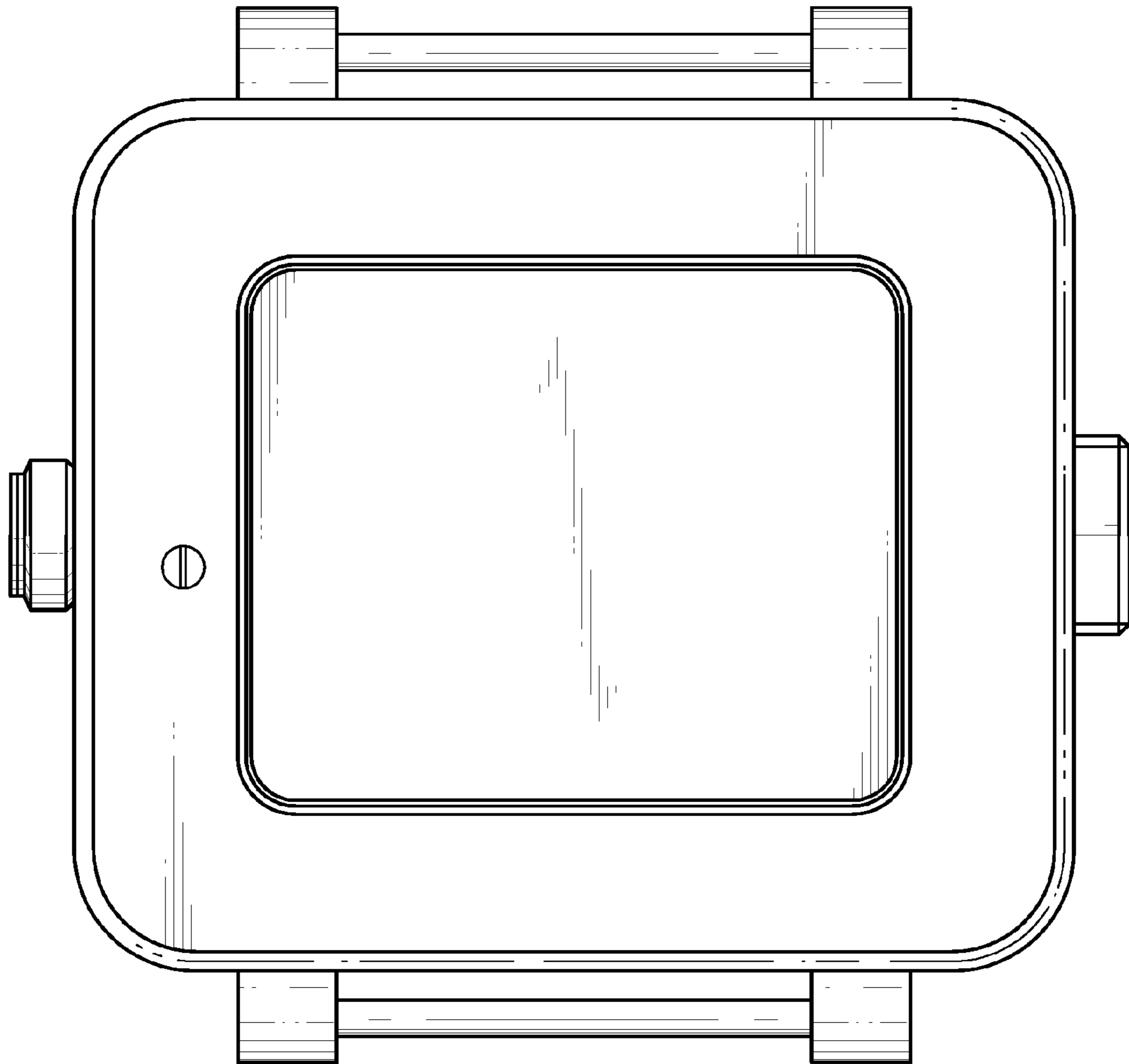


FIG. 7