



US00D585769S

(12) **United States Design Patent**
Belamich

(10) **Patent No.:** **US D585,769 S**

(45) **Date of Patent:** **** Feb. 3, 2009**

(54) **WATCH**

(75) **Inventor:** **Bruno Belamich, Paris (FR)**

(73) **Assignee:** **Bell & Ross B.V. (NL)**

(**) **Term:** **14 Years**

(21) **Appl. No.:** **29/325,116**

(22) **Filed:** **Sep. 25, 2008**

(51) **LOC (9) Cl.** **10-02**

(52) **U.S. Cl.** **D10/39**

(58) **Field of Classification Search** D10/30-39,
D10/122-132; 368/276, 281, 282, 285, 80,
368/223, 232, 228, 28, 21

See application file for complete search history.

(56) **References Cited**

U.S. PATENT DOCUMENTS

2,232,300	A	*	2/1941	Arbey	368/228
D202,061	S	*	8/1965	Montese-Caruso	D10/38
3,395,531	A	*	8/1968	Caprara	368/291
4,218,873	A	*	8/1980	Lang	368/281
D317,871	S	*	7/1991	Applegate, Jr.	D10/30
5,119,349	A	*	6/1992	Muto et al.	368/157
D338,161	S	*	8/1993	Kizaki	D10/39
D384,294	S	*	9/1997	Woo et al.	D10/30
D386,698	S	*	11/1997	Giardiello	D10/39
D448,682	S	*	10/2001	Sato	D10/39
D472,819	S	*	4/2003	Streltsov	D10/30
D473,802	S	*	4/2003	Berliat	D10/39
6,587,400	B1	*	7/2003	Line	368/88
D504,333	S	*	4/2005	Arabov	D10/39
D508,860	S	*	8/2005	Plan	D10/39
D513,196	S	*	12/2005	Lazaretnik	D10/39
D519,389	S	*	4/2006	Takahashi	D10/32
D524,171	S	*	7/2006	Monachon	D10/32

7,120,093	B2	*	10/2006	Lazaretnik	368/80
D531,524	S	*	11/2006	Behling	D10/38
D531,916	S	*	11/2006	Galli	D10/31
D537,371	S	*	2/2007	Belamich	D10/39
D538,181	S	*	3/2007	Sugiura	D10/31
D547,205	S	*	7/2007	Giroud	D10/31
D557,618	S	*	12/2007	El Kadiri	D10/31
D562,155	S	*	2/2008	Giroud	D10/31
D577,611	S	*	9/2008	Lalo	D10/32
D578,412	S	*	10/2008	Belamich	D10/39

* cited by examiner

Primary Examiner—Lucy Lieberman

(74) *Attorney, Agent, or Firm*—Jeffer Mangels Butler & Marmaro LLP

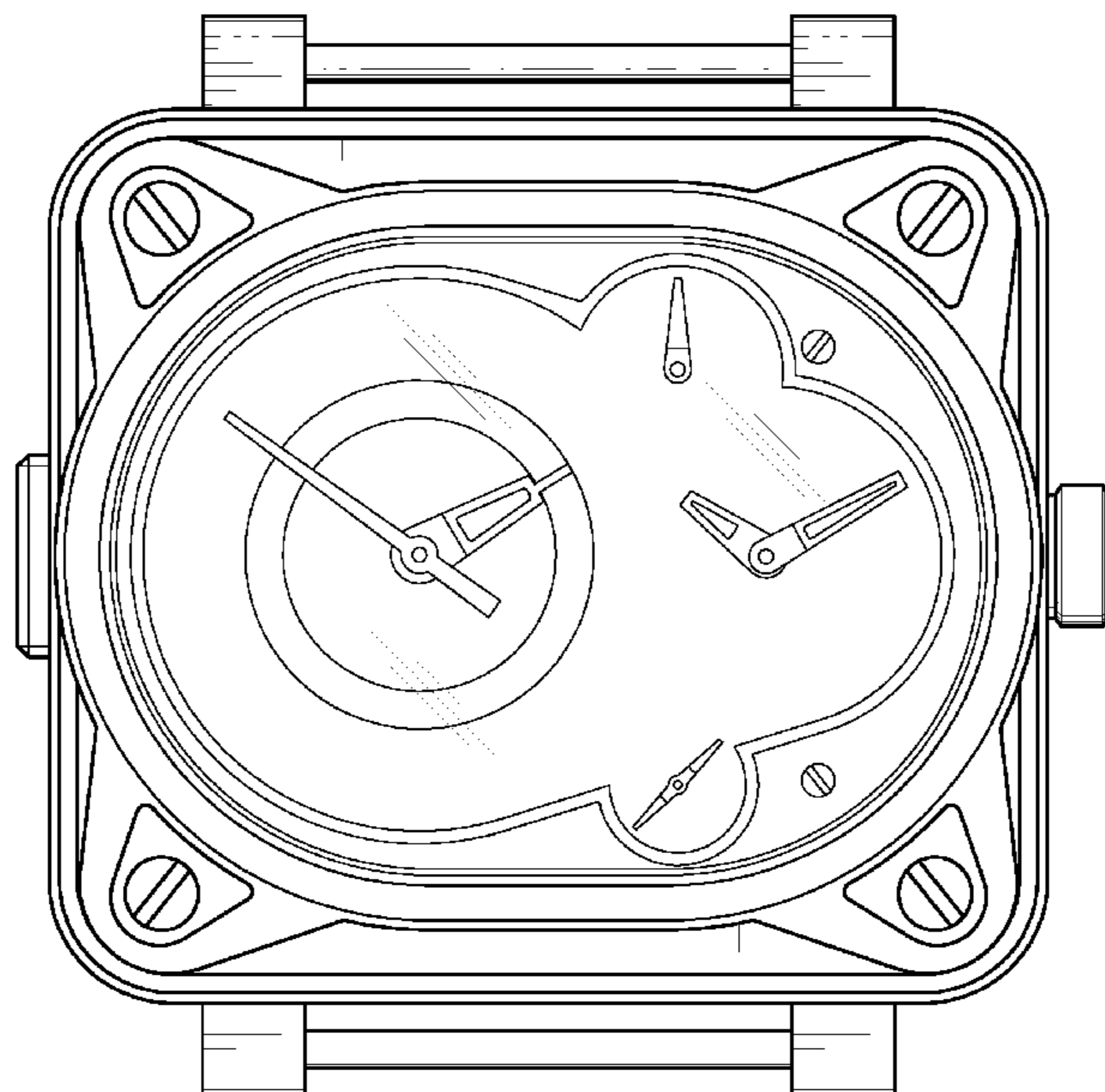
(57) **CLAIM**

The ornamental design for a watch, as shown and described.

DESCRIPTION

FIG. 1 is a perspective view of the present invention;
 FIG. 2 is a front elevational view of the present invention shown in FIG. 1;
 FIG. 3 is a left side elevational view of the present invention shown in FIG. 1;
 FIG. 4 is a right side elevational view of the present invention shown in FIG. 1;
 FIG. 5 is a top plan view of the present invention shown in FIG. 1;
 FIG. 6 is a bottom plan view of the present invention shown in FIG. 1; and,
 FIG. 7 is a rear elevational view of the present invention shown in FIG. 1.

1 Claim, 5 Drawing Sheets



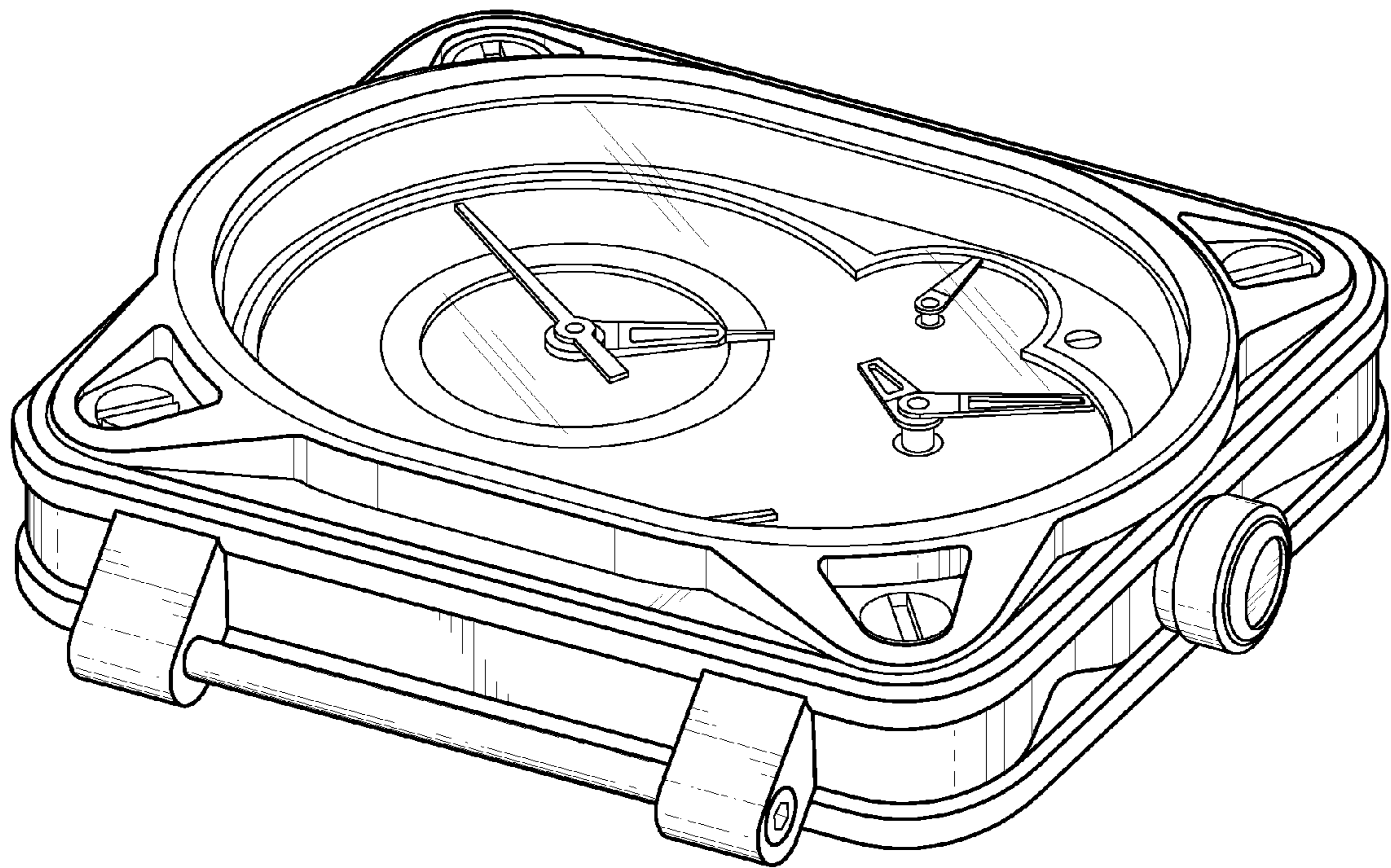


FIG. 1

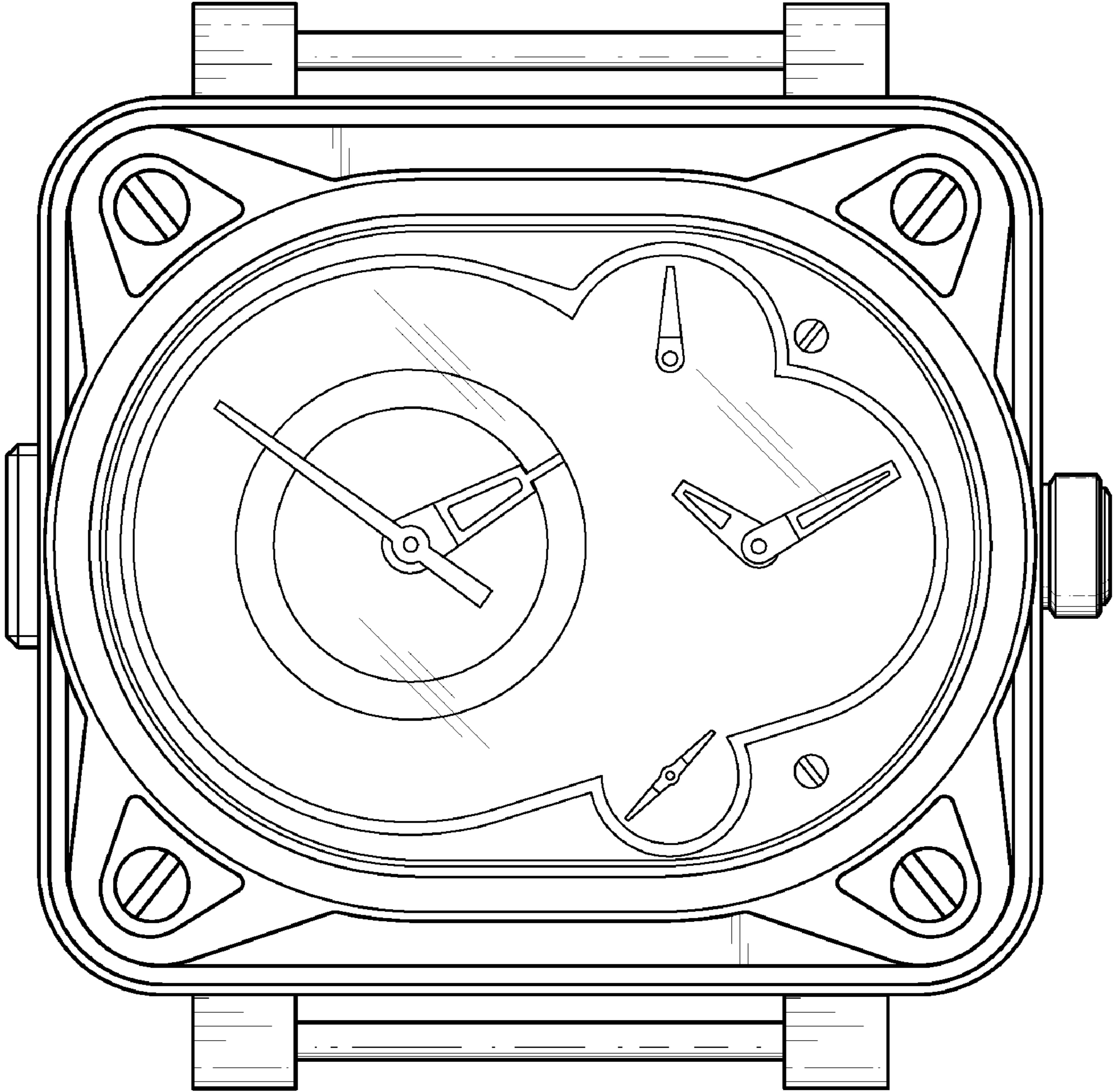


FIG. 2

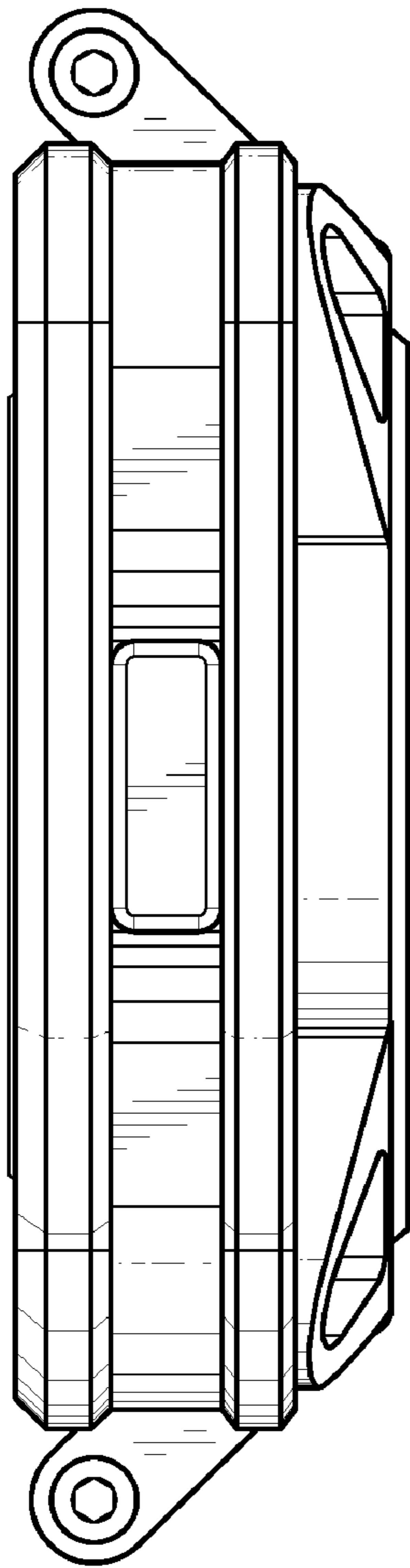


FIG. 3

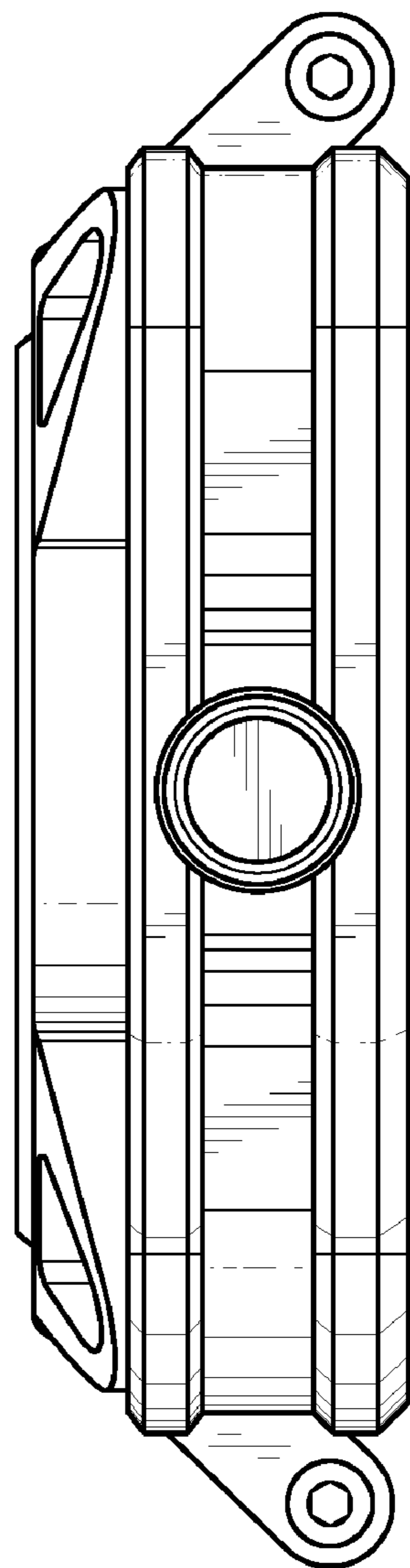


FIG. 4



FIG. 5

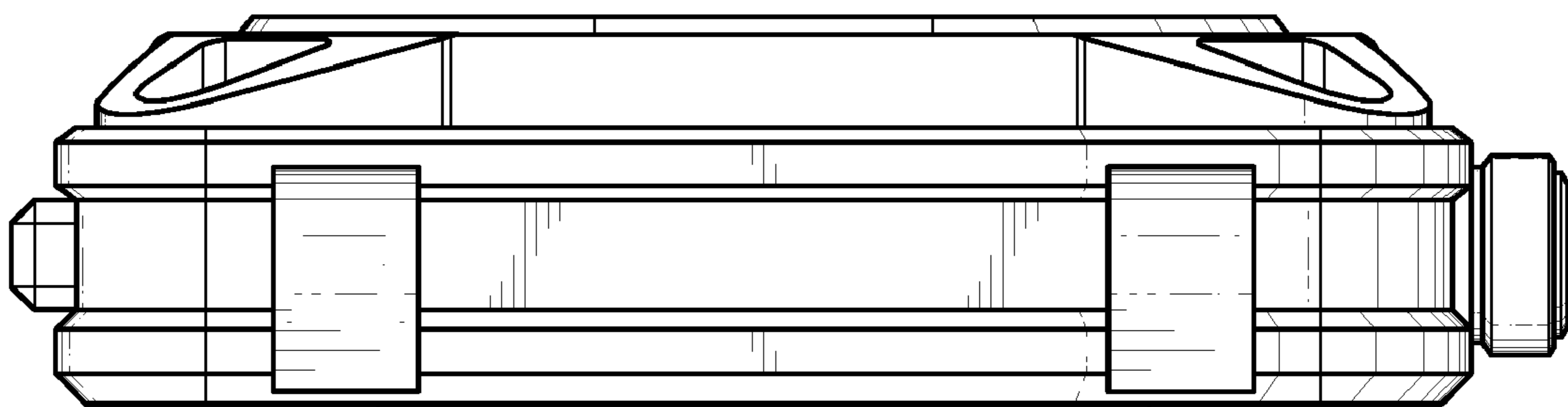


FIG. 6

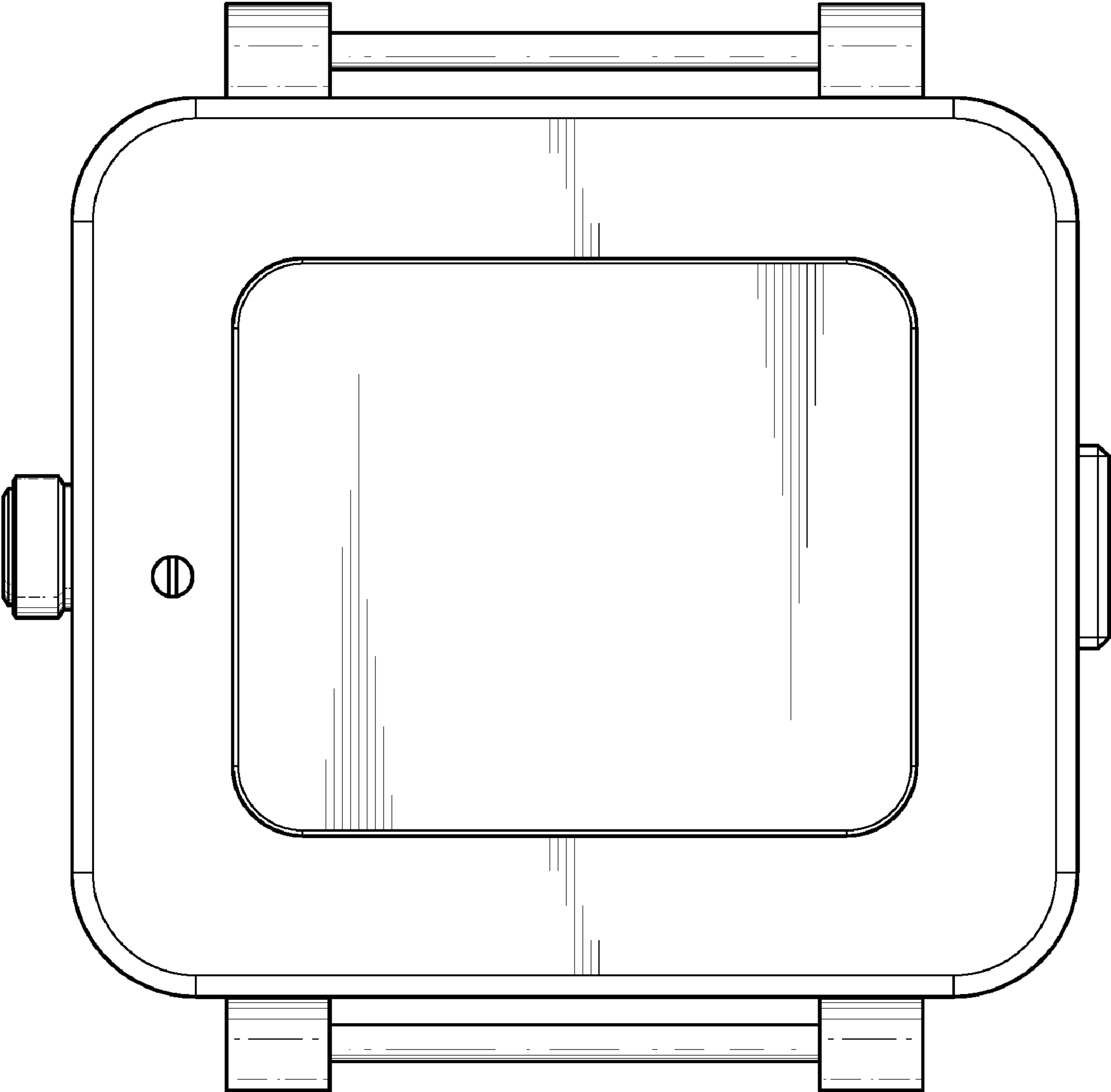


FIG. 7