



US00D585768S

(12) **United States Design Patent**
Loth

(10) **Patent No.:** **US D585,768 S**
(45) **Date of Patent:** **** Feb. 3, 2009**

(54) **WRISTWATCH**

(75) Inventor: **Eric A. Loth**, La Chaux-de-Fonds (CH)

(73) Assignee: **The British Masters SA**, La Chaux-De-Fonds (CH)

(**) Term: **14 Years**

(21) Appl. No.: **29/287,377**

(22) Filed: **Jul. 31, 2007**

(30) **Foreign Application Priority Data**

Apr. 10, 2007 (CH) 133864

(51) **LOC (9) Cl.** **10-02**

(52) **U.S. Cl.** **D10/39**

(58) **Field of Classification Search** D10/30-39,
D10/122-132; 368/276, 281, 282, 285, 308,
368/319, 28, 80, 223, 228, 232, 294, 295,
368/288; D11/3

See application file for complete search history.

(56) **References Cited**

U.S. PATENT DOCUMENTS

- D195,421 S * 6/1963 Hueguenin D10/39
- 3,427,800 A * 2/1969 Blum 368/223
- 3,503,203 A * 3/1970 Gruner et al. 368/21
- D306,981 S * 4/1990 Bettelini D11/3
- D357,192 S * 4/1995 Schneider D10/32
- 5,469,410 A * 11/1995 Berney 368/28
- D391,176 S * 2/1998 Bulgari D10/39
- 6,200,019 B1 * 3/2001 Latini 368/289
- D447,063 S * 8/2001 Scheufele D10/30
- D447,427 S * 9/2001 Finazzi D10/39
- D447,705 S * 9/2001 Scheufele D10/39

- D452,175 S * 12/2001 Finazzi D10/39
- D457,817 S * 5/2002 Brandt D10/39
- D459,241 S * 6/2002 Bodino D10/32
- D460,002 S * 7/2002 Wunderman D10/32
- D464,274 S * 10/2002 Strasser D10/32
- 6,679,624 B1 * 1/2004 Mouawad 368/216
- D520,384 S * 5/2006 Scheufele D10/39
- D533,090 S * 12/2006 Bajulaz D10/39
- D533,468 S * 12/2006 Loth D10/32
- D536,996 S * 2/2007 Loth D10/32
- D538,184 S * 3/2007 Scheufele D10/39
- D540,195 S * 4/2007 Nussbaumer D10/31

* cited by examiner

Primary Examiner—Lucy Lieberman

(74) *Attorney, Agent, or Firm*—Sughrue Mion, PLLC

(57) **CLAIM**

The ornamental design for a wristwatch, as shown and described.

DESCRIPTION

FIG. 1 is a perspective view of the front and right side of a wristwatch showing my new design;

FIG. 2 is a front elevational view thereof;

FIG. 3 is a rear elevational view thereof;

FIG. 4 is a right side elevational view thereof;

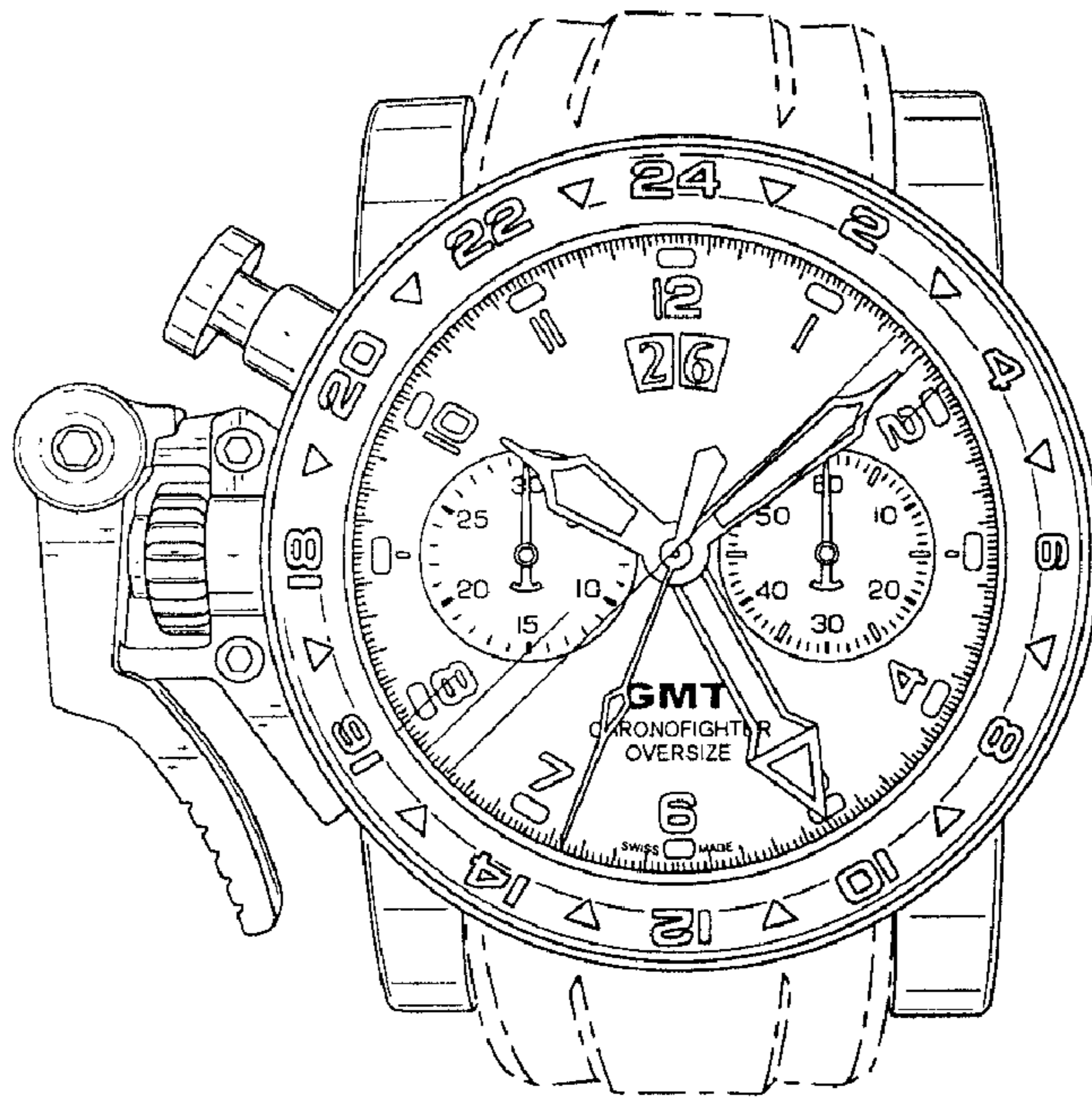
FIG. 5 is a top plan view thereof;

FIG. 6 is a left side elevation thereof; and,

FIG. 7 is a bottom plan view thereof.

The broken lines shown in the drawing are for illustrative purposes only and form no part of the claimed design.

1 Claim, 2 Drawing Sheets



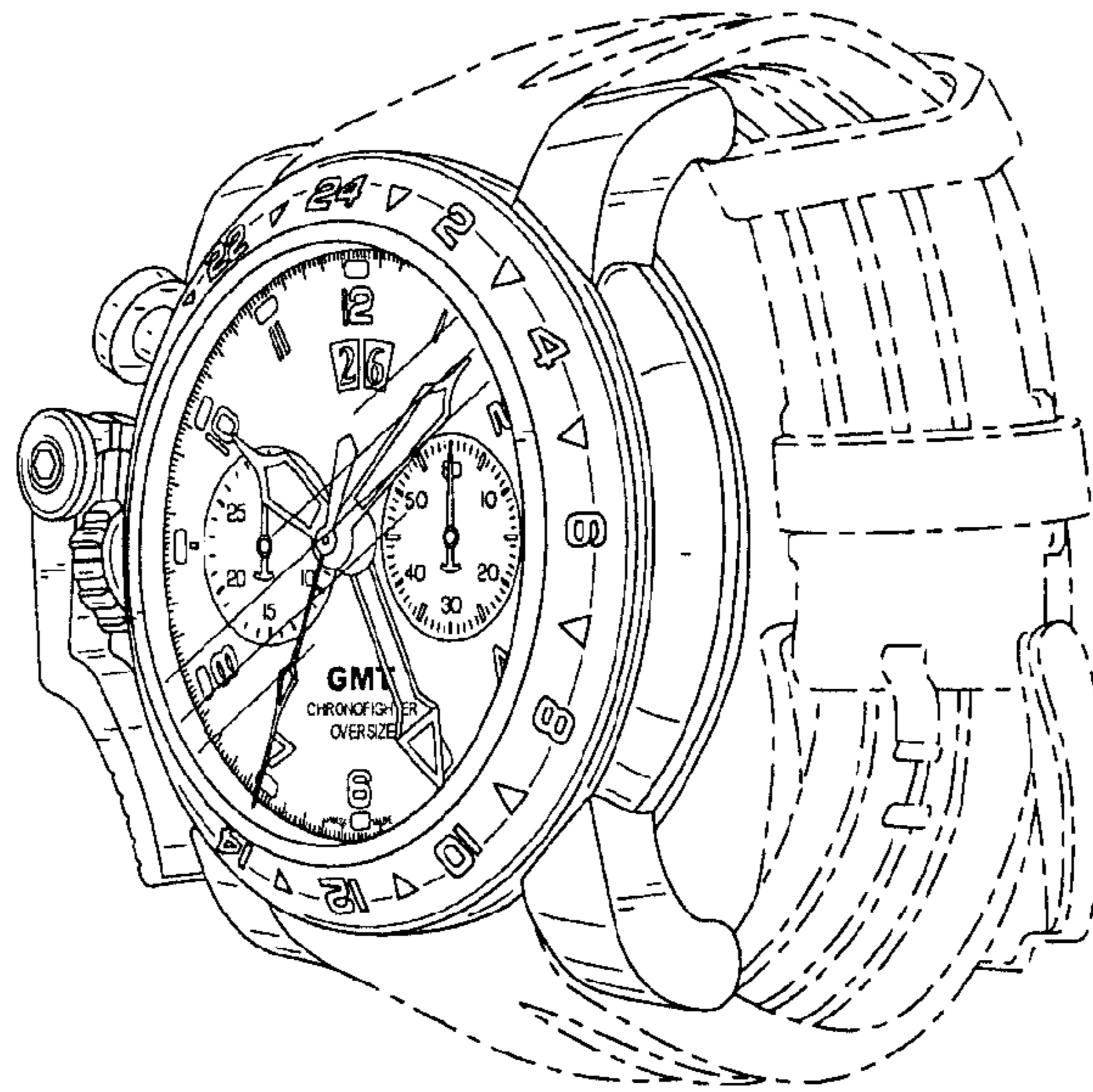


FIG. 1

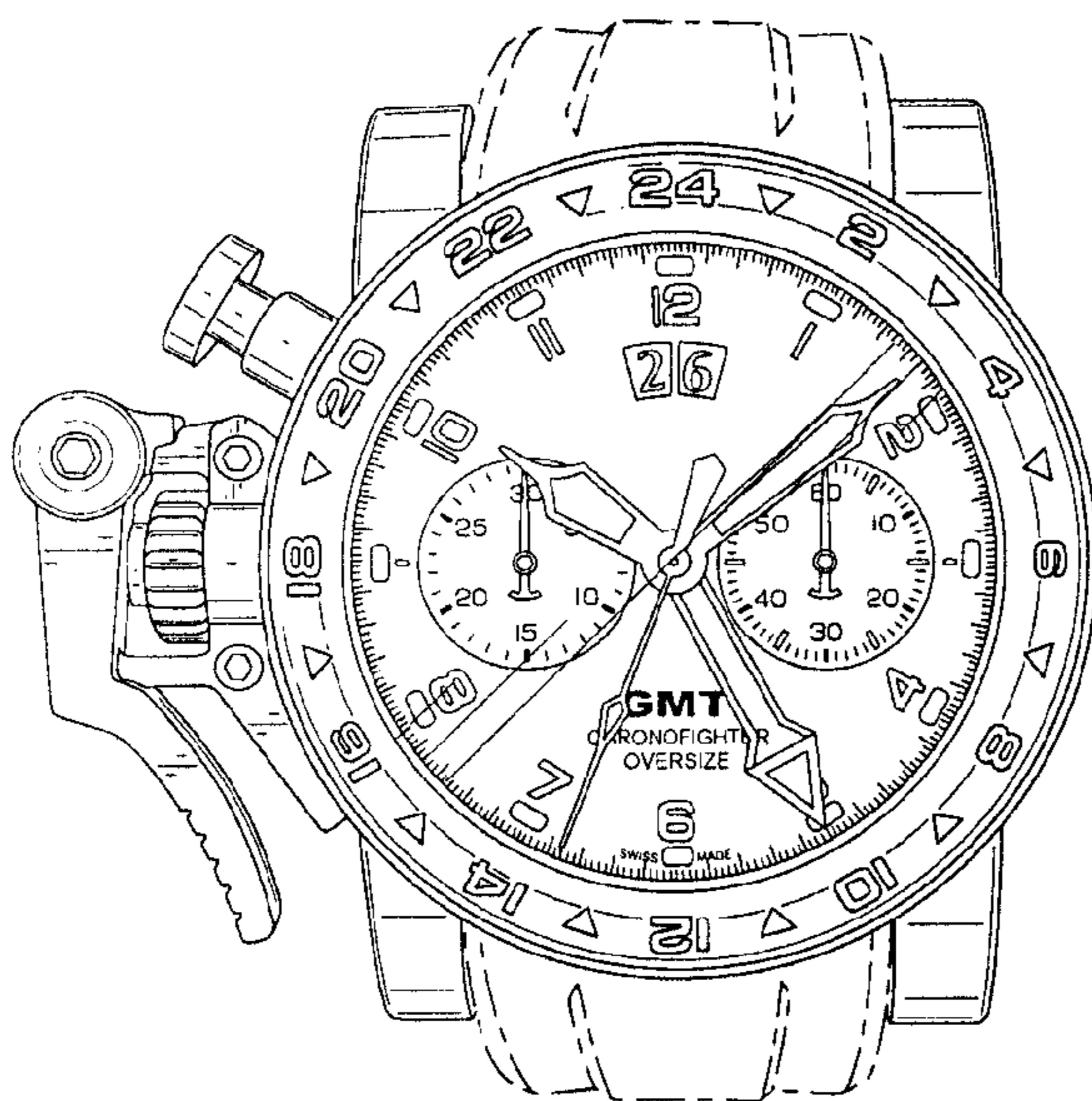


FIG. 2

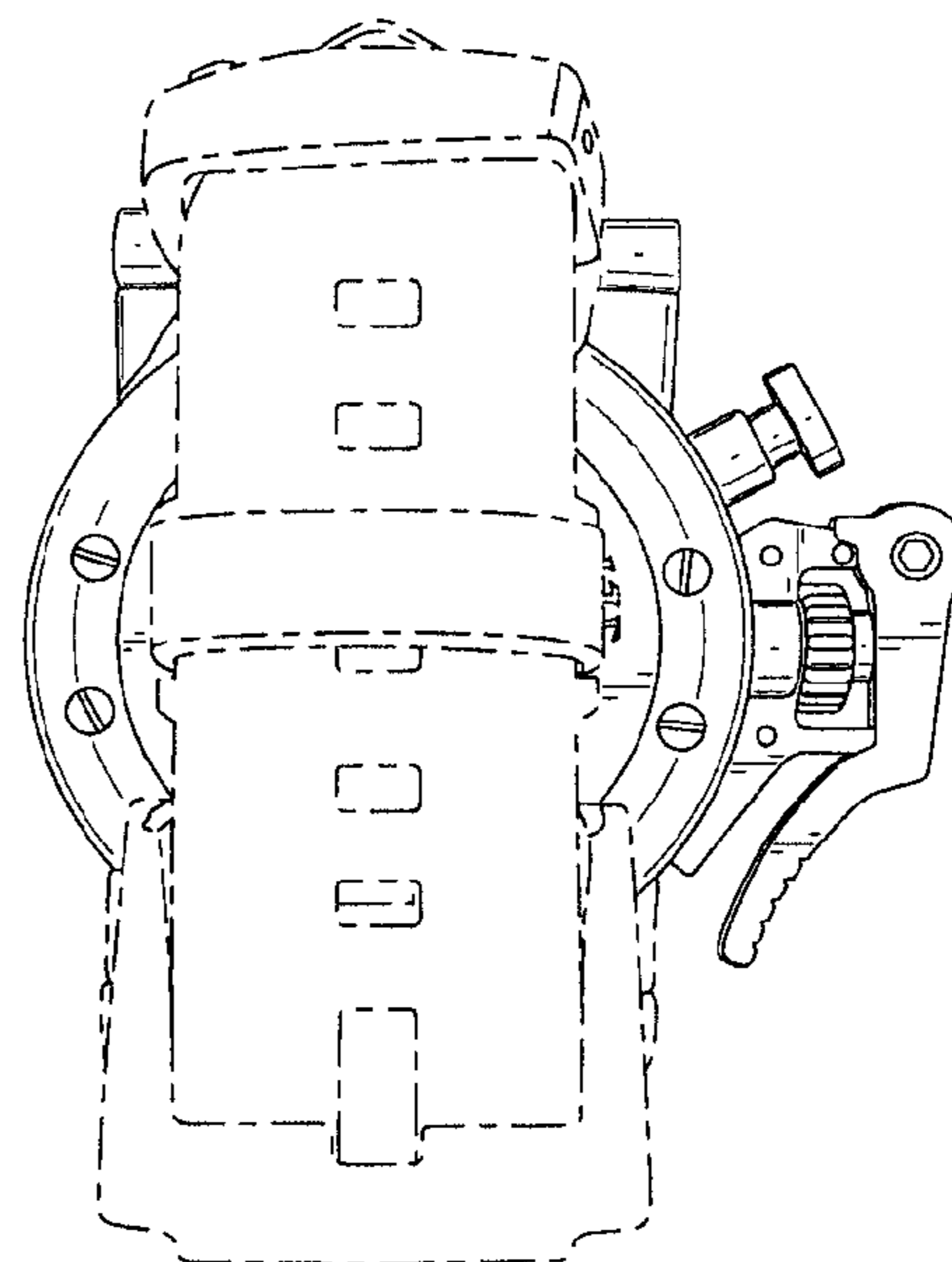


FIG. 3

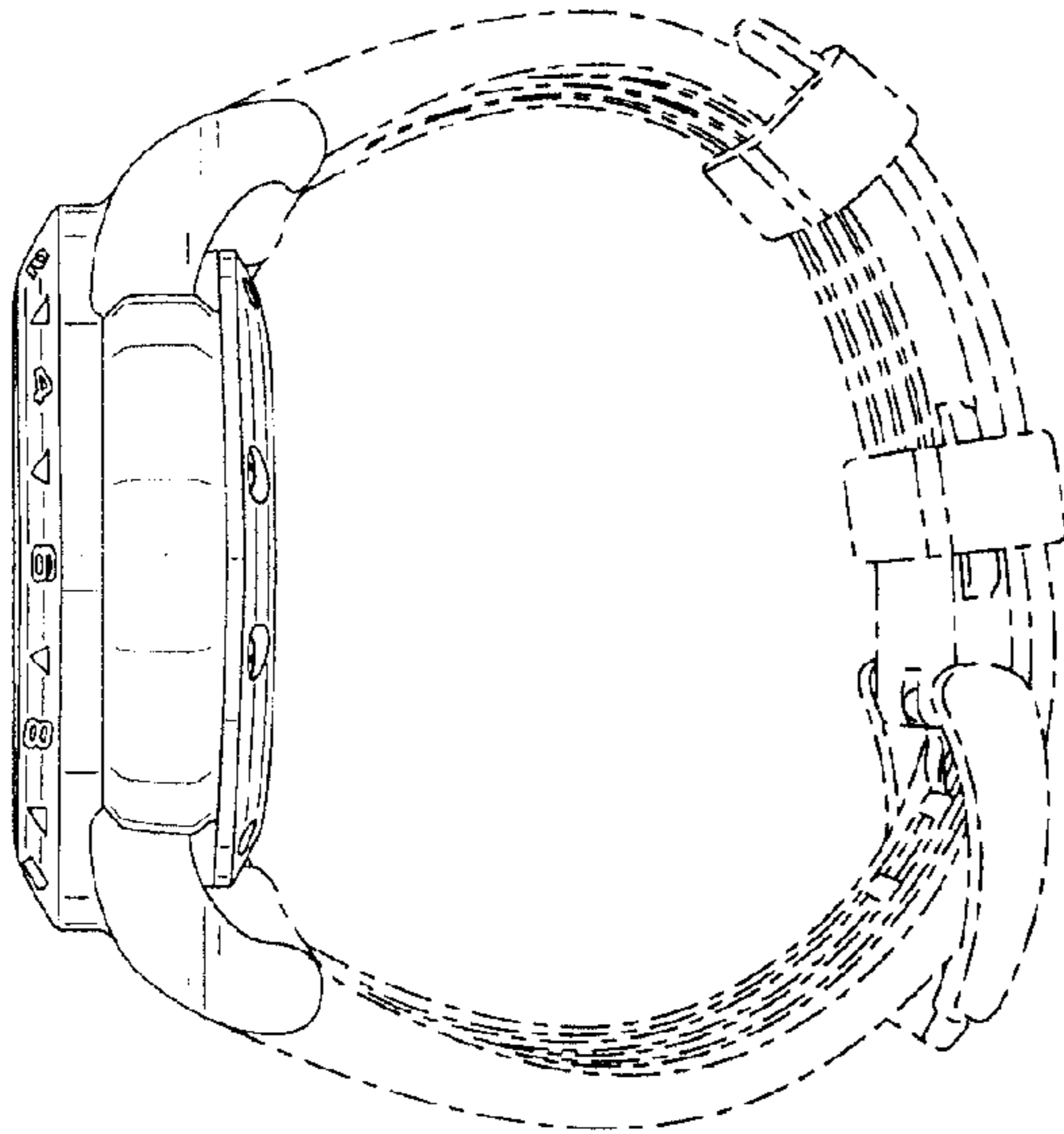


FIG. 4

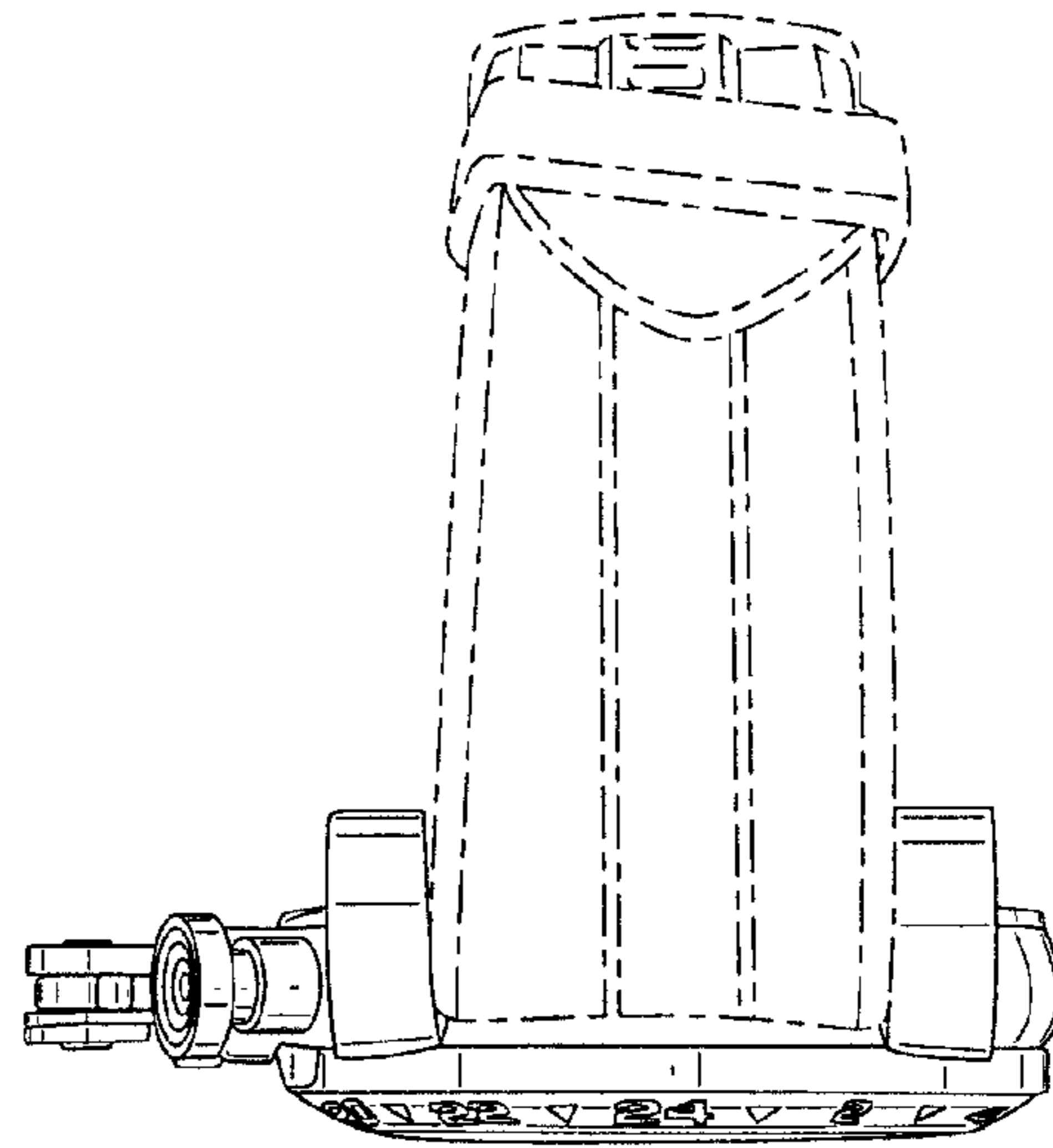


FIG. 5

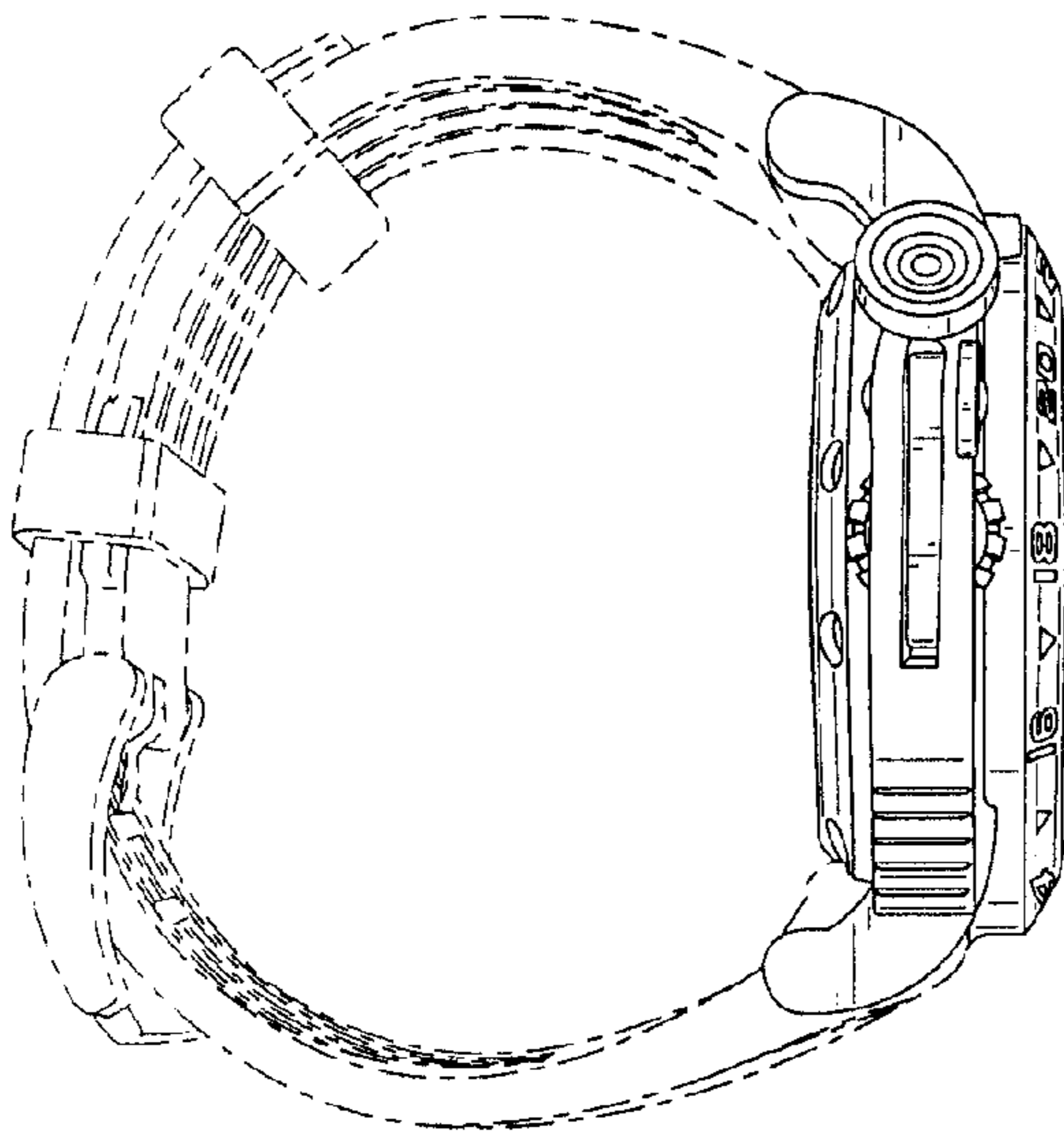


FIG. 6

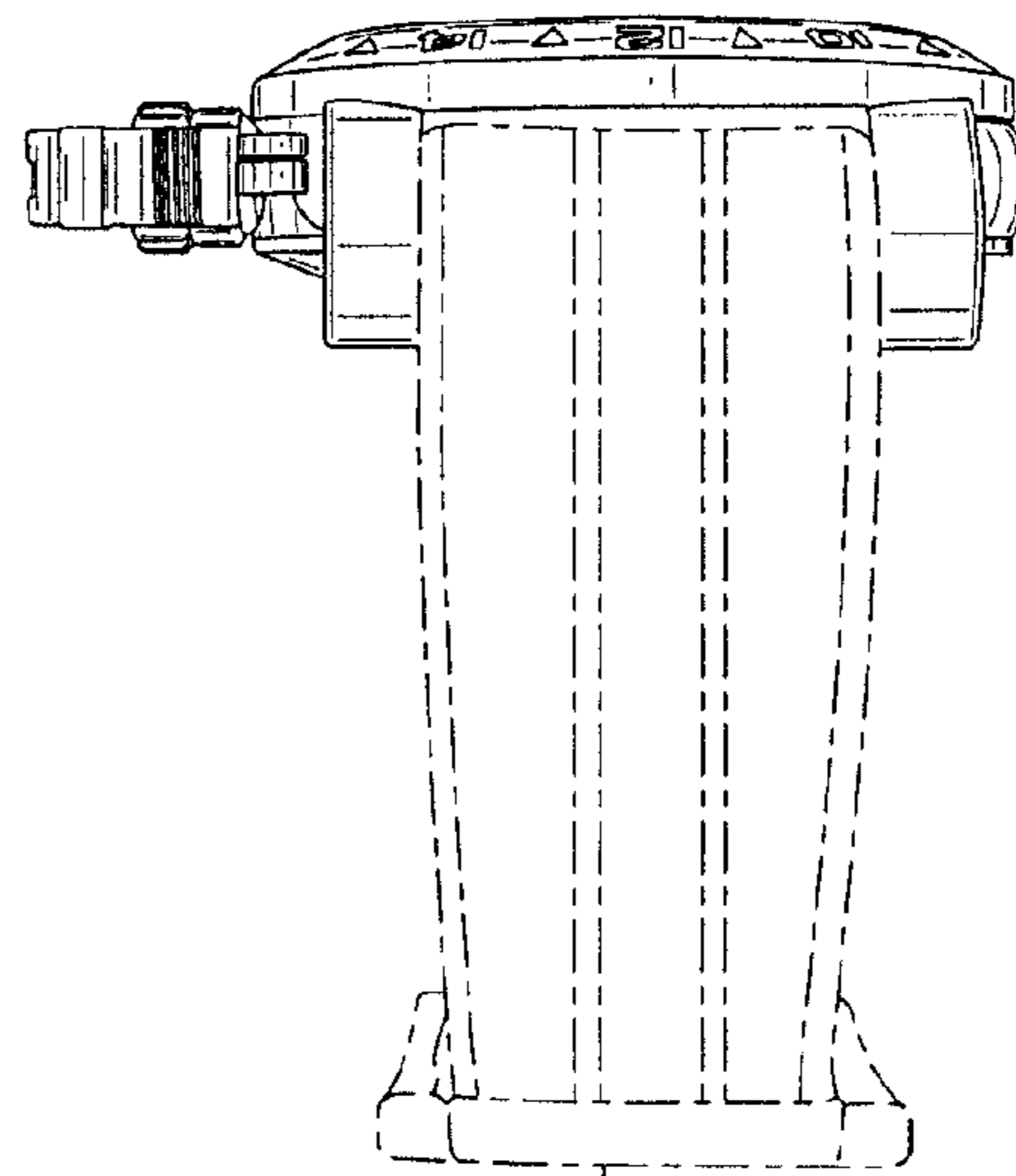


FIG. 7