



US00D585766S

(12) **United States Design Patent**
Fernie et al.

(10) **Patent No.:** **US D585,766 S**
(45) **Date of Patent:** **** Feb. 3, 2009**

(54) **ALARM CLOCK**

D450,598 S * 11/2001 Chan D10/4
D500,296 S * 12/2004 Zeitman D14/144
D525,880 S * 8/2006 Okamura D10/2

(75) Inventors: **Douglas Fernie**, Cambridge (GB);
Richard J. Andrews, Norwich (GB)

* cited by examiner

(73) Assignee: **Outside In (Cambridge) Ltd.**,
Cambridge, Cambridgeshire (GB)

Primary Examiner—Lucy Lieberman
(74) *Attorney, Agent, or Firm*—Knobbe Martens Olson &
Bear, LLP

(**) Term: **14 Years**

(21) Appl. No.: **29/298,864**

(57) **CLAIM**

(22) Filed: **Dec. 13, 2007**

The ornamental design for an alarm clock, as shown and described.

(51) **LOC (9) Cl.** **10-01**

DESCRIPTION

(52) **U.S. Cl.** **D10/15; D10/21**

(58) **Field of Classification Search** D10/1–29;
368/250, 276, 316, 317; D14/170, 171
See application file for complete search history.

FIG. 1 is a top, front and right side perspective view of an alarm clock showing our new design;

(56) **References Cited**

U.S. PATENT DOCUMENTS

D97,453 S * 11/1935 Bars D10/1
D190,749 S * 6/1961 Marti D10/1
D238,170 S * 12/1975 Schmidt D19/60
D240,270 S * 6/1976 Kawano D14/171
D245,198 S * 7/1977 Terada et al. D14/171
D276,703 S * 12/1984 Au D10/15
D347,182 S * 5/1994 Wada D10/28
D384,957 S * 10/1997 Lee D14/171
D450,049 S * 11/2001 Lacotta et al. D14/171

FIG. 2 is a front elevational view of the alarm clock of FIG. 1;

FIG. 3 is a rear elevational view of the alarm clock of FIG. 1;

FIG. 4 is a left side elevation of the alarm clock;

FIG. 5 is a right side elevation of the alarm clock;

FIG. 6 is a top plan view of the alarm clock; and,

FIG. 7 is a bottom plan view of the alarm clock.

The broken lines of FIGS. 1–7 are for the purpose of illustrating structure of the alarm clock that form no part of the claimed design and that are unclaimed subject matter.

1 Claim, 6 Drawing Sheets

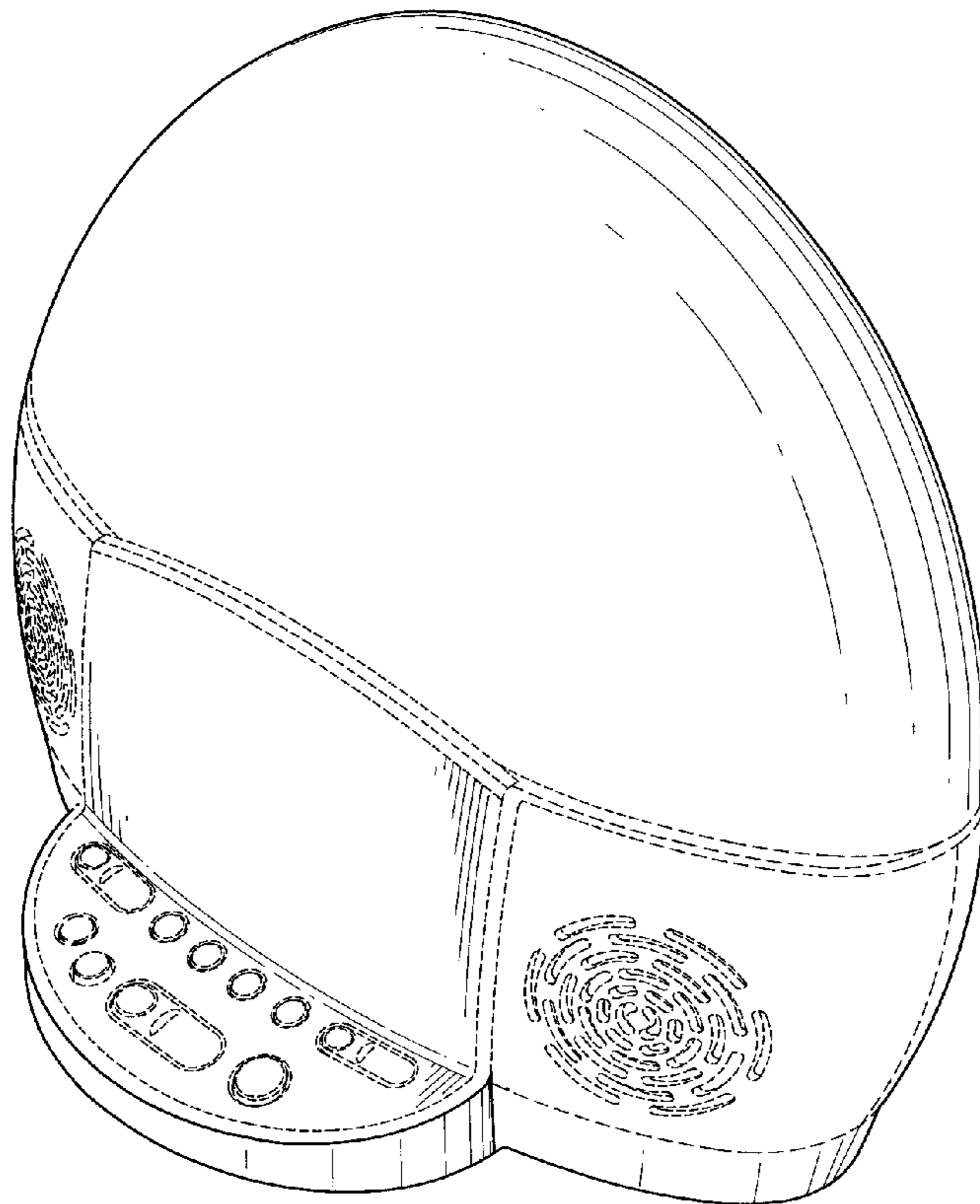
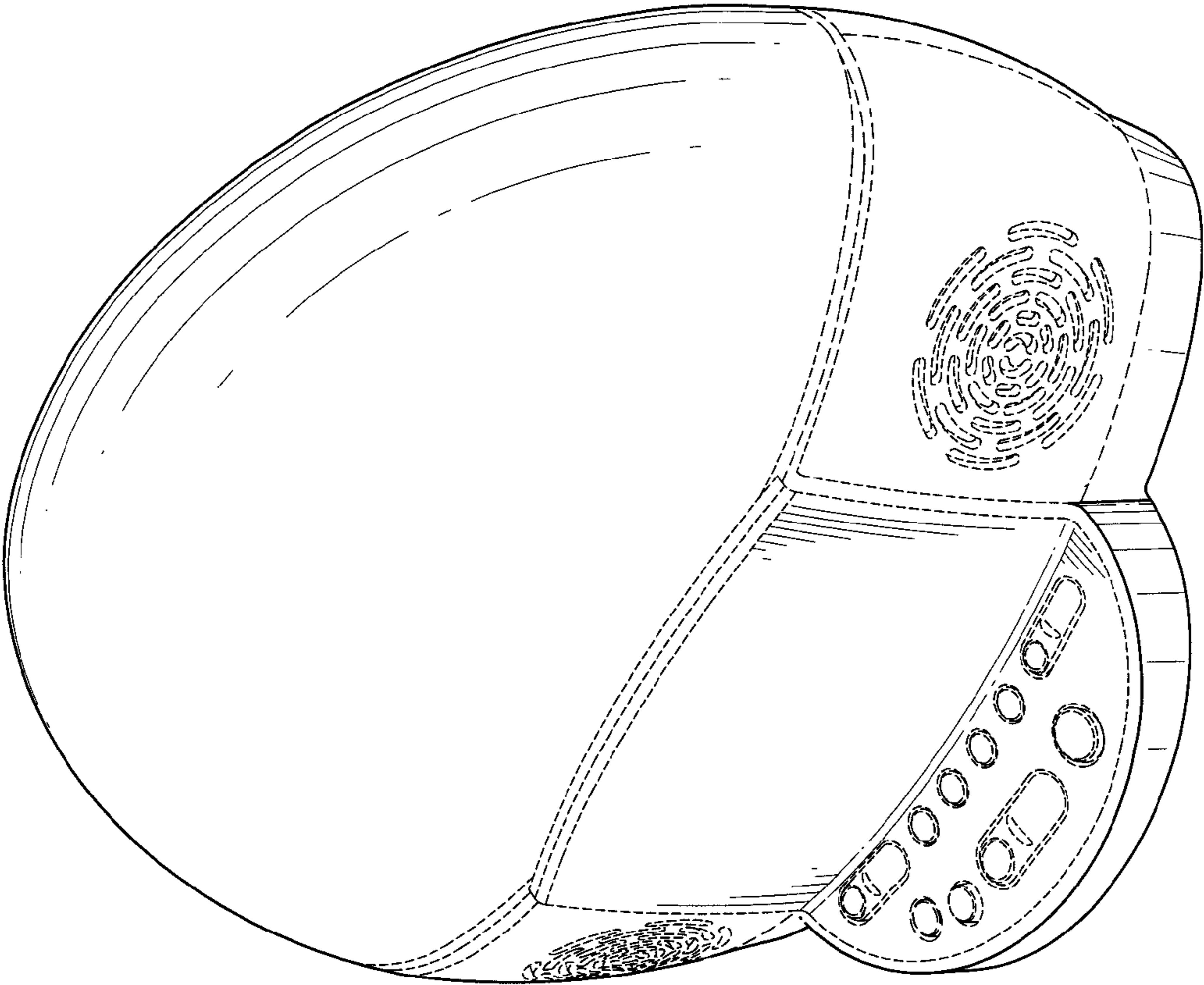


FIG. 1



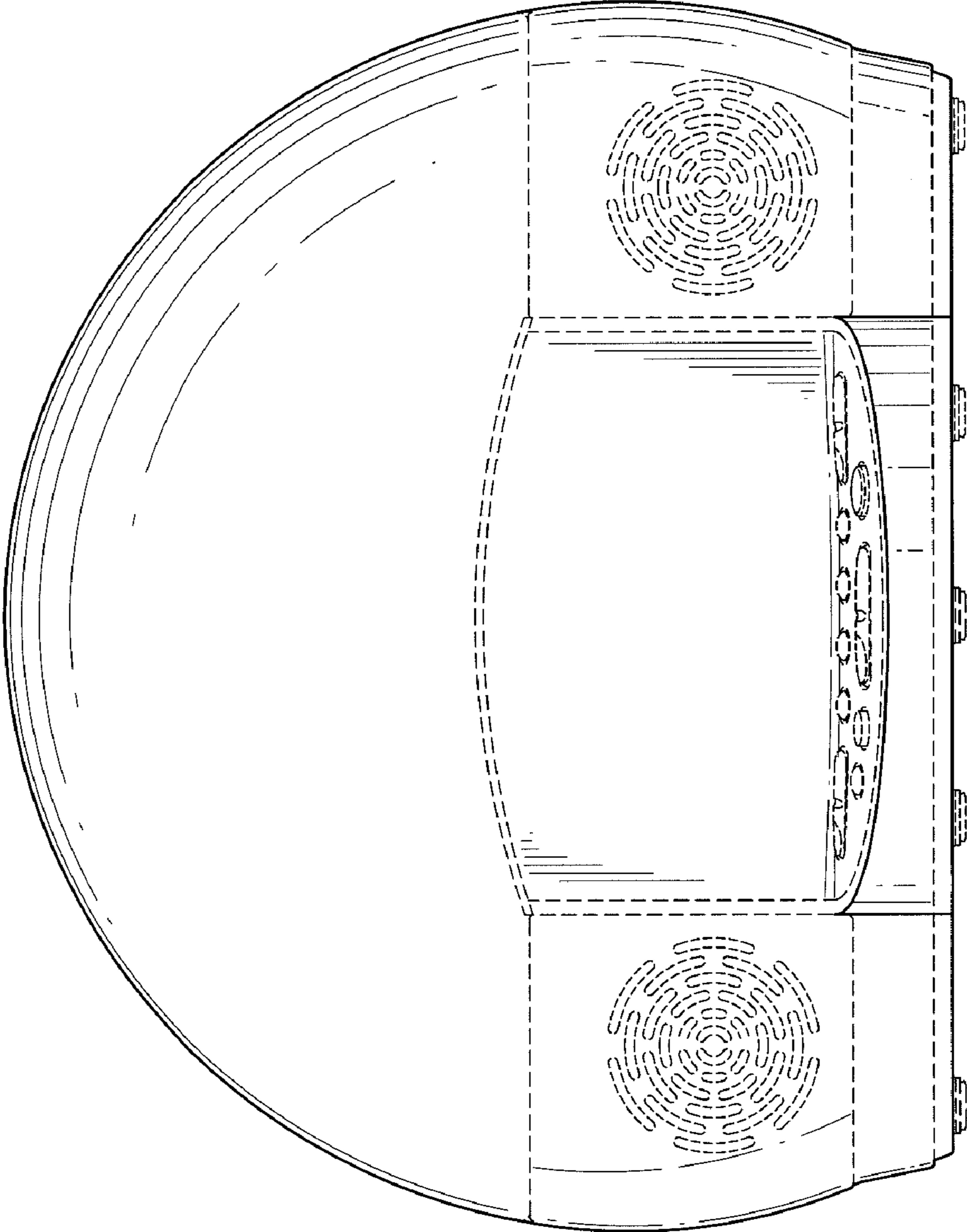


FIG. 2

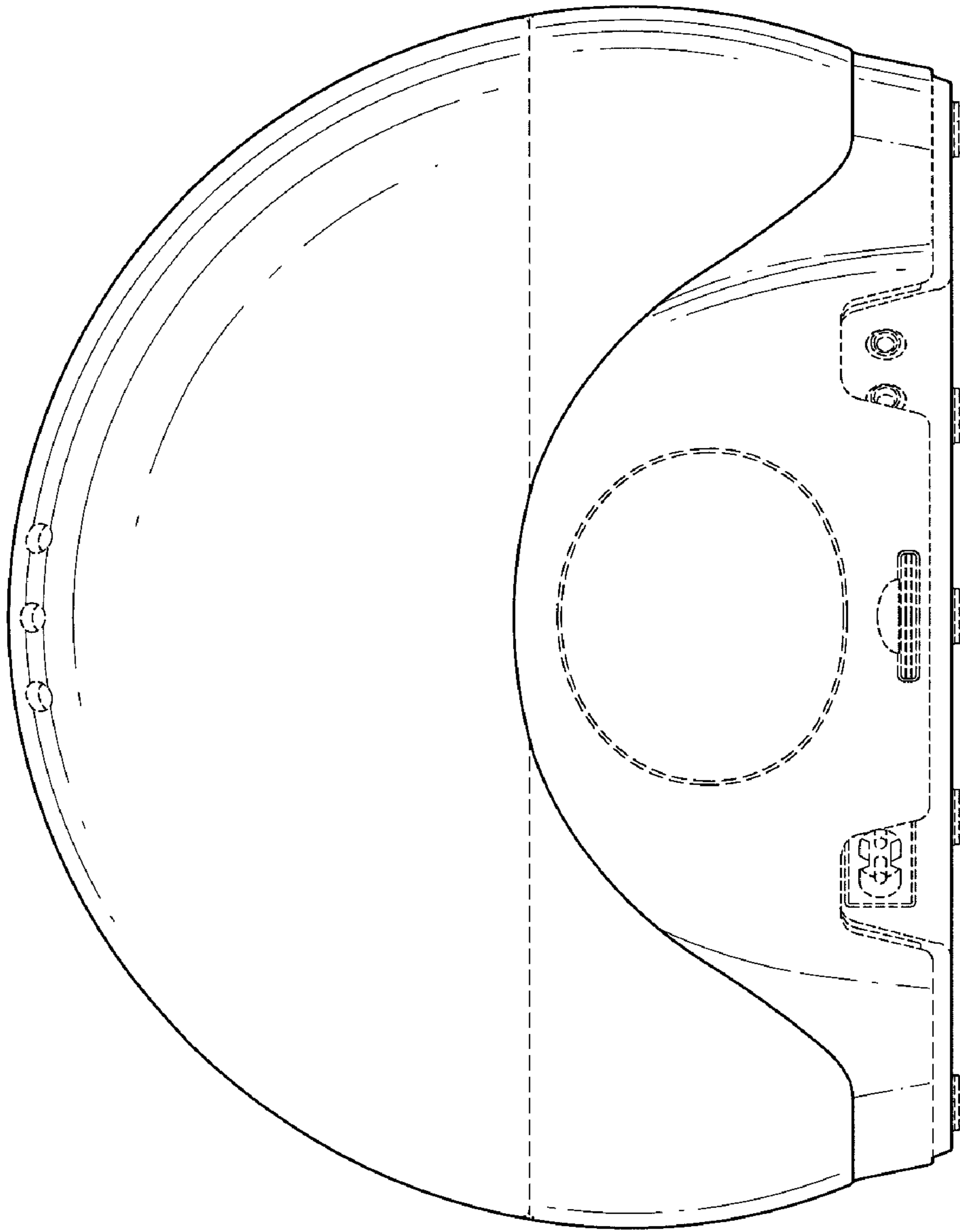


FIG. 3

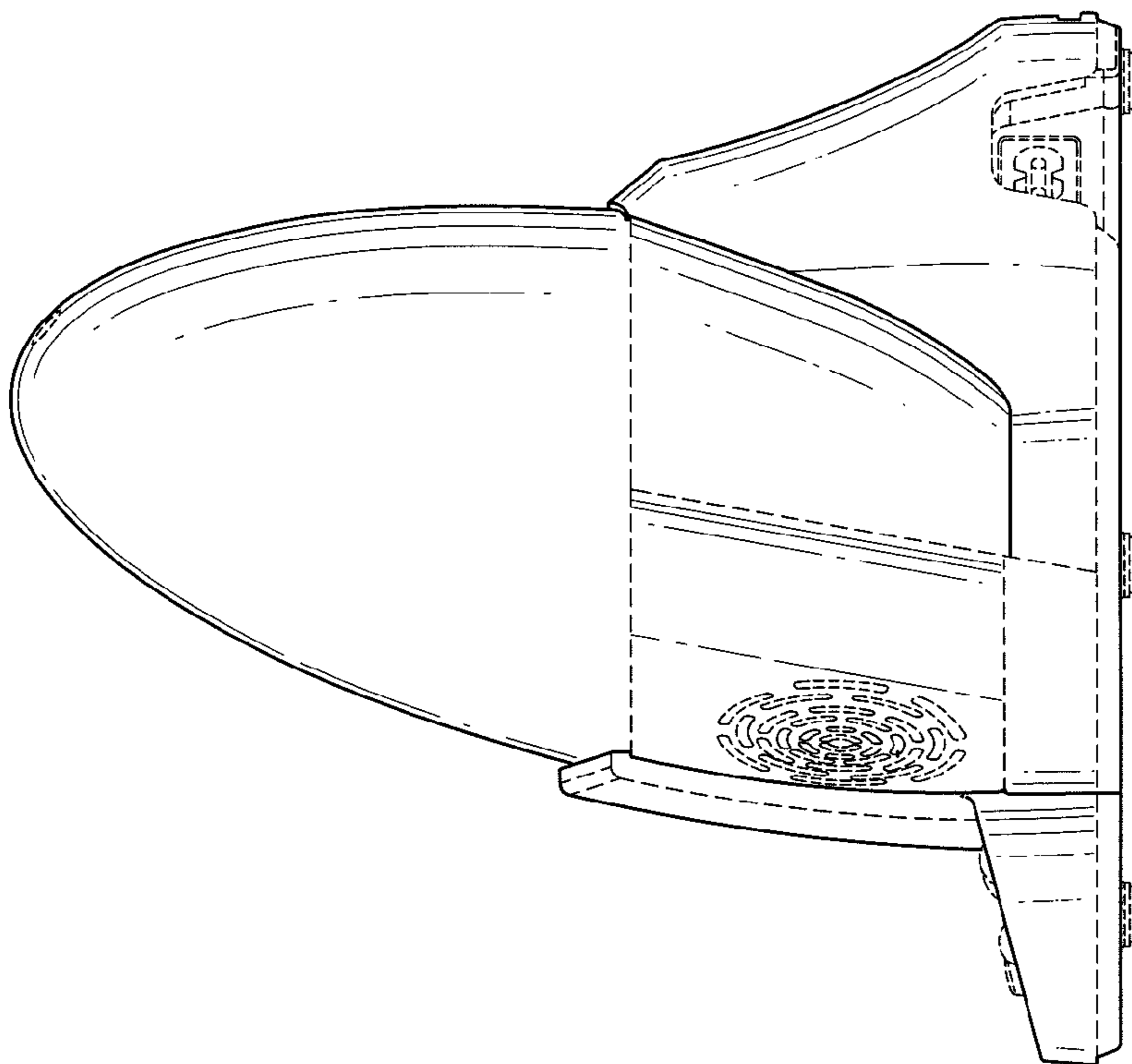


FIG. 5

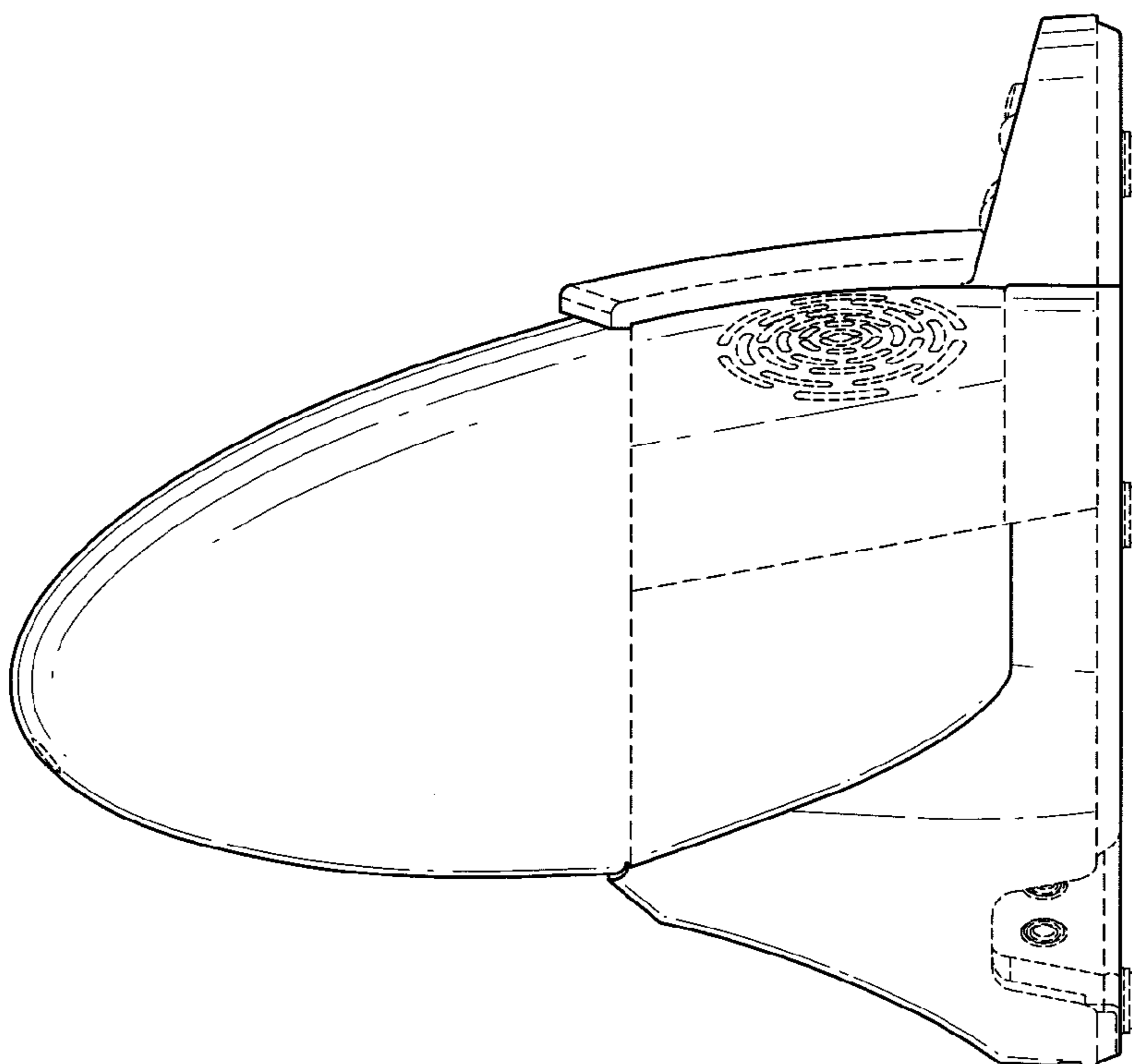


FIG. 4

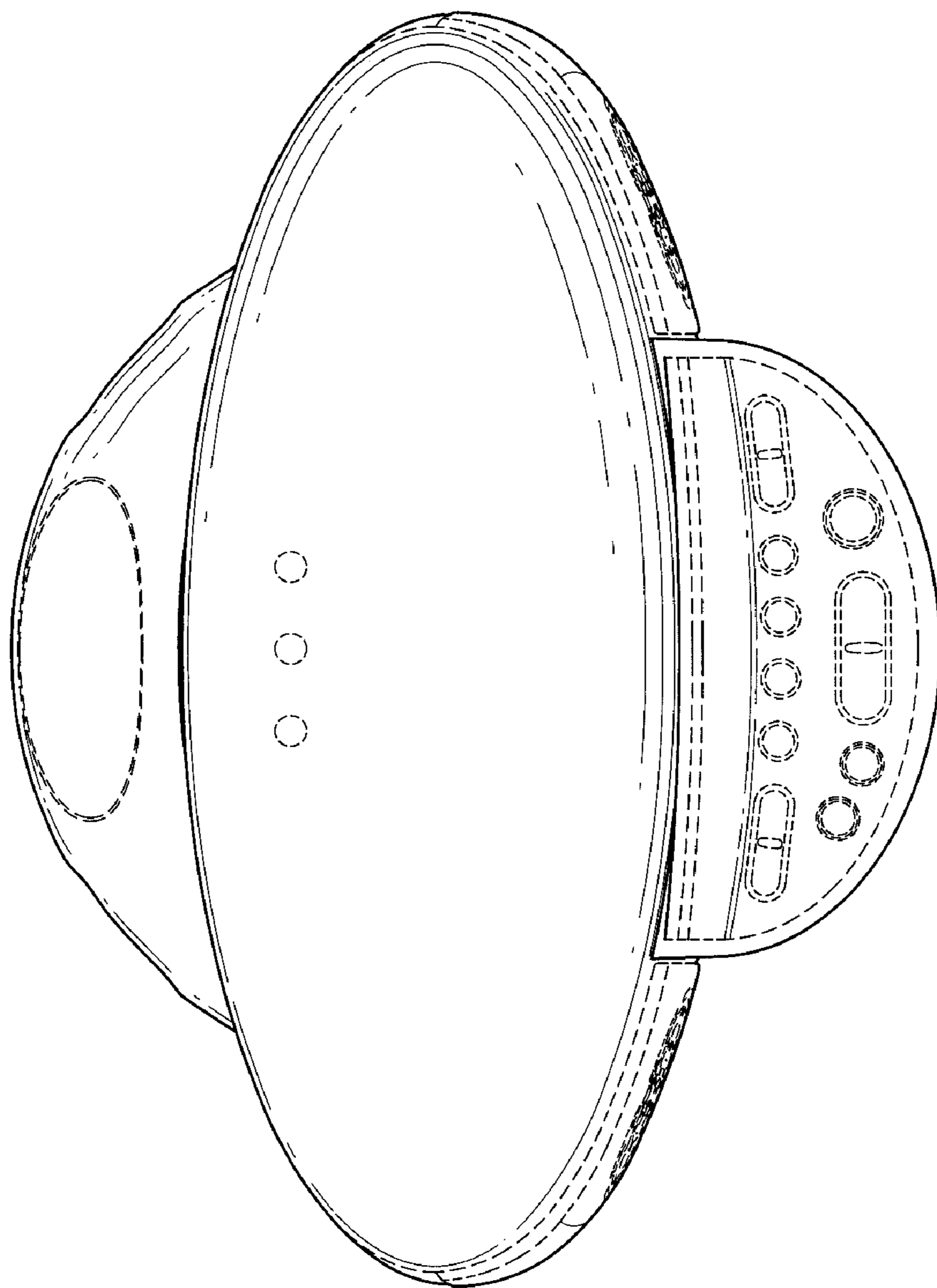


FIG. 6

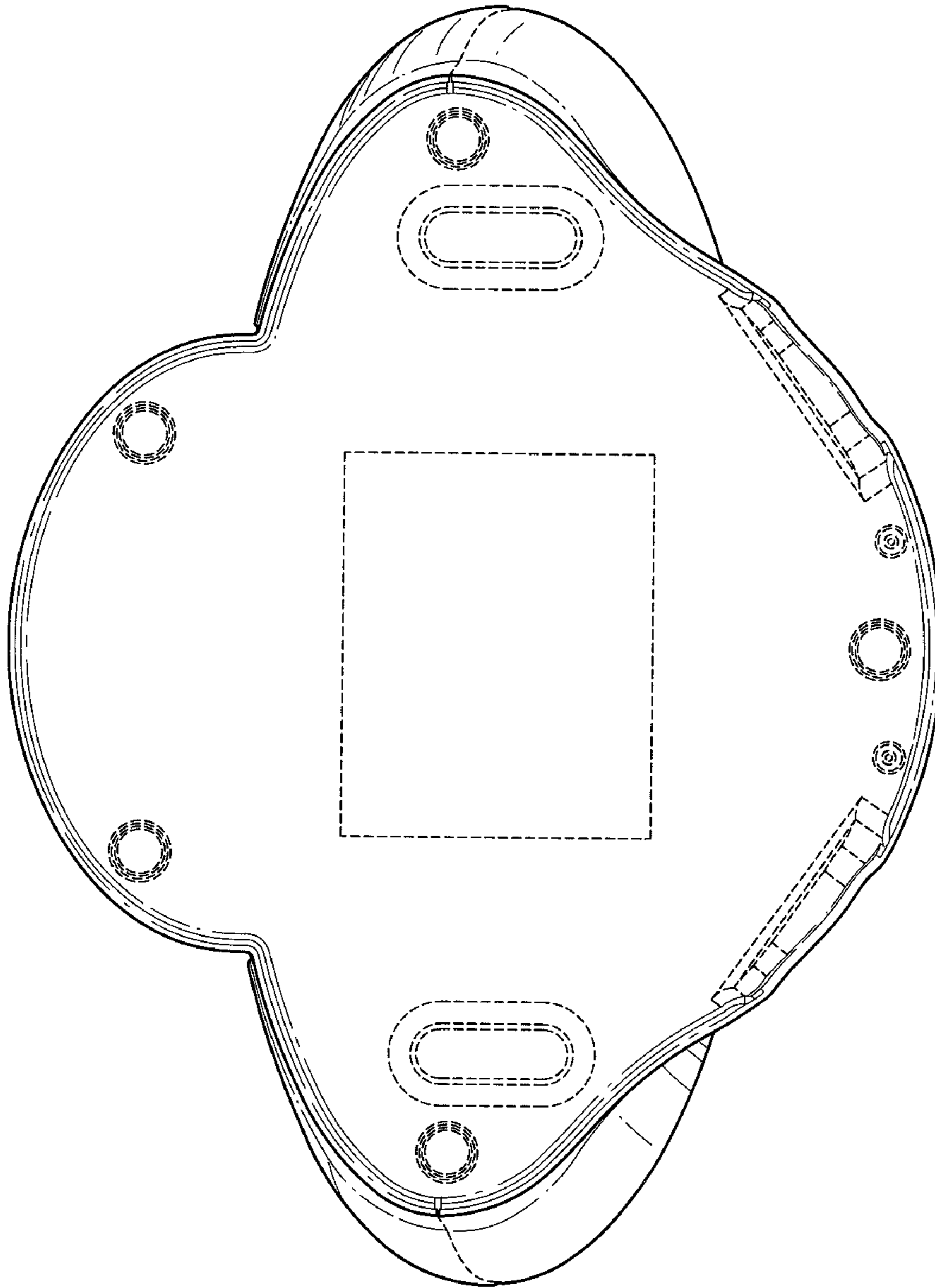


FIG. 7